



US00D905311S

(12) **United States Design Patent** (10) **Patent No.:** **US D905,311 S**
Smith et al. (45) **Date of Patent:** **** Dec. 15, 2020**

(54) **COMBINED TILTABLE SPOTLIGHT AND BASE**

(71) Applicant: **WHELEN ENGINEERING COMPANY, INC.**, Chester, CT (US)

(72) Inventors: **Kevin M. Smith**, Chester, CT (US);
David J. Sousa, Ivoryton, CT (US);
Sean Brown, Cromwell, CT (US);
Tomasz J. Walczak, Coventry, CT (US)

(73) Assignee: **WHELEN ENGINEERING COMPANY, INC.**, Chester, CT (US)

(**) Term: **15 Years**

(21) Appl. No.: **29/664,113**

(22) Filed: **Sep. 21, 2018**

Related U.S. Application Data

(63) Continuation-in-part of application No. 29/650,221, filed on Jun. 5, 2018.

(51) **LOC (12) Cl.** **26-03**

(52) **U.S. Cl.**
USPC **D26/63**

(58) **Field of Classification Search**
USPC D26/1, 24, 61, 63, 65, 110
CPC F21V 21/14; F21V 15/01; F21V 14/02;
F21V 21/30; F21V 14/00; F21S 8/00;
F21Y 2105/001

See application file for complete search history.

(56) **References Cited**

U.S. PATENT DOCUMENTS

D500,379 S *	12/2004	Kunzler	D26/63
D699,878 S *	2/2014	Quadri	D26/63
D788,964 S *	6/2017	Peard	D26/61
D821,012 S *	6/2018	Gong	D26/63
D859,715 S *	9/2019	Windom	D26/63

* cited by examiner

Primary Examiner — Brian N. Vinson

(74) *Attorney, Agent, or Firm* — Dilworth IP, LLC

(57) **CLAIM**

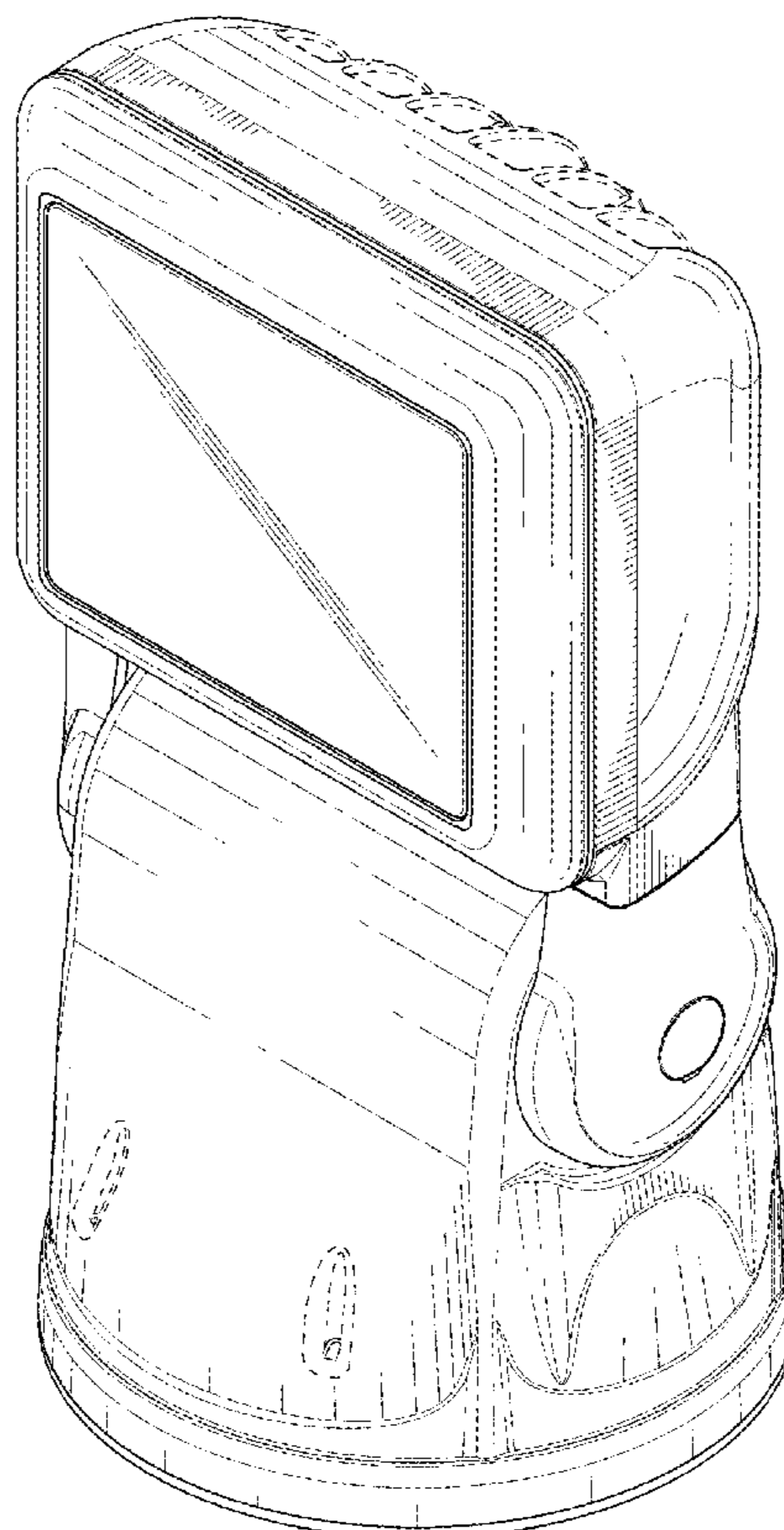
We claim the ornamental design for a combined tiltable spotlight and base, as shown and described.

DESCRIPTION

FIG. 1 is a perspective view of a combined tiltable spotlight and base showing our new design;
FIG. 2 is a front elevation view thereof;
FIG. 3 is a right-facing side elevation view thereof;
FIG. 4 is a left-facing side elevation view thereof;
FIG. 5 is a plan view thereof;
FIG. 6 is a rear elevation view thereof; and,
FIG. 7 is a rear perspective view thereof.

The broken line disclosure represents portions of the combined tiltable spotlight and base which form no part of the claimed design.

1 Claim, 7 Drawing Sheets



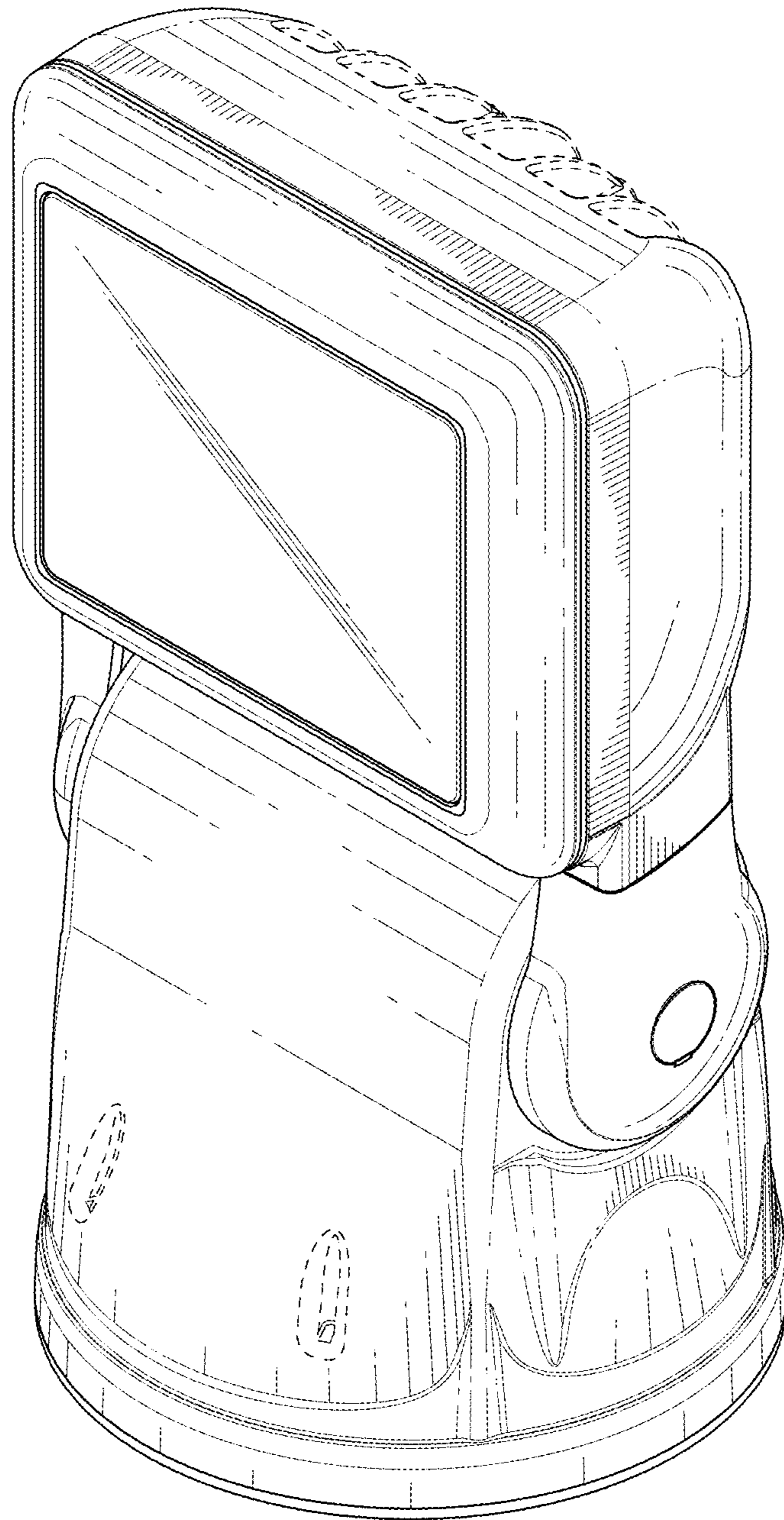


FIG. 1

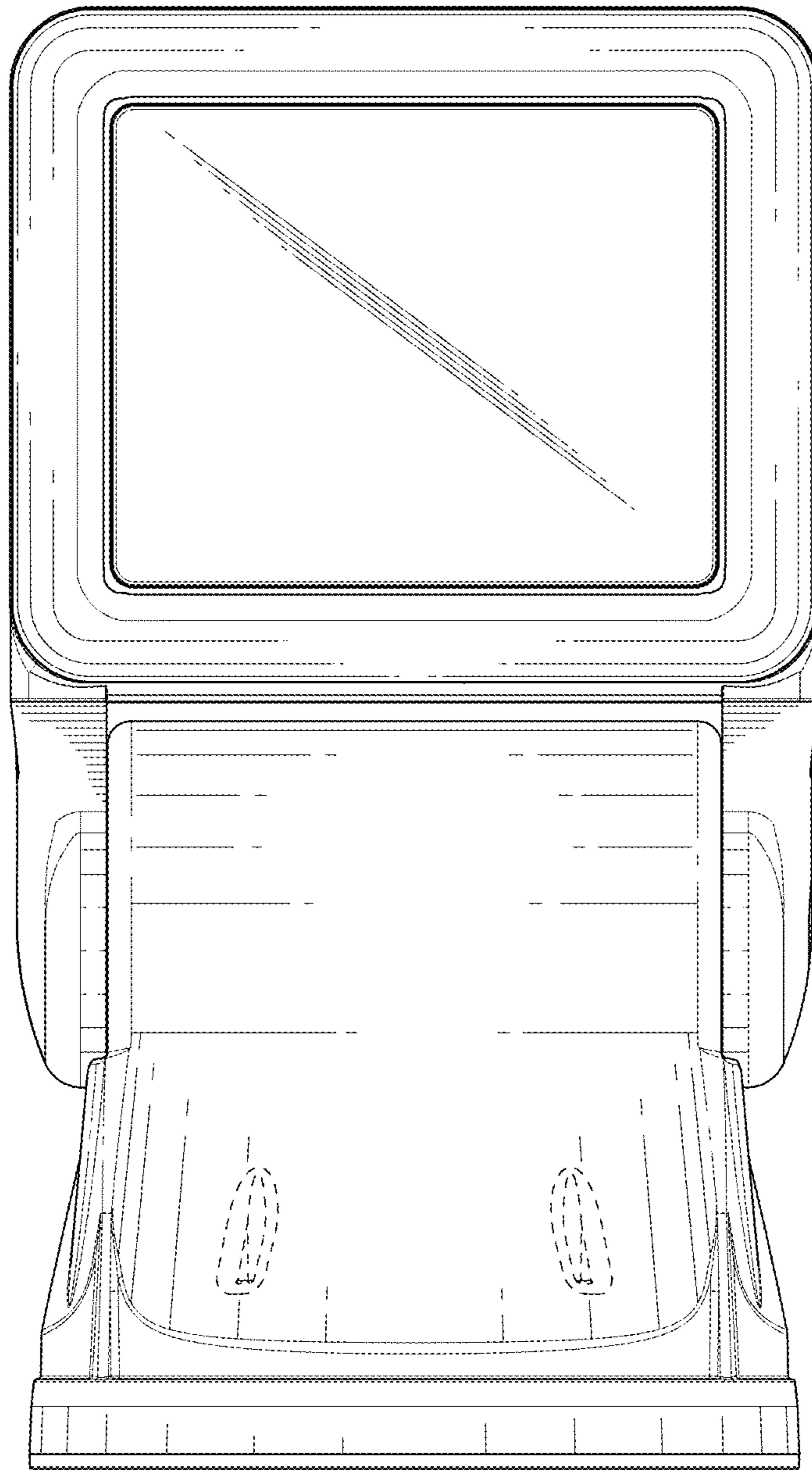


FIG. 2

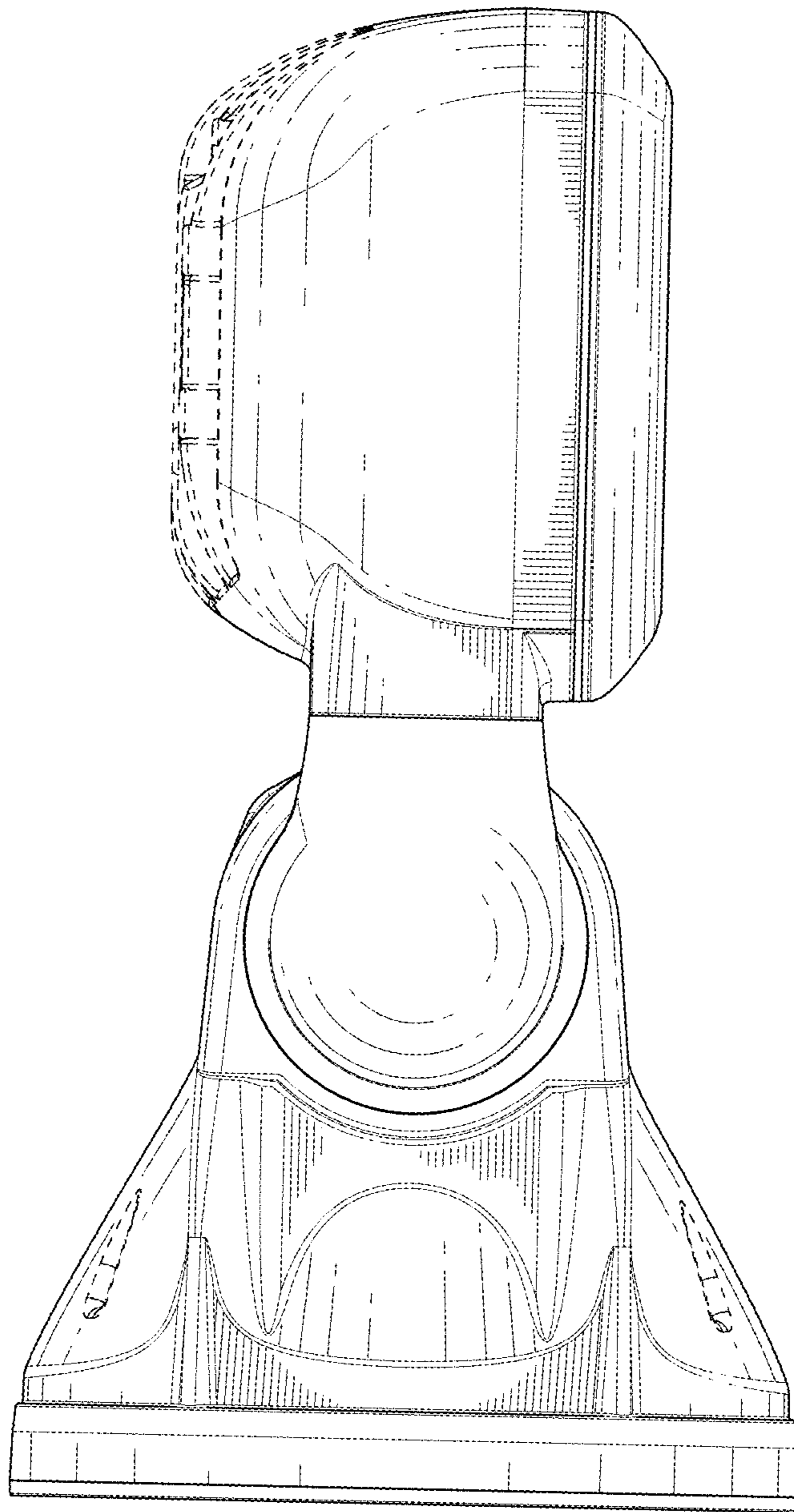


FIG. 3

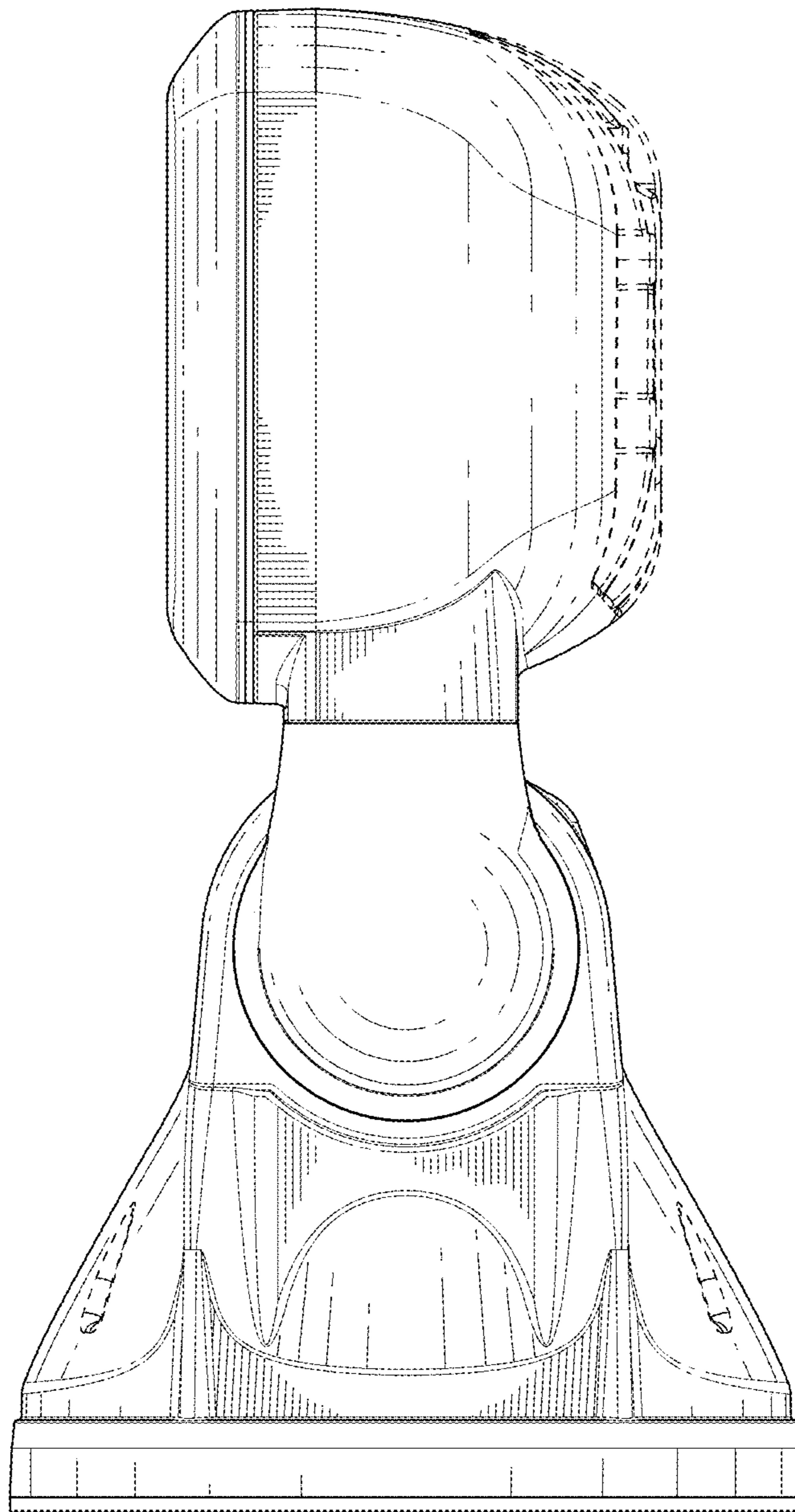


FIG. 4

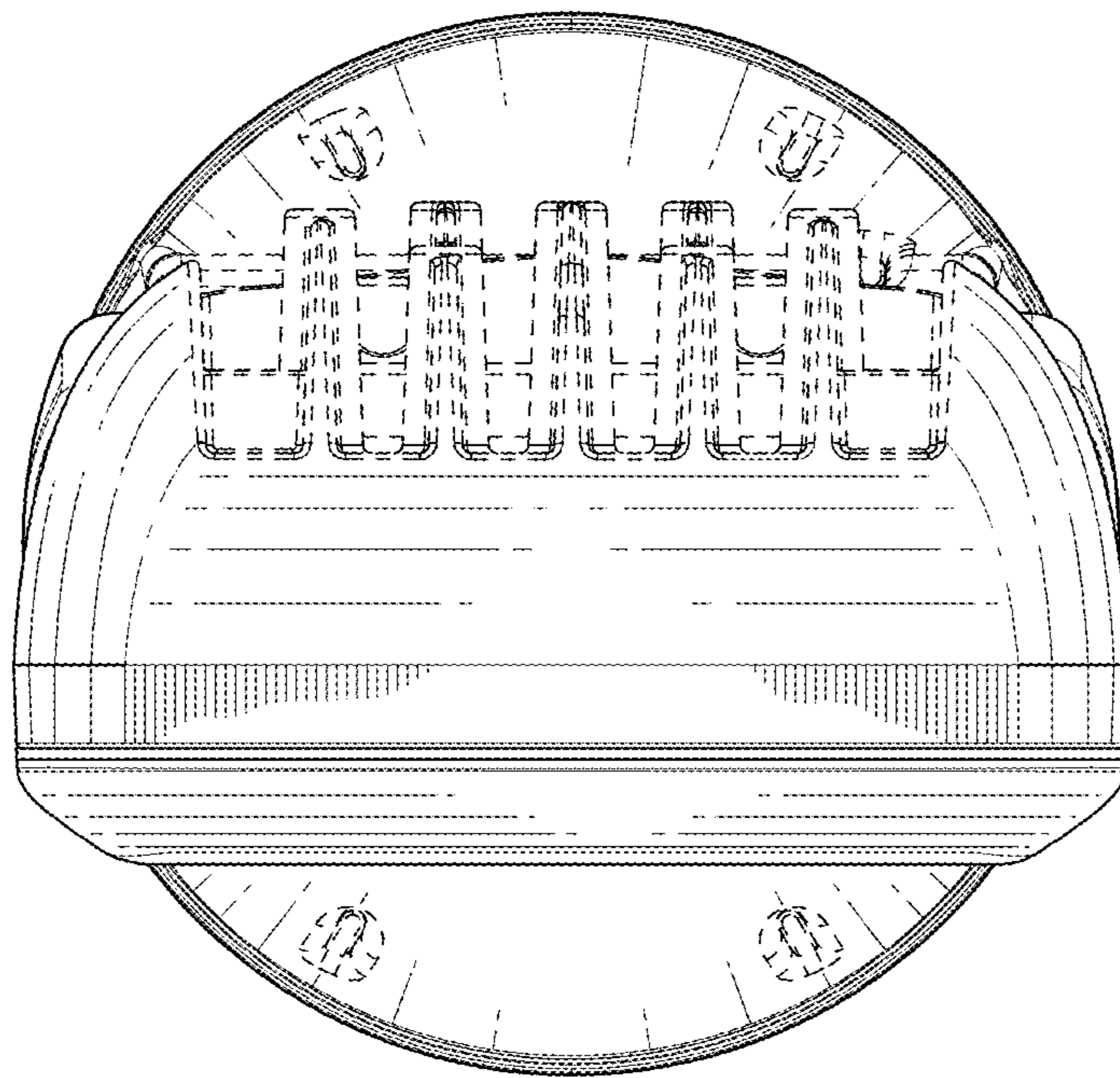


FIG. 5

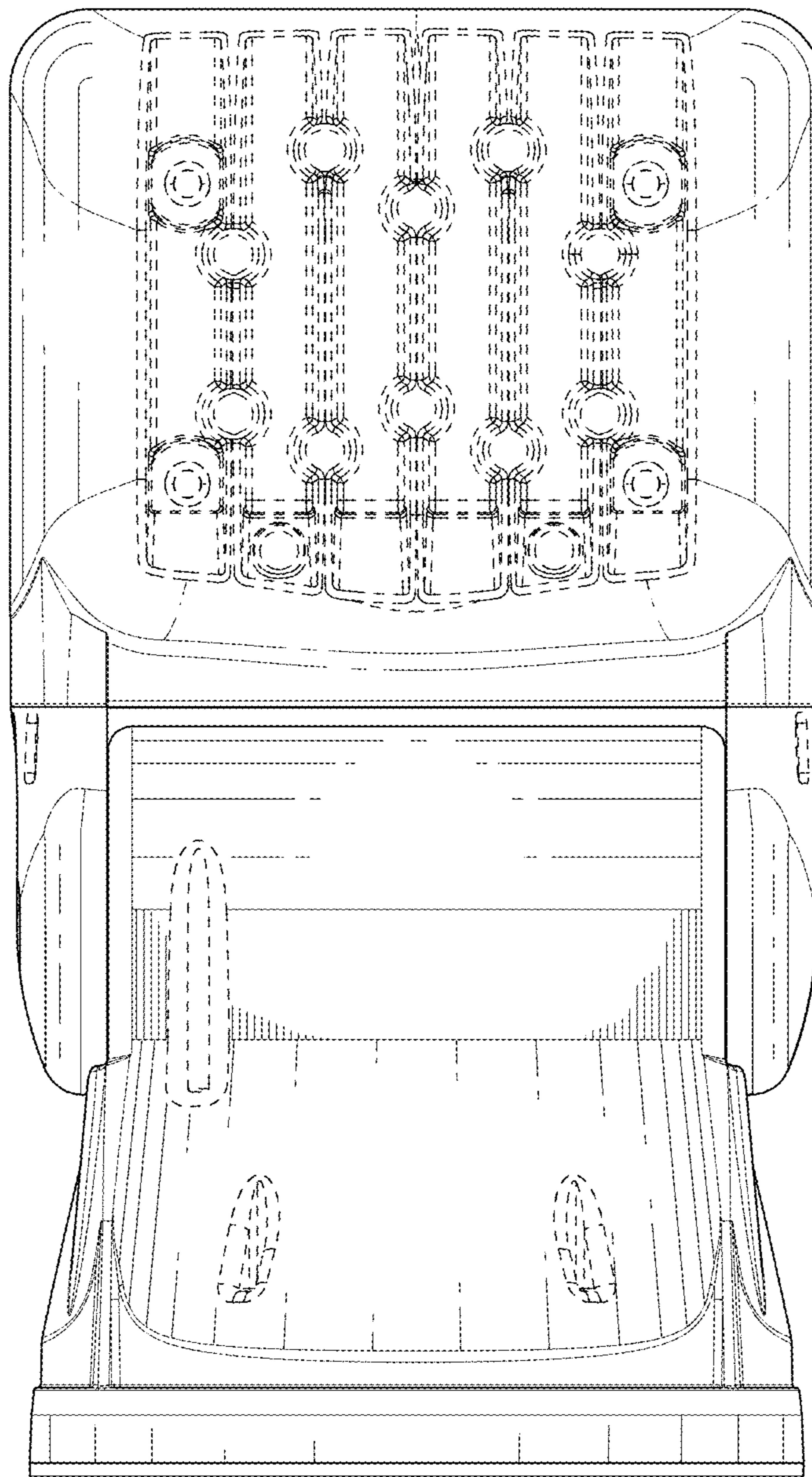


FIG. 6

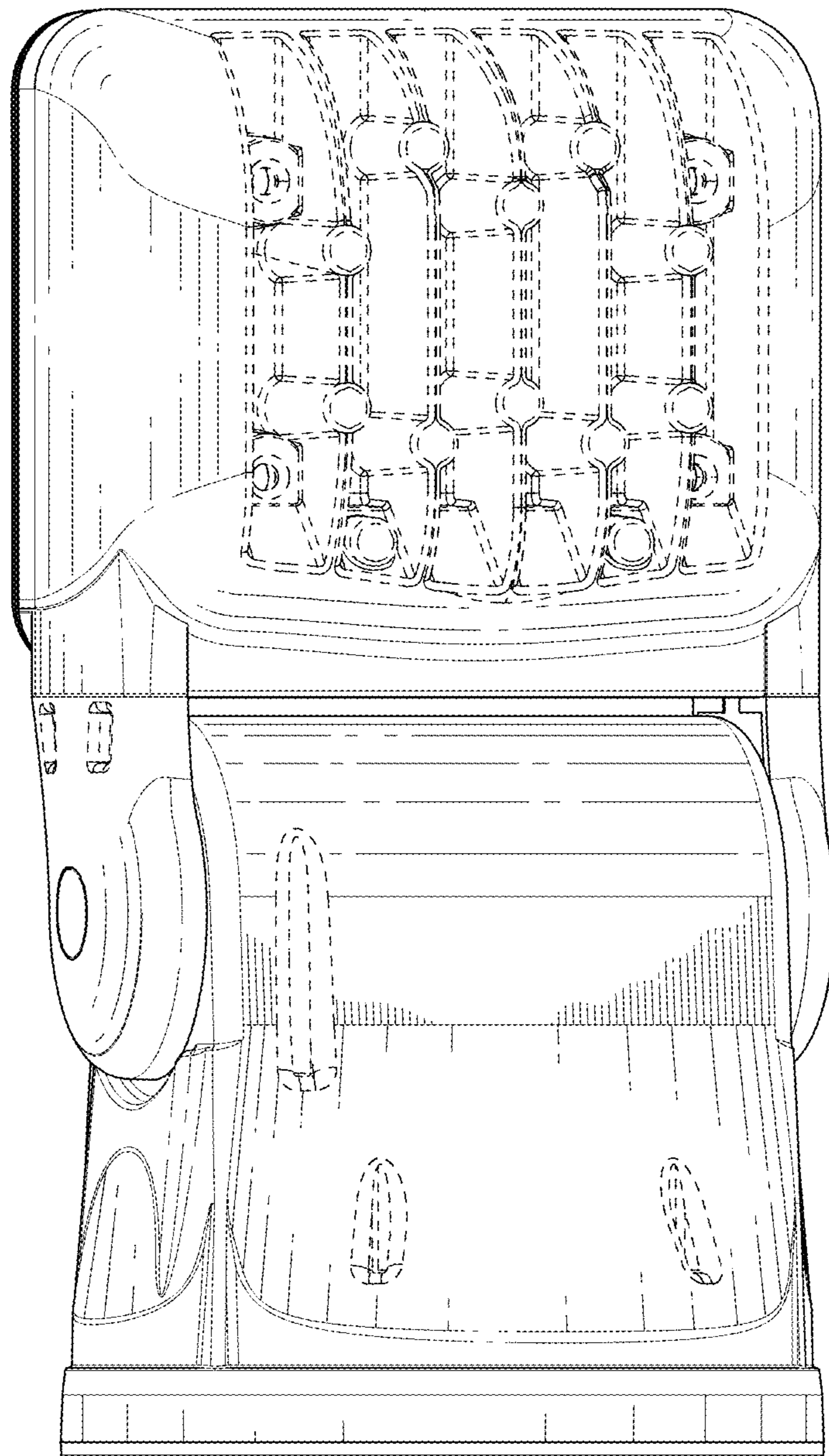


FIG. 7