



US00D905310S

(12) **United States Design Patent**  
**Wen**

(10) **Patent No.:** **US D905,310 S**

(45) **Date of Patent:** **\*\* Dec. 15, 2020**

(54) **LIGHT FIXTURE**

(71) Applicant: **Peng Wen**, Hubei (CN)

(72) Inventor: **Peng Wen**, Hubei (CN)

(\*\*) Term: **15 Years**

(21) Appl. No.: **29/659,612**

(22) Filed: **Aug. 10, 2018**

(51) **LOC (12) Cl.** ..... **26-05**

(52) **U.S. Cl.**  
USPC ..... **D26/63**

(58) **Field of Classification Search**  
USPC ..... D26/1, 24, 63, 67, 72, 73, 83, 85, 91,  
D26/118, 119, 135  
CPC ..... F21V 21/00; F21V 21/14; F21V 21/30;  
F21V 14/00; F21V 14/02; F21V 13/04;  
F21V 7/00; F21V 7/0091; F21V 1/00;  
F21V 1/04; F21V 1/08; F21V 1/14; F21S  
8/00; F21S 8/003; F21S 8/043  
See application file for complete search history.

(56) **References Cited**

**U.S. PATENT DOCUMENTS**

D301,758 S \* 6/1989 Sapper ..... D26/85  
D420,161 S \* 2/2000 Zuege ..... D26/84  
D610,729 S \* 2/2010 Kushinskaya ..... D26/63

D613,891 S \* 4/2010 Huang ..... D26/63  
D615,239 S \* 5/2010 Rashidi ..... D26/118  
D622,883 S \* 8/2010 Huang ..... D26/63  
D768,911 S \* 10/2016 Deluca ..... D26/118  
D776,319 S \* 1/2017 Sato ..... D26/63  
D889,724 S \* 7/2020 Richardson ..... D26/81  
D893,795 S \* 8/2020 Amato ..... D26/118

\* cited by examiner

*Primary Examiner* — Wan Laymon

*Assistant Examiner* — Clint A Samuel

(74) *Attorney, Agent, or Firm* — KA Filing LLC; Cynthia W. Flanigan

(57) **CLAIM**

The ornamental design for a light fixture, as shown and described.

**DESCRIPTION**

FIG. 1 is a perspective view of a light fixture embodying the new design;

FIG. 2 is a front view thereof;

FIG. 3 is a left-side view thereof;

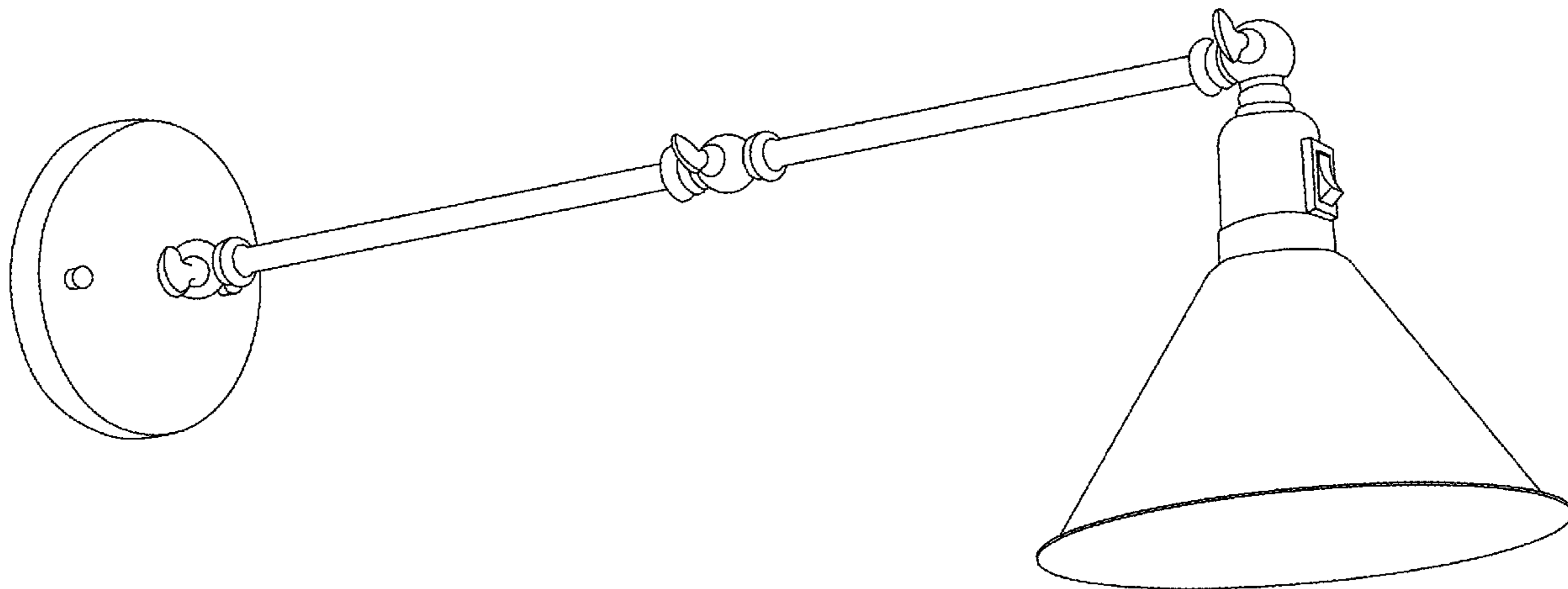
FIG. 4 is a right-side view thereof;

FIG. 5 is a top view thereof; and,

FIG. 6 is bottom view thereof.

The broken line showing in the drawings is included for the purpose of illustrating portions of the light fixture and forms no part of the claimed design.

**1 Claim, 6 Drawing Sheets**



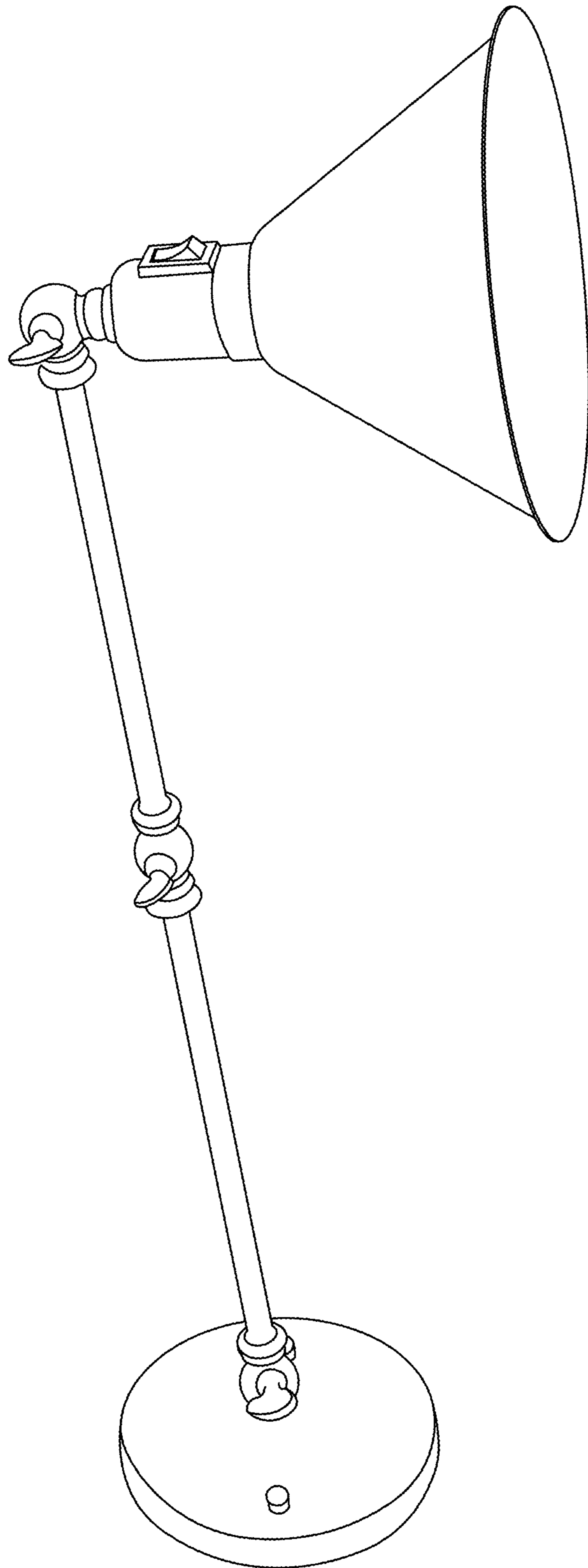


FIG. 1

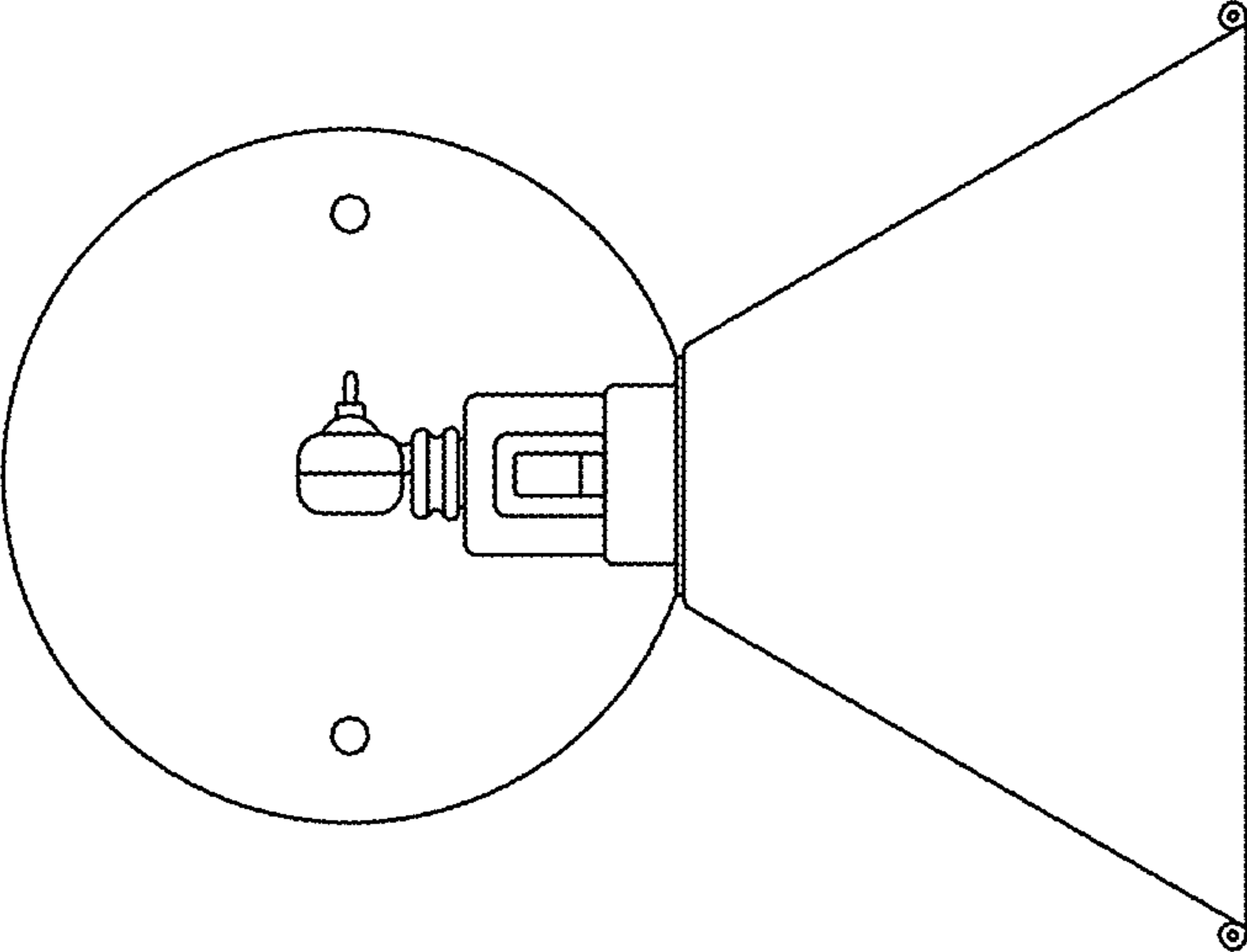


FIG. 2

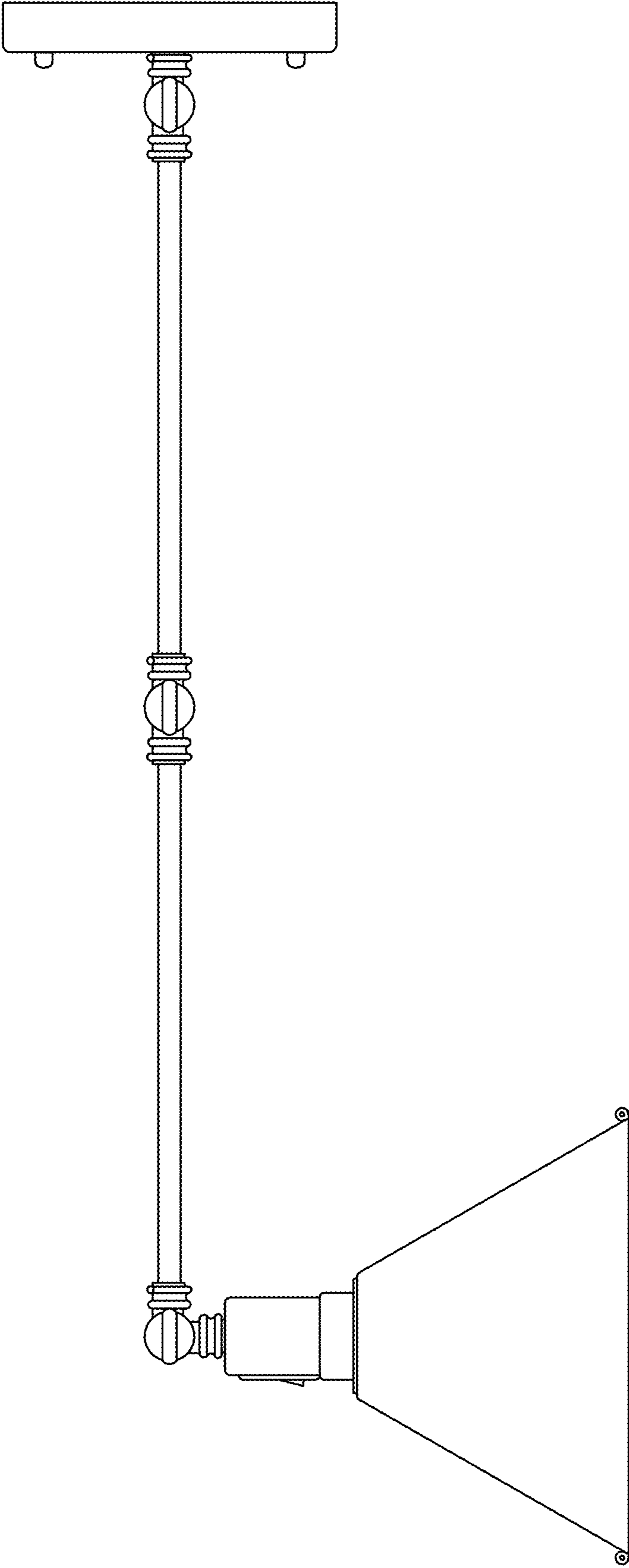


FIG. 3

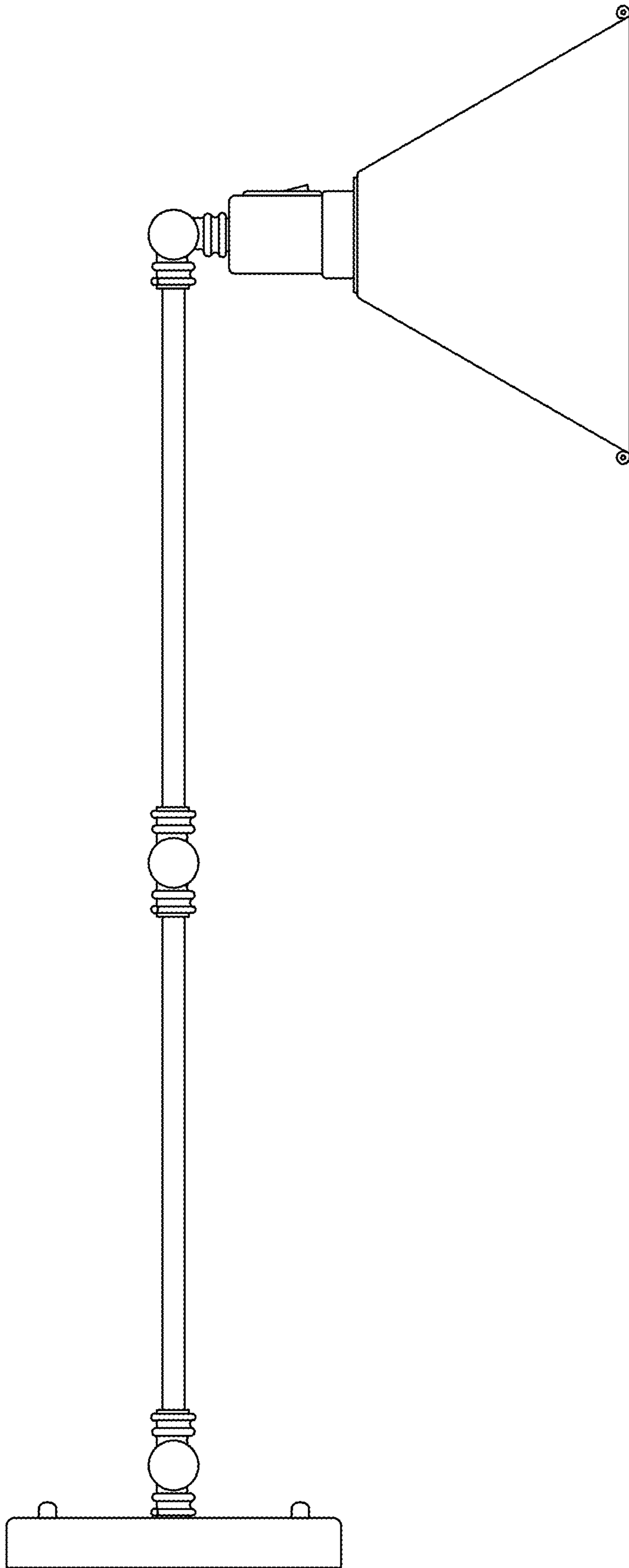


FIG. 4

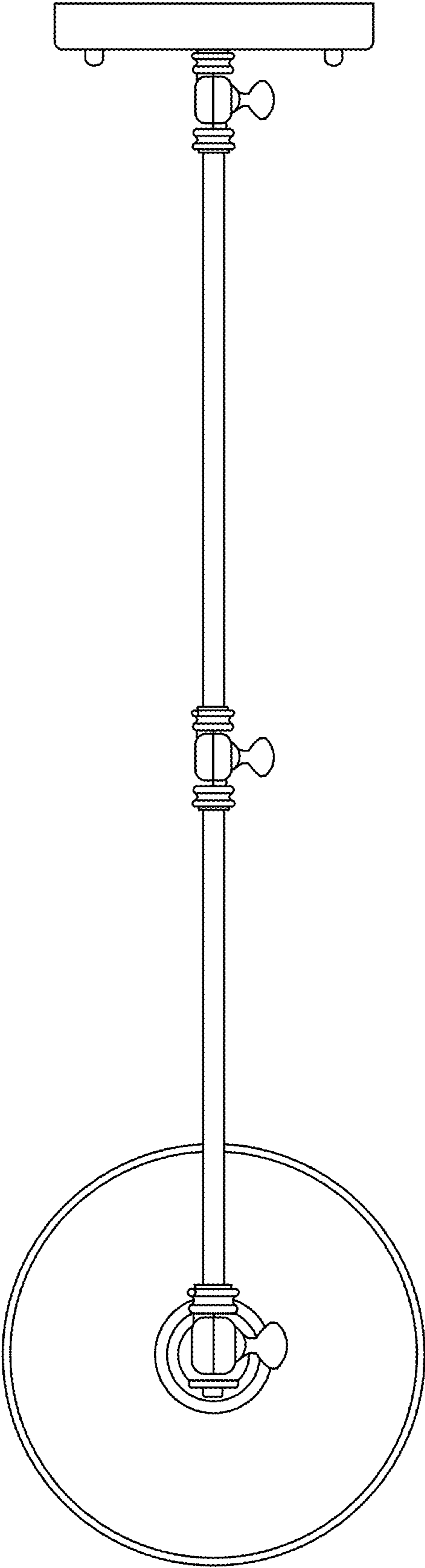


FIG. 5

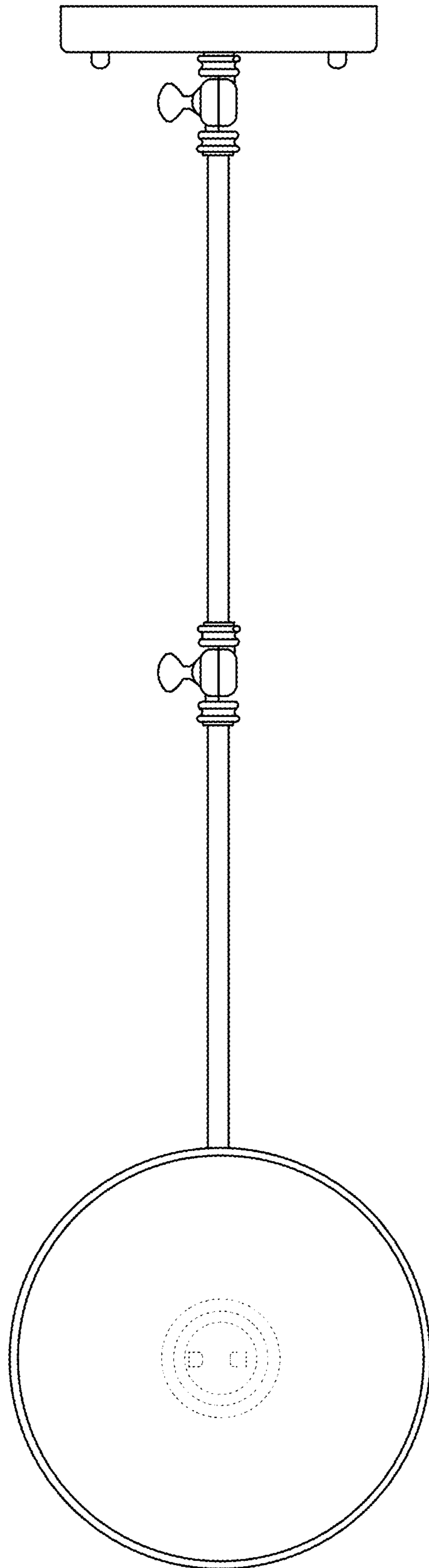


FIG. 6