



US00D905309S

(12) **United States Design Patent**
Hong

(10) **Patent No.:** **US D905,309 S**

(45) **Date of Patent:** **** Dec. 15, 2020**

(54) **DIVING FLASHLIGHT**

(71) Applicant: **Qiming Hong**, Cixi (CN)

(72) Inventor: **Qiming Hong**, Cixi (CN)

(**) Term: **15 Years**

(21) Appl. No.: **29/690,882**

(22) Filed: **May 13, 2019**

(51) **LOC (12) Cl.** **26-02**

(52) **U.S. Cl.**
USPC **D26/49**

(58) **Field of Classification Search**
USPC D26/37-42, 46, 49-50
CPC F21L 2003/00; F21L 4/00; F21L 4/005;
F21L 4/02; F21L 4/022; F21L 4/025;
F21L 4/027; F21L 4/045; F21L 4/08;
F21L 4/085; F21L 14/02
See application file for complete search history.

(56) **References Cited**

U.S. PATENT DOCUMENTS

- 5,067,855 A * 11/1991 Kamitani B63C 11/02
405/186
- D518,216 S * 3/2006 Rugendyke D26/49
- D527,481 S * 8/2006 Opolka D26/49
- D563,007 S * 2/2008 Opolka D26/49
- D597,235 S * 7/2009 Chang D26/49
- D598,151 S * 8/2009 McGraw D26/49
- D639,476 S * 6/2011 Robinson D26/49
- D639,477 S * 6/2011 Robinson D26/49
- D685,940 S * 7/2013 Lee D26/49
- 8,702,267 B2 * 4/2014 Robinson F21L 4/022
362/191
- D706,475 S * 6/2014 Lee D26/49
- D706,476 S * 6/2014 Lee D26/49
- D716,982 S * 11/2014 Corey D26/49
- D746,499 S * 12/2015 Schleder D26/49
- D748,309 S * 1/2016 Cheng D26/38

- D767,185 S * 9/2016 Schleder D26/49
- D769,495 S * 10/2016 Bertken D26/49
- D809,171 S * 1/2018 Ma D26/49
- D810,337 S * 2/2018 Eichelberger D26/49
- D818,622 S * 5/2018 Kunzendorf D26/49
- D823,509 S * 7/2018 Kunzendorf D26/49
- D823,510 S * 7/2018 Kunzendorf D26/49
- D831,870 S * 10/2018 Gassauer D26/49
- D842,515 S * 3/2019 Qiu D26/49
- D842,517 S * 3/2019 Davidson D26/49
- D851,310 S * 6/2019 Windom D26/49
- D866,031 S * 11/2019 Muysshondt D26/49
- D866,830 S * 11/2019 Pan D26/49
- D874,043 S * 1/2020 Lee D26/37
- D884,946 S * 5/2020 Muysshondt D26/49
- D889,011 S * 6/2020 Hong D26/49
- D891,663 S * 7/2020 Weizel D26/49
- D893,784 S * 8/2020 Wu D26/49

* cited by examiner

Primary Examiner — Sheryl Lane

Assistant Examiner — Stacey L Hopkins

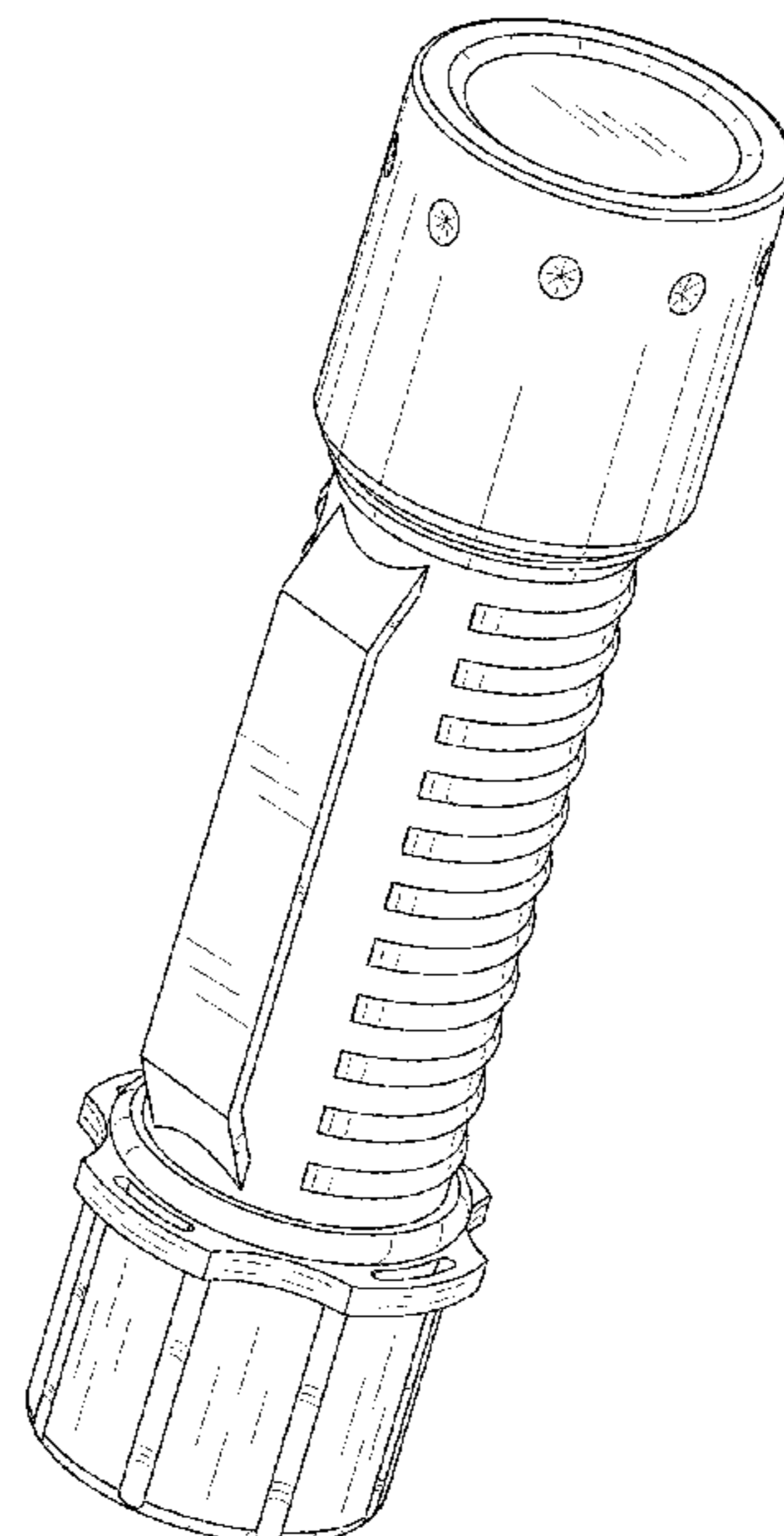
(57) **CLAIM**

The ornamental design for a diving flashlight, as shown and described.

DESCRIPTION

FIG. 1 is a front elevational view of the diving flashlight showing my new design;
FIG. 2 is a rear elevational view thereof;
FIG. 3 is a left side elevational view thereof;
FIG. 4 is a top plan view thereof;
FIG. 5 is a bottom plan view thereof;
FIG. 6 is a front, right perspective view thereof;
FIG. 7 is a front, left perspective view thereof; and,
FIG. 8 is a perspective view of the diving flashlight in use. The broken lines in the FIG. 8 depict the environment that forms no part of the claimed design.

1 Claim, 7 Drawing Sheets



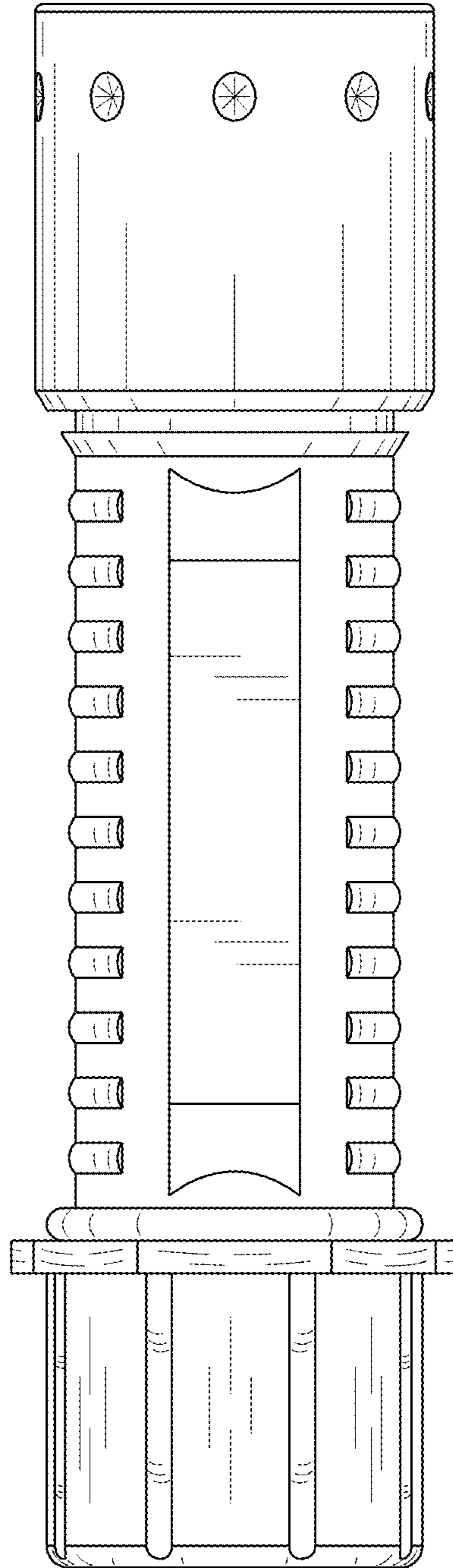


FIG. 1

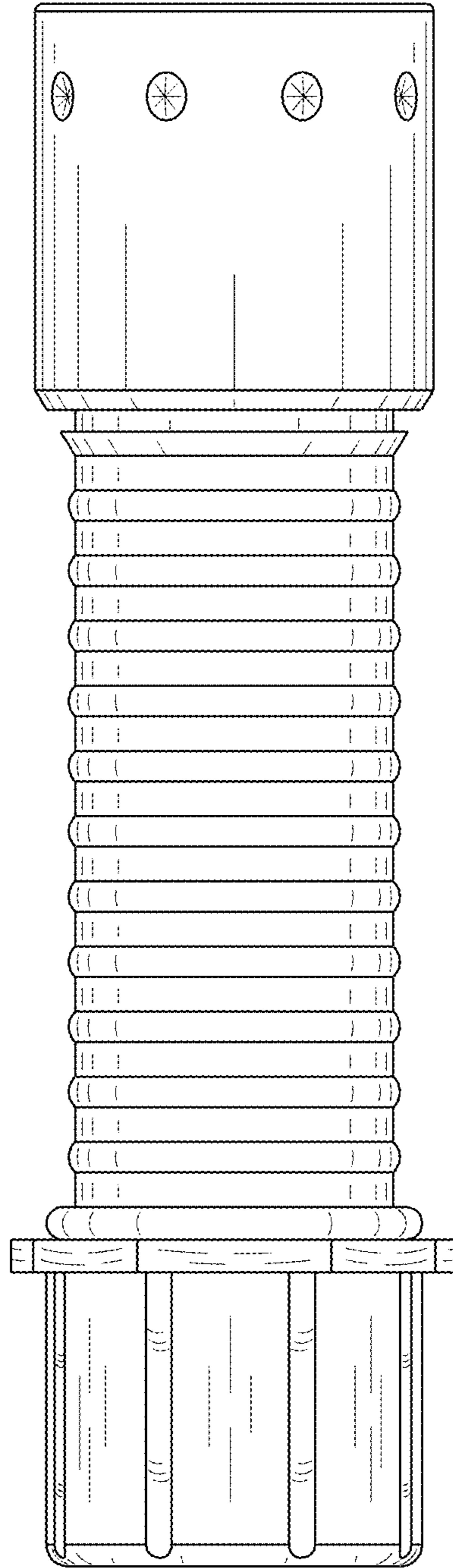


FIG. 2

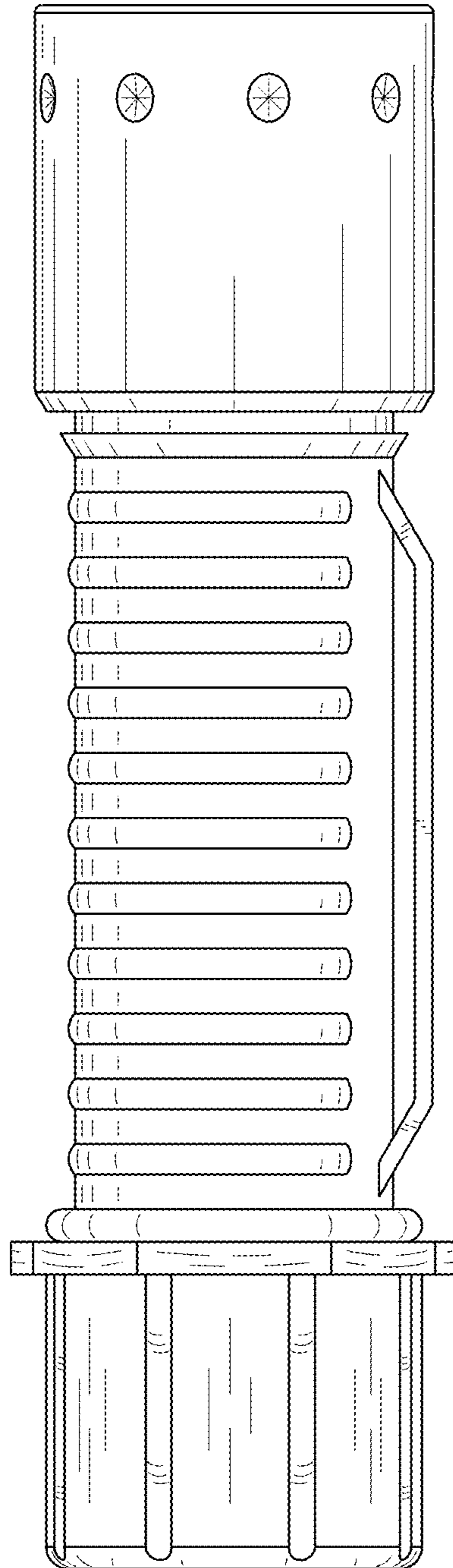


FIG. 3

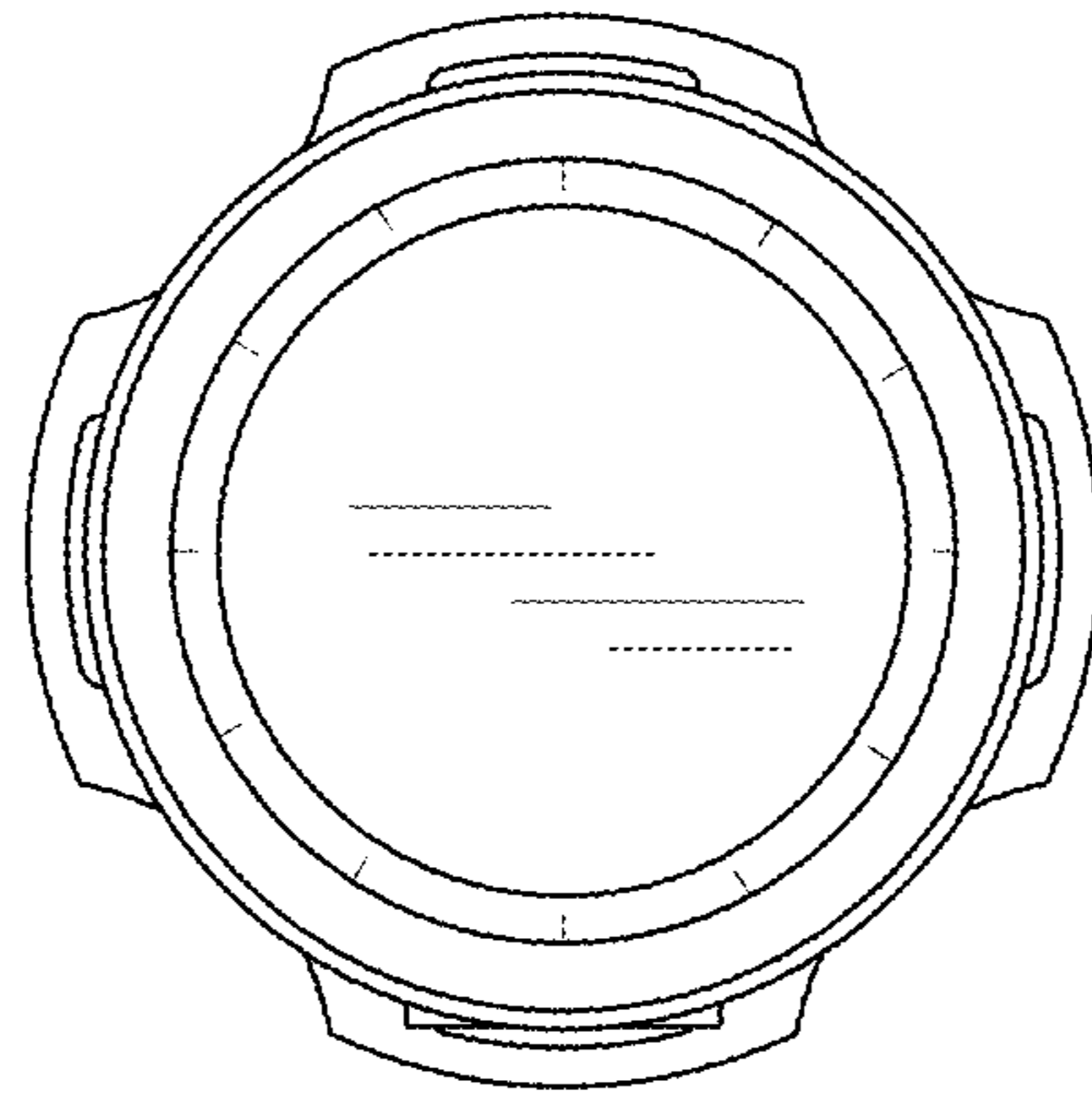


FIG. 4

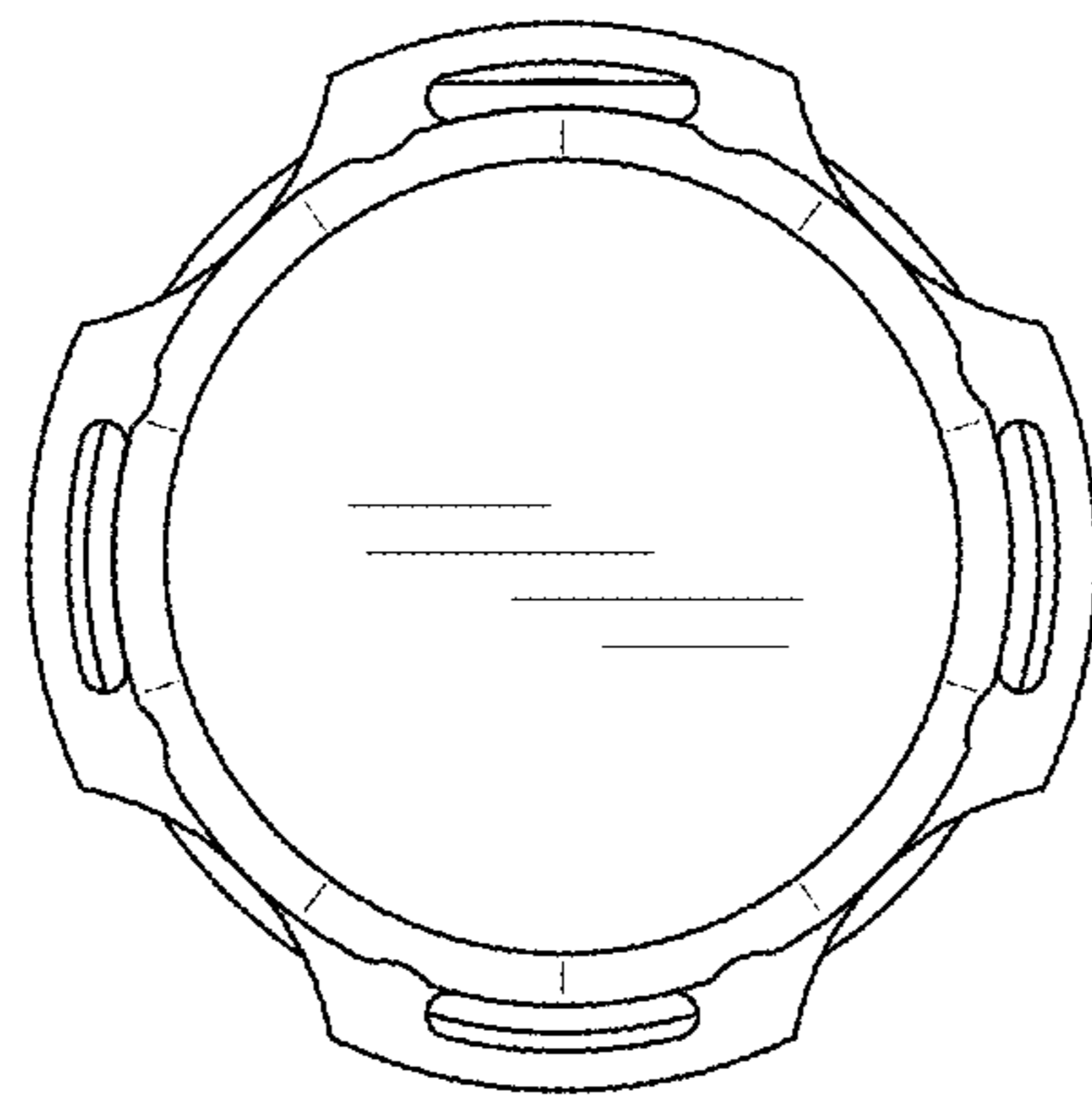


FIG. 5

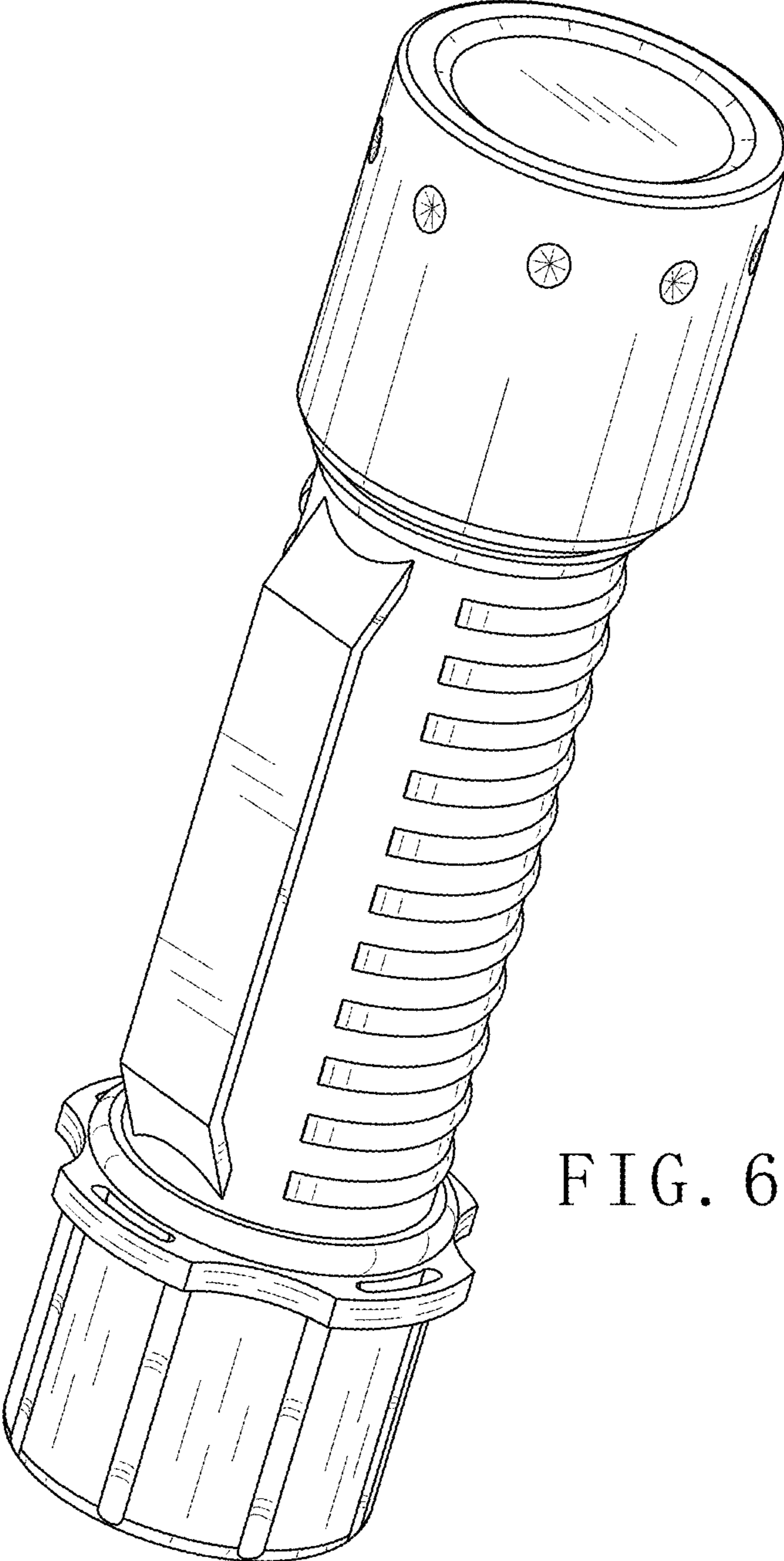


FIG. 6

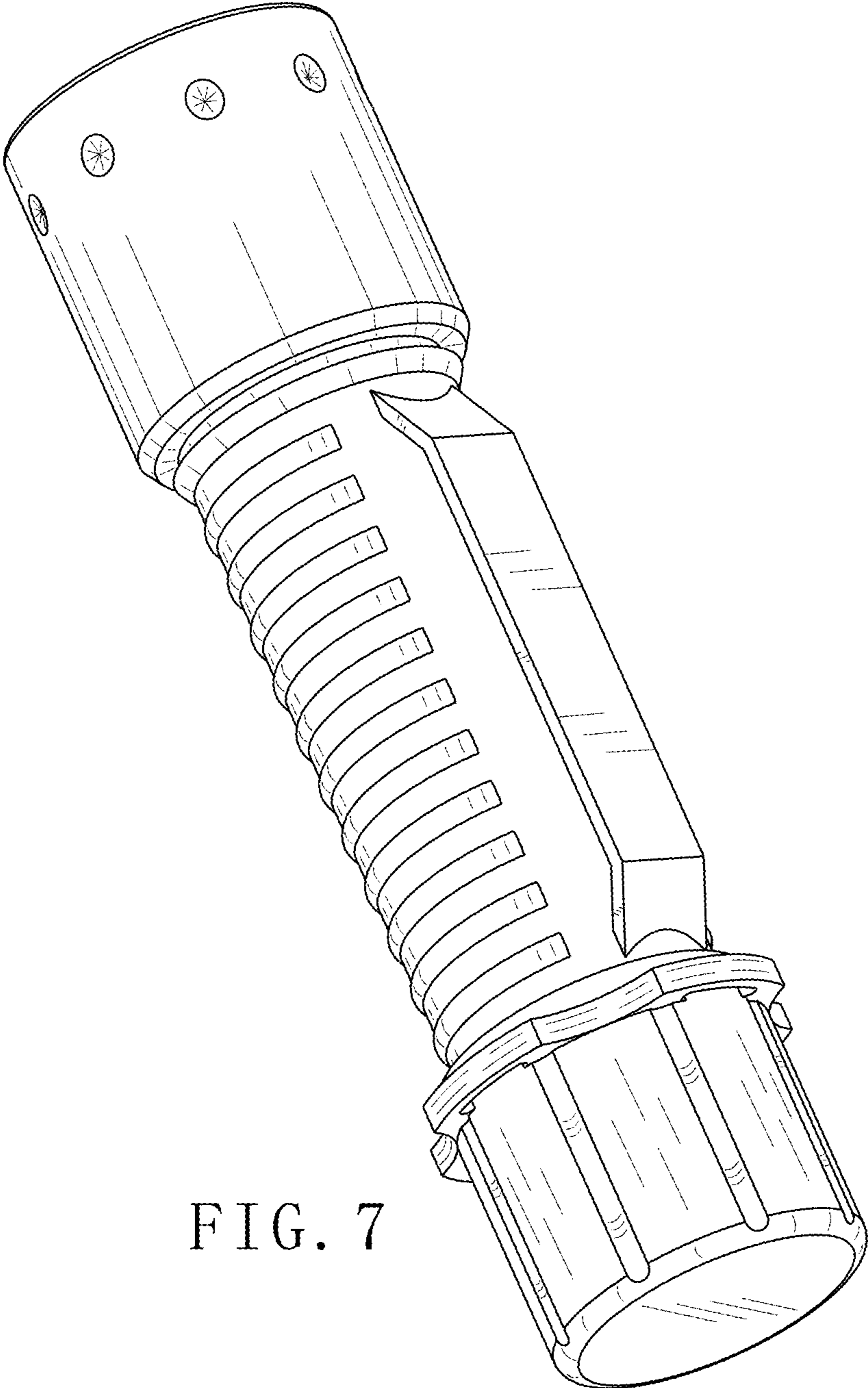


FIG. 7

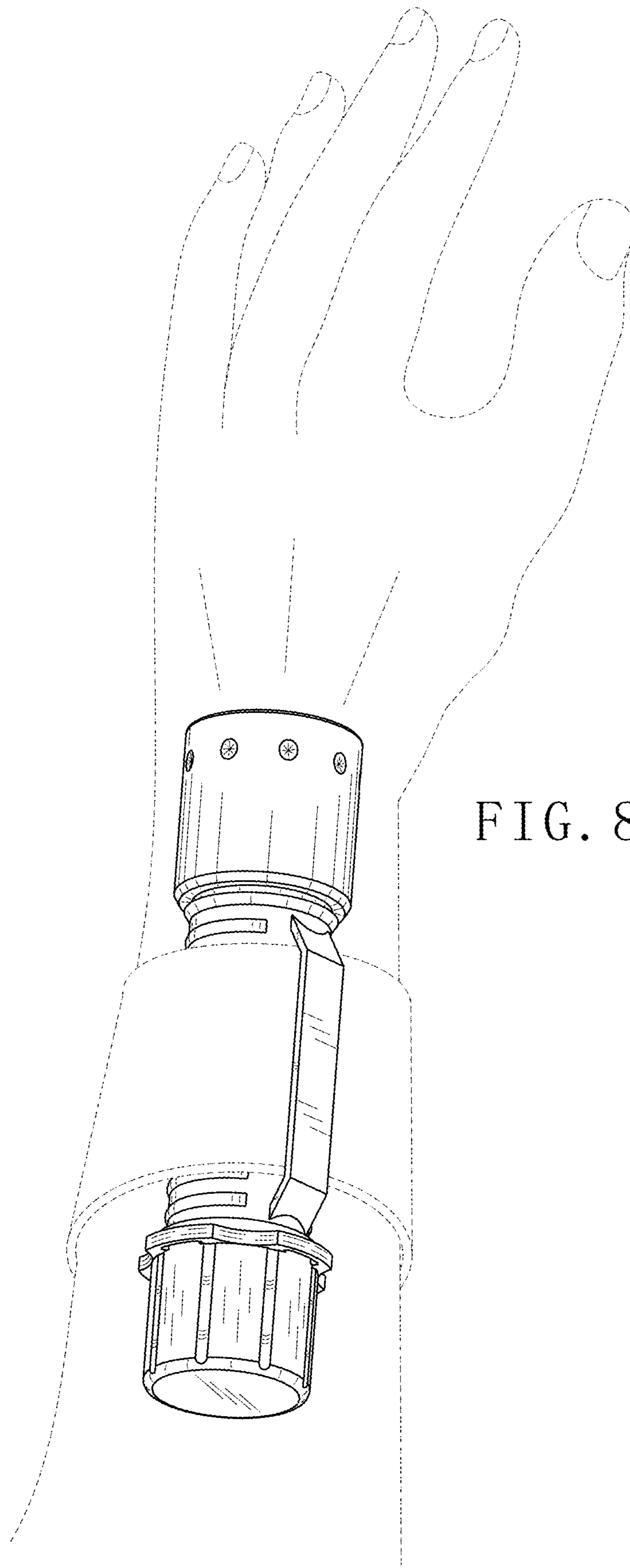


FIG. 8