

US00D905308S

(12) **United States Design Patent**
Hong

(10) **Patent No.:** **US D905,308 S**

(45) **Date of Patent:** **** Dec. 15, 2020**

(54) **FLASHLIGHT**

(71) Applicant: **Qiming Hong**, Cixi (CN)

(72) Inventor: **Qiming Hong**, Cixi (CN)

(**) Term: **15 Years**

(21) Appl. No.: **29/671,340**

(22) Filed: **Nov. 27, 2018**

(51) **LOC (12) Cl.** **26-02**

(52) **U.S. Cl.**
USPC **D26/49**

(58) **Field of Classification Search**
USPC D26/37–38, 40–42, 46, 49–50
CPC F21L 2003/00; F21L 4/00; F21L 4/005;
F21L 4/02; F21L 4/002; F21L 4/025;
F21L 4/027; F21L 4/04; F21L 4/045;
F21L 4/08; F21L 4/085; F21L 2005/00;
F21L 14/02

See application file for complete search history.

(56) **References Cited**

U.S. PATENT DOCUMENTS

D368,147 S *	3/1996	Bamber	D26/49
D486,935 S *	2/2004	Shiu	D26/49
D486,936 S *	2/2004	Shiu	D26/49
D486,937 S *	2/2004	Shiu	D26/49
D509,011 S *	8/2005	Fritz	D26/49
D525,733 S *	7/2006	Shiao	D26/37
D549,376 S *	8/2007	Shiu	D26/49
D577,845 S *	9/2008	Shiu	D26/49
D579,595 S *	10/2008	Shiu	D26/49
D596,328 S *	7/2009	Shiu	D26/49

D596,772 S *	7/2009	Chang	D26/49
8,469,548 B2 *	6/2013	Qiu	F21L 4/027 362/188
D709,232 S *	7/2014	Inskeep	D26/49
D716,983 S *	11/2014	Ma	D26/49
D717,481 S *	11/2014	Yong	D26/49
D799,088 S *	10/2017	Green	D26/49
D799,089 S *	10/2017	Green	D26/49
D818,622 S *	5/2018	Kunzendorf	D26/49
D827,892 S *	9/2018	Kunzendorf	D26/49
D831,870 S *	10/2018	Gassauer	D26/49
D846,783 S *	4/2019	Eichelberger	D26/49
D879,345 S *	3/2020	Chen	D26/49
D882,138 S *	4/2020	Bao	D26/49

* cited by examiner

Primary Examiner — Sheryl Lane

Assistant Examiner — Stacey L Hopkins

(57) **CLAIM**

The ornamental design for a flashlight, as shown and described.

DESCRIPTION

FIG. 1 is a front perspective view of the flashlight showing my new design;

FIG. 2 is a front elevational view thereof;

FIG. 3 is a rear elevational view thereof;

FIG. 4 is a left side elevational view thereof;

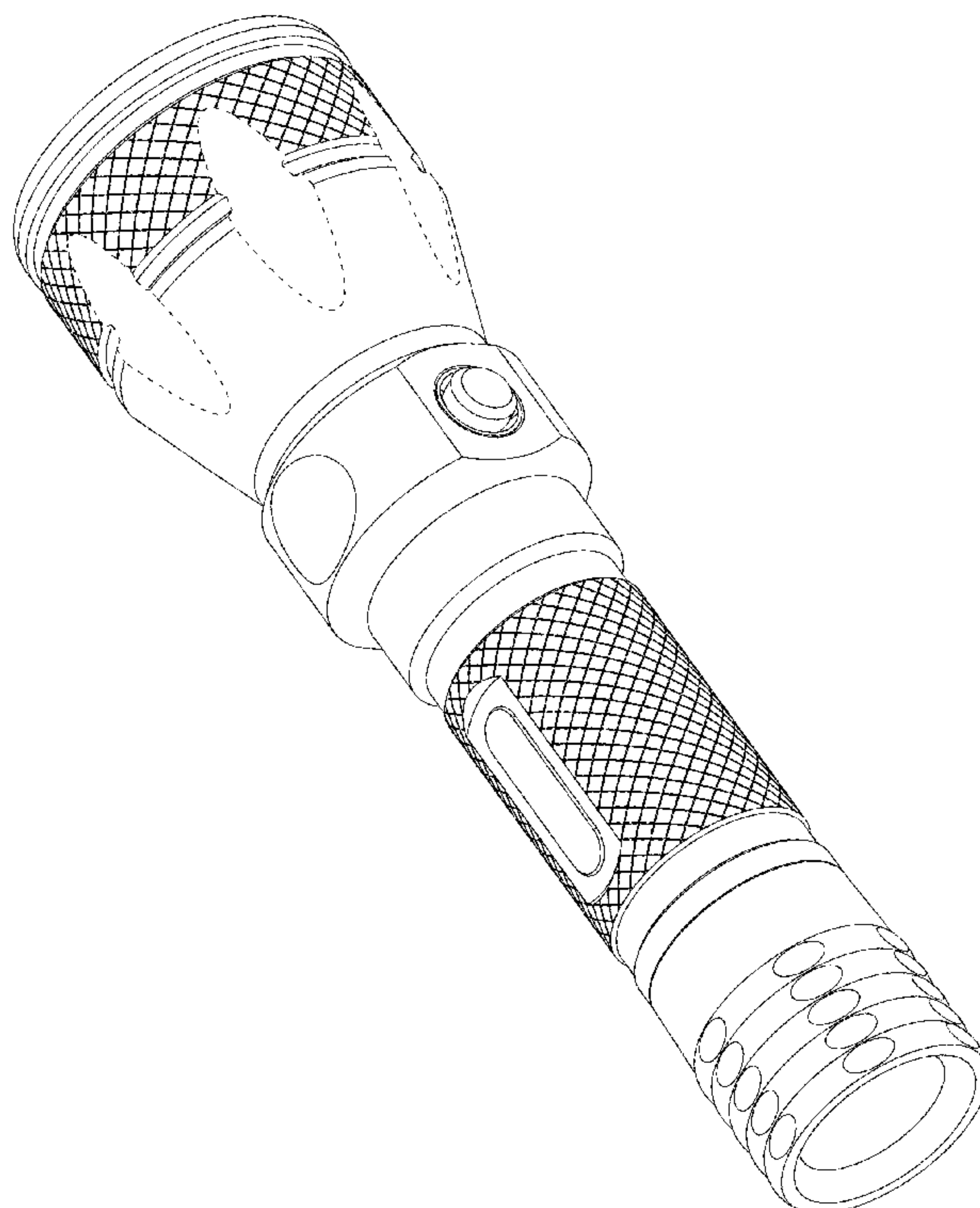
FIG. 5 is a right side elevational view thereof;

FIG. 6 is a top plan view thereof; and,

FIG. 7 is a bottom plan view thereof.

The broken lines in the figures depict the portions of the flashlight that form no part of the claimed design.

1 Claim, 6 Drawing Sheets



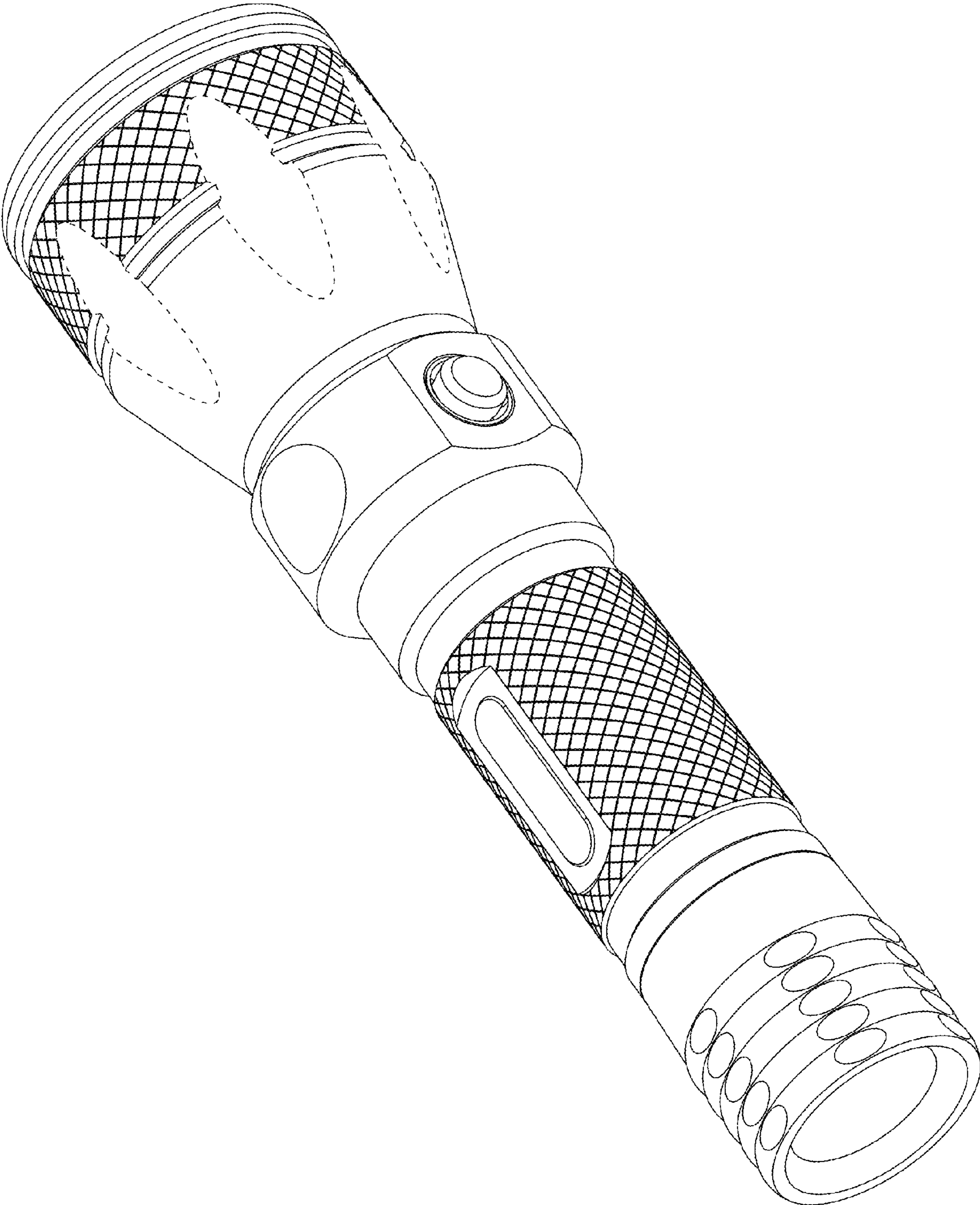


FIG. 1

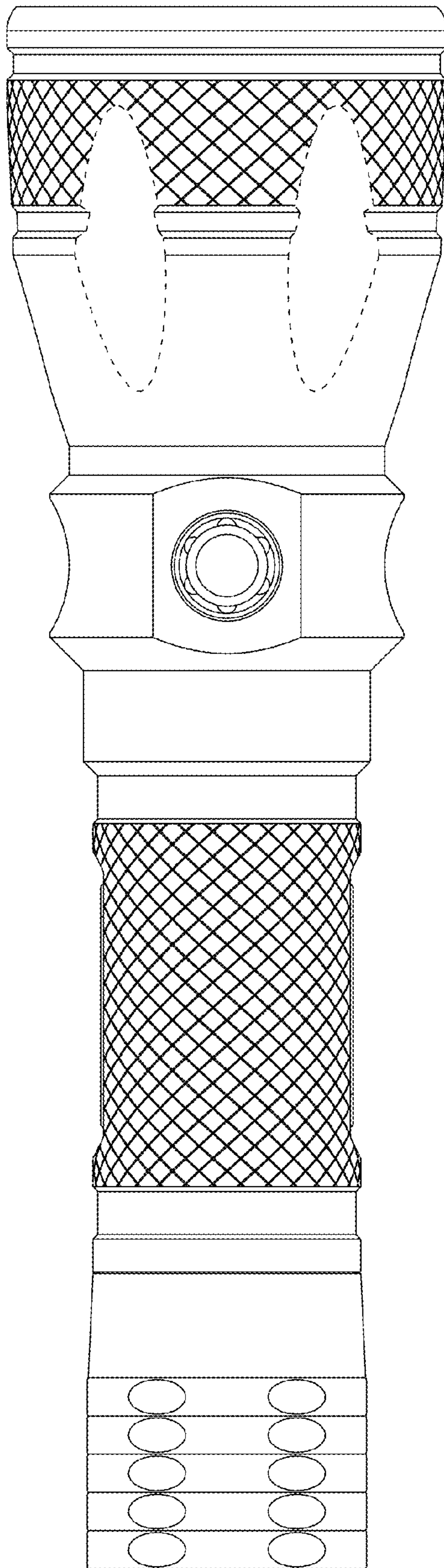


FIG. 2

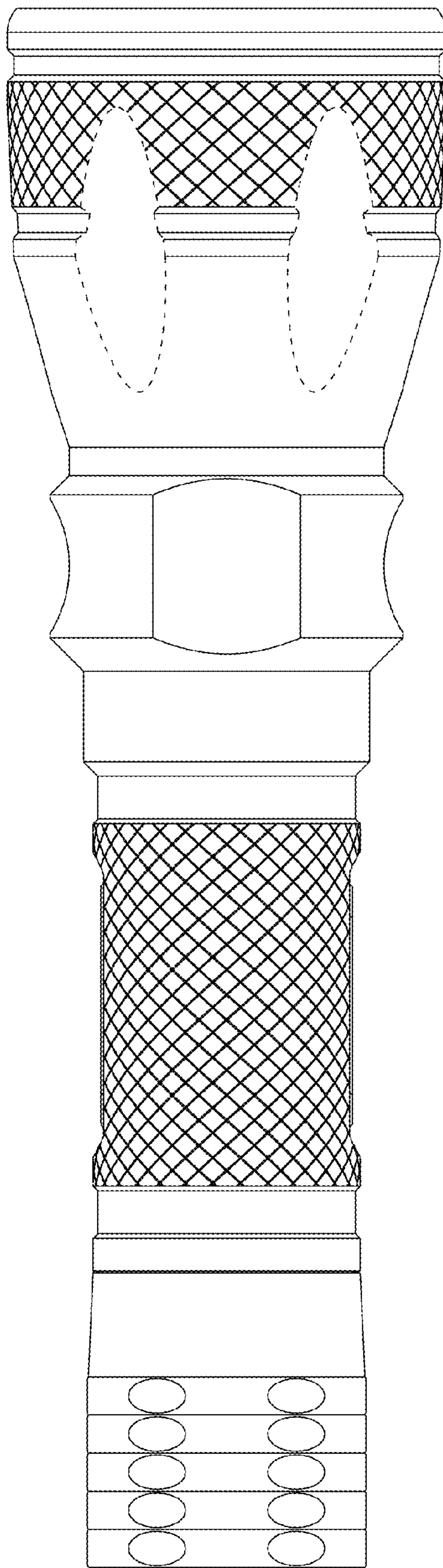


FIG. 3

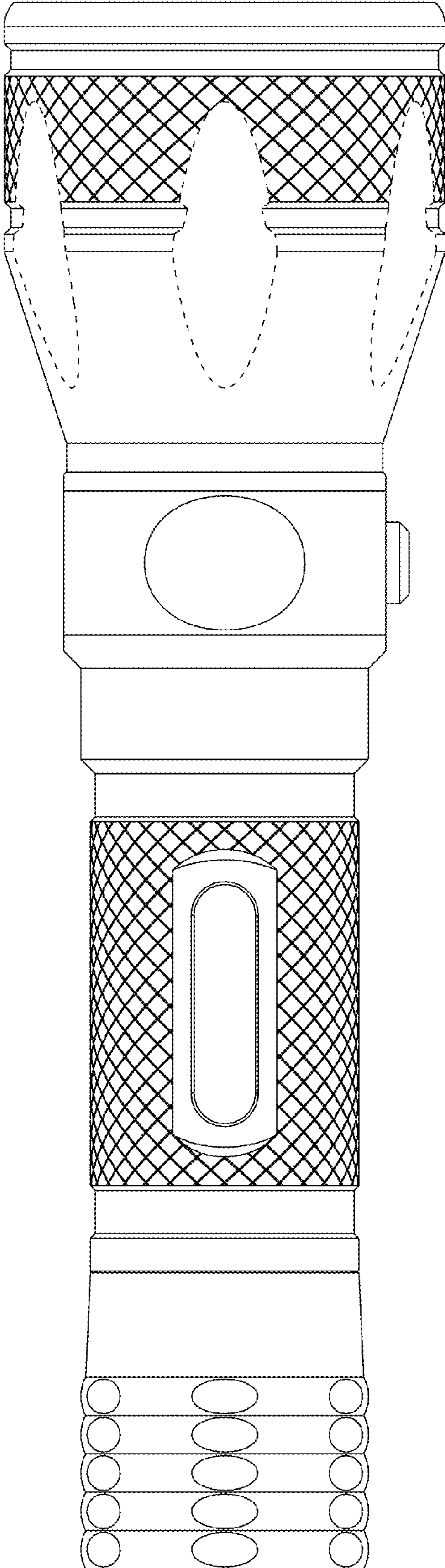


FIG. 4

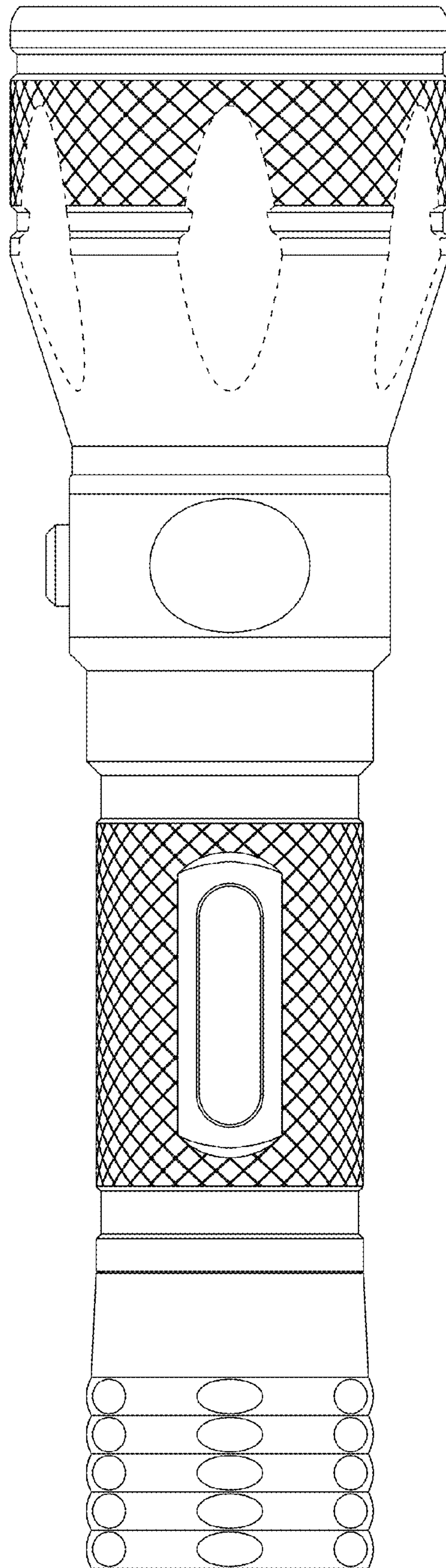


FIG. 5

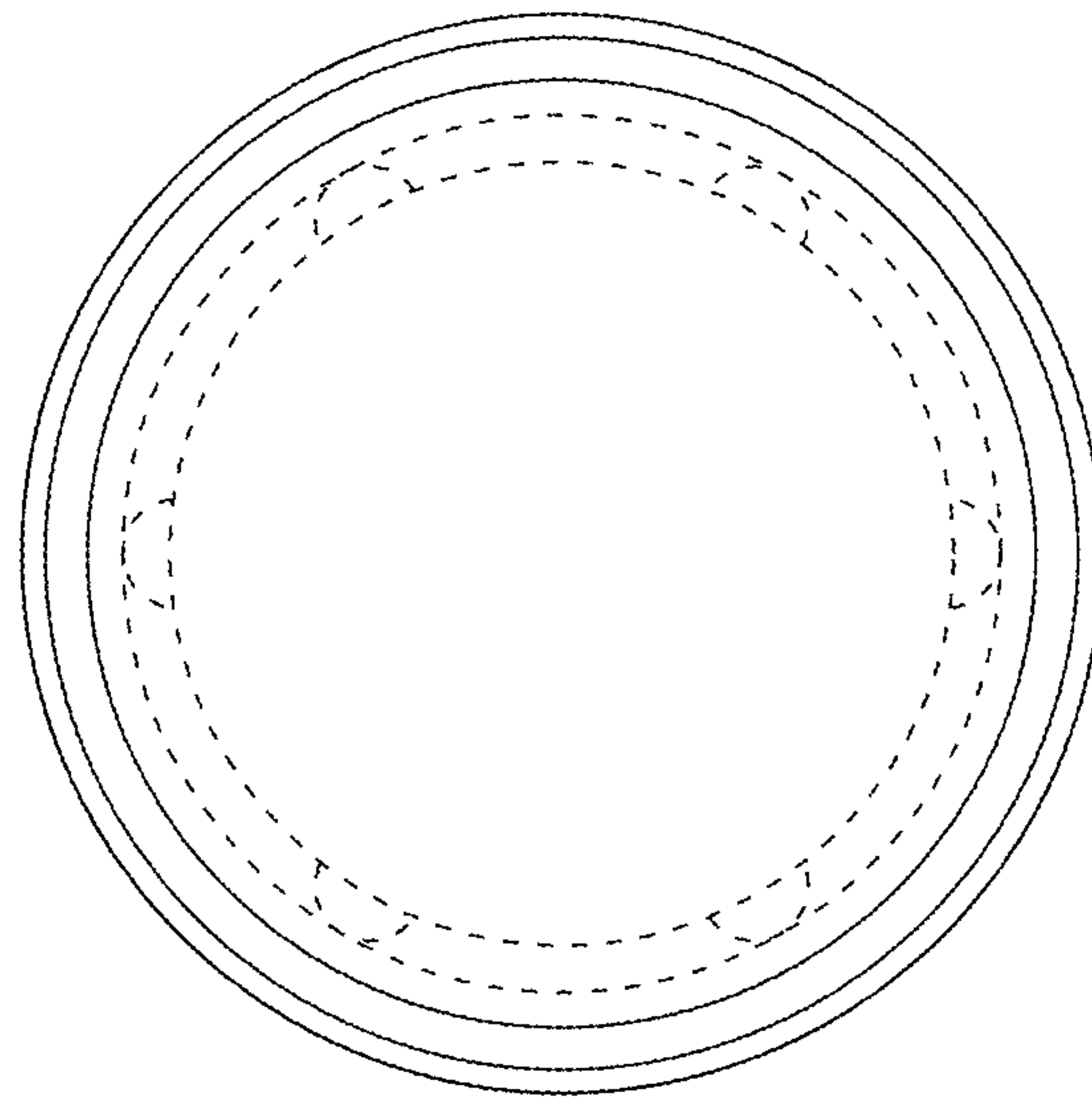


FIG. 6

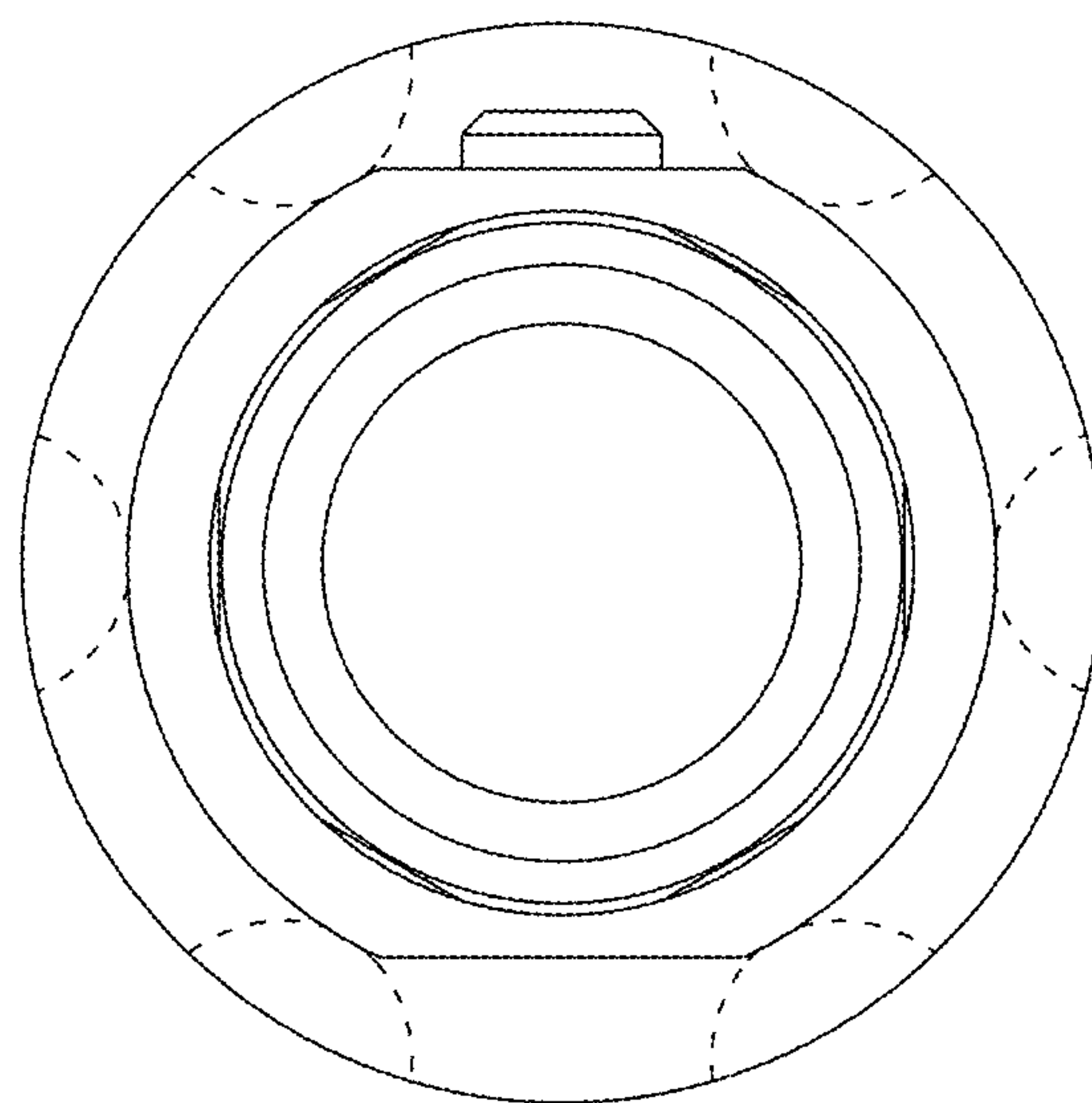


FIG. 7