



US00D905307S

(12) **United States Design Patent**
Windom et al.

(10) **Patent No.:** **US D905,307 S**

(45) **Date of Patent:** **** Dec. 15, 2020**

(54) **COMPACT FLASHLIGHT**

(71) Applicant: **Coast Cutlery Co.**, Portland, OR (US)

(72) Inventors: **Gregory David Windom**, Portland, OR (US); **David D. Lewin**, Portland, OR (US)

(73) Assignee: **Coast Cutlery Co.**, Portland, OR (US)

(**) Term: **15 Years**

(21) Appl. No.: **29/636,506**

(22) Filed: **Feb. 8, 2018**

(51) **LOC (12) Cl.** **26-02**

(52) **U.S. Cl.**
USPC **D26/49**

(58) **Field of Classification Search**
USPC D26/37-51
CPC F21L 2003/00; F21L 4/00; F21L 4/005;
F21L 4/02; F21L 4/025; F21L 4/027;
F21L 4/04; F21L 4/08; F21L 2005/00;
F21L 7/00; F21L 11/00; F21L 13/00;
F21L 13/04; F21L 13/08; F21L 14/02;
F21L 17/00; F21L 19/00; F21L 25/00
See application file for complete search history.

(56) **References Cited**

U.S. PATENT DOCUMENTS

D501,055 S *	1/2005	Packard	D26/37
D532,543 S *	11/2006	Julius	D26/49
D533,674 S *	12/2006	Julius	D26/49
D541,454 S *	4/2007	Galey	D26/49
D675,358 S *	1/2013	Brands	D26/49
D683,877 S *	6/2013	Brands	D26/49
D684,717 S *	6/2013	Hicks	D26/49
D701,340 S *	3/2014	Opolka	D26/49

D704,368 S *	5/2014	Opolka	D26/49
D769,494 S *	10/2016	Bertken	D26/49
D770,071 S *	10/2016	Windom	D26/49
D803,446 S *	11/2017	Green	D26/49
D810,337 S *	2/2018	Eichelberger	D26/49
D833,051 S *	11/2018	Qiu	D26/49
D842,515 S *	3/2019	Qiu	D26/49

* cited by examiner

Primary Examiner — Lakiya G Rogers

Assistant Examiner — Carissa C Fitts

(74) *Attorney, Agent, or Firm* — Schwabe Williamson & Wyatt, P.C.

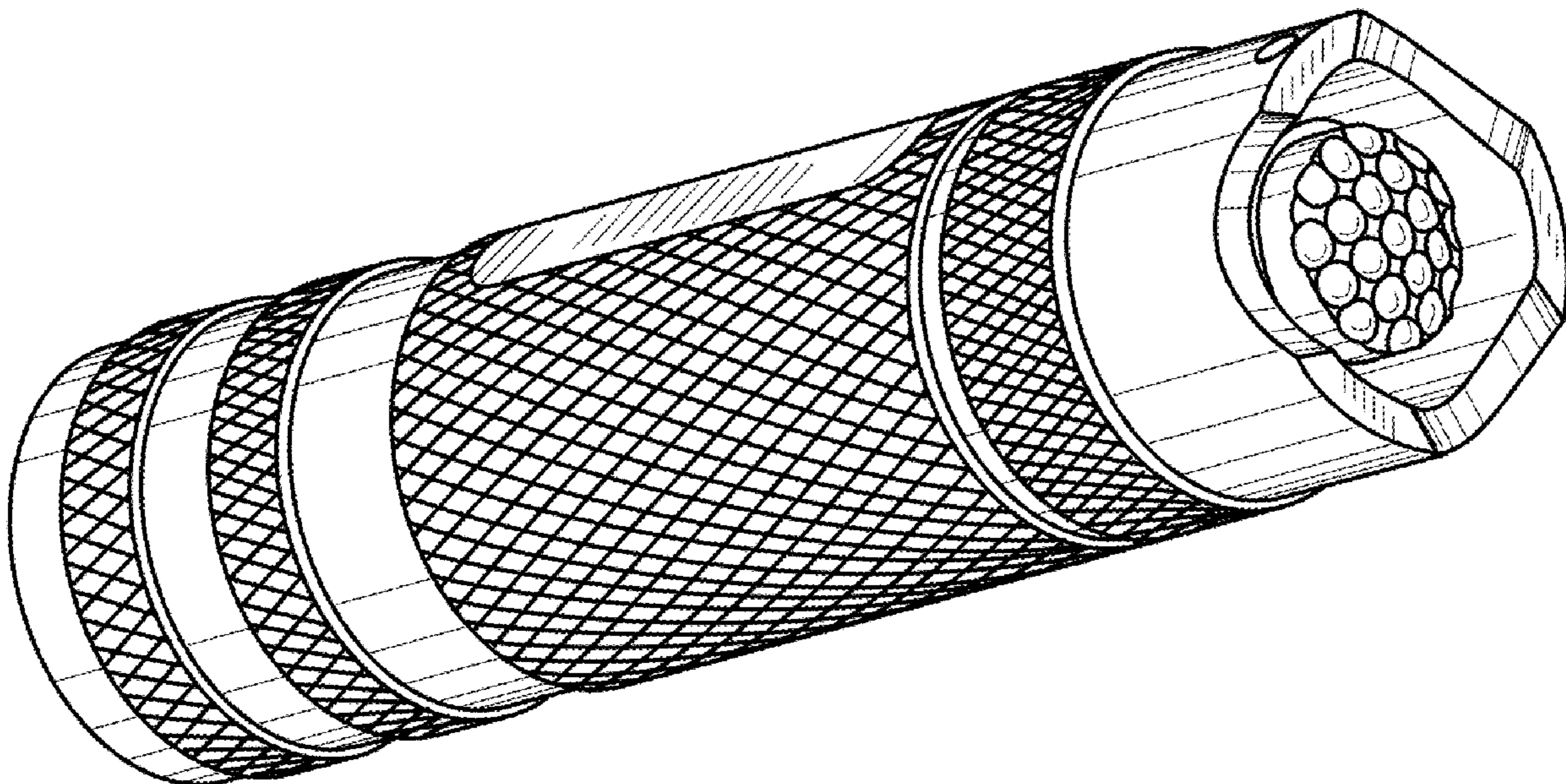
(57) **CLAIM**

We claim the ornamental design for a compact flashlight, as shown and described.

DESCRIPTION

FIG. 1 is a perspective view of the flashlight from a rear angle;
FIG. 2 is an end elevation view of the embodiment of FIG. 1, from the front end;
FIG. 3 is an end elevation view of the embodiment of FIGS. 1-2, from the rear end;
FIG. 4 is a side elevation view of the embodiment of FIGS. 1-3 from the left side;
FIG. 5 is a side elevation view of the embodiment of FIGS. 1-4 from the right side;
FIG. 6 is a bottom view of the embodiment of FIGS. 1-5; and,
FIG. 7 is a top plan view of the embodiment of FIGS. 1-6. The broken lines show portions of the article which form no part of the claimed design.

1 Claim, 2 Drawing Sheets



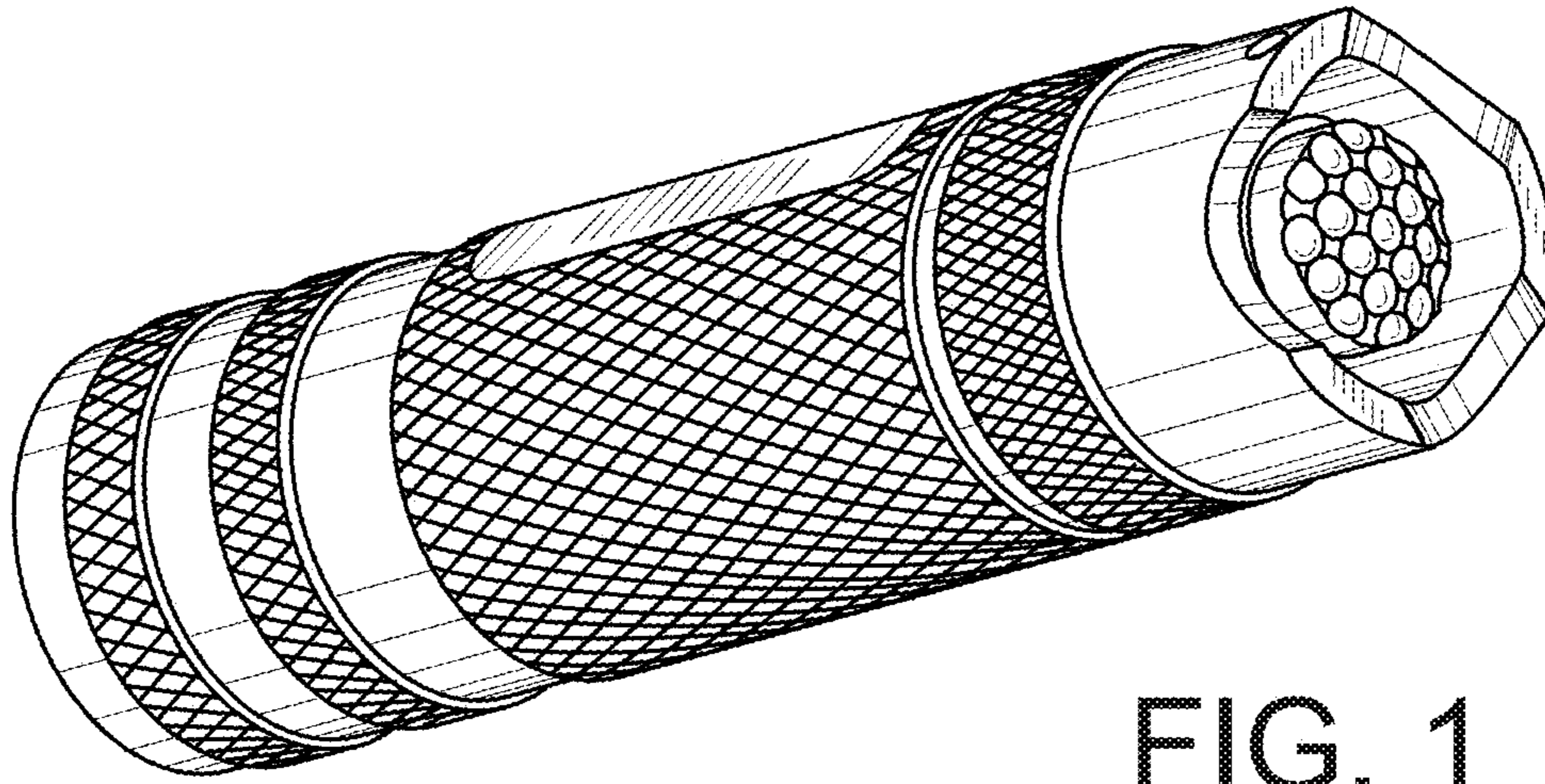


FIG. 1

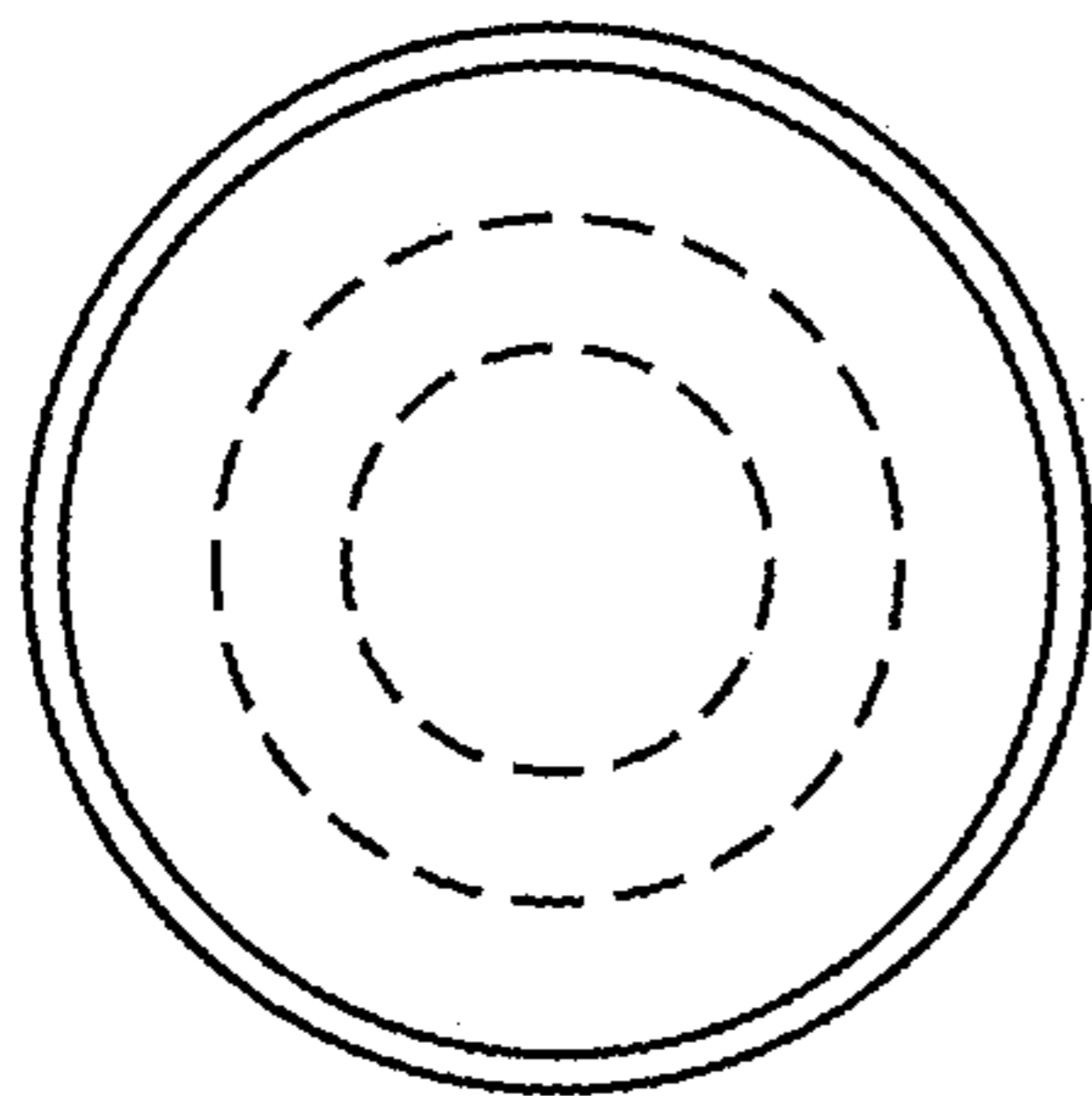


FIG. 2

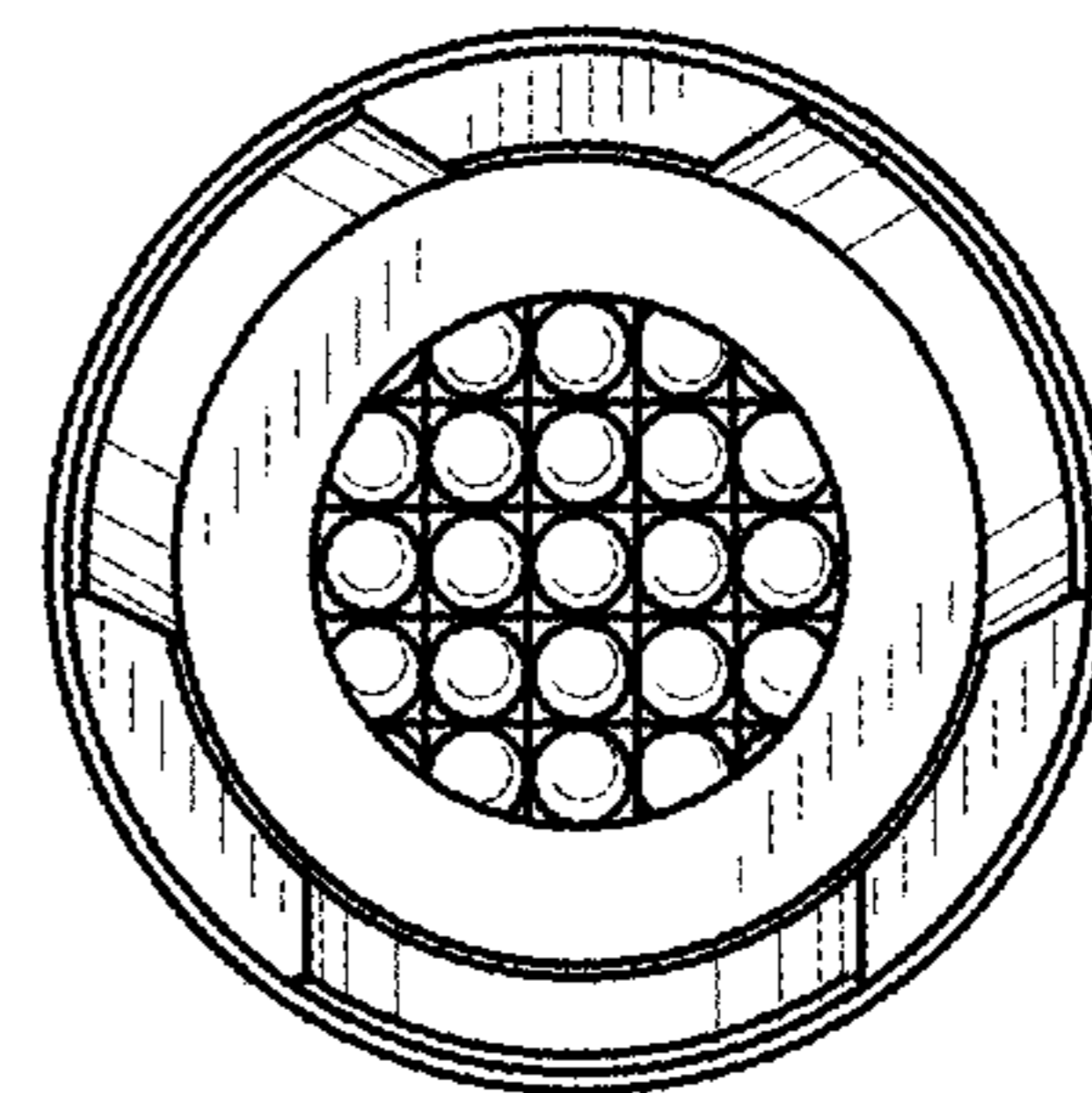


FIG. 3

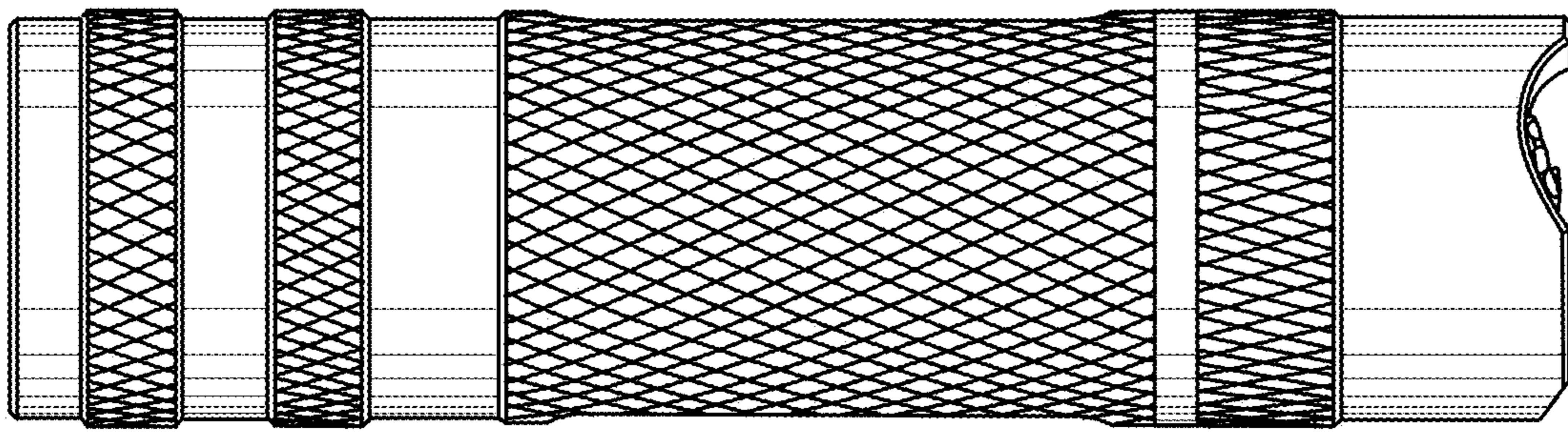


FIG. 4

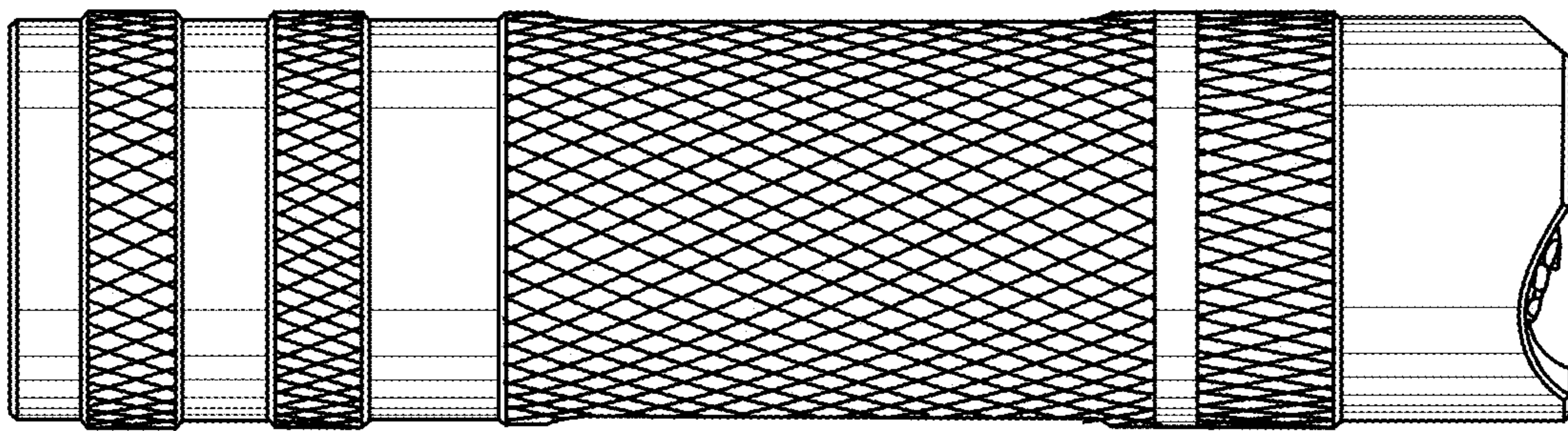


FIG. 5

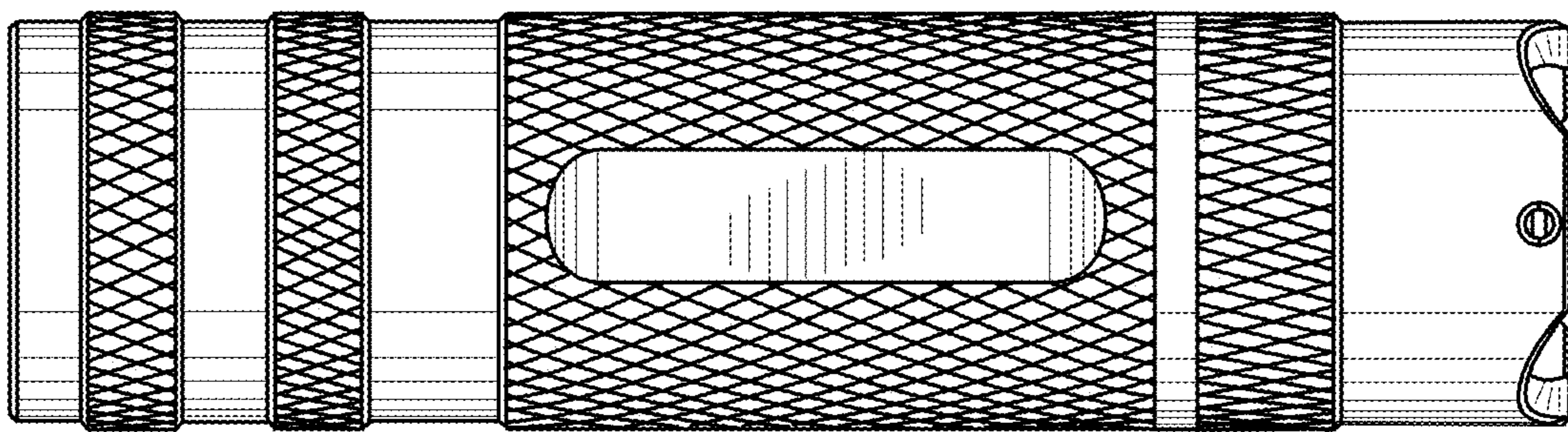


FIG. 6

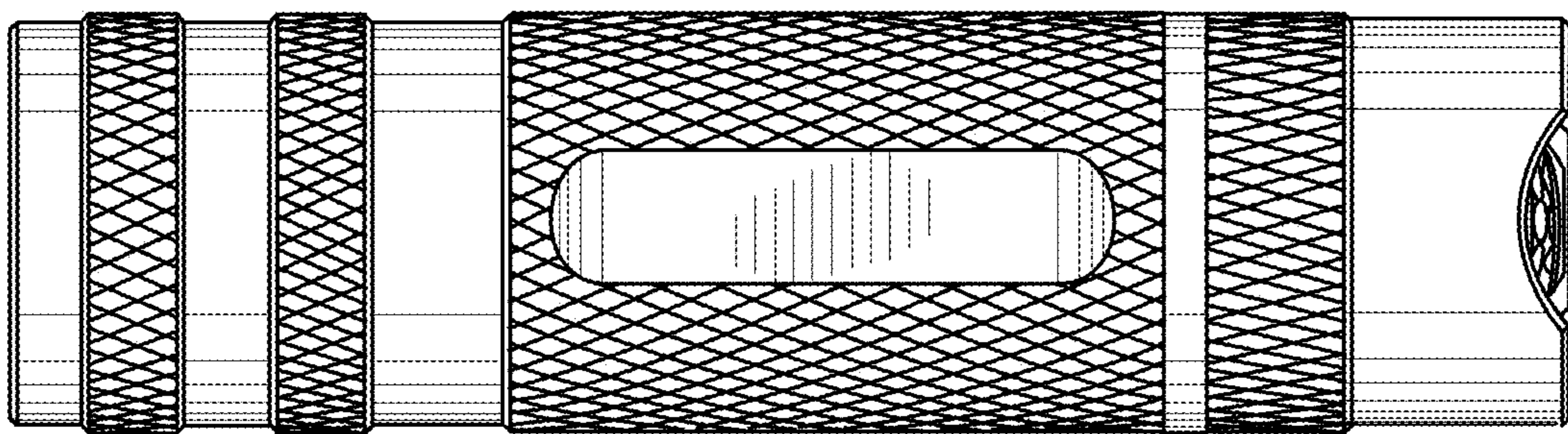


FIG. 7