



US00D905301S

(12) **United States Design Patent** (10) **Patent No.:** **US D905,301 S**  
**Wu** (45) **Date of Patent:** **\*\* Dec. 15, 2020**

(54) **VEHICLE LIGHT**  
(71) Applicant: **COPLUS INC.**, Tainan (TW)  
(72) Inventor: **Po-Hua Wu**, Tainan (TW)  
(73) Assignee: **COPLUS INC.**, Tainan (TW)  
(\*\*) Term: **15 Years**

D631,177 S \* 1/2011 Yang ..... D26/28  
D637,320 S \* 5/2011 Yang ..... D26/28  
D703,847 S \* 4/2014 MacKay ..... D26/28  
D849,290 S \* 5/2019 Lin ..... D26/28  
D871,624 S \* 12/2019 Lin ..... D26/28  
D874,033 S \* 1/2020 Park Cheng ..... D26/28  
D874,039 S \* 1/2020 He ..... D26/28  
D874,040 S \* 1/2020 He ..... D26/28  
D874,696 S \* 2/2020 He ..... D26/28

\* cited by examiner

(21) Appl. No.: **29/702,971**  
(22) Filed: **Aug. 22, 2019**

*Primary Examiner* — Angela J Lee

(74) *Attorney, Agent, or Firm* — Lewis Roca Rothgerber  
Christie LLP

(30) **Foreign Application Priority Data**

Mar. 7, 2019 (TW) ..... 108301282

(51) **LOC (12) Cl.** ..... **26-06**

(52) **U.S. Cl.**

USPC ..... **D26/28**

(58) **Field of Classification Search**

USPC ..... D26/28, 29, 30, 31, 32, 33, 34, 35, 36

CPC ..... F21S 48/00; F21S 48/10; F21S 48/115;

F21S 48/225; F21S 48/1233; F21S

48/1266; F21S 48/1388; F21S 48/2268;

F21V 21/04; F21W 2103/35; F21W 3/40;

F21W 2102/17; F21W 2102/30; F21W

2103/00; F21W 2103/55; F21W 2104/00;

F21W 2107/17; F21W 2107/13

See application file for complete search history.

(56) **References Cited**

**U.S. PATENT DOCUMENTS**

D506,557 S \* 6/2005 Lin ..... D26/28

D523,572 S \* 6/2006 Chuang ..... D26/28

(57) **CLAIM**

The ornamental design for vehicle light, as shown and described.

**DESCRIPTION**

FIG. 1 is front perspective view of a vehicle light;

FIG. 2 is a front view thereof;

FIG. 3 is a left side view thereof;

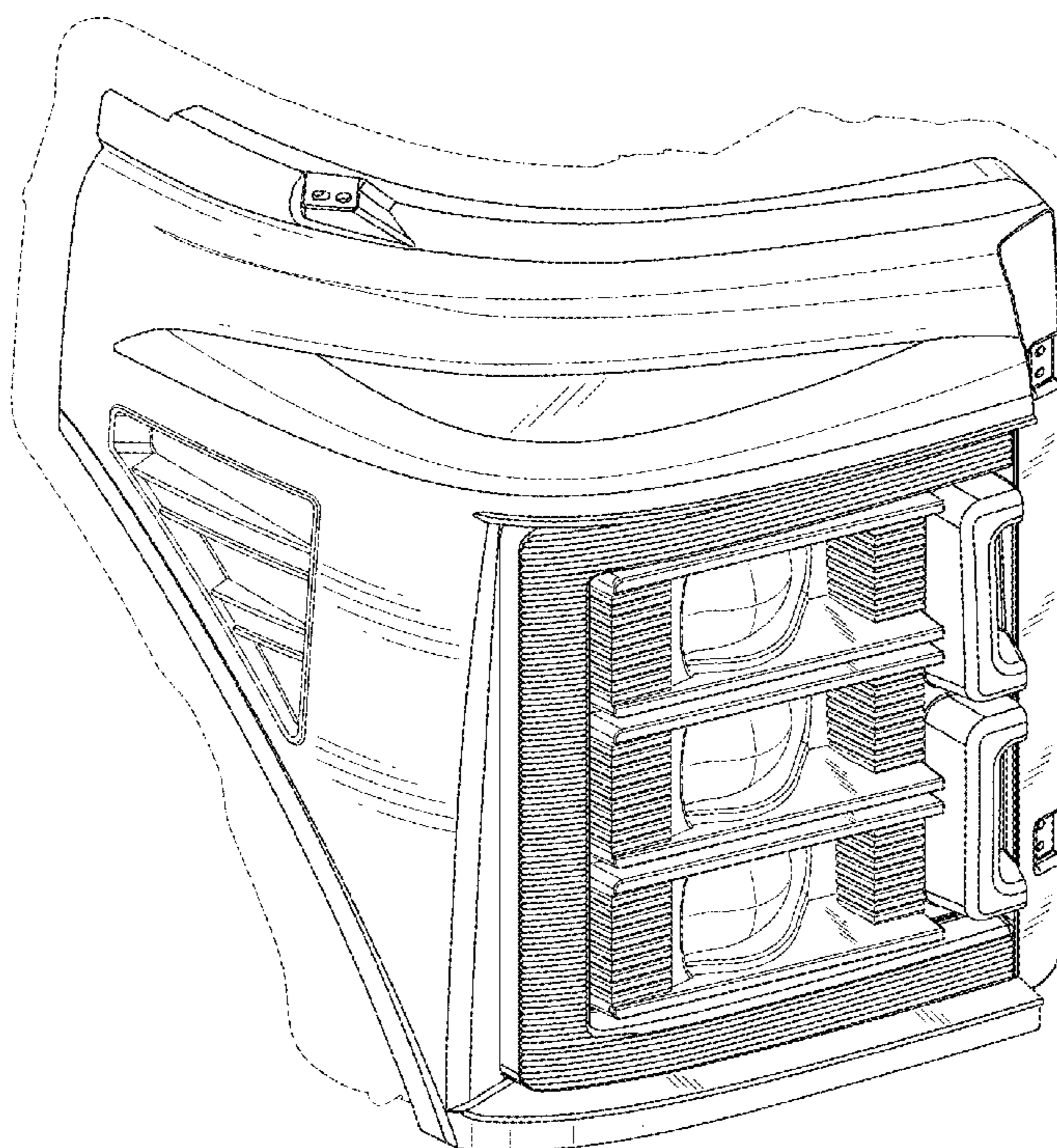
FIG. 4 is a right side view thereof;

FIG. 5 is a top view thereof; and,

FIG. 6 is a bottom view thereof.

The broken lines in the drawings are for illustrative purpose only and form no part of the claimed design.

**1 Claim, 6 Drawing Sheets**



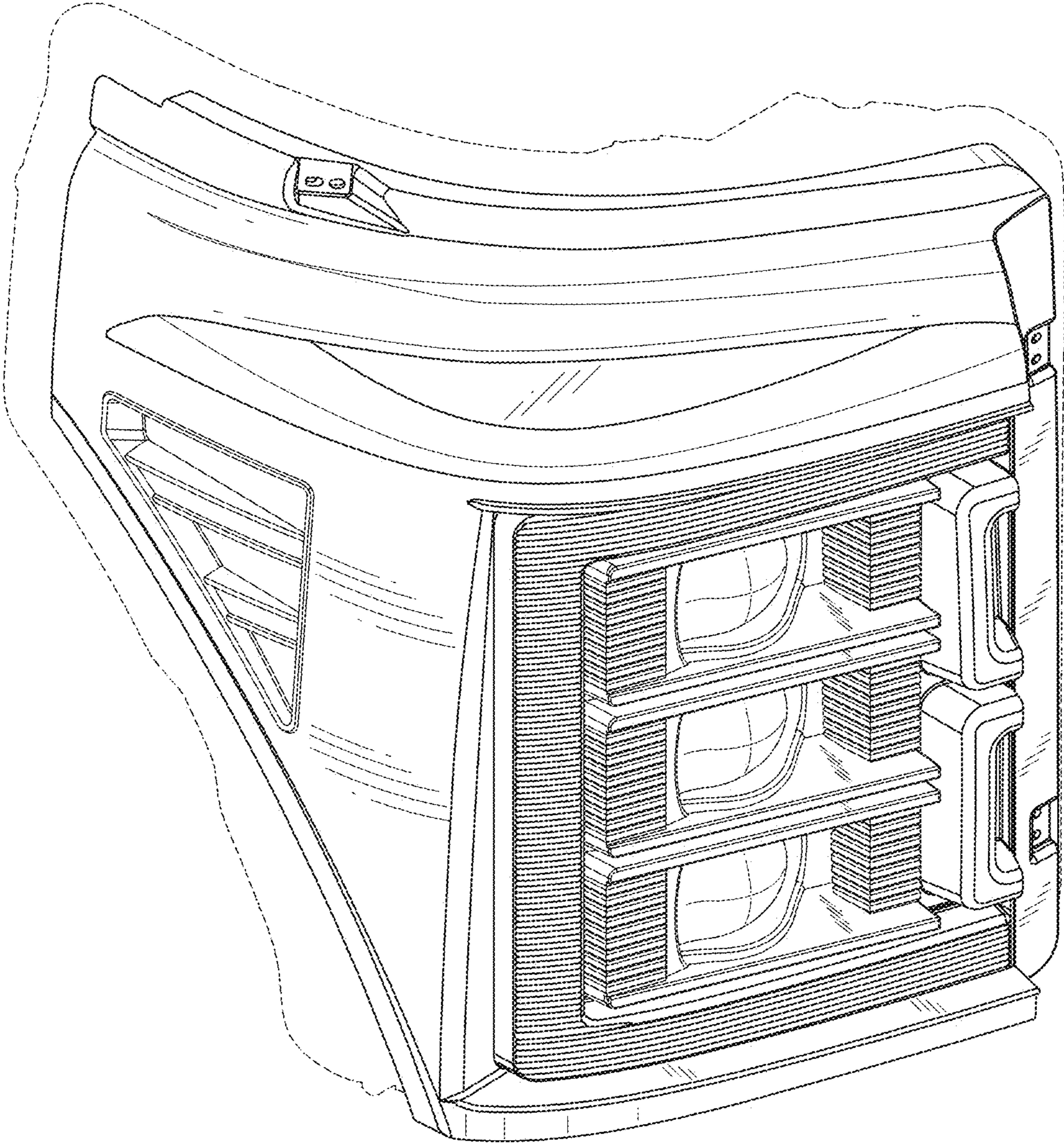


FIG. 1

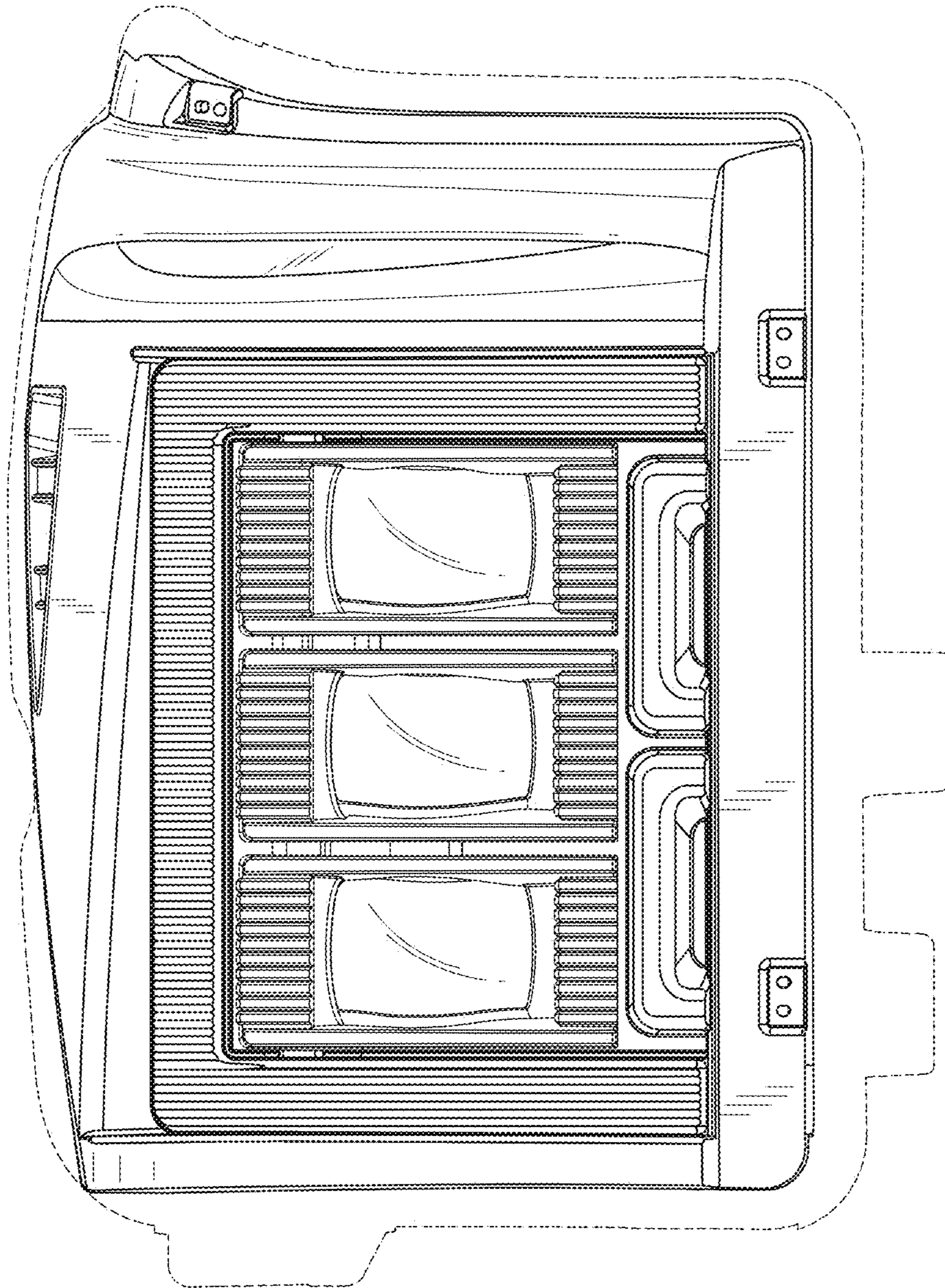


FIG. 2

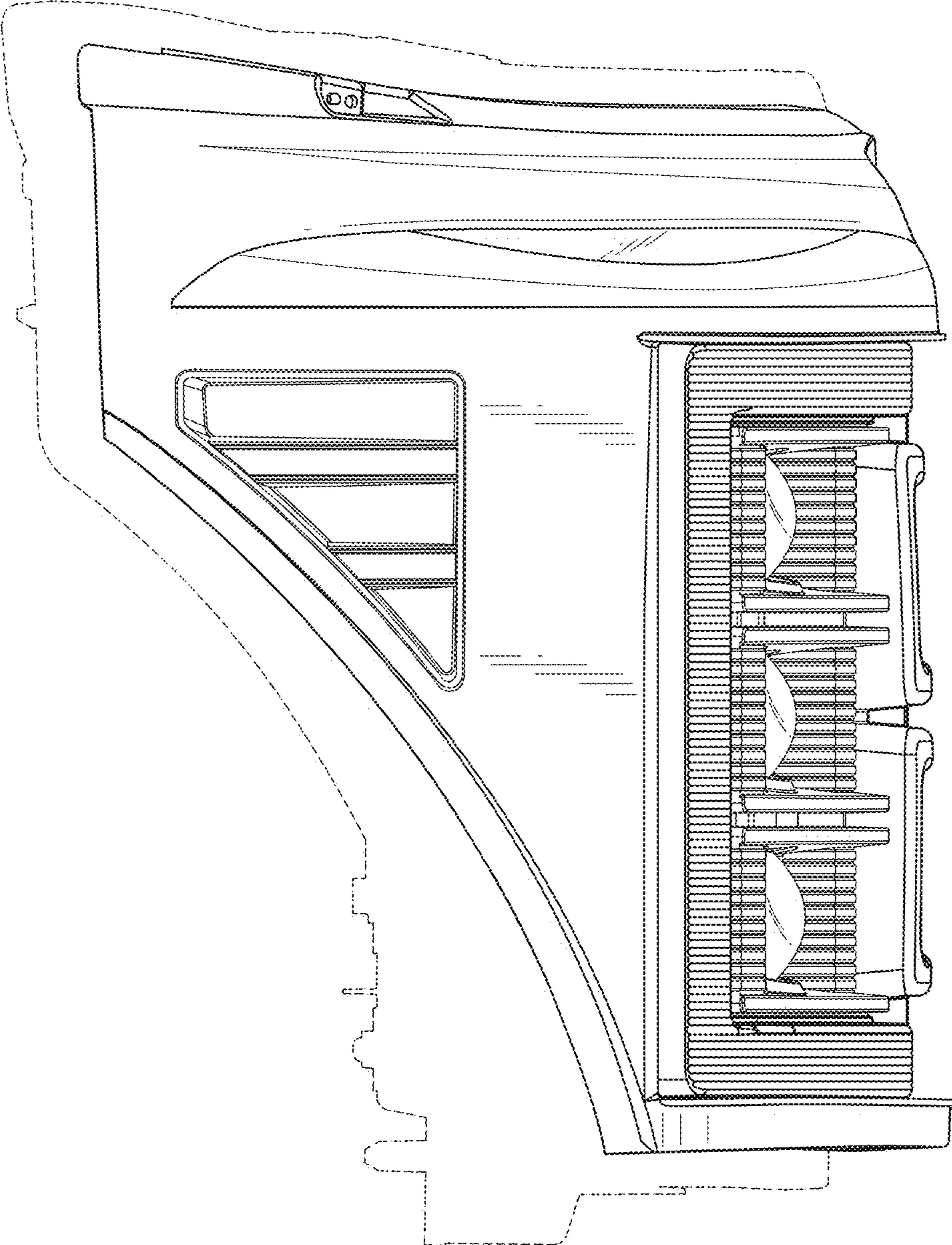


FIG. 3

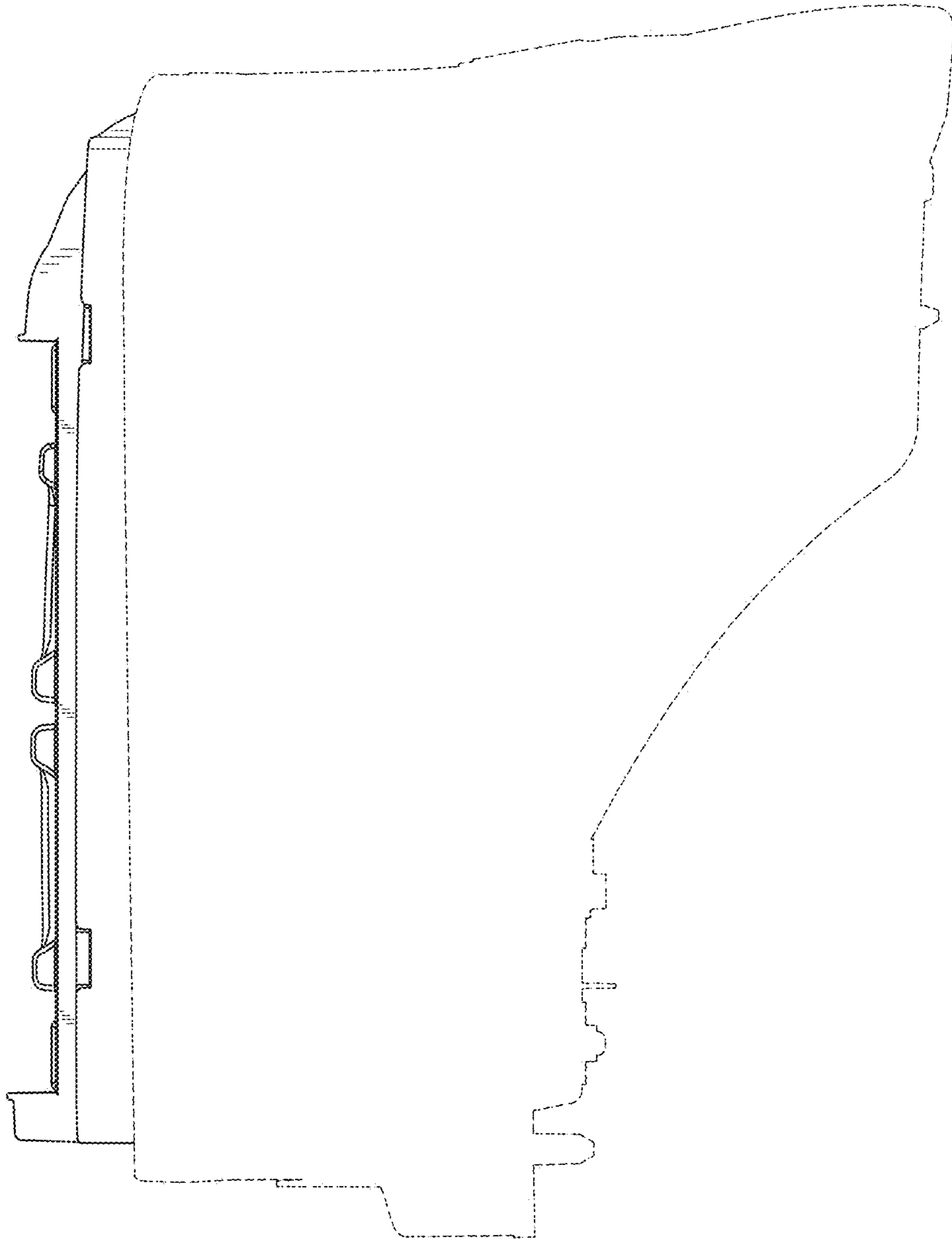


FIG. 4

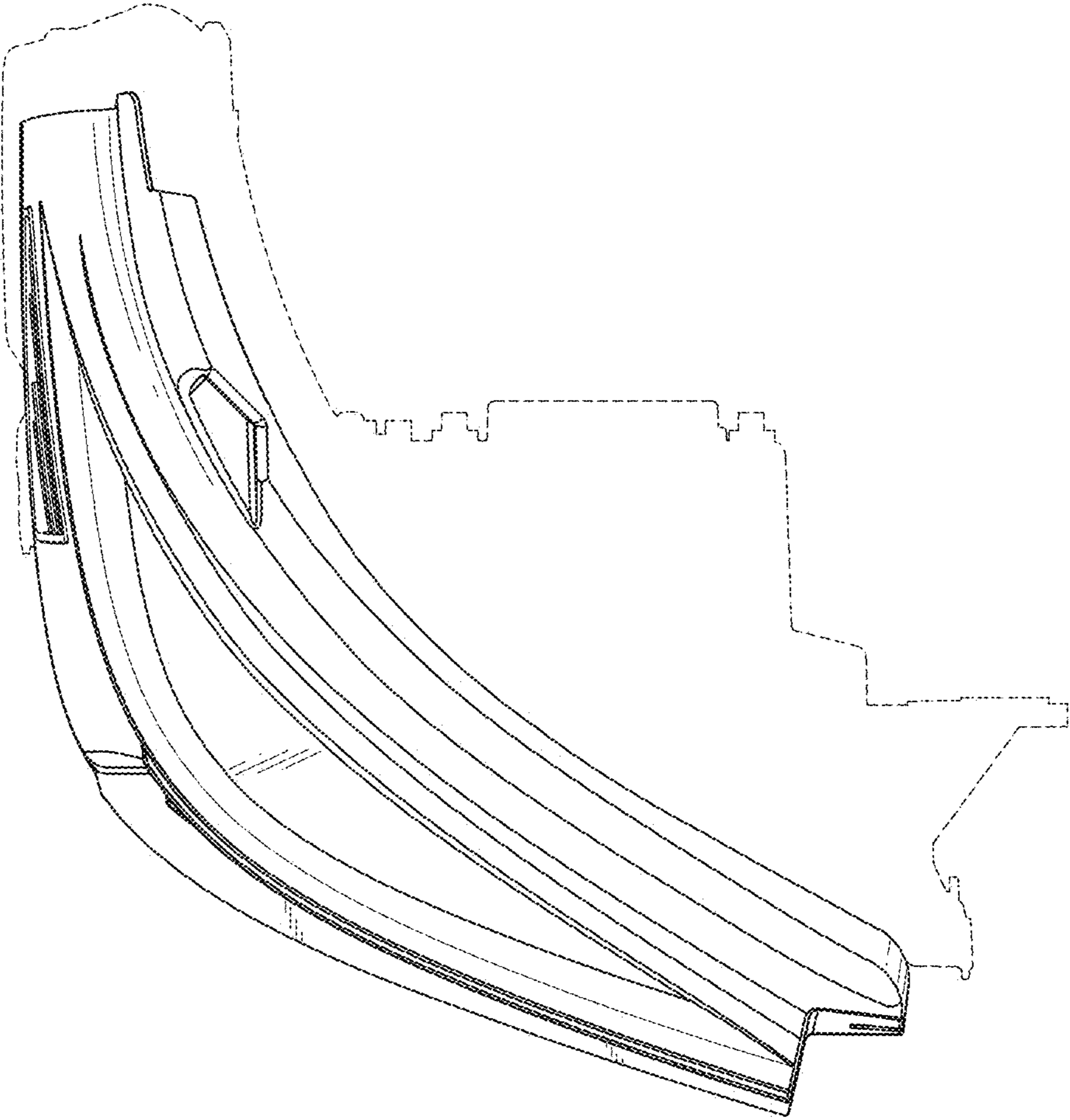


FIG. 5

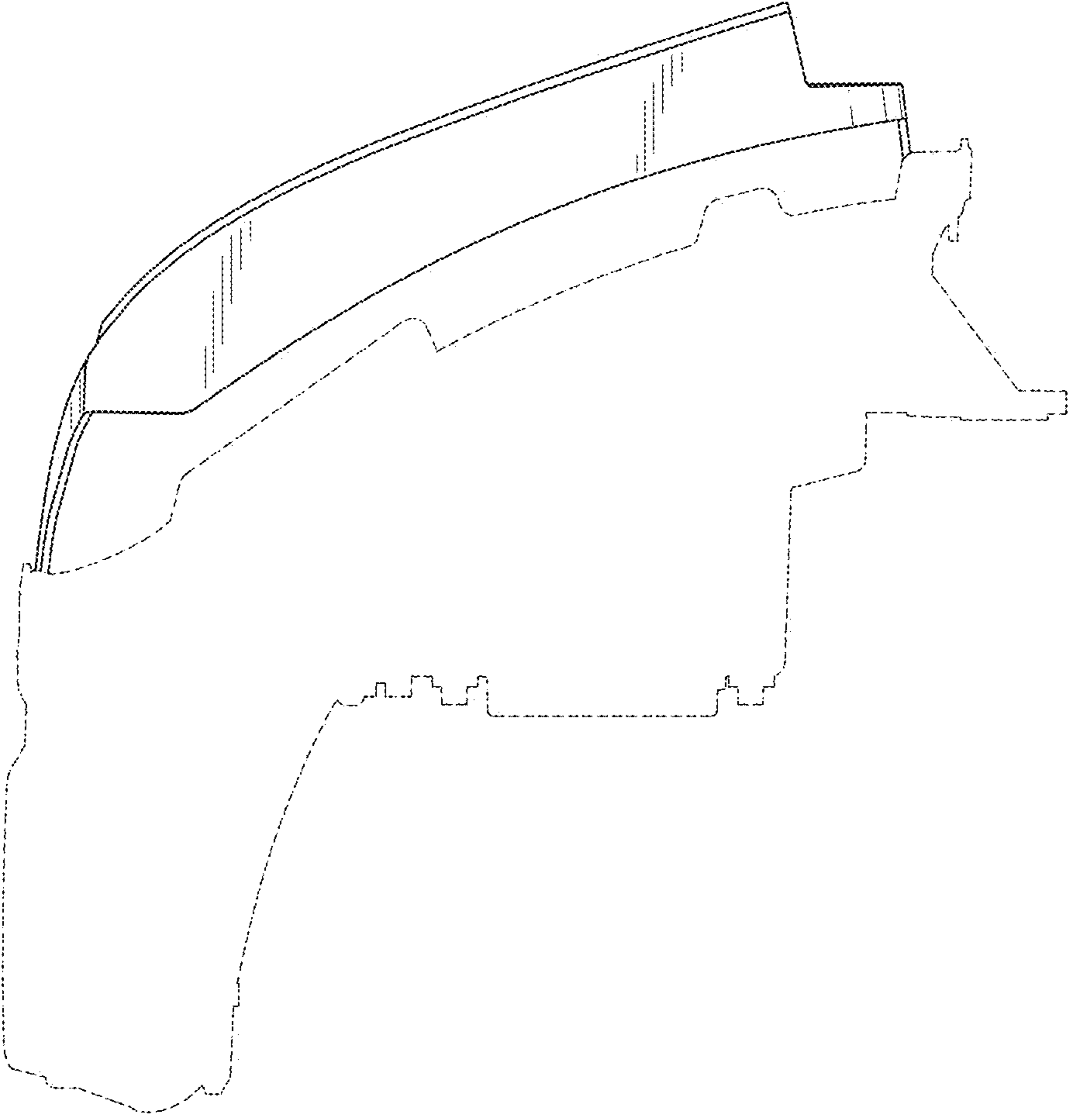


FIG. 6