



US00D905299S

(12) **United States Design Patent**
Zhang et al.

(10) **Patent No.:** **US D905,299 S**

(45) **Date of Patent:** **** Dec. 15, 2020**

(54) **NIGHT LIGHT**

(71) Applicant: **Zhongshan Winstar Electrical Co., Ltd.**, Guangdong (CN)

(72) Inventors: **Baohua Zhang**, Guangdong (CN);
Guozhao Tan, Guangdong (CN)

(73) Assignee: **Zhongshan Winstar Electrical Co., Ltd.**, Zhongshan (CN)

(**) Term: **15 Years**

(21) Appl. No.: **29/685,038**

(22) Filed: **Mar. 26, 2019**

(30) **Foreign Application Priority Data**

Jan. 11, 2019 (CN) 2019 3 0015018

(51) **LOC (12) Cl.** **26-05**

(52) **U.S. Cl.**
USPC **D26/26**

(58) **Field of Classification Search**
USPC D26/26, 24, 113, 118, 119, 120;
D23/366, 367, 369; 362/640, 641, 642,
362/643, 644, 650, 651, 652, 653, 659
See application file for complete search history.

(56) **References Cited**

U.S. PATENT DOCUMENTS

D429,829 S * 8/2000 Doran D13/137.1
D618,833 S * 6/2010 Wei D26/26

D633,237 S * 2/2011 Wang D26/26
D642,708 S * 8/2011 Kaule D26/26
D642,709 S * 8/2011 Kang D26/26
D645,175 S * 9/2011 Stolte D26/26
D720,092 S * 12/2014 Trice D26/26
D772,441 S * 11/2016 Burke D26/26
D818,155 S * 5/2018 Trice D26/26
D864,429 S * 10/2019 Zhang D26/26
D865,233 S * 10/2019 Lange D26/26
D867,628 S * 11/2019 Rego D26/26
D869,014 S * 12/2019 Wu D26/26

* cited by examiner

Primary Examiner — Angela J Lee

(57) **CLAIM**

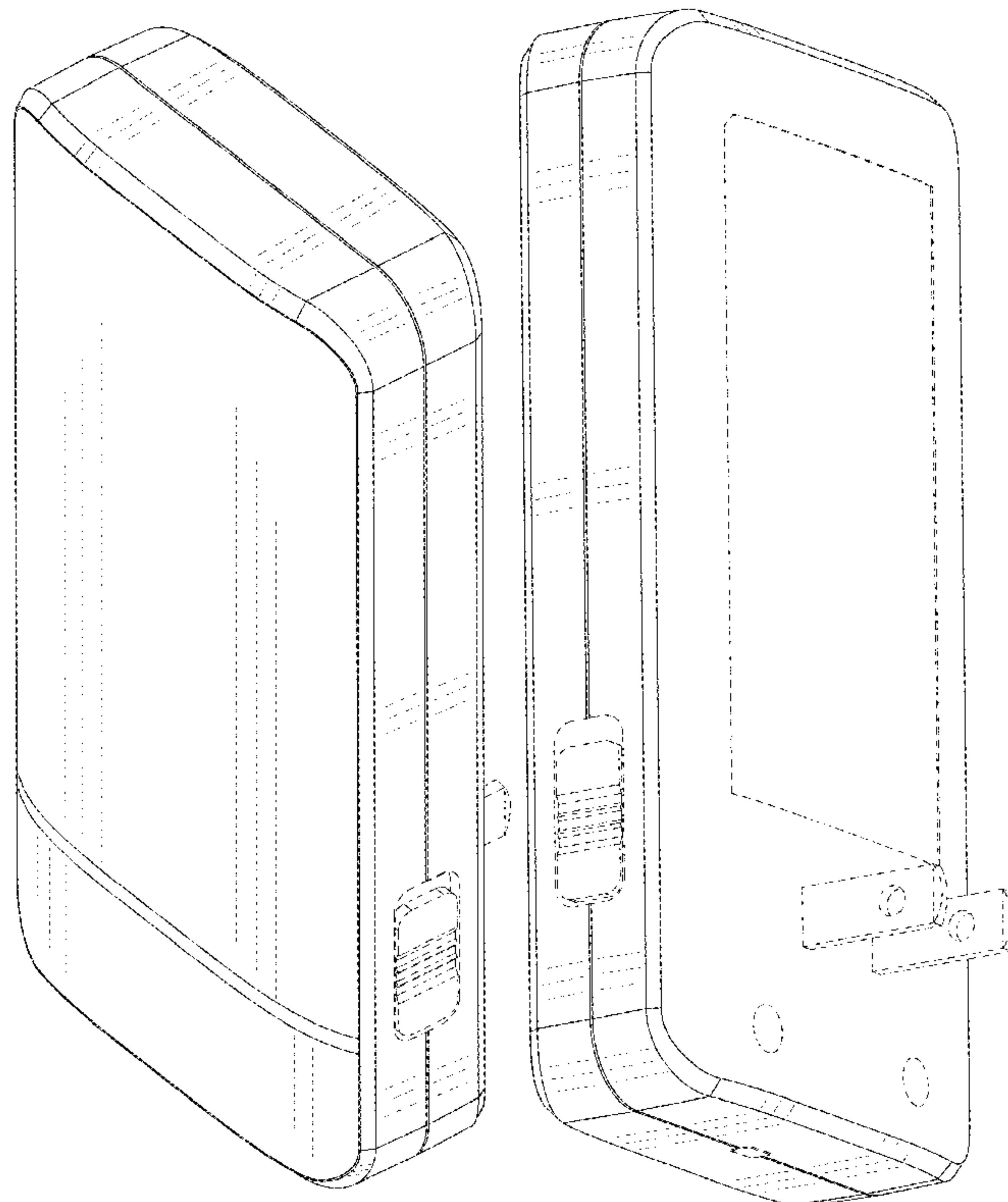
The ornamental design for a night light, as shown and described.

DESCRIPTION

FIG. 1 is a front elevational view of a night light showing our new design;
FIG. 2 is a rear elevational view thereof;
FIG. 3 is a top plan view thereof;
FIG. 4 is a bottom plan view thereof;
FIG. 5 is a left side view thereof;
FIG. 6 is a right side view thereof;
FIG. 7 is a top, front and right side perspective view thereof;
and,
FIG. 8 is a bottom, rear and right side perspective view thereof.

The broken lines in the drawings illustrate portions of the night light which form no part of the claimed design.

1 Claim, 8 Drawing Sheets



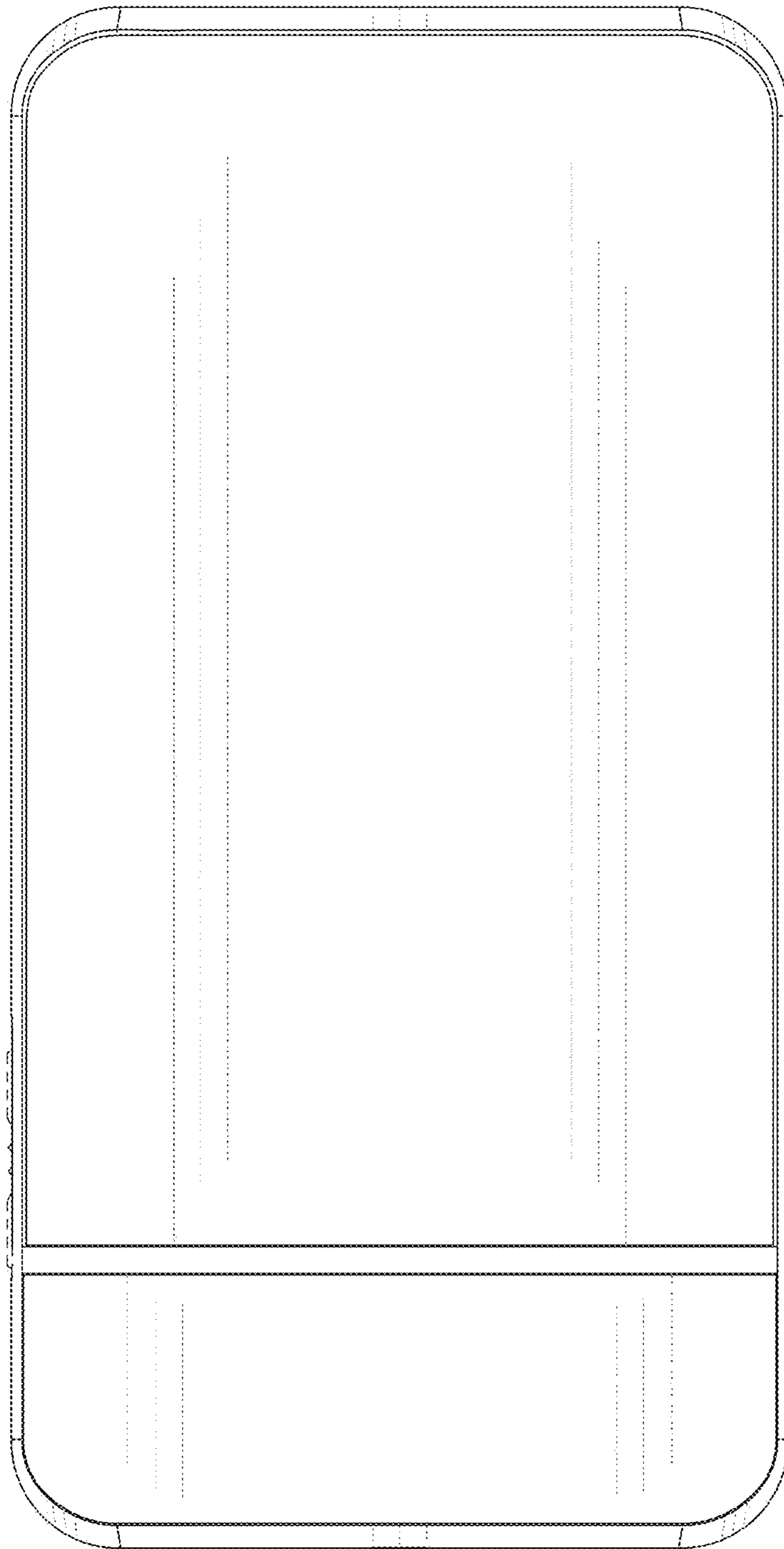


Fig. 1

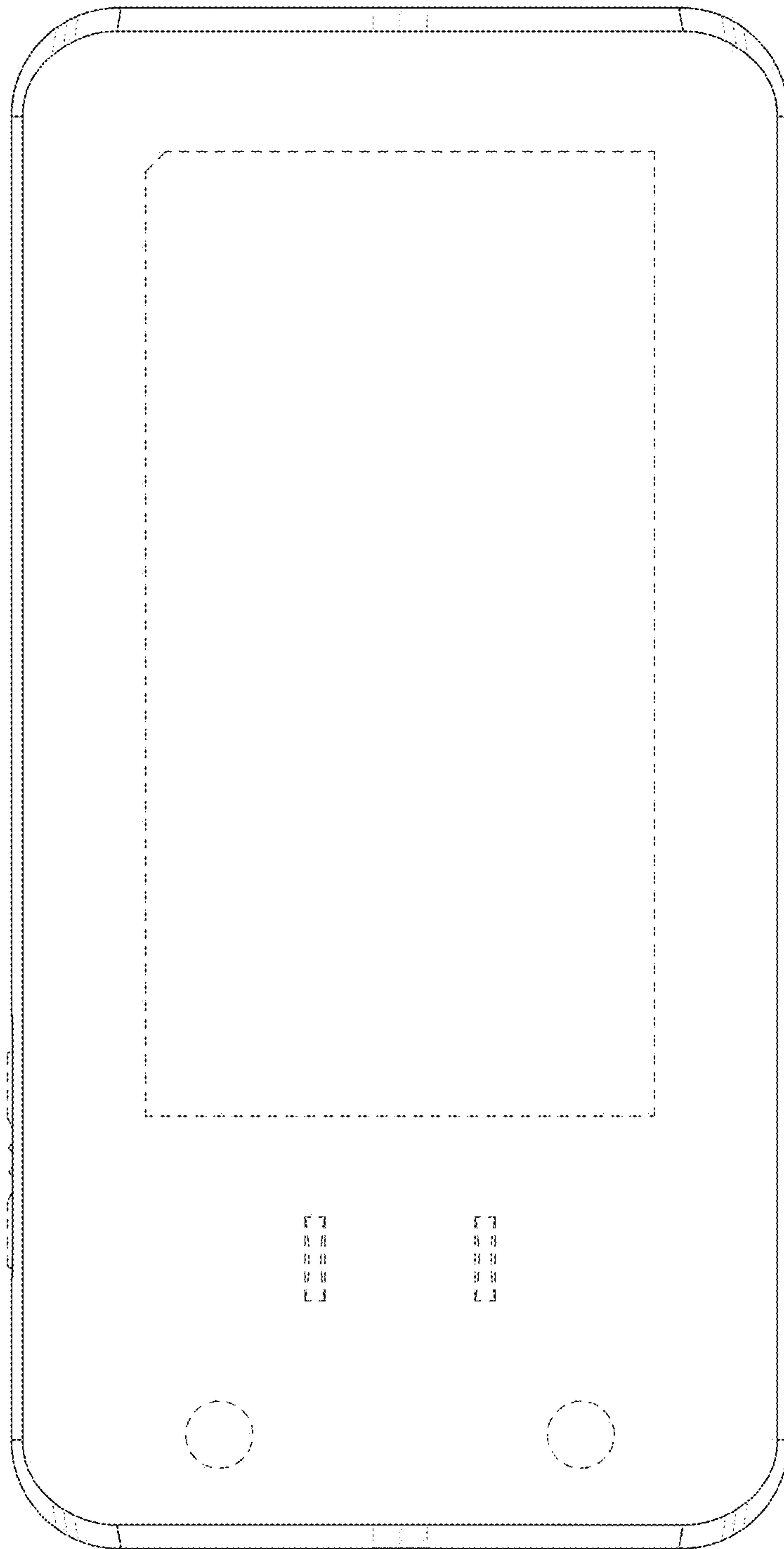


Fig. 2

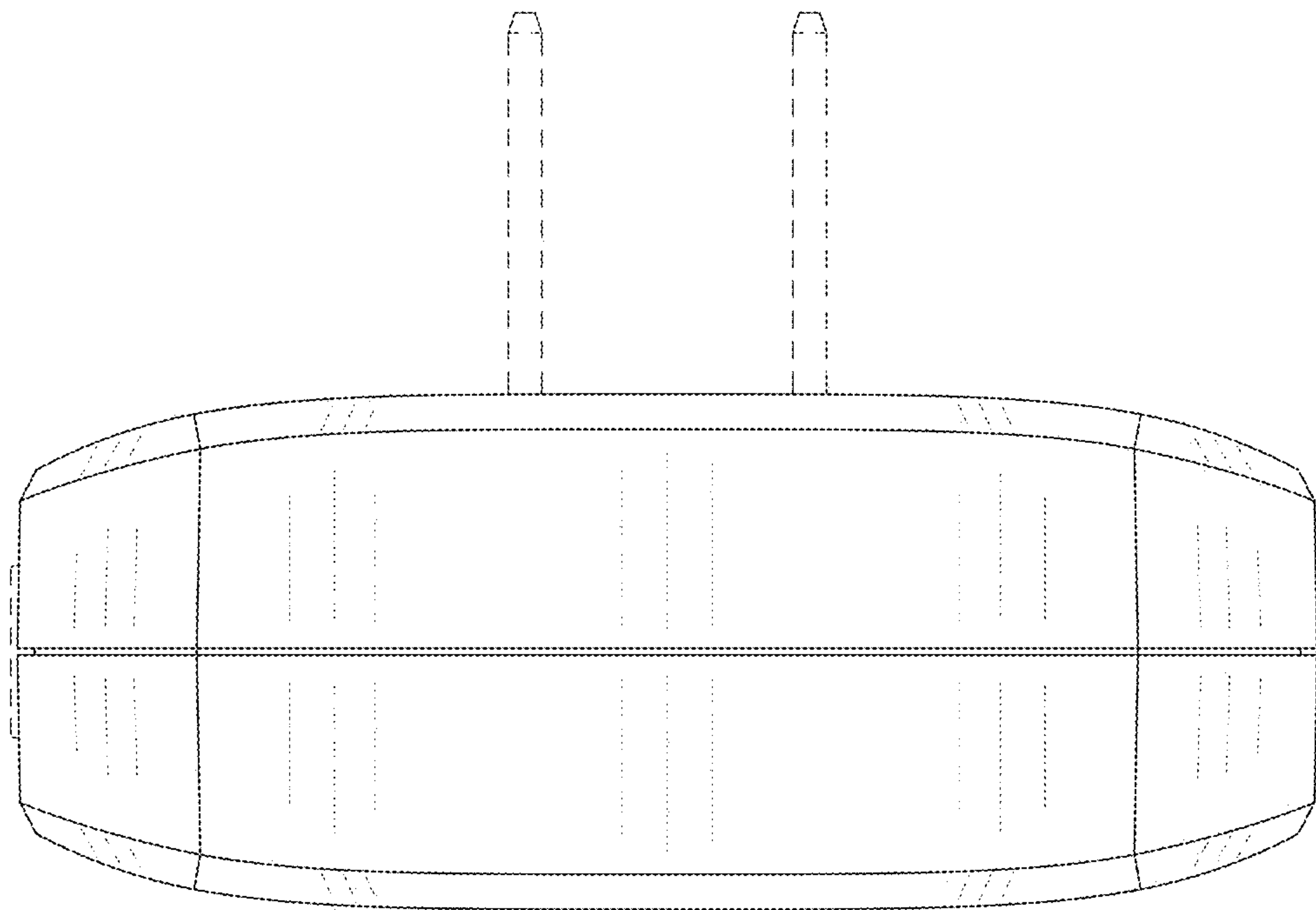


Fig. 3

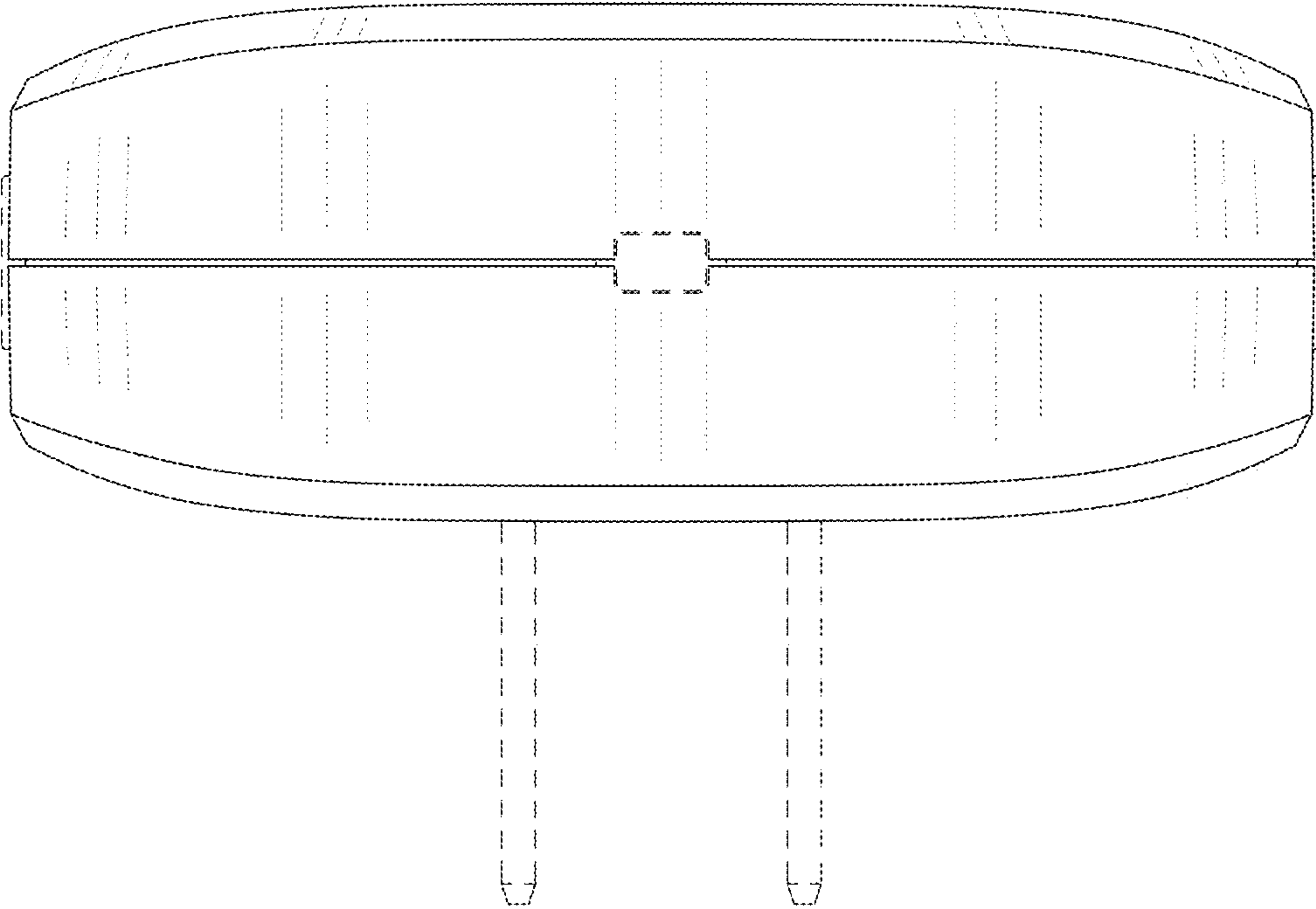


Fig. 4

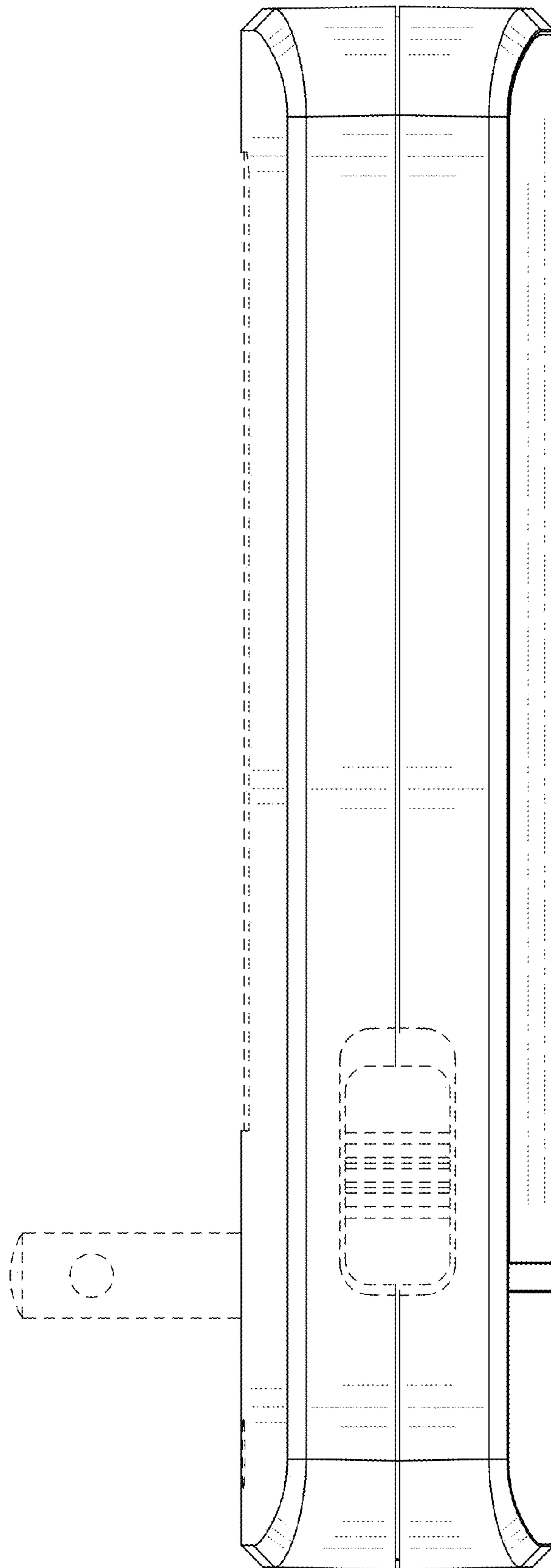


Fig.5

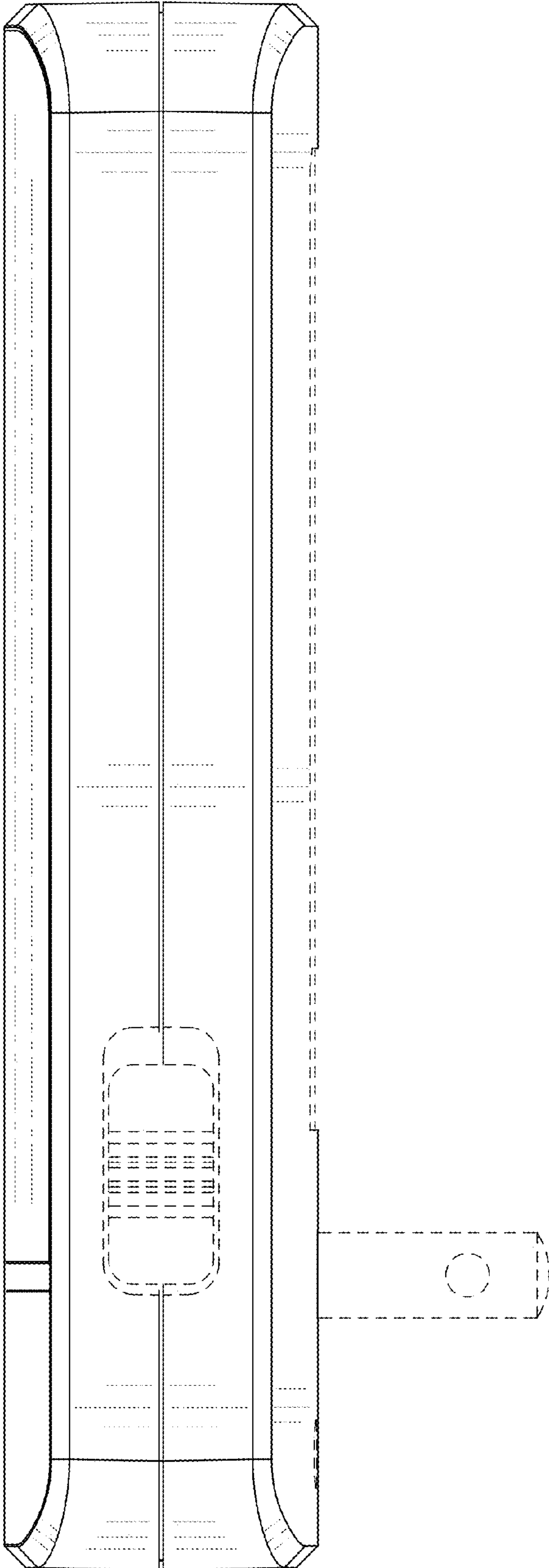


Fig.6

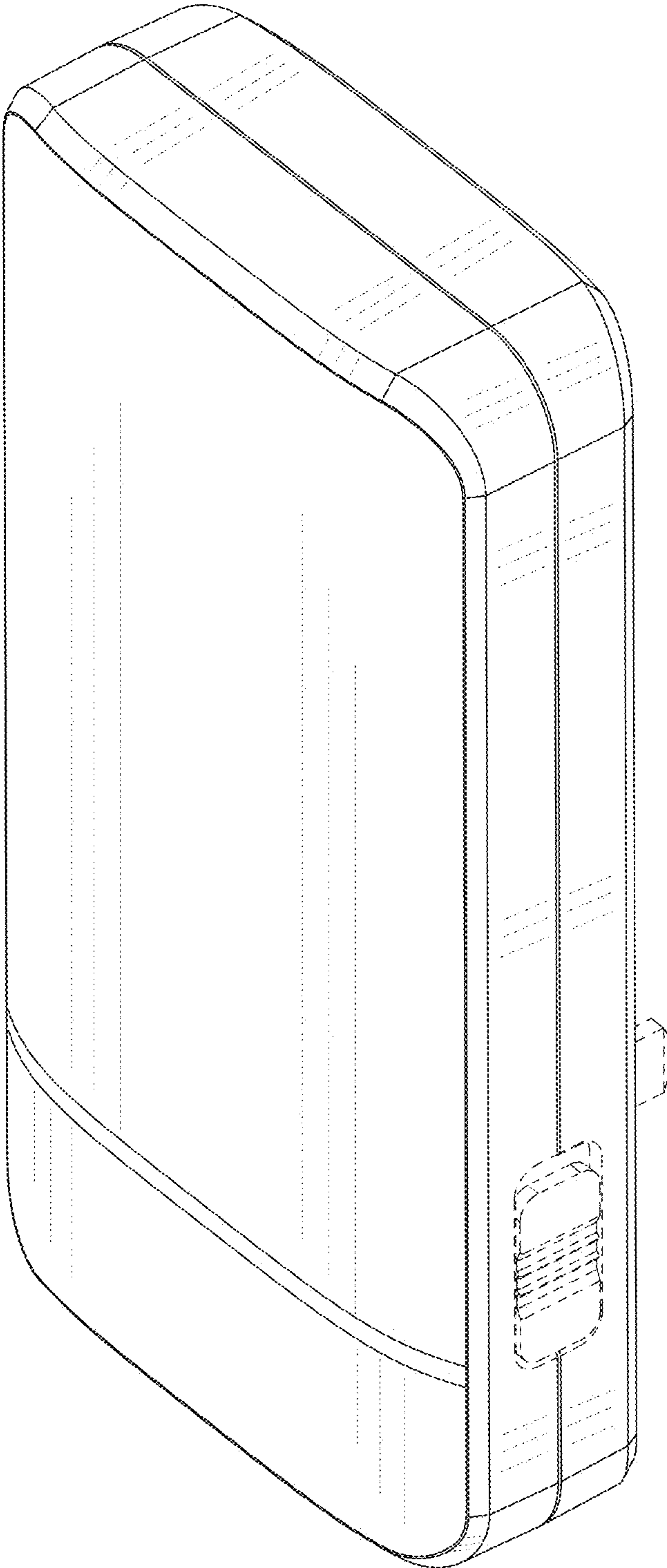


Fig. 7

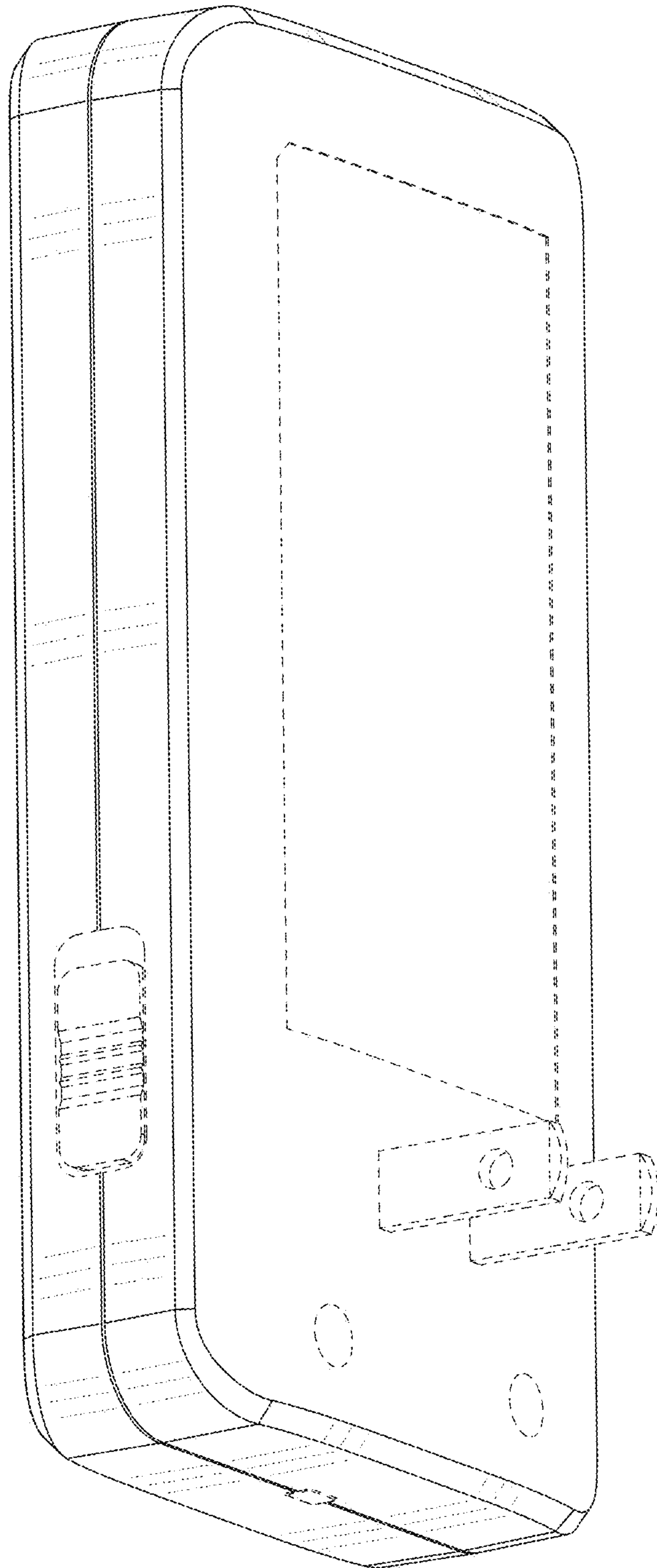


Fig. 8