



US00D905298S

(12) **United States Design Patent**
Wang

(10) **Patent No.:** **US D905,298 S**

(45) **Date of Patent:** **** Dec. 15, 2020**

- (54) **FILAMENT FOR A SMART BULB**
- (71) Applicant: **LEDISON SHENZHEN OPTOELECTRONICS CO., LTD,**
Guangdong (CN)
- (72) Inventor: **Peng Wang,** Guangdong (CN)
- (**) Term: **15 Years**
- (21) Appl. No.: **29/717,692**
- (22) Filed: **Dec. 18, 2019**
- (51) **LOC (12) Cl.** **26-04**
- (52) **U.S. Cl.**
USPC **D26/2**
- (58) **Field of Classification Search**
USPC D26/1-10
CPC H01R 5/00; H01R 13/46; H01R 13/514;
H01R 31/048; H01R 31/02; H01J 5/00;
H01J 5/16; H01J 1/02; H01J 15/00; H01J
5/48; H01J 5/50; H01J 19/54; F21V 5/00;
F21K 9/00; F21K 13/00
See application file for complete search history.

- D549,360 S * 8/2007 An D26/2
- D550,864 S * 9/2007 Hernandez, Jr. D26/2
- D689,215 S * 9/2013 Xue D26/2

* cited by examiner

Primary Examiner — Marcus A Jackson

(74) *Attorney, Agent, or Firm* — InHouse Co. Law Firm;
Theodore S. Lee, Esq.

(57) **CLAIM**

An ornamental design for a filament for a smart bulb, as shown and described.

DESCRIPTION

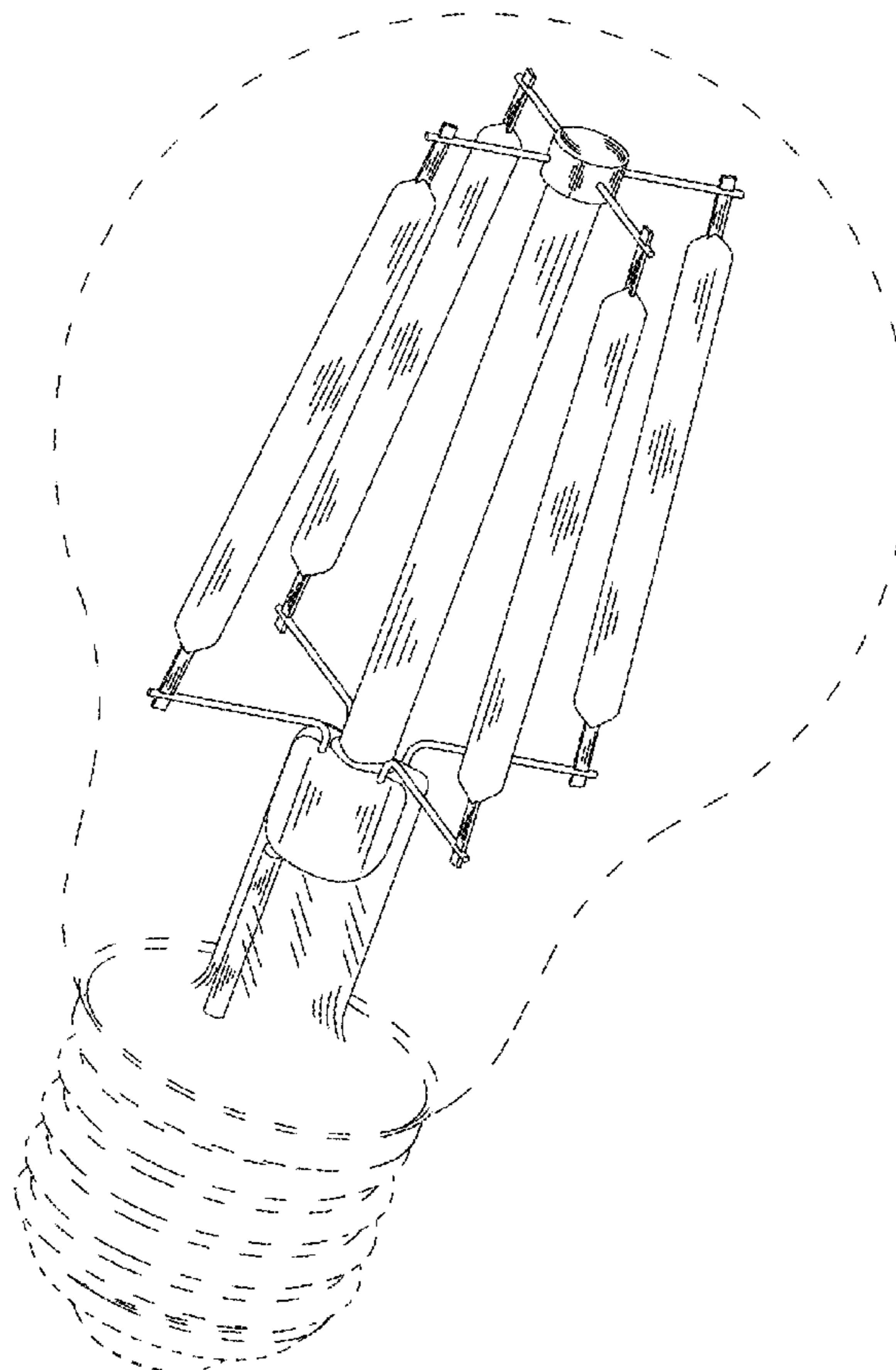
FIG. 1 is a front elevational view of a filament for a smart bulb;
 FIG. 2 is a rear elevational view thereof;
 FIG. 3 is a left side elevational view thereof;
 FIG. 4 is a right side elevational view thereof;
 FIG. 5 is a top plan view thereof;
 FIG. 6 is a bottom plan view thereof; and,
 FIG. 7 is a perspective view thereof.
 The broken lines are for illustrative purposes only and form no part of the claimed design.
 The design shown is not to be limited to any particular size and may be scaled larger or smaller.

(56) **References Cited**

U.S. PATENT DOCUMENTS

- D410,554 S * 6/1999 Guyton D26/2
- D422,099 S * 3/2000 Kracke D26/2

1 Claim, 7 Drawing Sheets



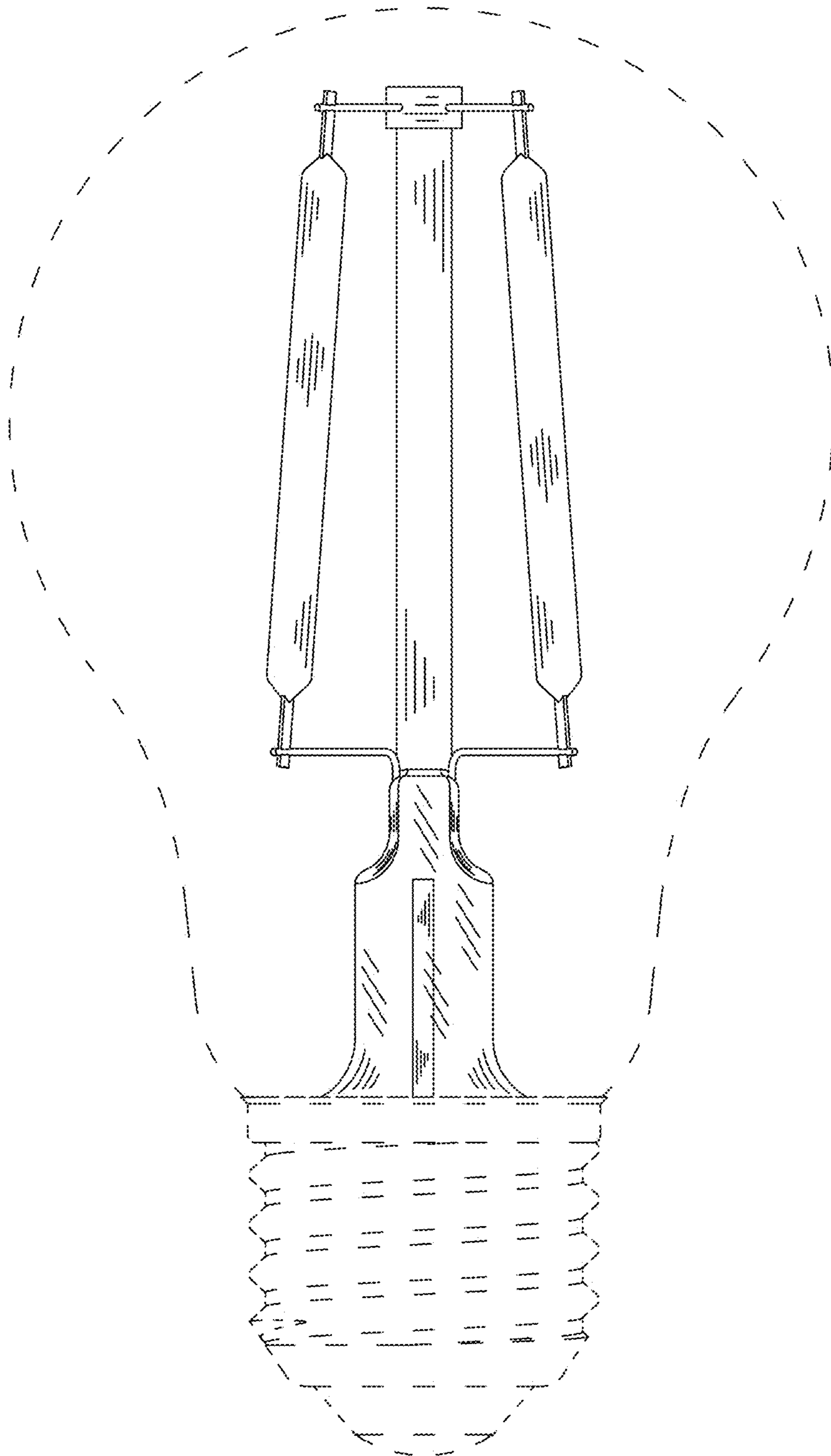


FIG. 1

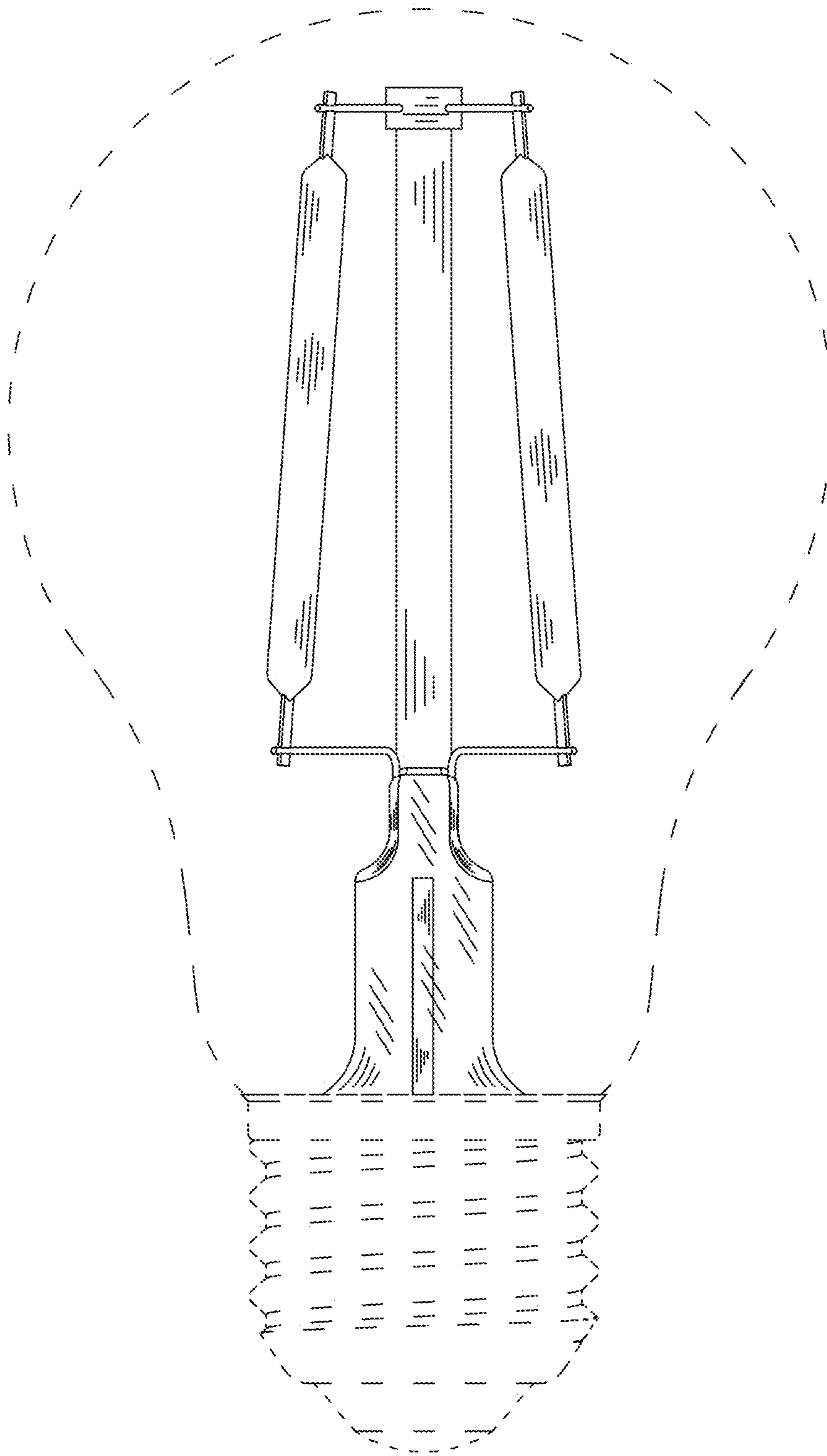


FIG. 2

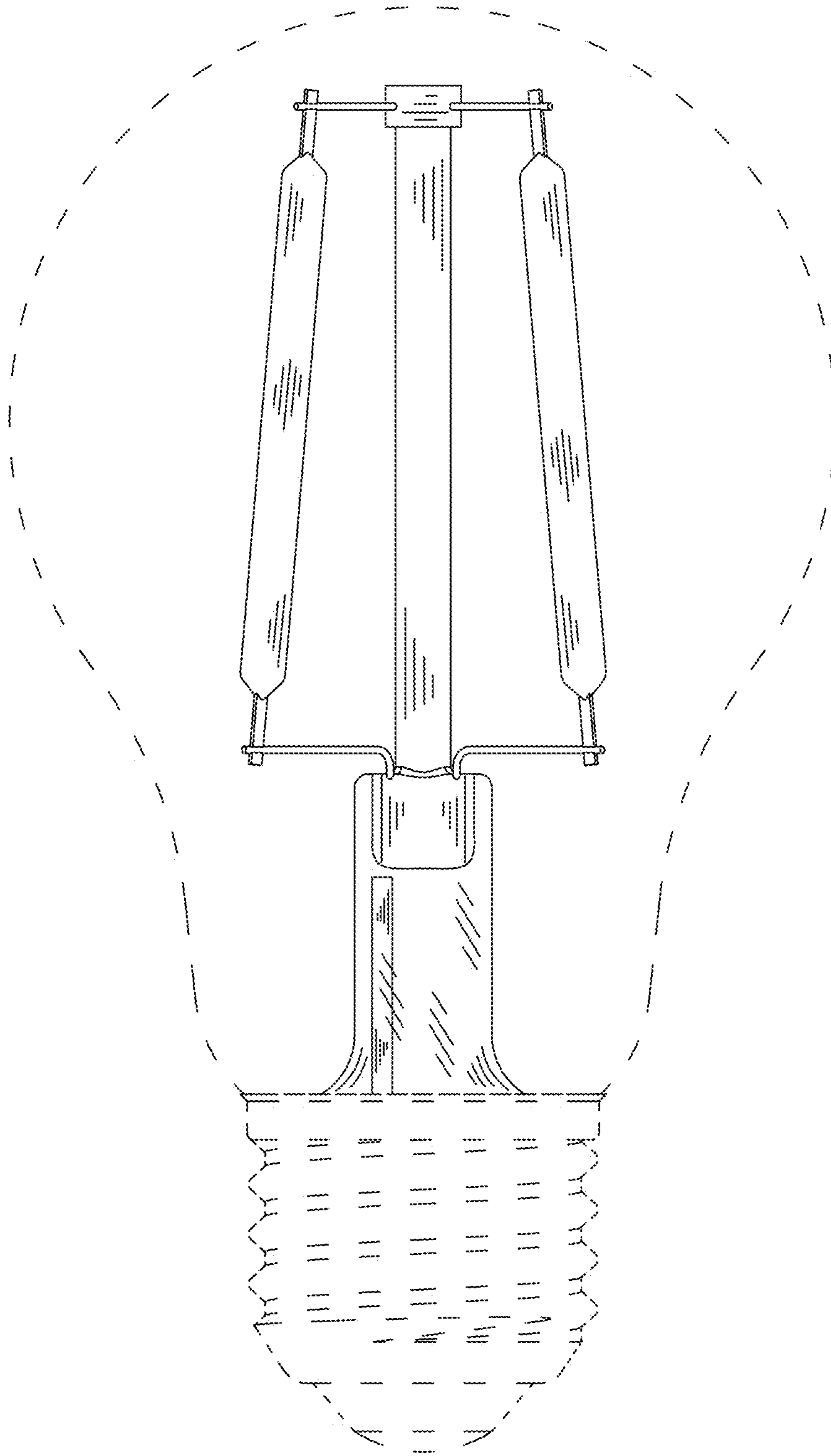


FIG. 3

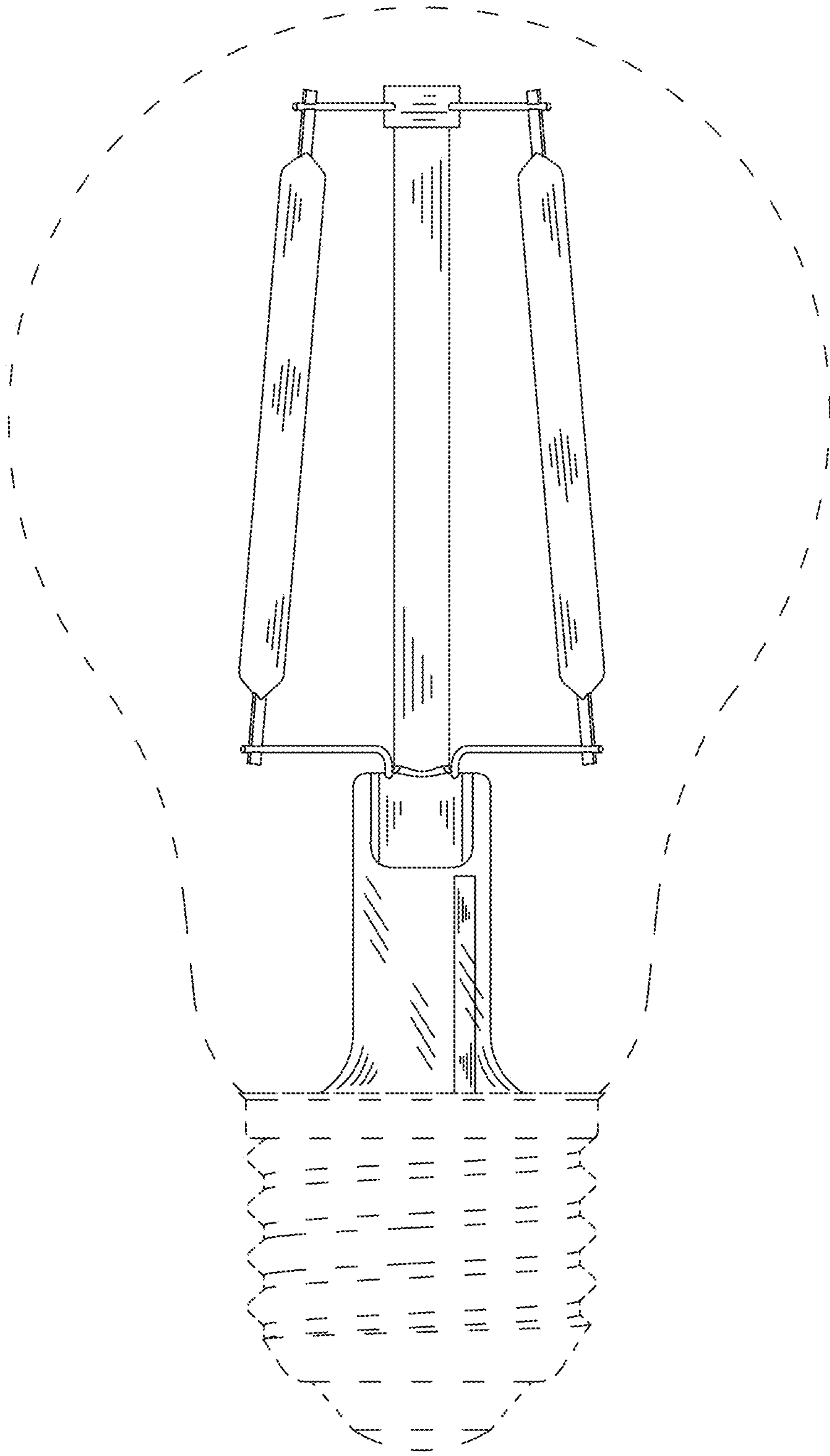


FIG. 4

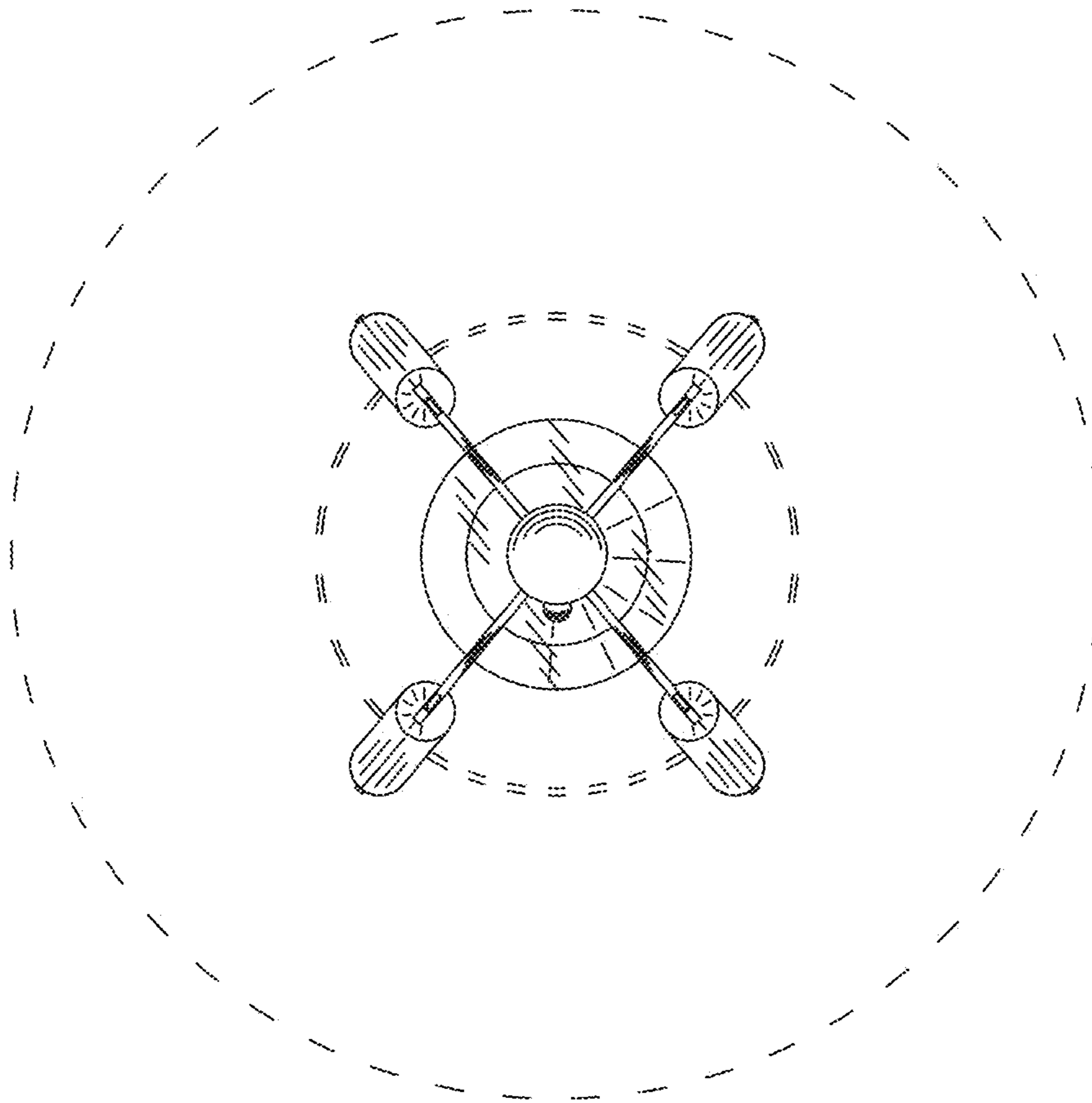


FIG. 5

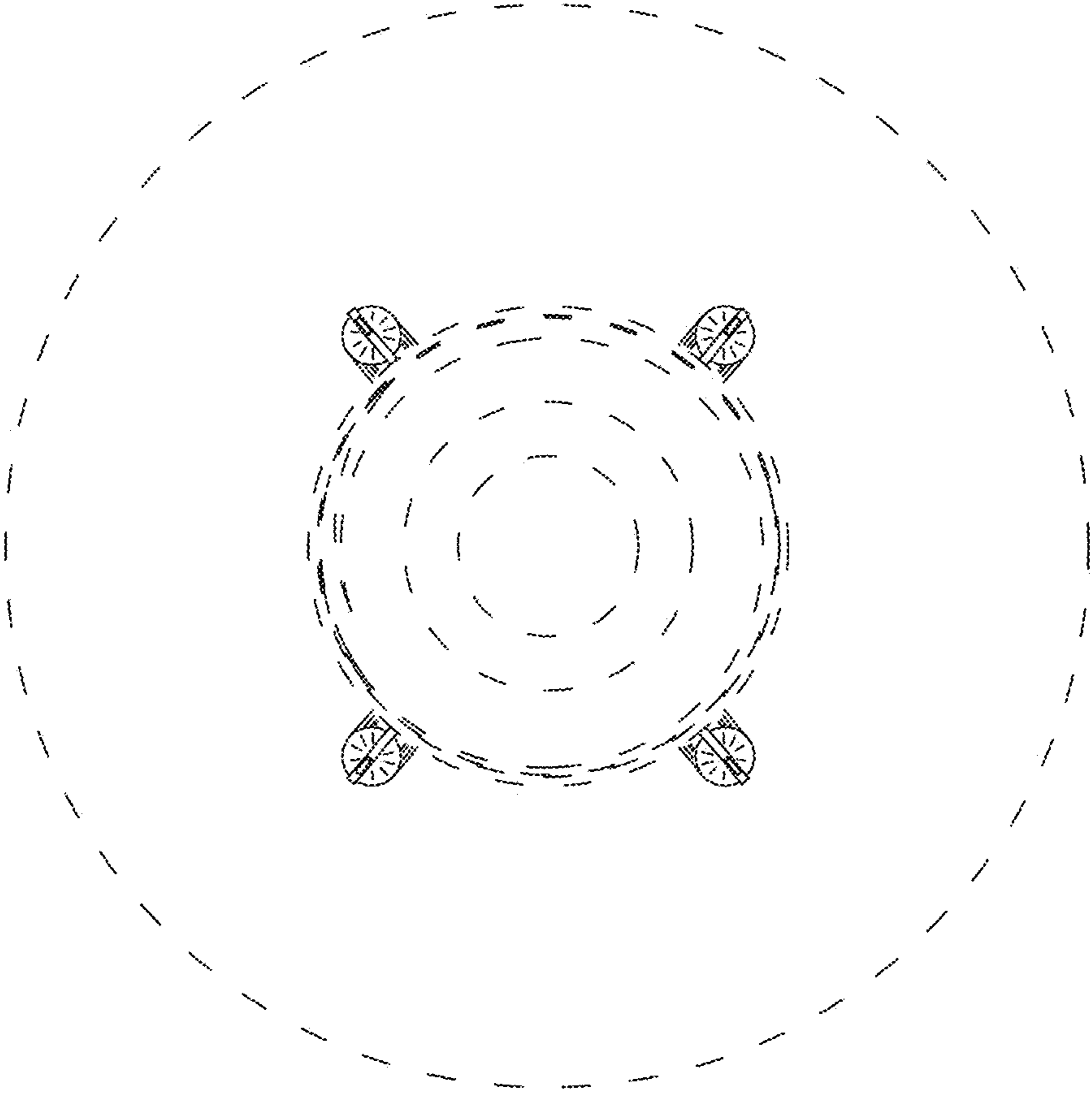


FIG. 6

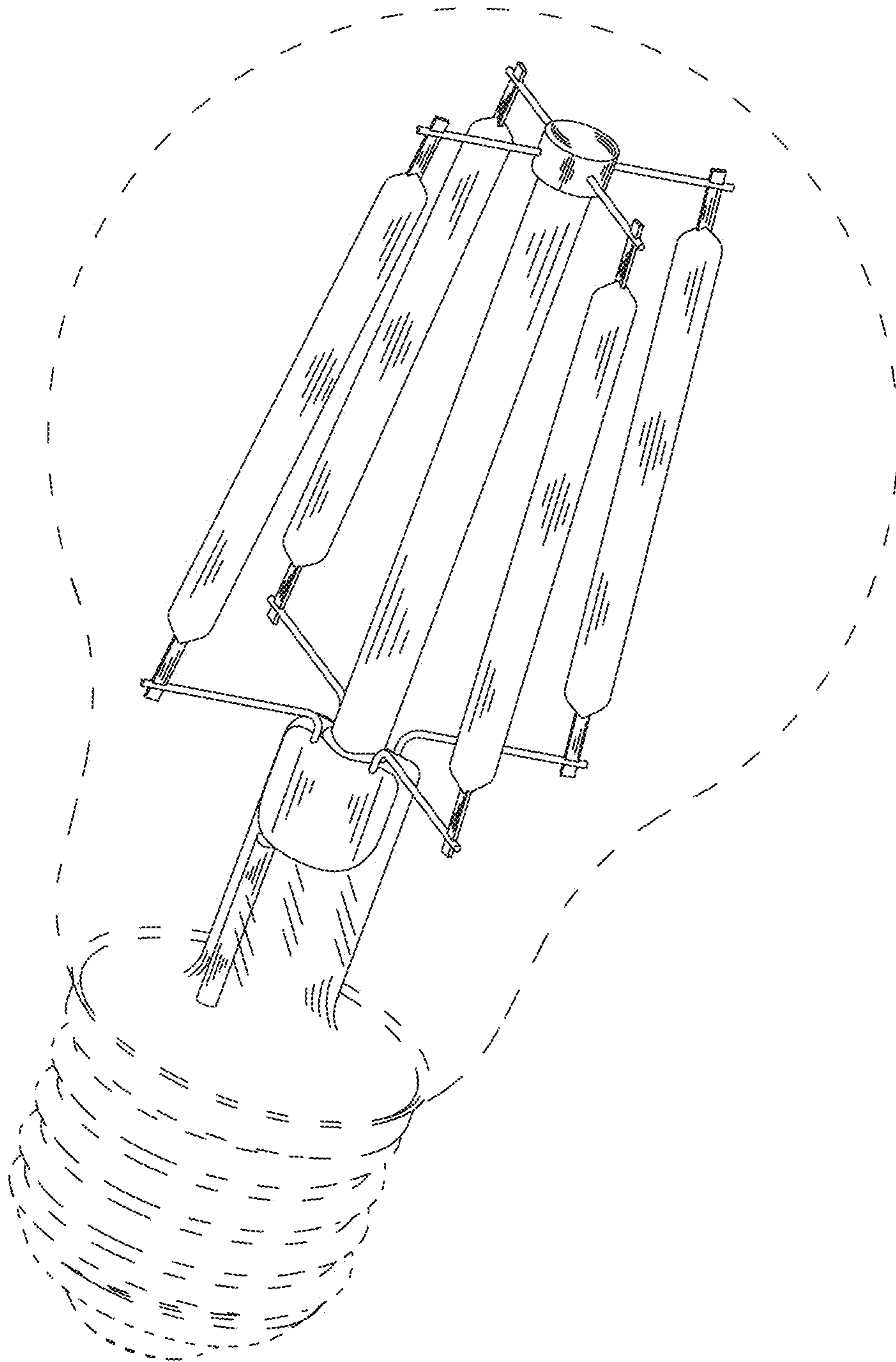


FIG. 7