



US00D905297S

(12) **United States Design Patent** (10) **Patent No.:** **US D905,297 S**  
**Chen** (45) **Date of Patent:** **\*\* Dec. 15, 2020**

(54) **MOSQUITO KILLER LAMP**  
(71) Applicant: **Qinyu Chen**, Fuzhou (CN)  
(72) Inventor: **Qinyu Chen**, Fuzhou (CN)  
(\*\*) Term: **15 Years**  
(21) Appl. No.: **29/711,188**  
(22) Filed: **Oct. 29, 2019**  
(51) **LOC (12) Cl.** ..... **26-04**  
(52) **U.S. Cl.**  
USPC ..... **D26/2**  
(58) **Field of Classification Search**  
USPC ..... D26/1-10  
CPC ..... H01R 5/00; H01R 13/46; H01R 13/514;  
H01R 31/048; H01R 31/02; H01J 5/00;  
H01J 5/16; H01J 1/02; H01J 15/00; H01J  
5/48; H01J 5/50; H01J 19/54; F21V 5/00;  
F21K 9/00; F21K 13/00  
See application file for complete search history.

(56) **References Cited**  
U.S. PATENT DOCUMENTS  
D508,575 S \* 8/2005 Buschmann ..... D26/2  
D528,227 S \* 9/2006 Chou ..... D26/2  
D531,741 S \* 11/2006 Takahashi ..... D26/2  
D534,665 S \* 1/2007 Egawa ..... D26/2  
D538,953 S \* 3/2007 Mama ..... D26/2  
D615,220 S \* 5/2010 Crane ..... D26/2  
D634,451 S \* 3/2011 de Visser ..... D26/2

\* cited by examiner

*Primary Examiner* — Marcus A Jackson  
(74) *Attorney, Agent, or Firm* — Erson IP (Nelson IP)

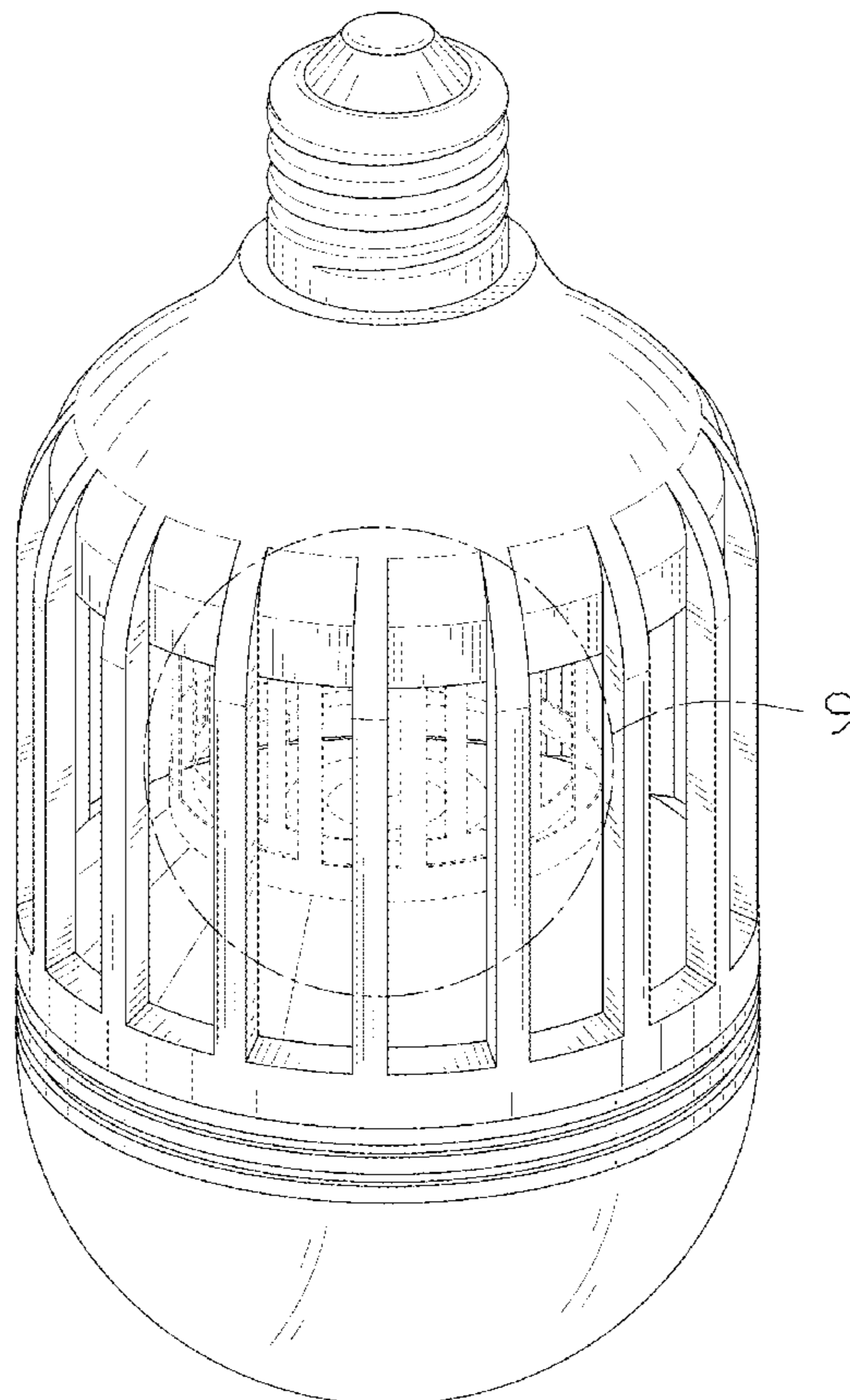
(57) **CLAIM**

The ornamental design for a mosquito killer lamp, as shown and described.

**DESCRIPTION**

FIG. 1 is a perspective view of an ornamental design for a mosquito killer lamp showing our new design;  
FIG. 2 is a perspective view viewed from another angle thereof;  
FIG. 3 is a front elevation view thereof;  
FIG. 4 is a rear elevation view thereof;  
FIG. 5 is a left side elevation view thereof;  
FIG. 6 is a right side elevation view thereof;  
FIG. 7 is a top plan view thereof;  
FIG. 8 is a bottom plan view thereof;  
FIG. 9 is an enlarged view of the area “9” shown in FIG. 1; and,  
FIG. 10 is an enlarged view of the area “10” shown in FIG. 2.  
The broken lines in the figures are for environmental purpose only and form no part of the claimed design.  
And shading and cross-hatching are not features of the design but are utilized to illustrate the surface contours of the mosquito killer lamp in the drawings.

**1 Claim, 10 Drawing Sheets**



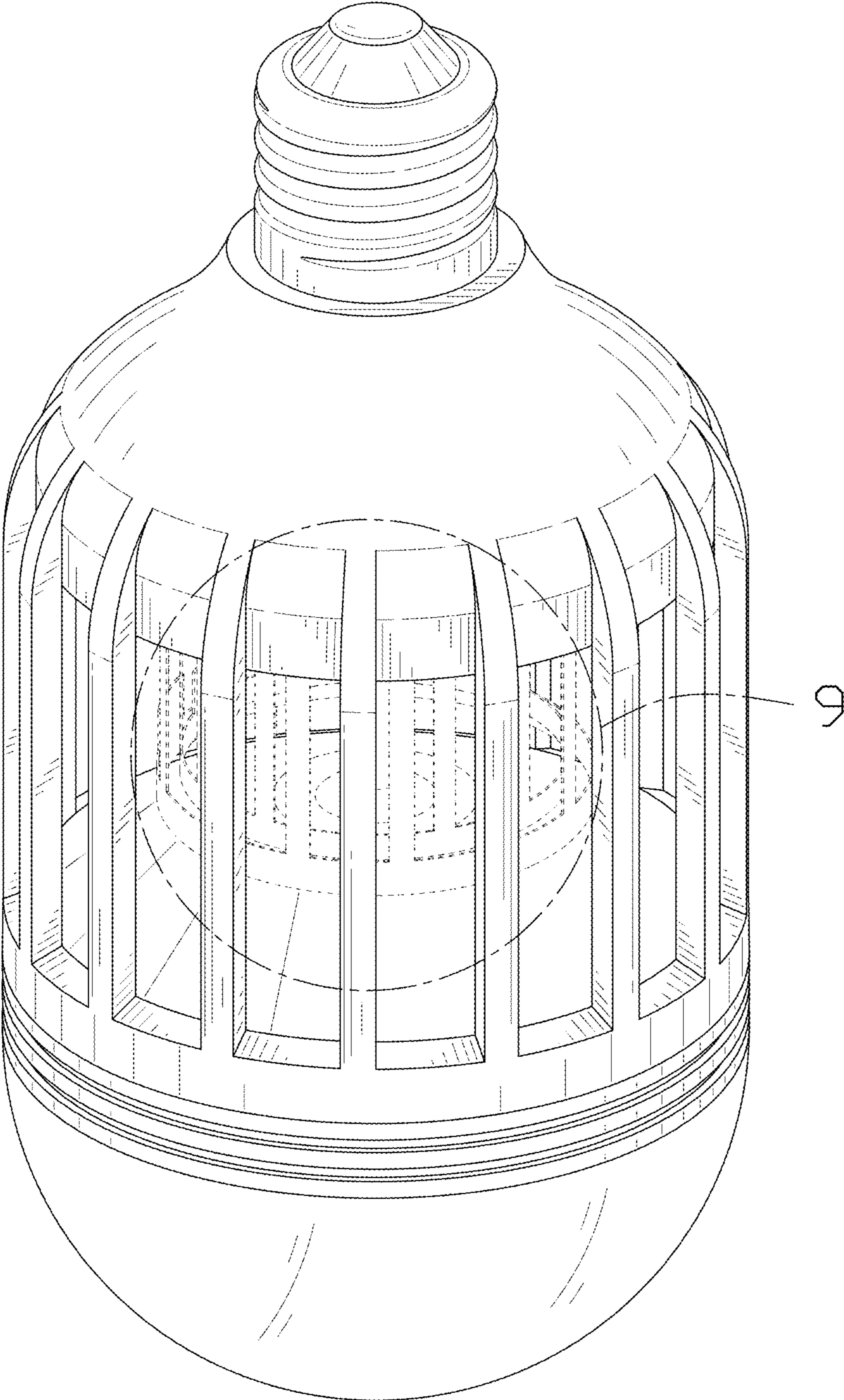


FIG. 1

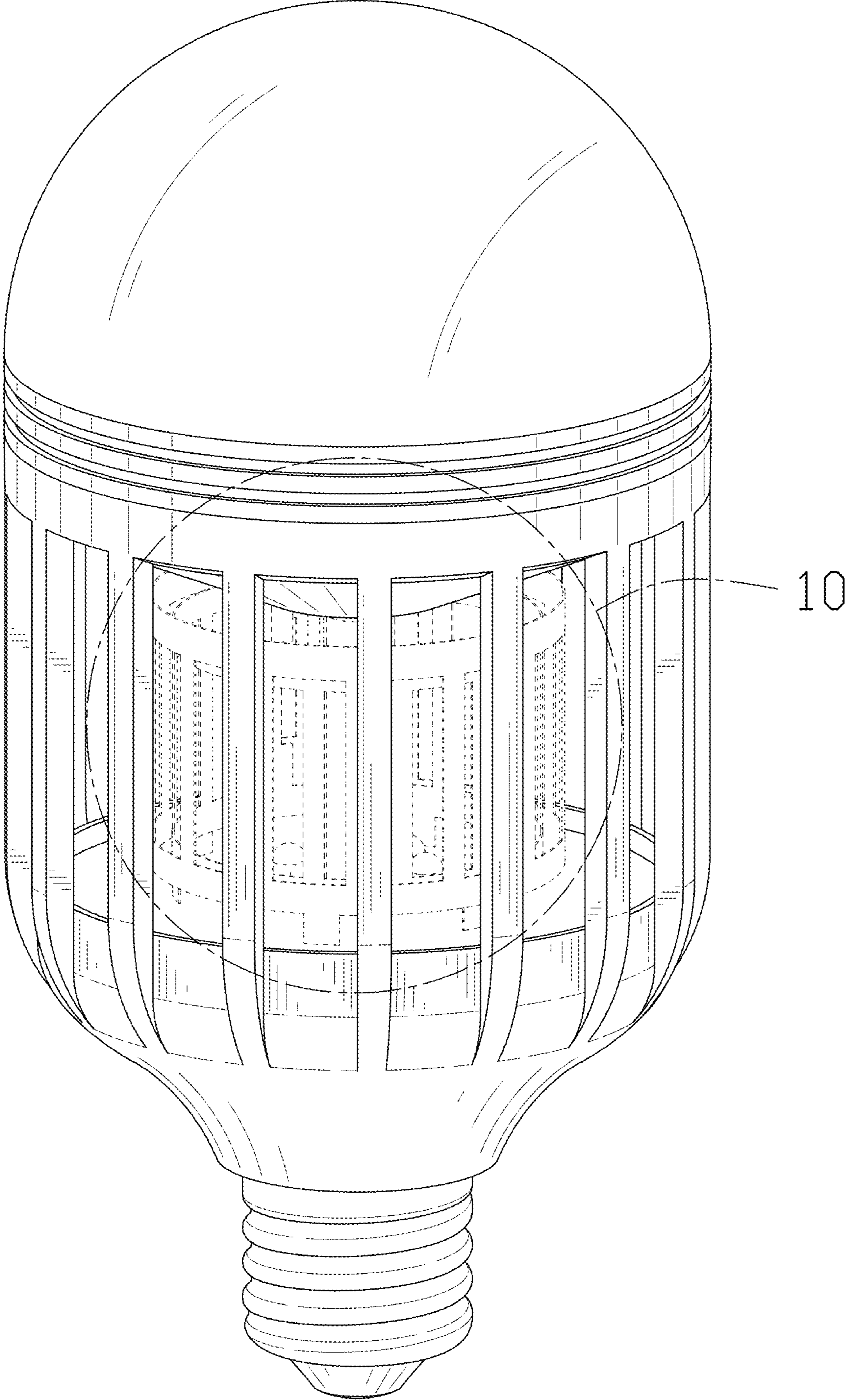


FIG. 2

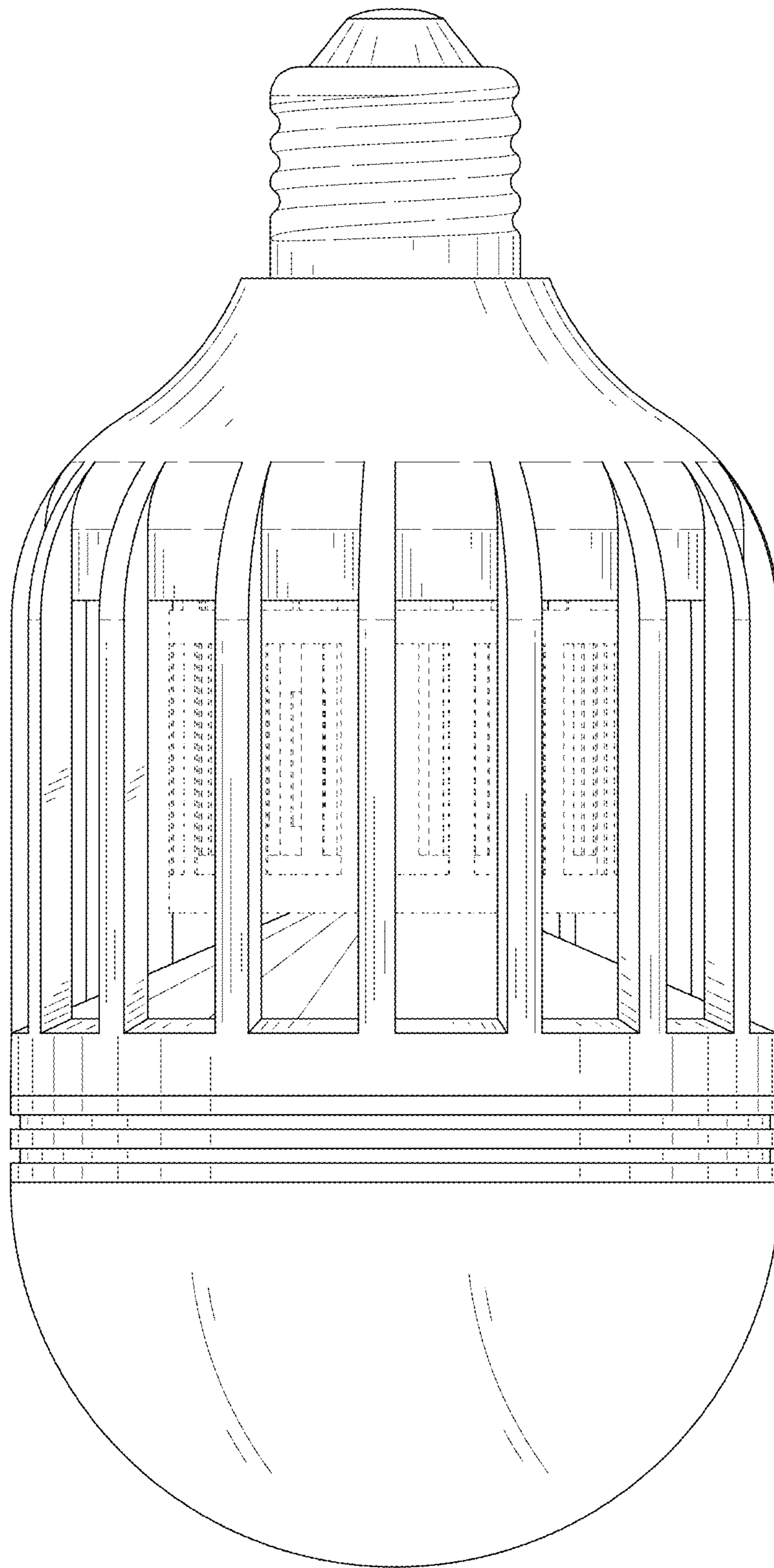


FIG. 3

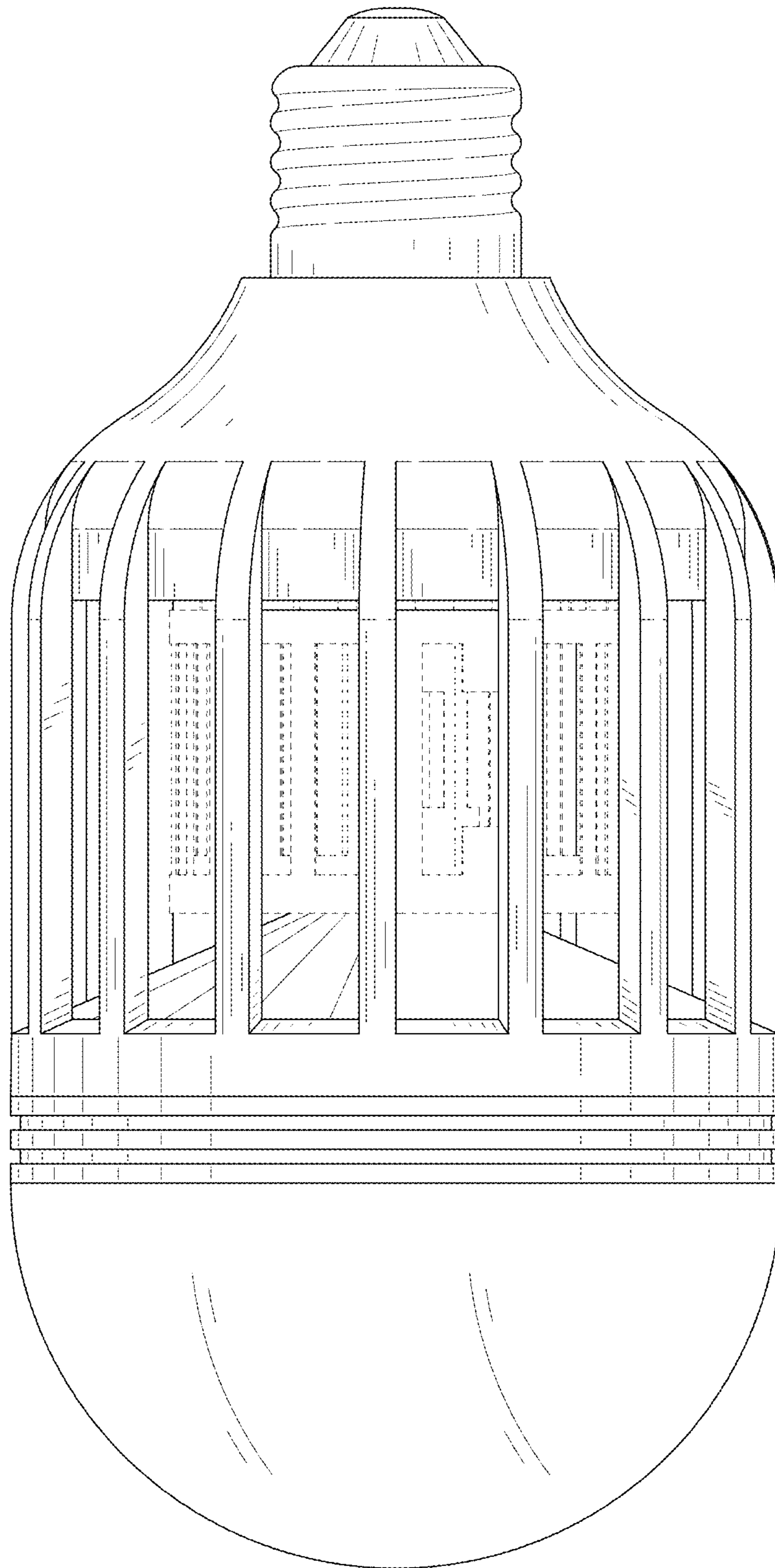


FIG. 4

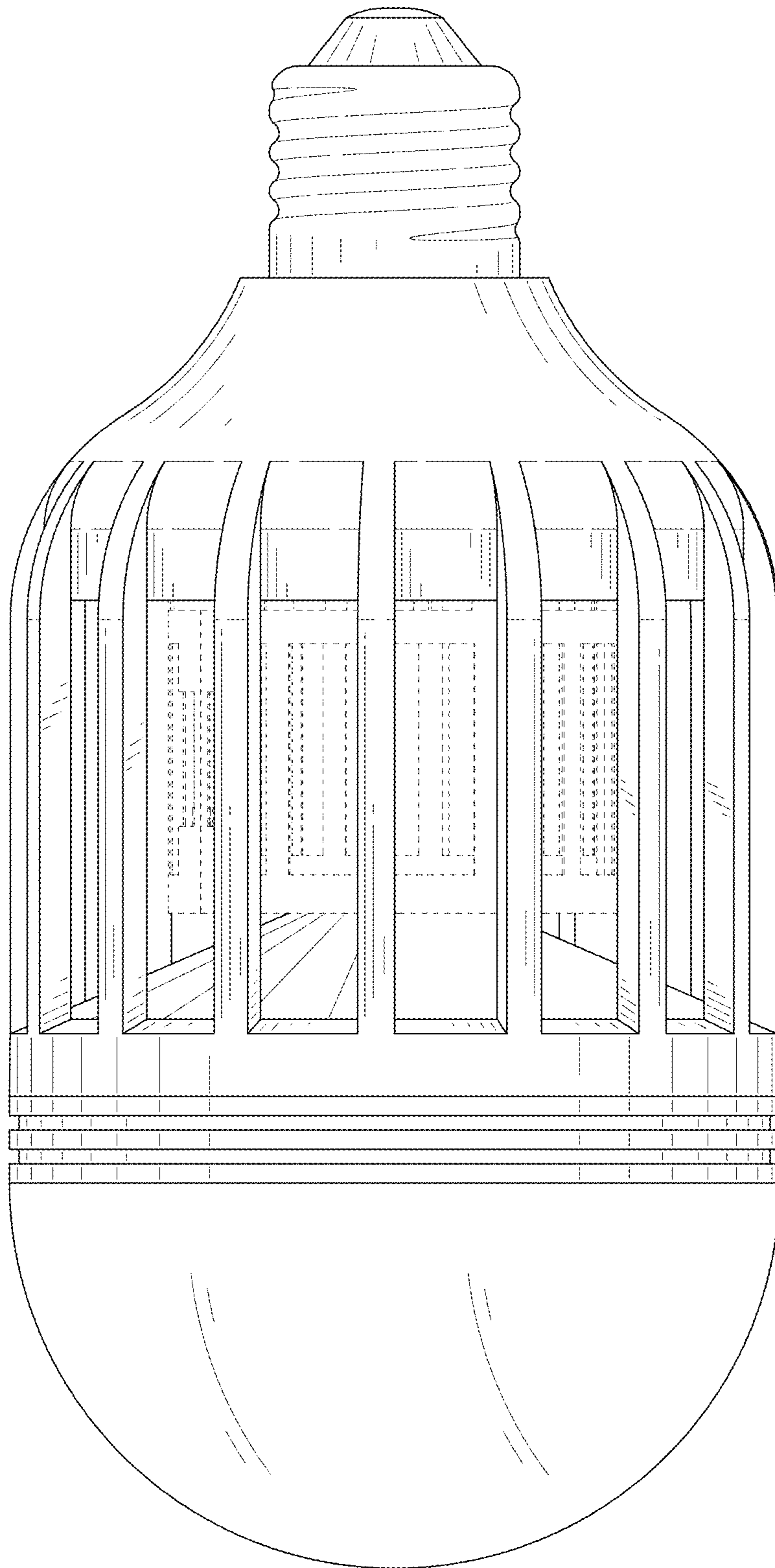


FIG. 5

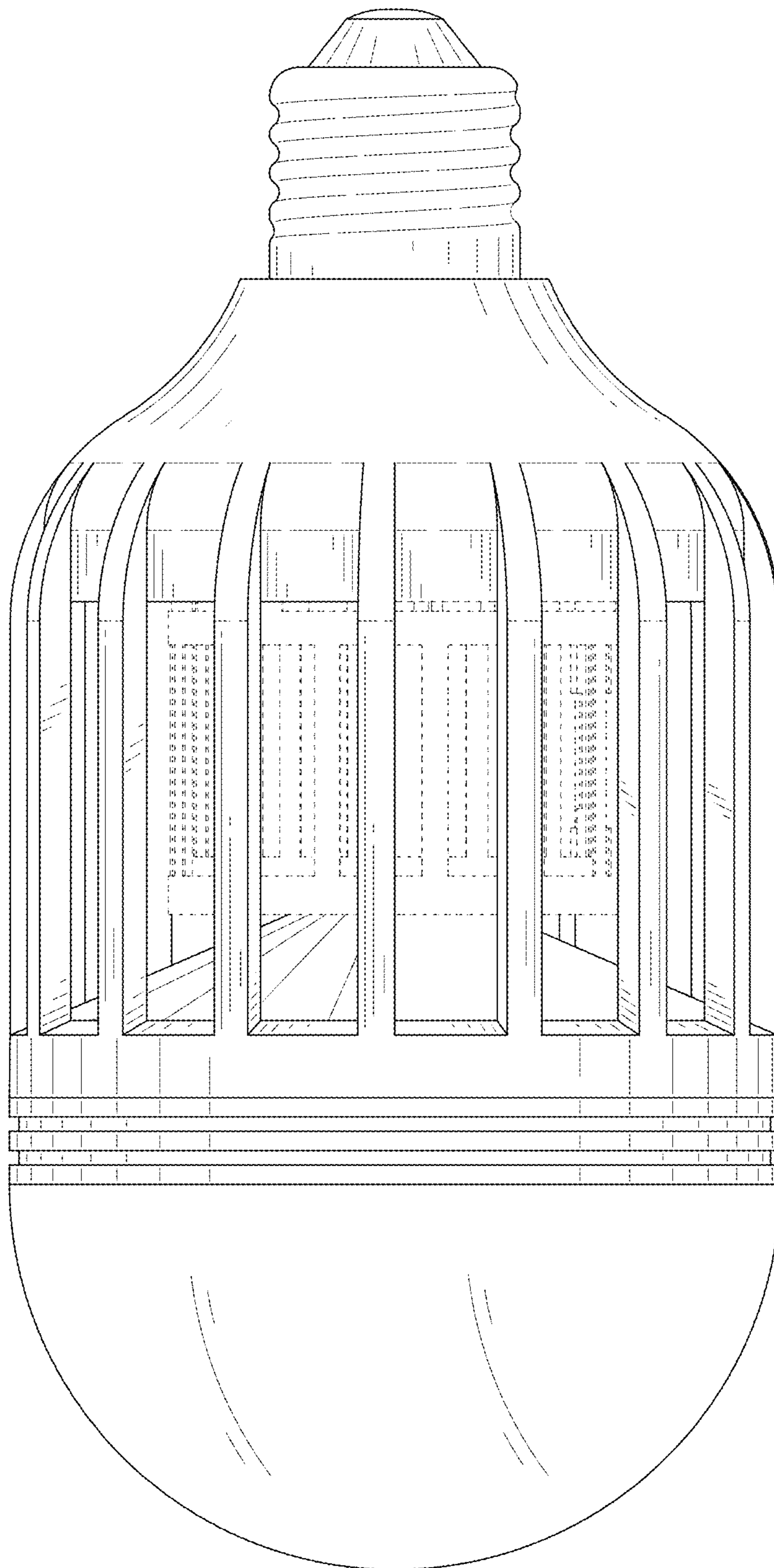


FIG. 6

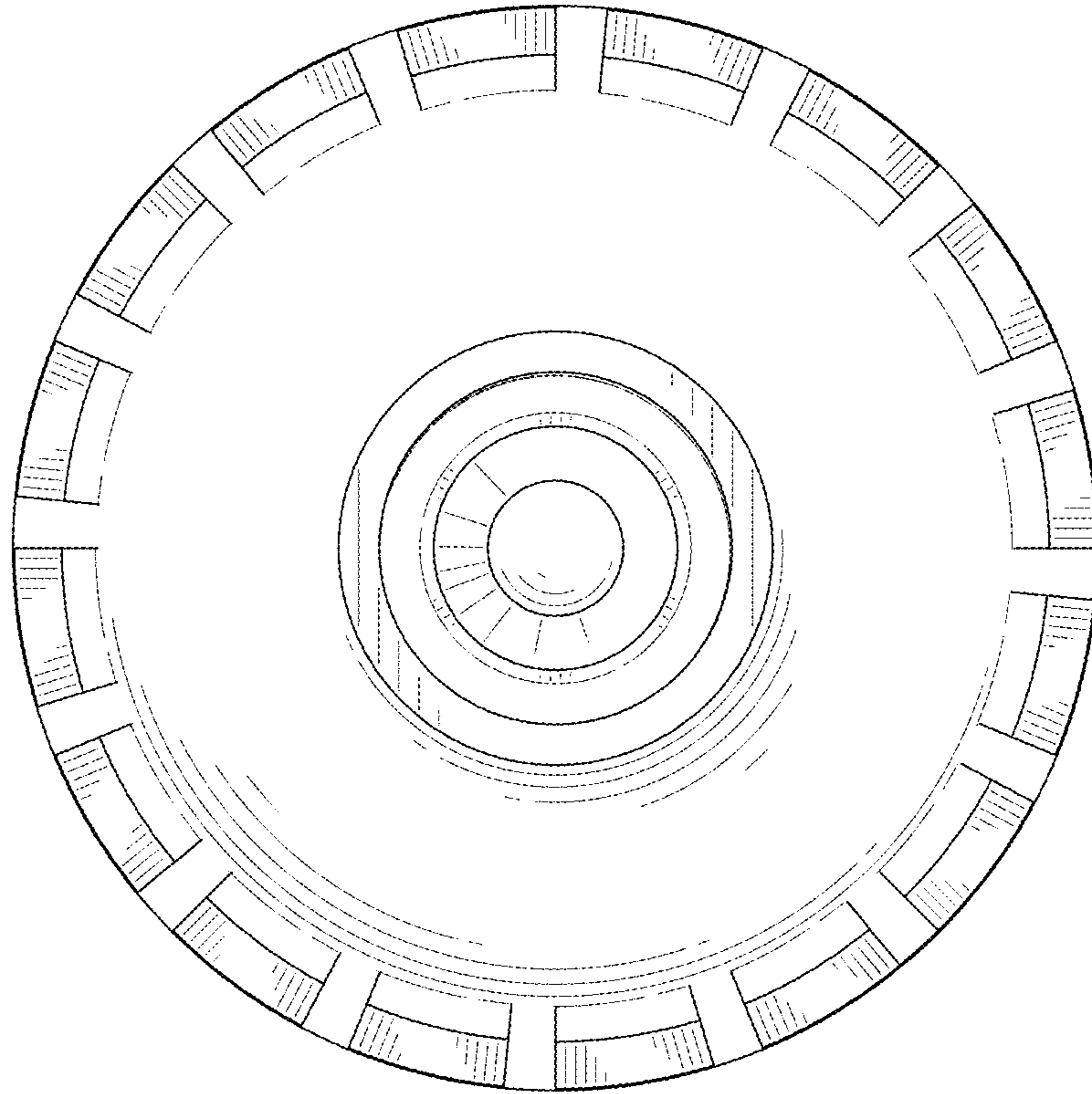


FIG. 7



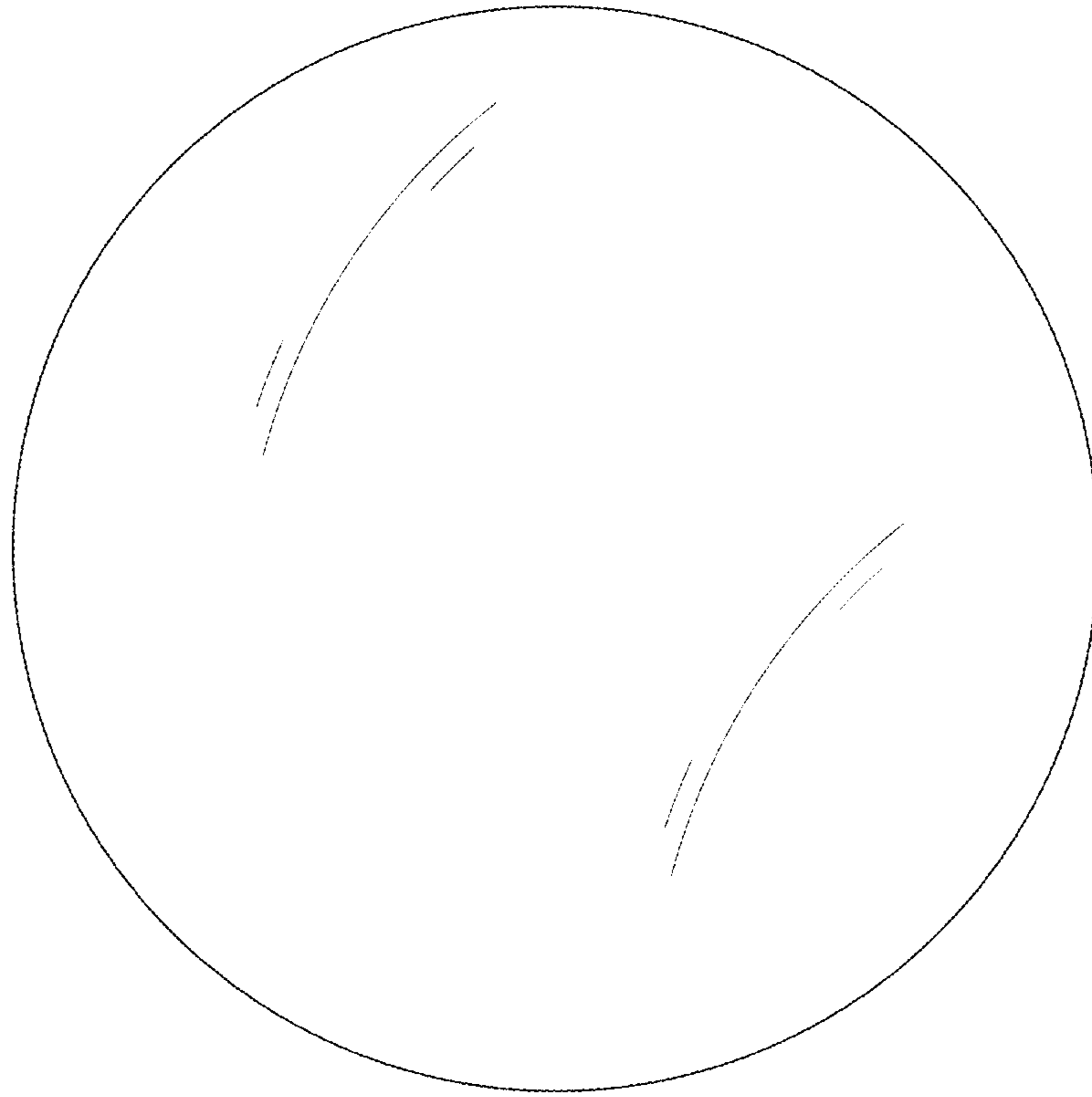


FIG. 8

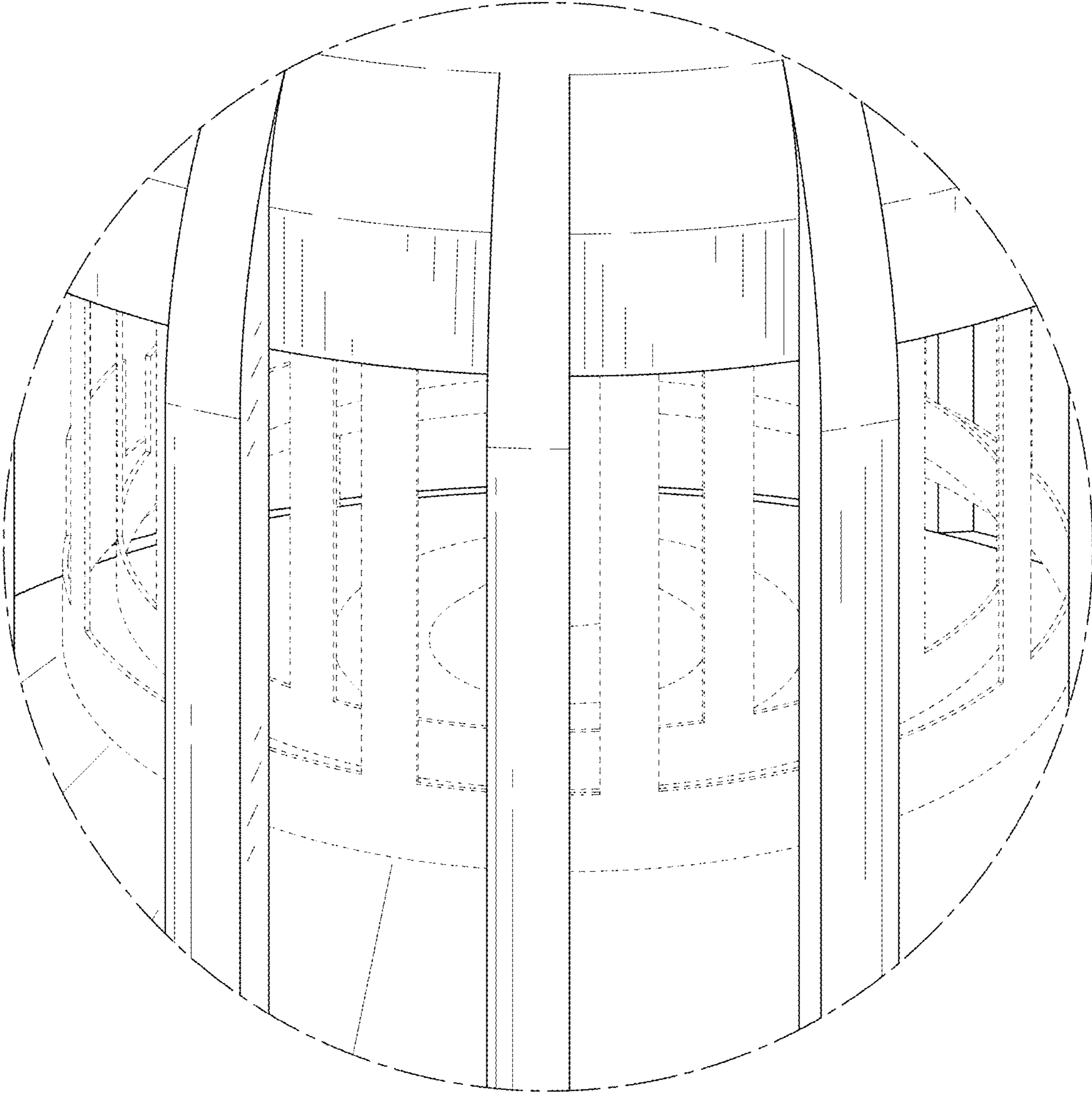


FIG. 9

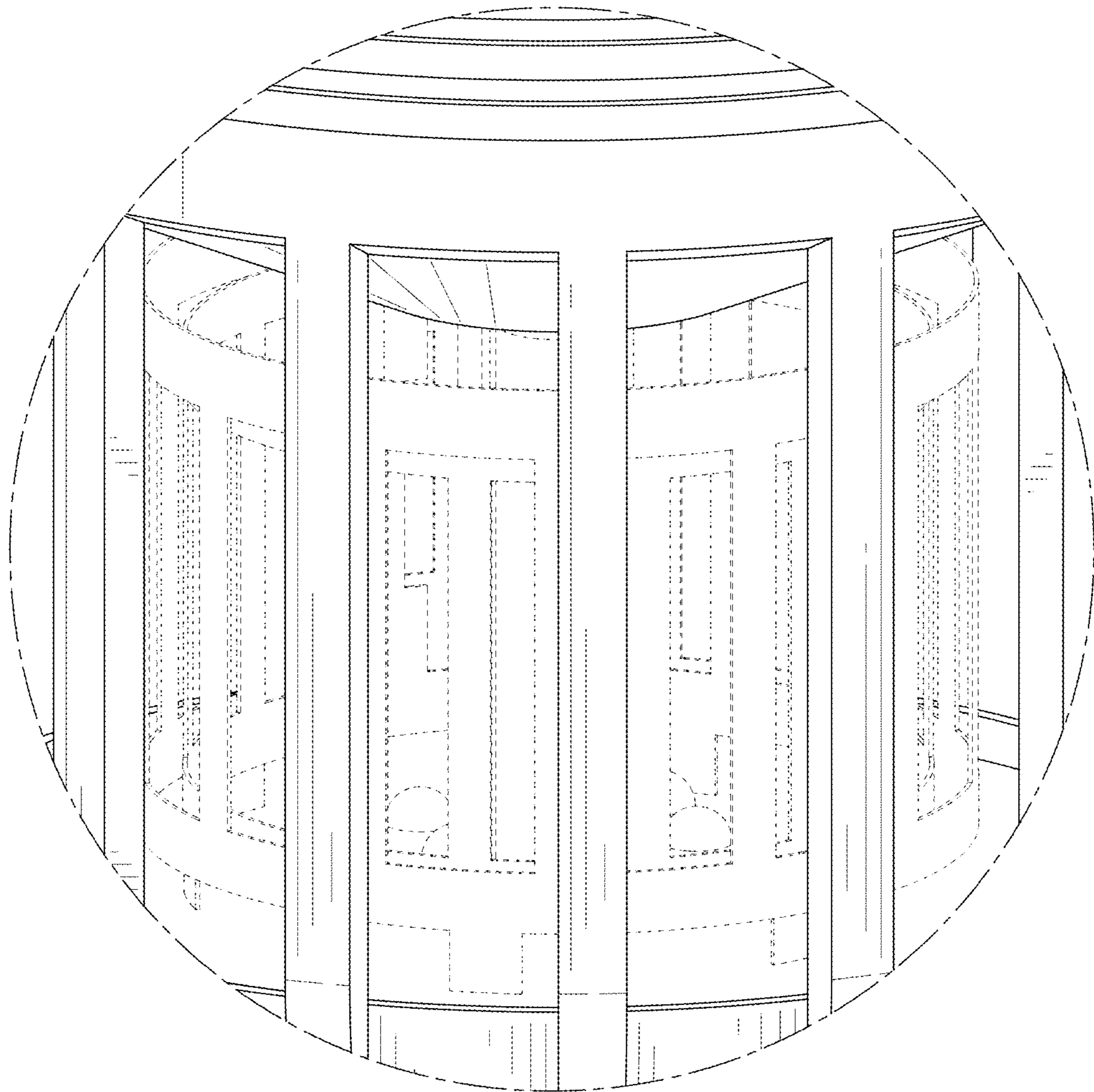


FIG. 10