



US00D905296S

(12) **United States Design Patent** (10) **Patent No.:** **US D905,296 S**
Lin (45) **Date of Patent:** **** Dec. 15, 2020**

(54) **LED LIGHT**

(71) Applicant: **XIAMEN ECO LIGHTING CO., LTD.**, Xiamen (CN)

(72) Inventor: **Yunnan Lin**, Xiamen (CN)

(73) Assignee: **XIAMEN ECO LIGHTING CO., LTD.**, Xiamen (CN)

(**) Term: **15 Years**

(21) Appl. No.: **29/669,680**

(22) Filed: **Nov. 9, 2018**

(51) **LOC (12) Cl.** **26-04**

(52) **U.S. Cl.**
USPC **D26/2**

(58) **Field of Classification Search**
USPC D26/1-10
CPC H01R 5/00; H01R 13/46; H01R 13/514;
H01R 31/048; H01R 31/02; H01J 5/00;
H01J 5/16; H01J 1/02; H01J 15/00; H01J
5/48; H01J 5/50; H01J 19/54; F21V 5/00;
F21K 9/00; F21K 13/00

See application file for complete search history.

(56) **References Cited**

U.S. PATENT DOCUMENTS

D566,300 S * 4/2008 Lo D26/2
D581,555 S * 11/2008 To D26/2

D610,271 S * 2/2010 Bi D26/2
D616,120 S * 5/2010 Wada D26/2
D631,571 S * 1/2011 Bobel D26/2

* cited by examiner

Primary Examiner — Marcus A Jackson

(74) *Attorney, Agent, or Firm* — Proi Intellectual Property
US; Klaus Michael Schmid

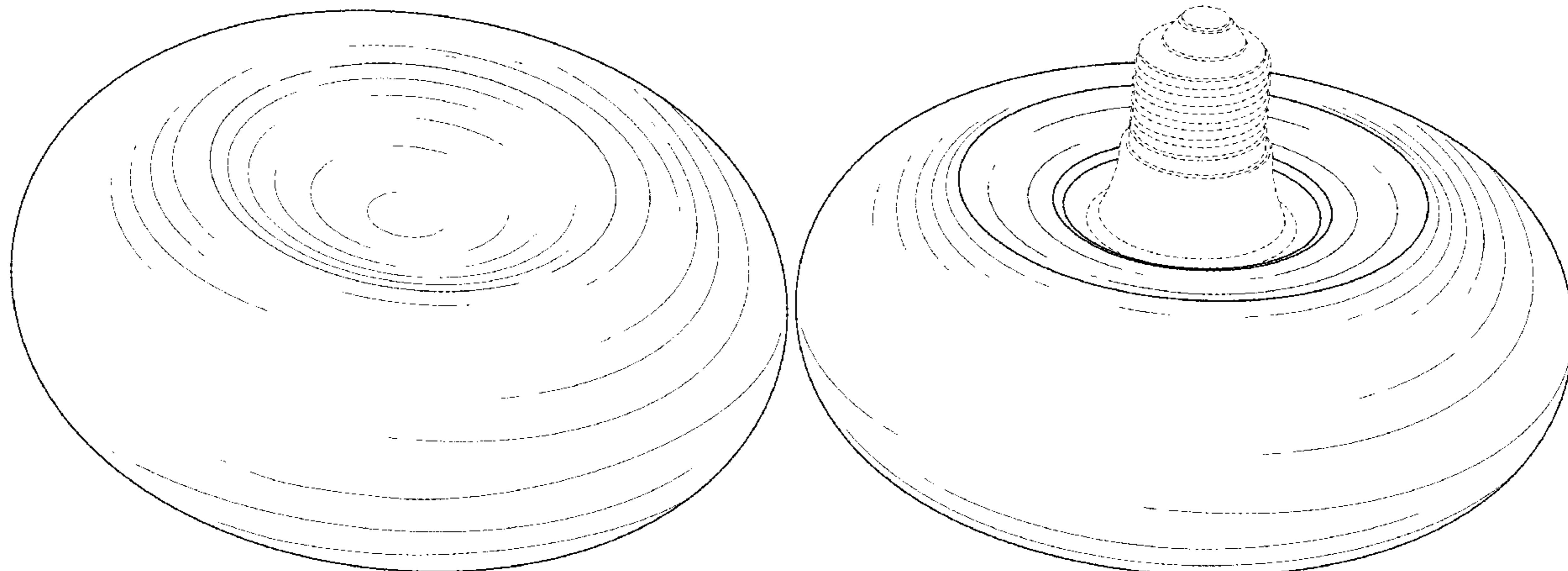
(57) **CLAIM**

The ornamental design for a LED light, as shown and described.

DESCRIPTION

FIG. 1 is a perspective top View of a LED light;
FIG. 2 is a top View thereof;
FIG. 3 is a bottom View thereof;
FIG. 4 is a front View thereof;
FIG. 5 is a rear View thereof;
FIG. 6 is a left side View thereof;
FIG. 7 is a right side View thereof;
FIG. 8 is a perspective bottom View thereof; and,
FIG. 9 is a cross-sectional View thereof.
The broken line showing of the connector portion is included for the purpose of illustrating only and forms no part of the claimed design.

1 Claim, 9 Drawing Sheets



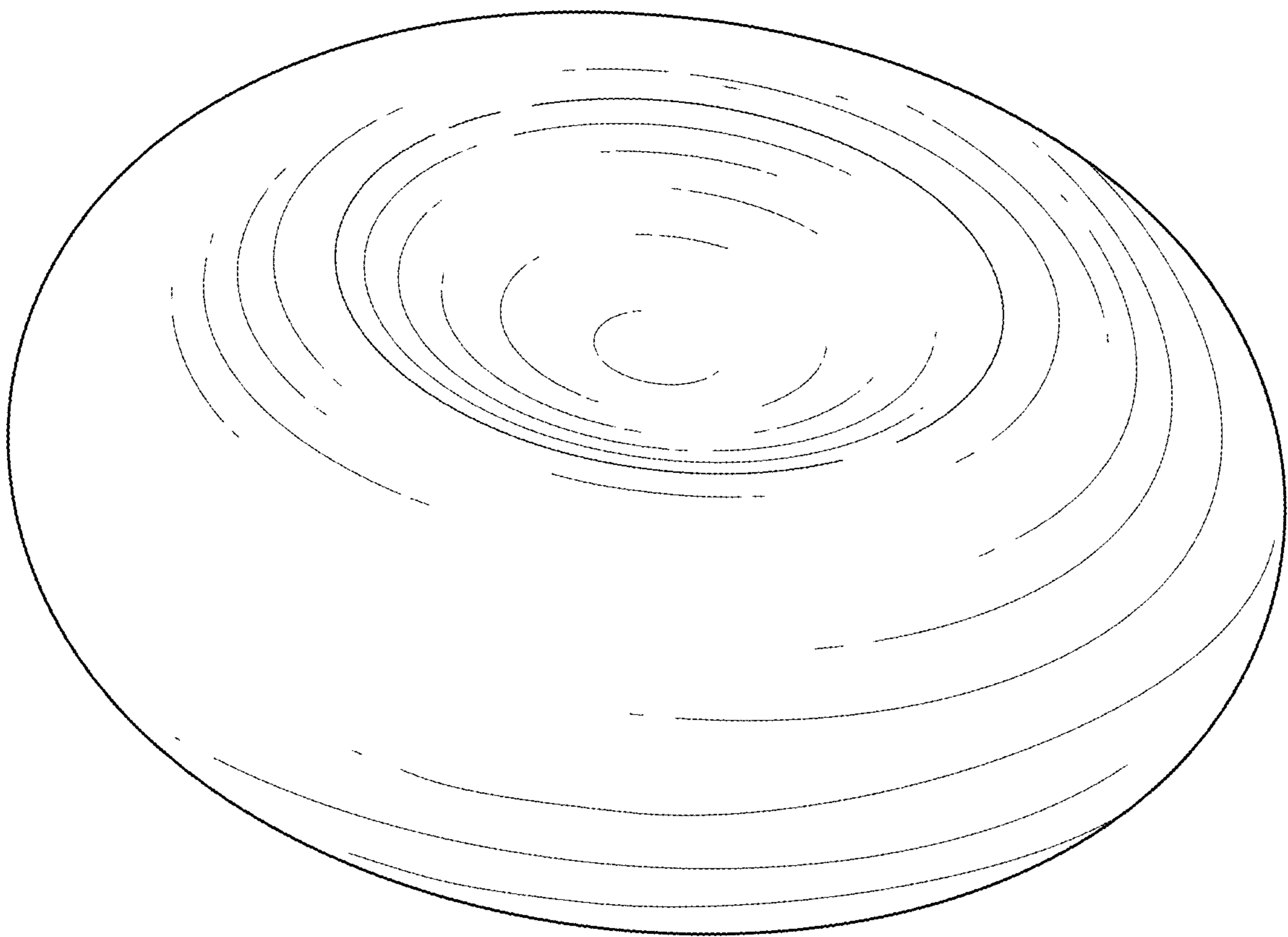


FIG. 1

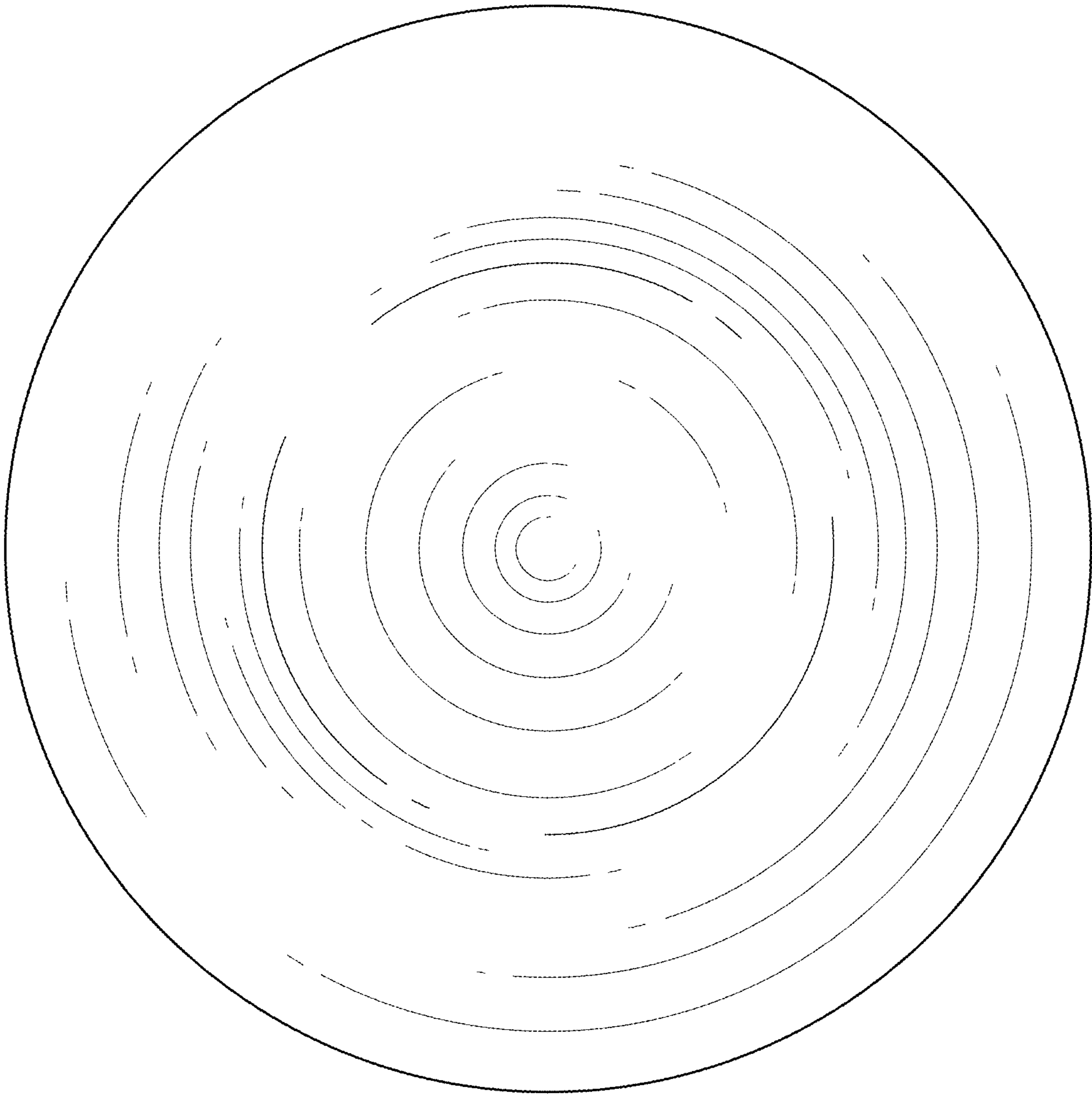


FIG. 2

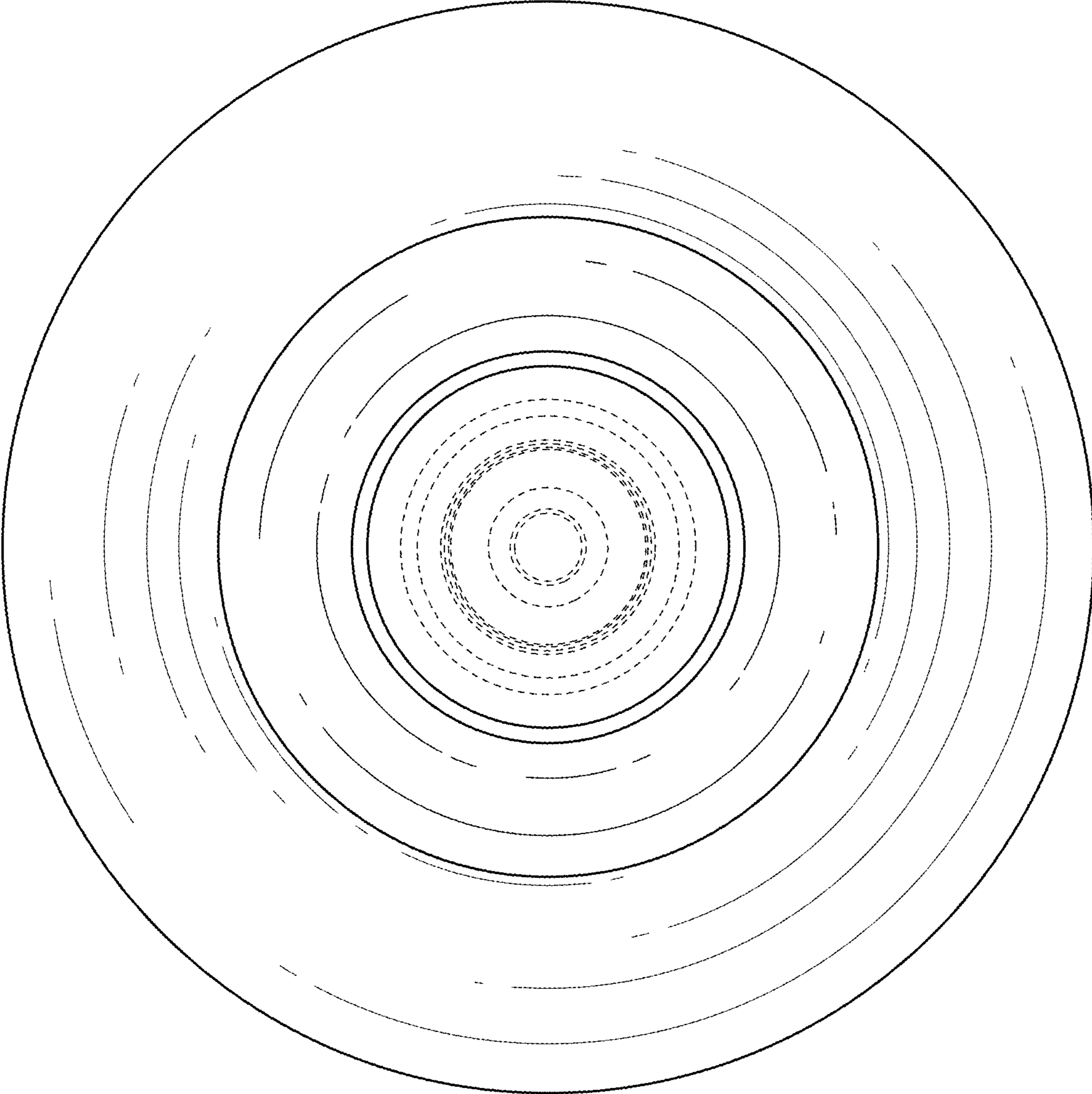


FIG. 3

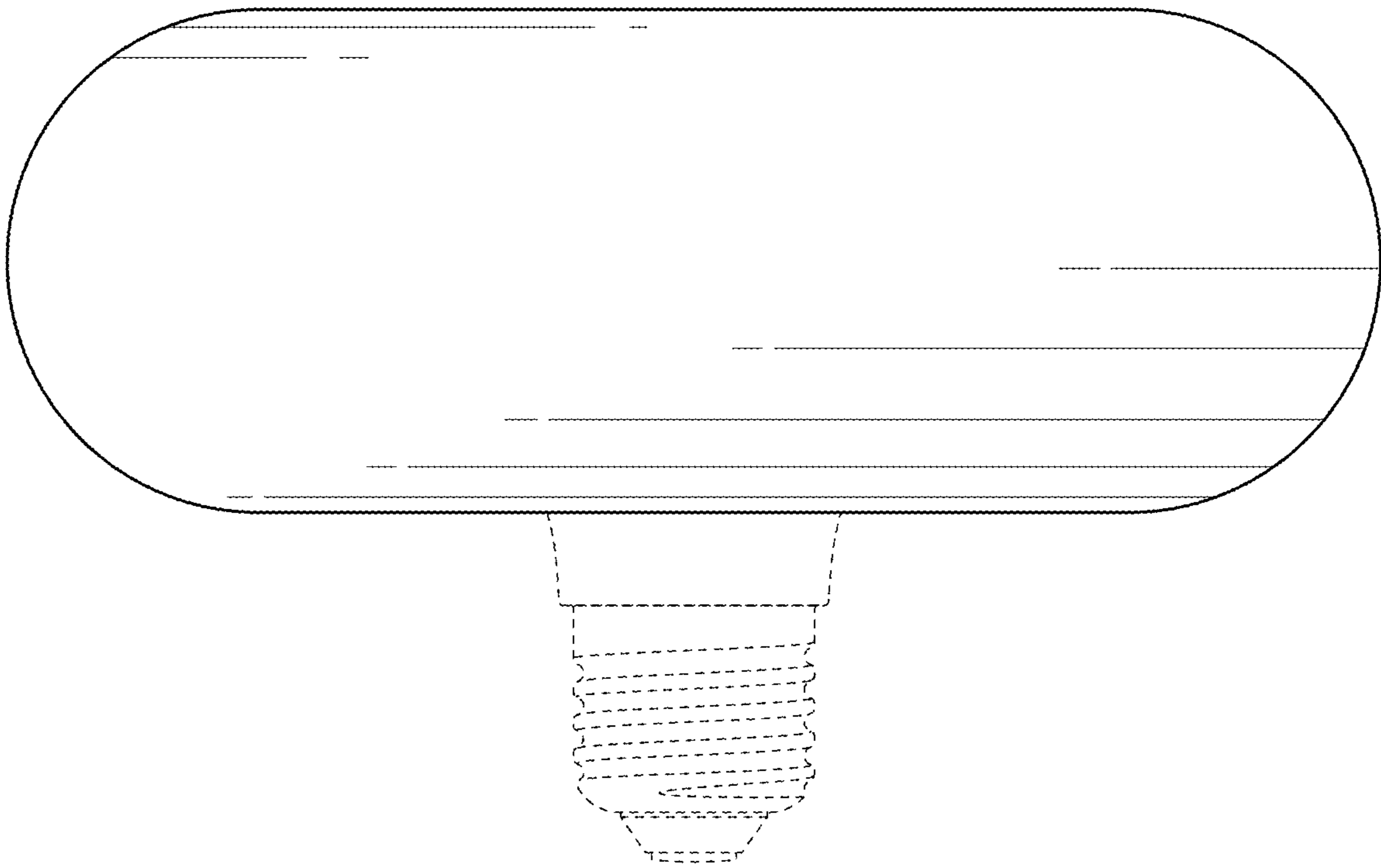


FIG. 4

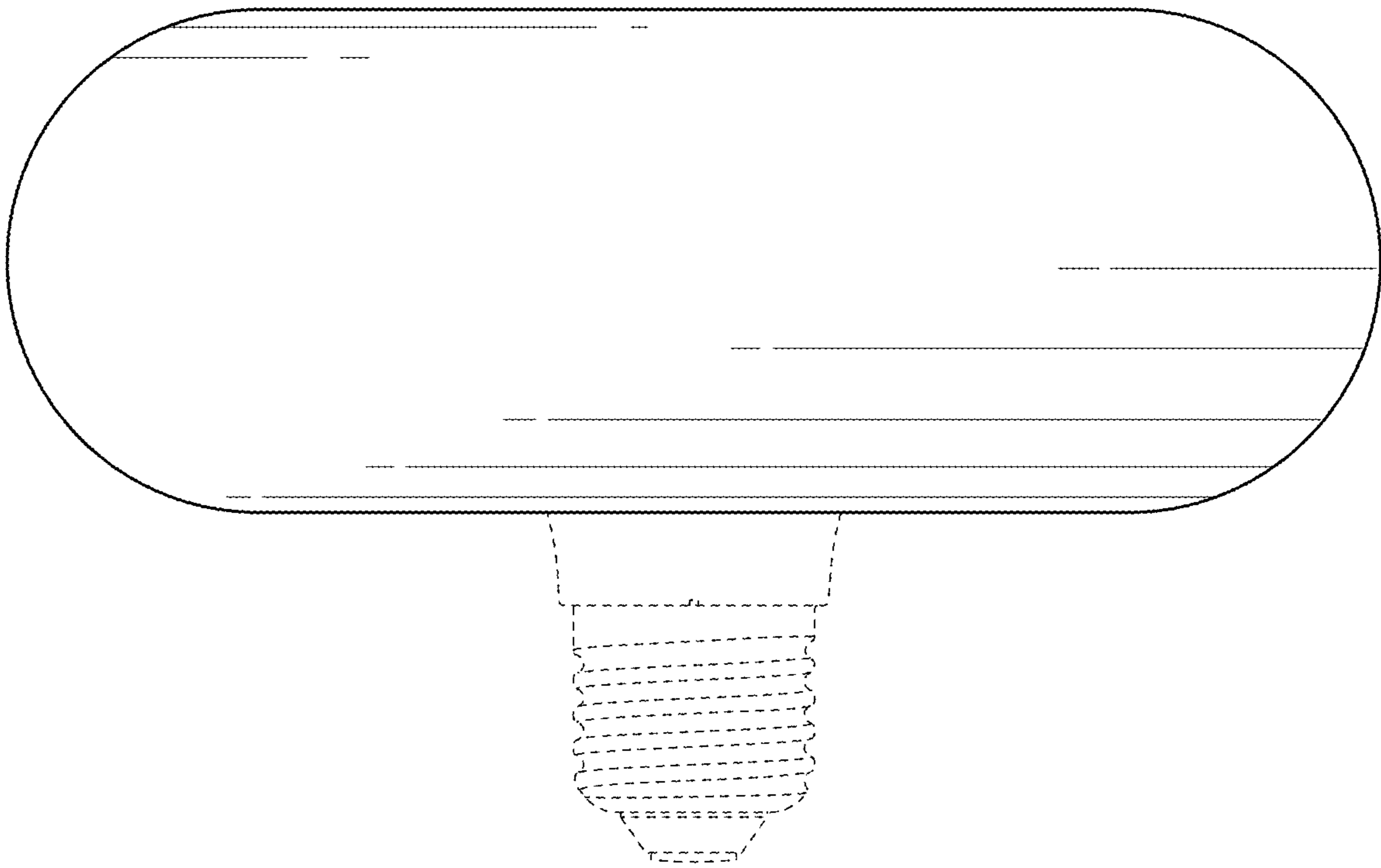


FIG. 5

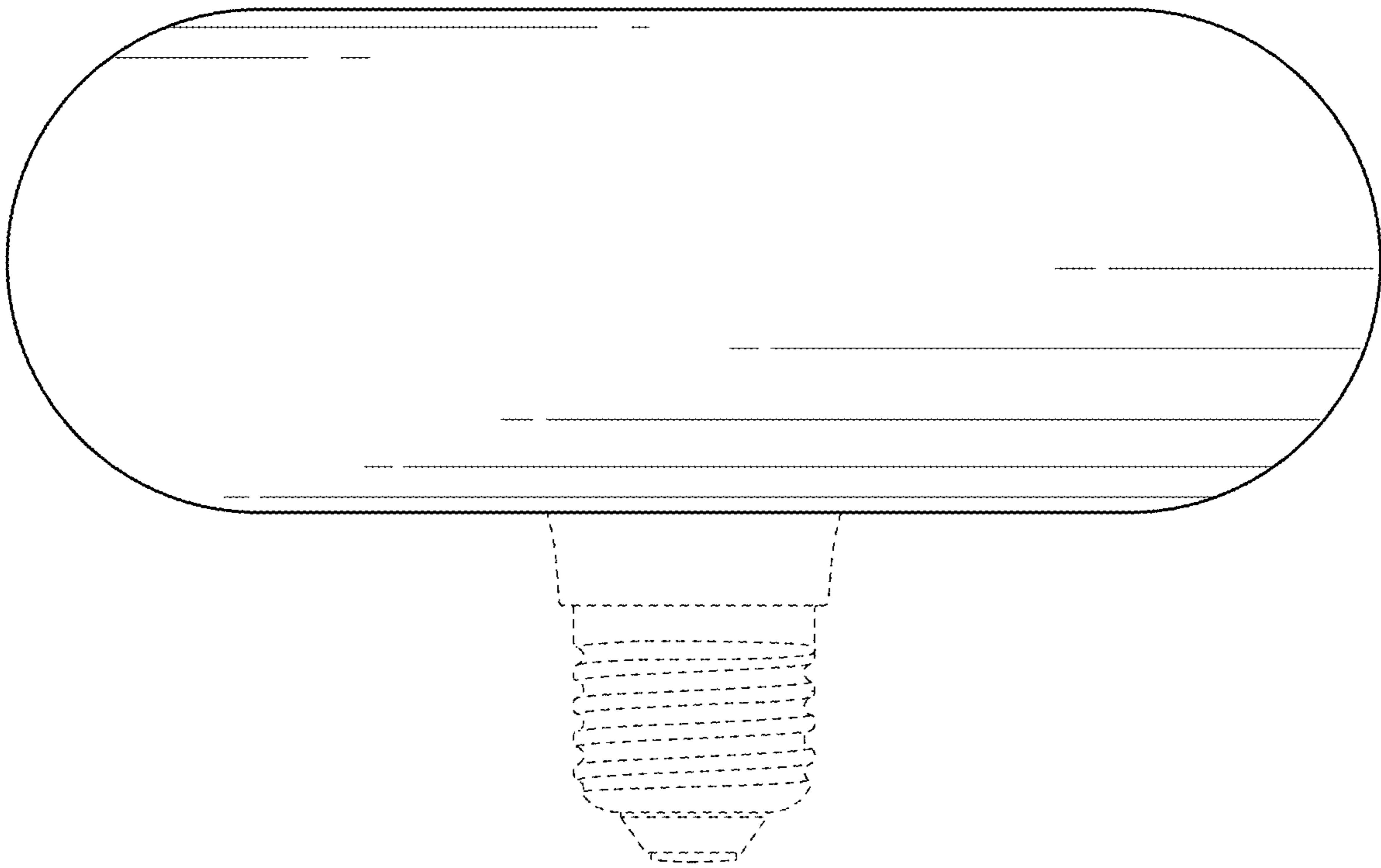


FIG. 6

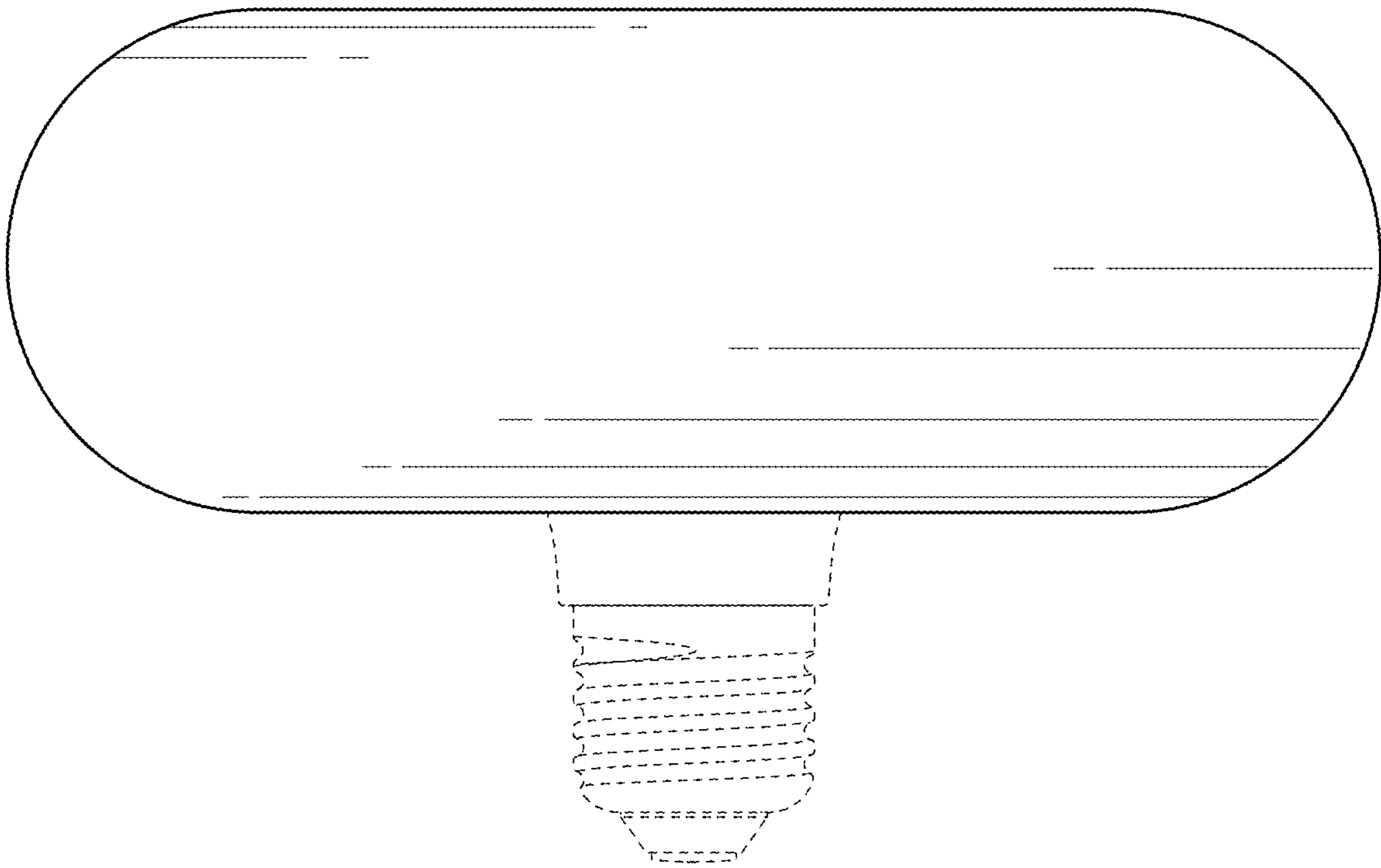


FIG. 7

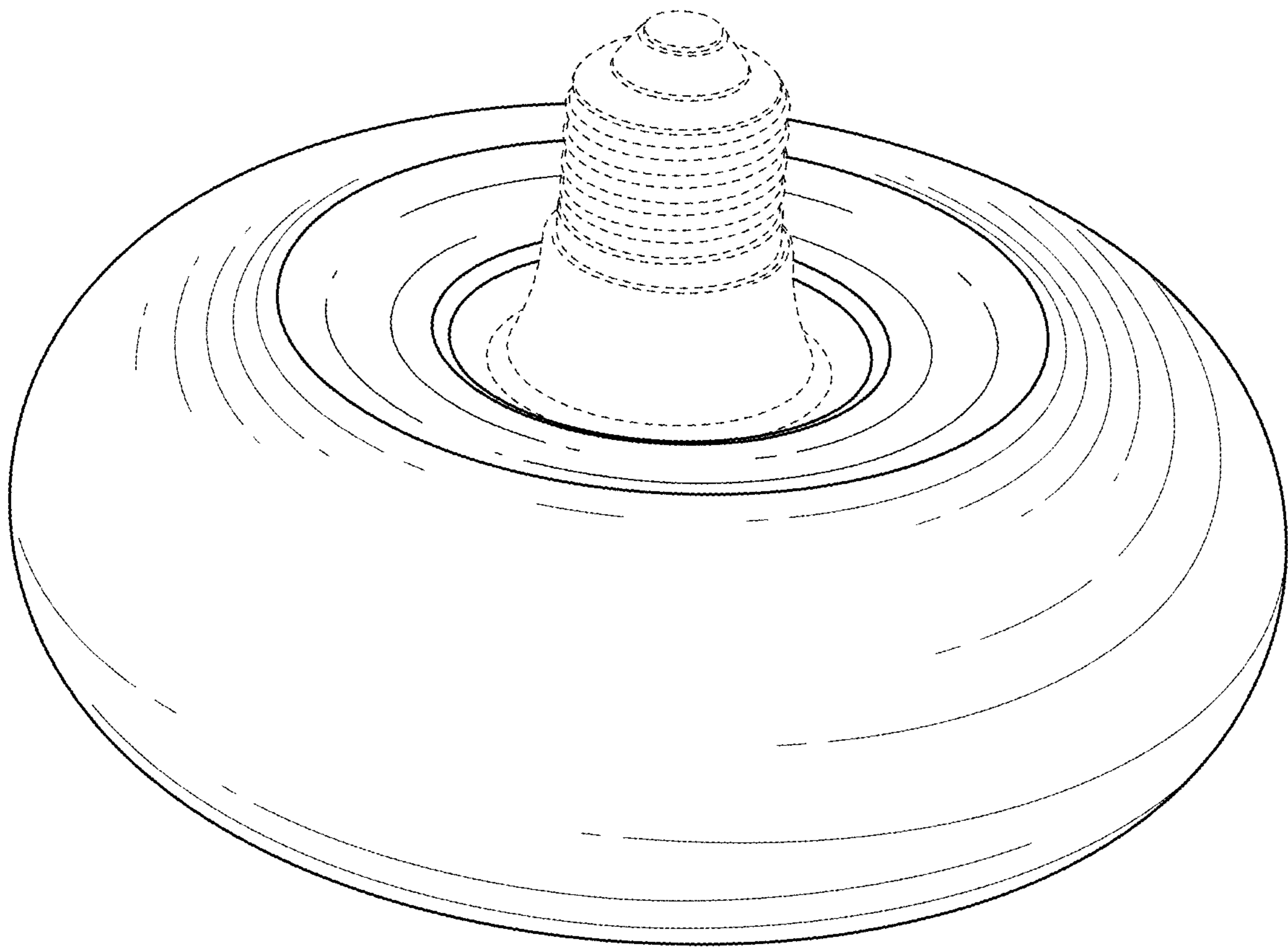


FIG. 8

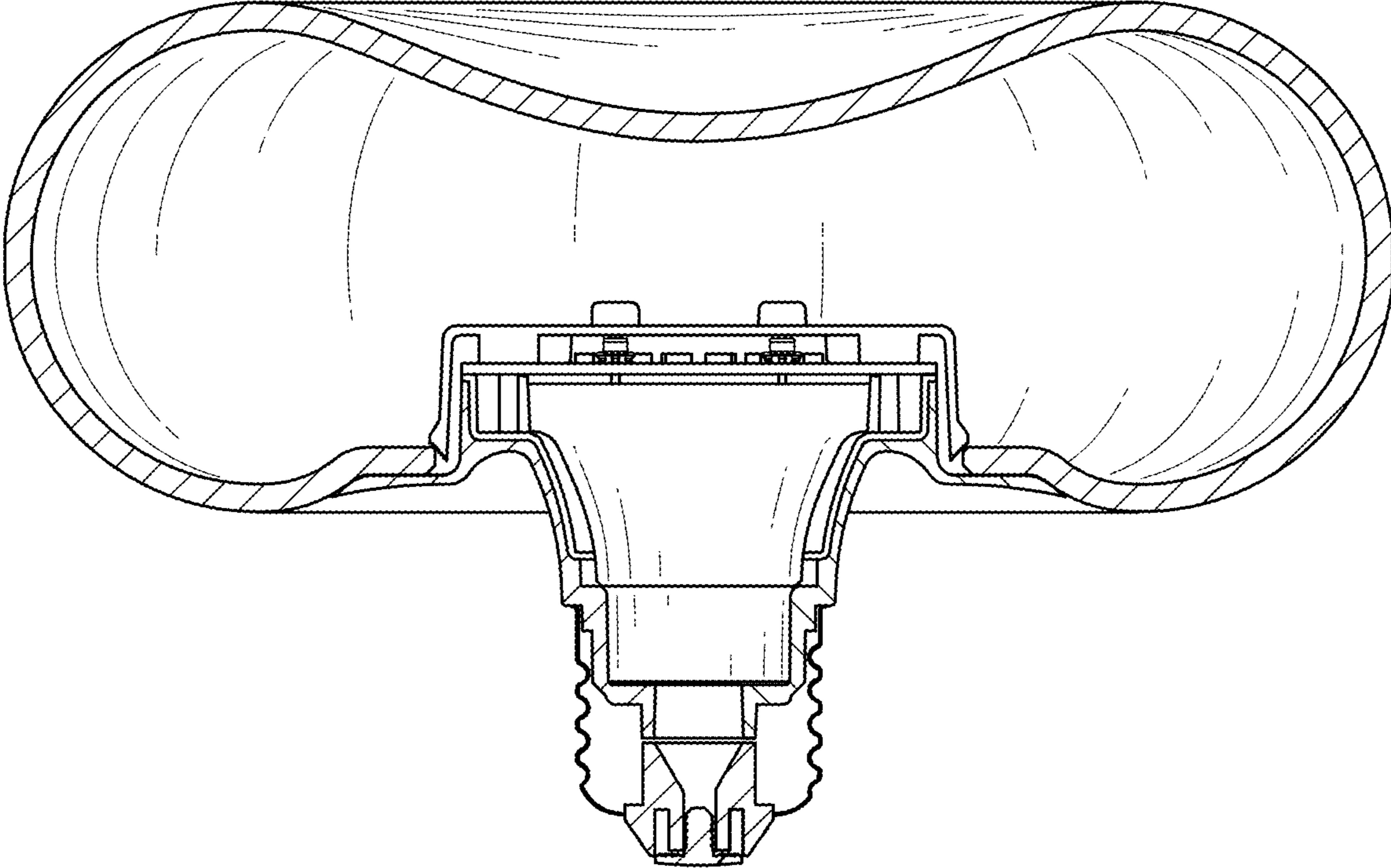


FIG. 9