



US00D905295S

(12) **United States Design Patent** (10) **Patent No.:** **US D905,295 S**
Baltz, Jr. et al. (45) **Date of Patent:** **** Dec. 15, 2020**

(54) **VENTILATION SCREED DEVICE**

FOREIGN PATENT DOCUMENTS

(71) Applicant: **Alabama Metal Industries Corporation**, Birmingham, AL (US)

CA 184875 * 11/2019
GB 6064548 * 7/2019

(72) Inventors: **Gary George Baltz, Jr.**, Mountain Brook, AL (US); **Frederic C. Mayer, Jr.**, Hoover, AL (US)

OTHER PUBLICATIONS

Hydrodry® System • Amico Products <https://amicoglobal.com/hydrodry-system/> Jun. 2019 (Year: 2019).*

(73) Assignee: **ALABAMA METAL INDUSTRIES CORPORATION**

(Continued)

(**) Term: **15 Years**

Primary Examiner — Leanne Was-Englehart

(21) Appl. No.: **29/703,391**

(74) *Attorney, Agent, or Firm* — Jennifer Meredith, Esq.; Lippes Mathias Wexler Friedman LLP

(22) Filed: **Aug. 27, 2019**

(57) **CLAIM**

Related U.S. Application Data

We claim the ornamental design for a ventilation screed device, as shown and described.

(63) Continuation of application No. 16/534,704, filed on Aug. 7, 2019, now Pat. No. 10,774,545.

(51) **LOC (12) Cl.** **25-01**

DESCRIPTION

(52) **U.S. Cl.**
USPC **D25/199**

(58) **Field of Classification Search**
USPC D25/48.2, 55, 119, 138, 164, 199
CPC ... E04F 19/02; E04F 19/04; E04F 2019/0445;
E04F 13/06; E04F 13/007; E04B 1/7038;
E04B 1/7069; E04B 1/7076; E04B 1/70;
E04D 13/152

FIG. 1 is a top elevation view of the front of the ventilation screed device;
FIG. 2 is a top elevation view of the back of the ventilation screed device;
FIG. 3 is a front view of the ventilation screed device;
FIG. 4 is a back view of the ventilation screed device;
FIG. 5 is a side view of the ventilation screed device;
FIG. 6 is a side view of the ventilation screed device;
FIG. 7 is a top view of the ventilation screed device;
FIG. 8 is a bottom view of the ventilation screed device;
FIG. 9 is a side view of the ventilation screed device with a dotted offset section depicting the cutaway of FIG. 10;
FIG. 10 is an elevation view of the offset section shown at FIG. 9;
FIG. 11 depicts a side view; and,
FIG. 12 is a detail view taken from FIG. 11.
The broken line circles in FIGS. 11 and 12 depict the limits of the enlarged view and form no part of the claimed design.

See application file for complete search history.

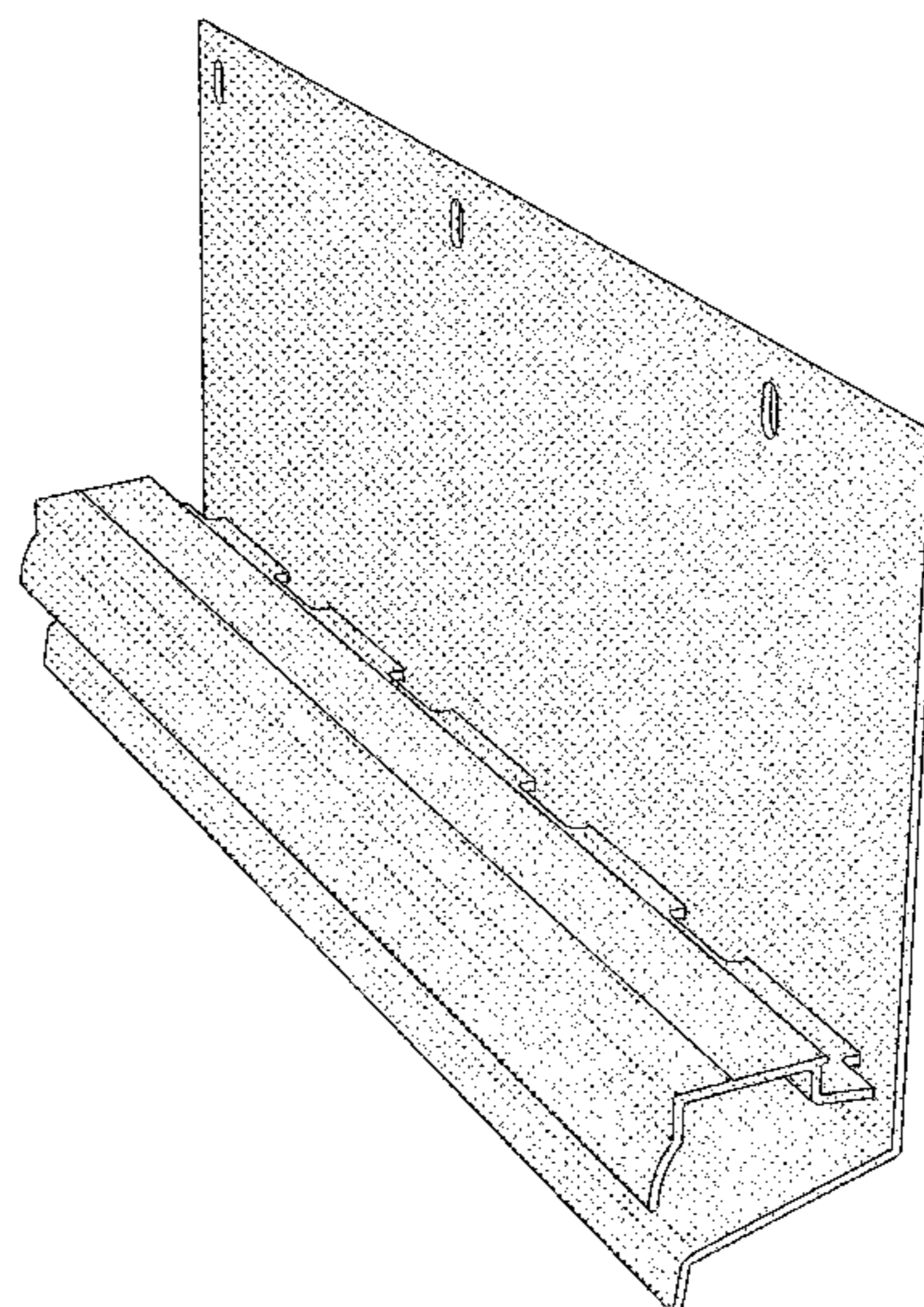
(56) **References Cited**

U.S. PATENT DOCUMENTS

D341,529 S * 11/1993 Jacobs D25/119
D400,986 S * 11/1998 Kanta D25/199
D569,011 S * 5/2008 Brochu D25/138
D684,280 S * 6/2013 Moore D25/199
D700,717 S * 3/2014 Campacci D25/119
D805,215 S * 12/2017 Fowler D25/48.2
D814,056 S * 3/2018 Singh D25/119

(Continued)

1 Claim, 12 Drawing Sheets



(56)

References Cited

U.S. PATENT DOCUMENTS

D829,928 S * 10/2018 Dye D25/48.2
D844,182 S * 3/2019 Folkersen D25/199
D861,196 S * 9/2019 Apanovich D25/164
D882,125 S * 4/2020 Divito D25/164
10,655,336 B2 * 5/2020 Friel E04B 1/765
D887,586 S * 6/2020 Baltz, Jr. D25/164
D889,247 S * 7/2020 Baltz, Jr. E04F 19/04
D8/349
2013/0205696 A1 * 8/2013 Little E04F 13/073
52/255
2019/0194954 A1 * 6/2019 Baltz, Jr. E04F 19/04
2020/0157798 A1 * 5/2020 Baltz, Jr. E04B 1/7038

OTHER PUBLICATIONS

Window Door Drip Edge • Amico Products <https://amicoglobal.com/window-door-drip-edge/> Jan. 2019 (Year: 2019).*

* cited by examiner

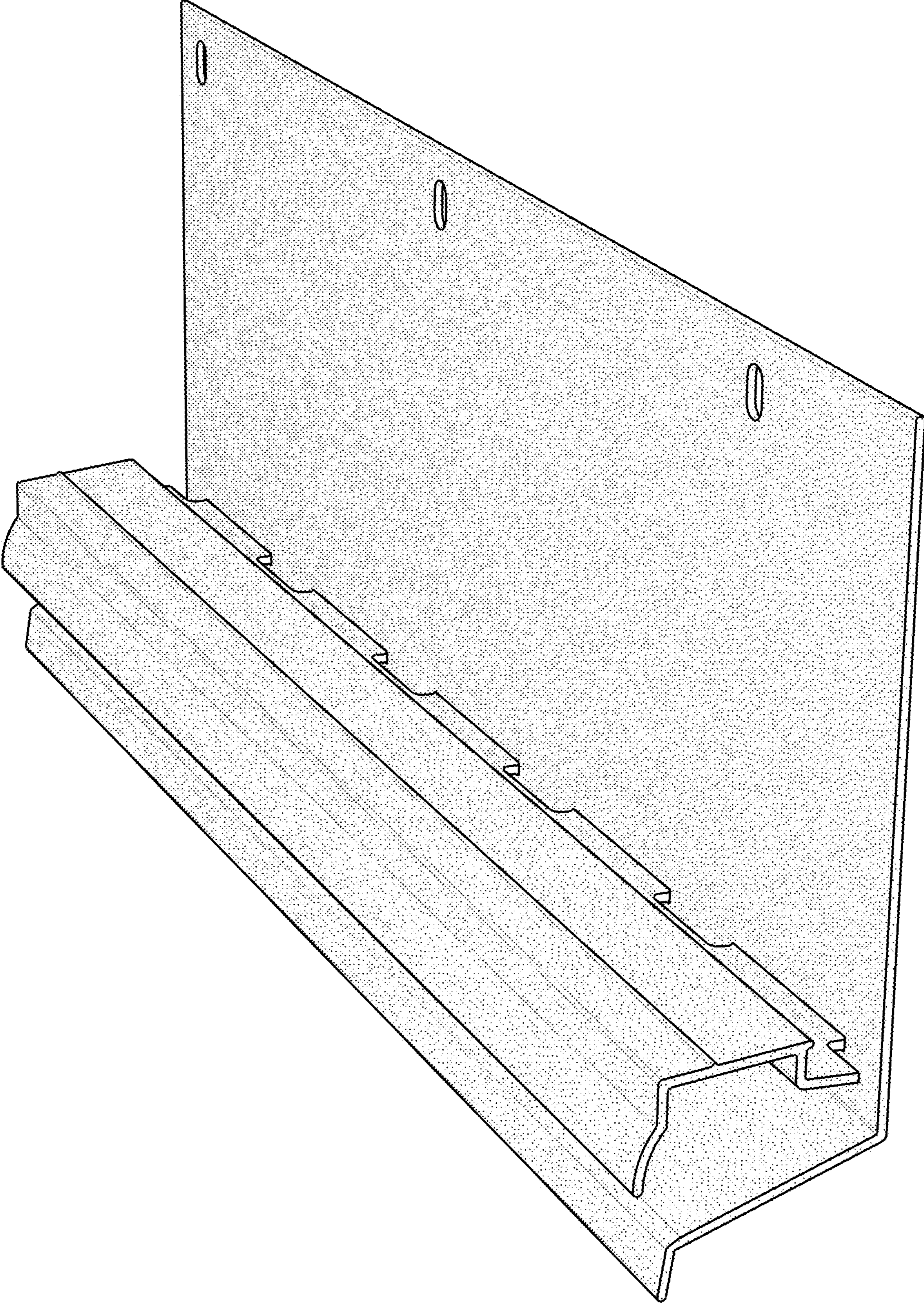


FIG.1

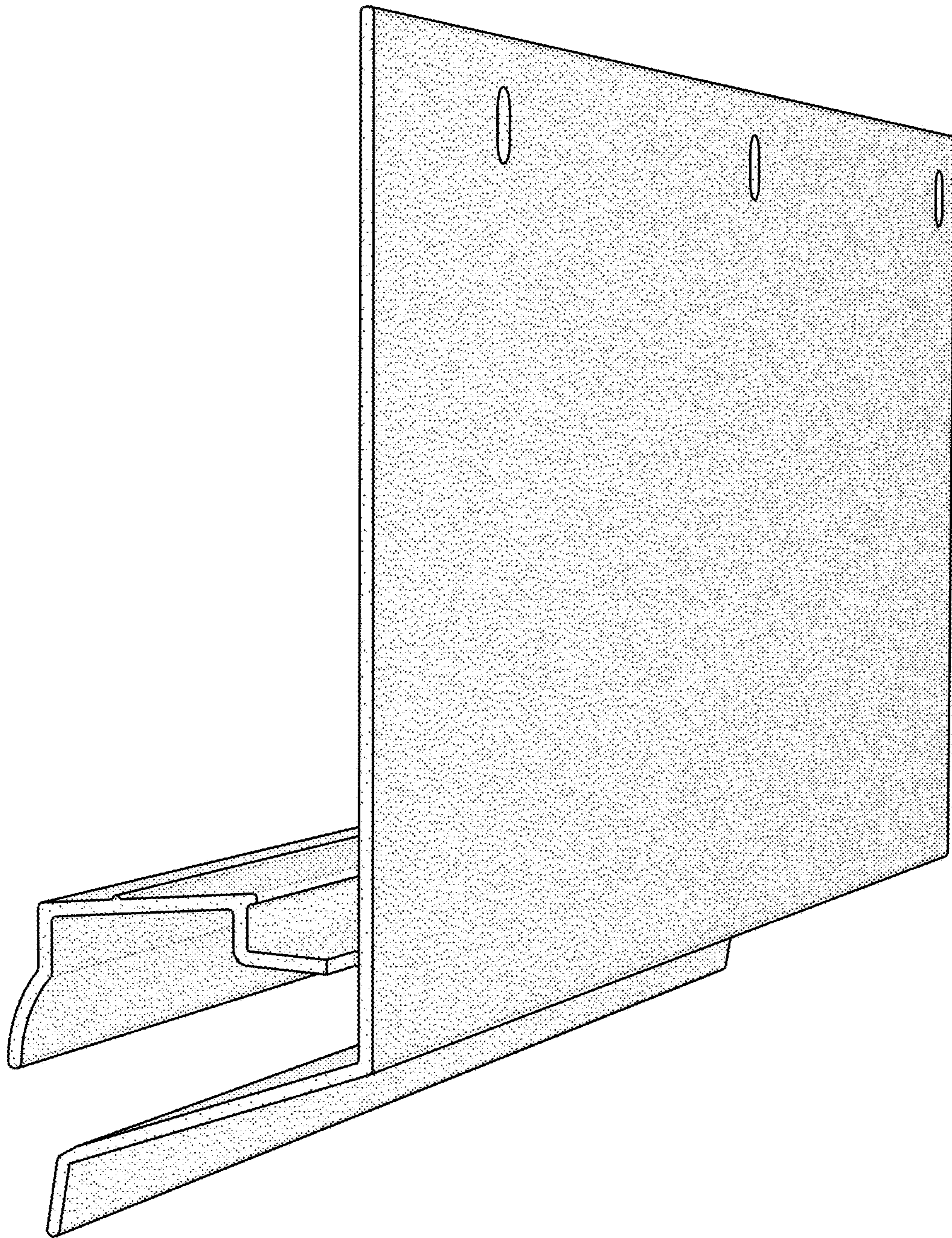


FIG.2

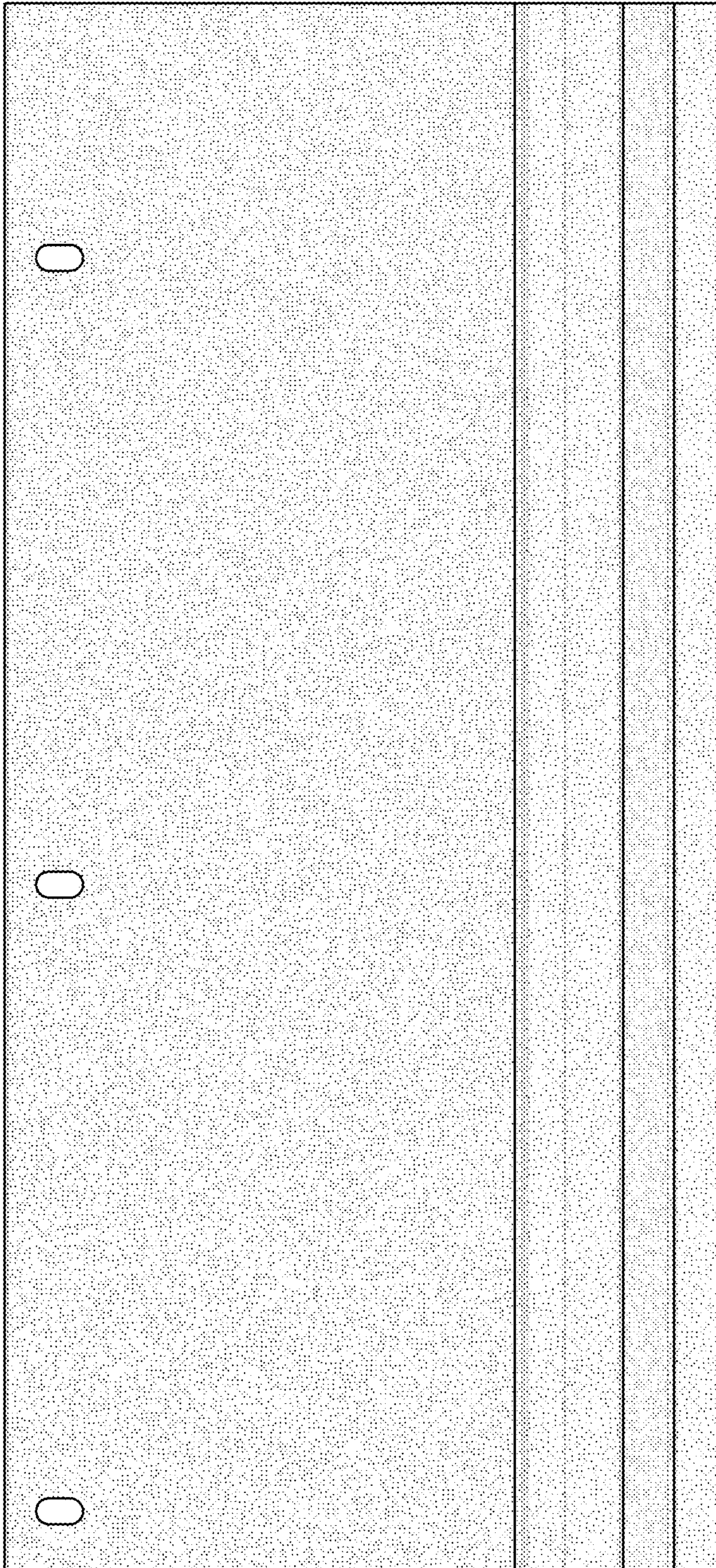


FIG.3

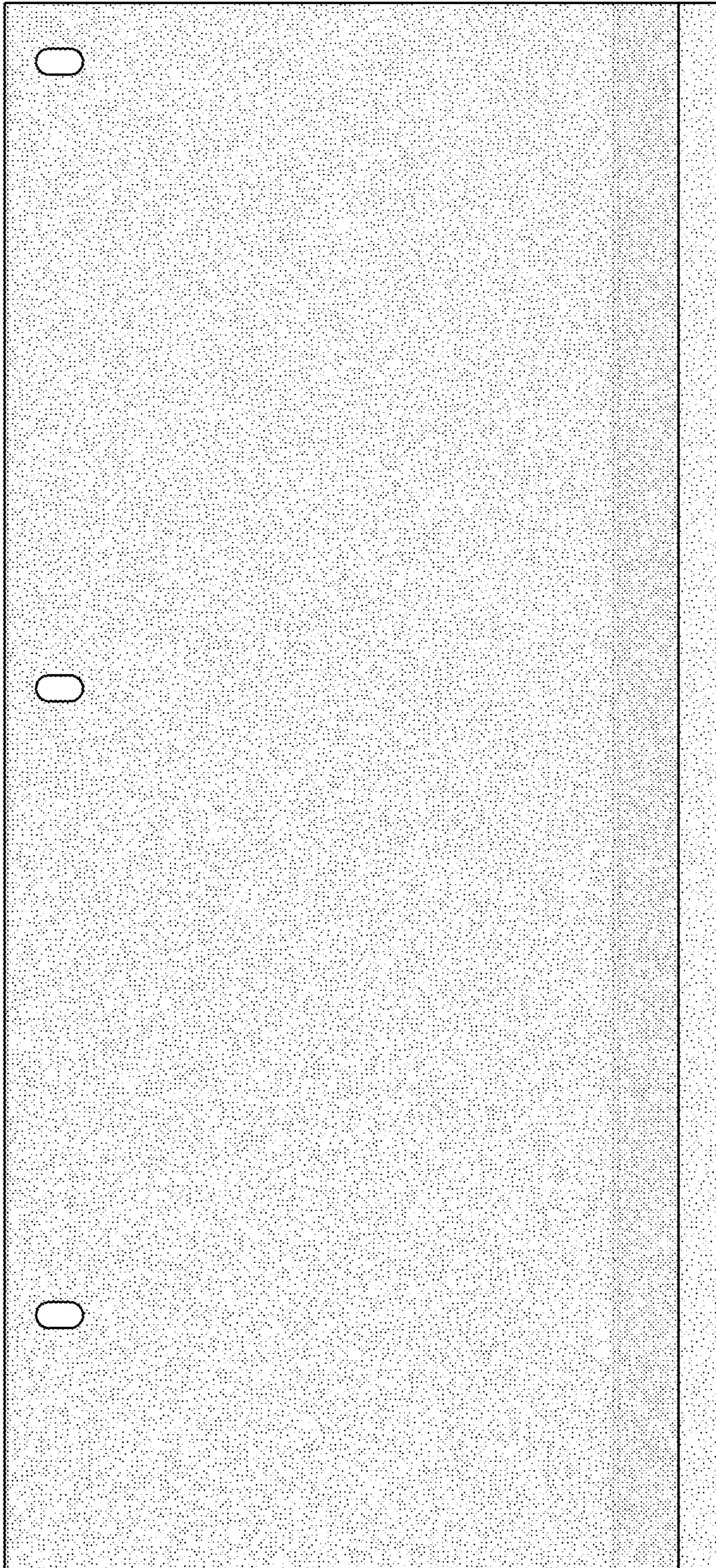


FIG.4

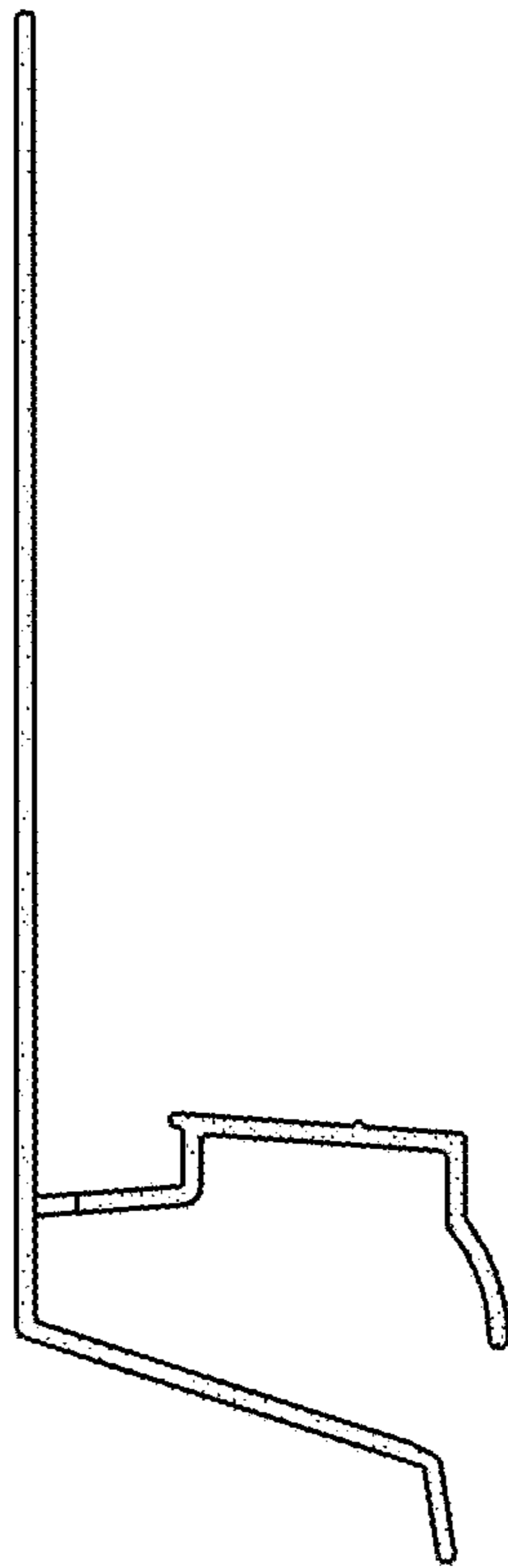


FIG.5

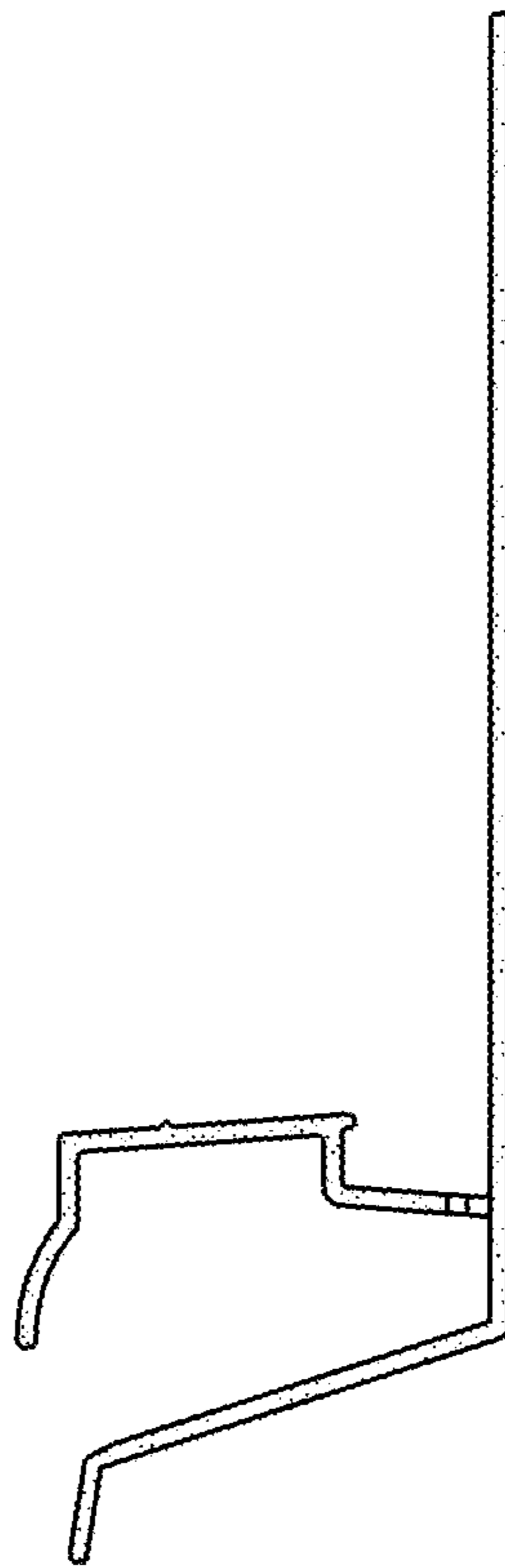


FIG.6

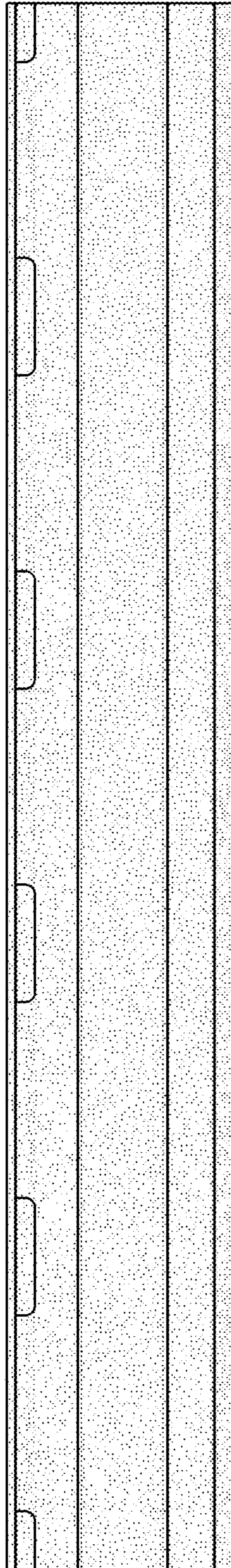


FIG.7

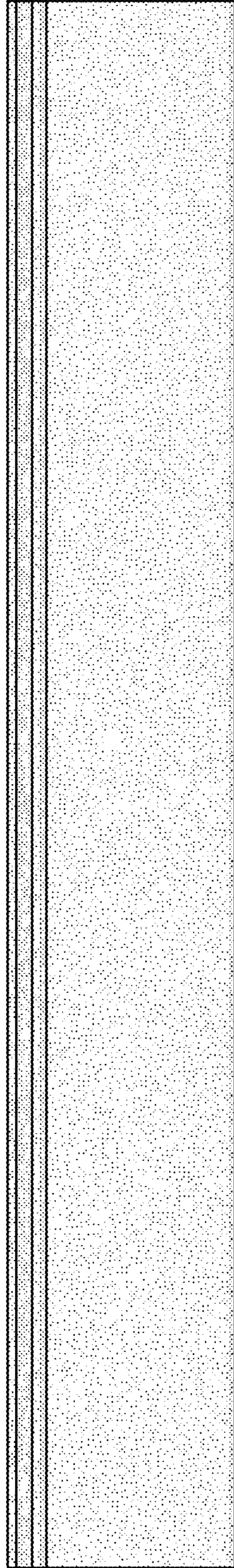


FIG.8

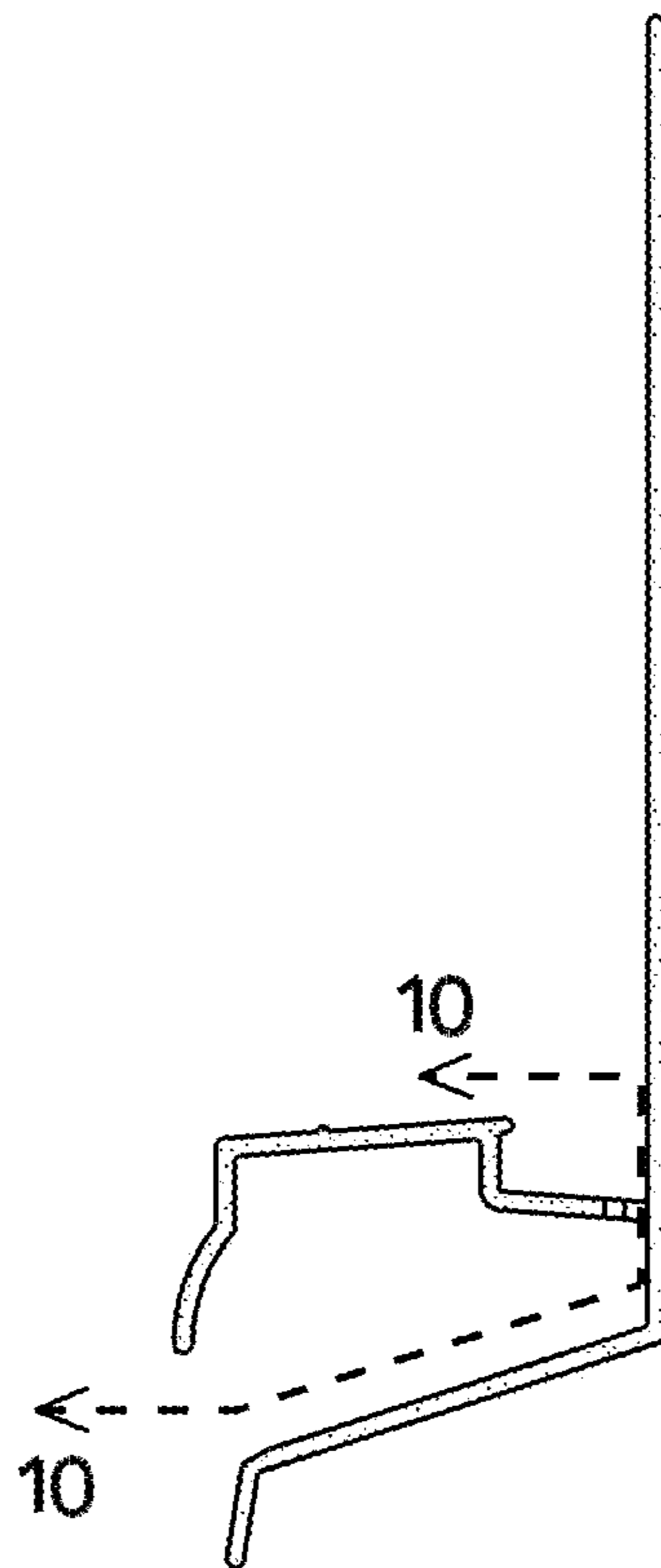


FIG.9

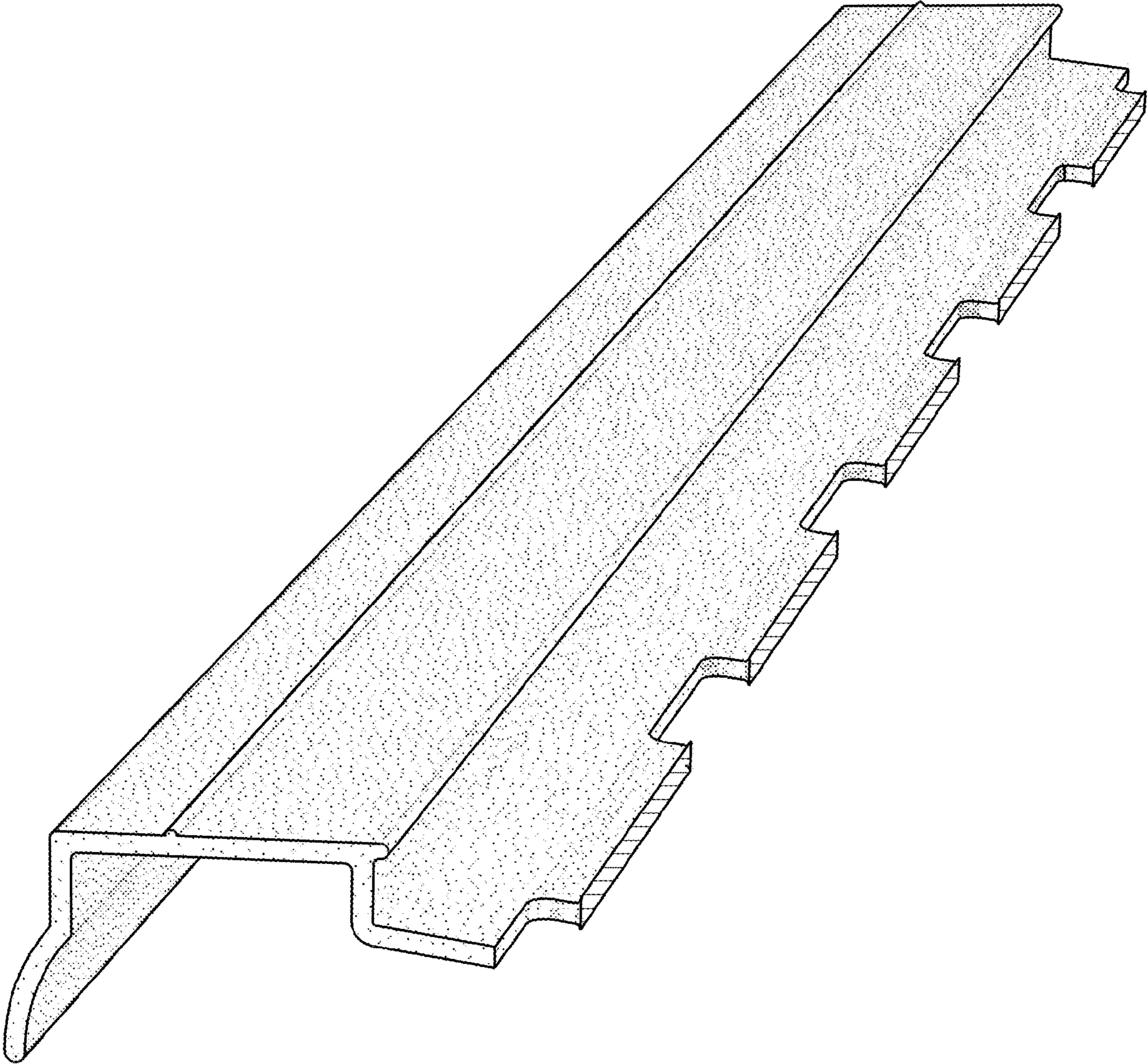


FIG.10

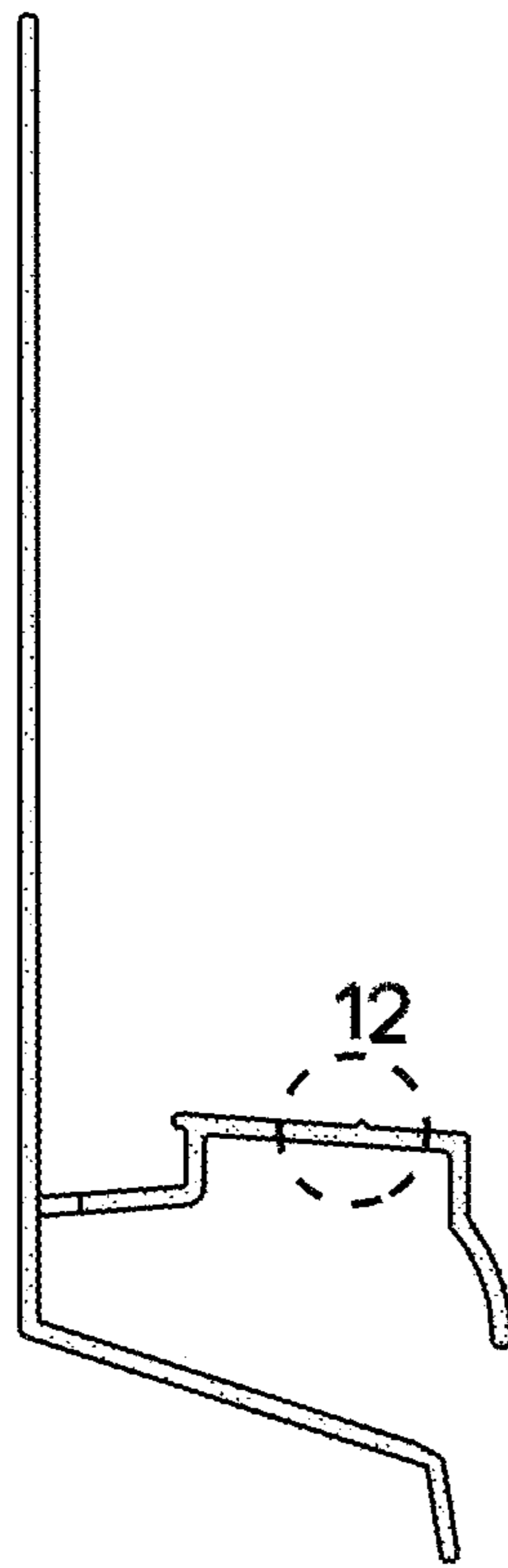


FIG.11

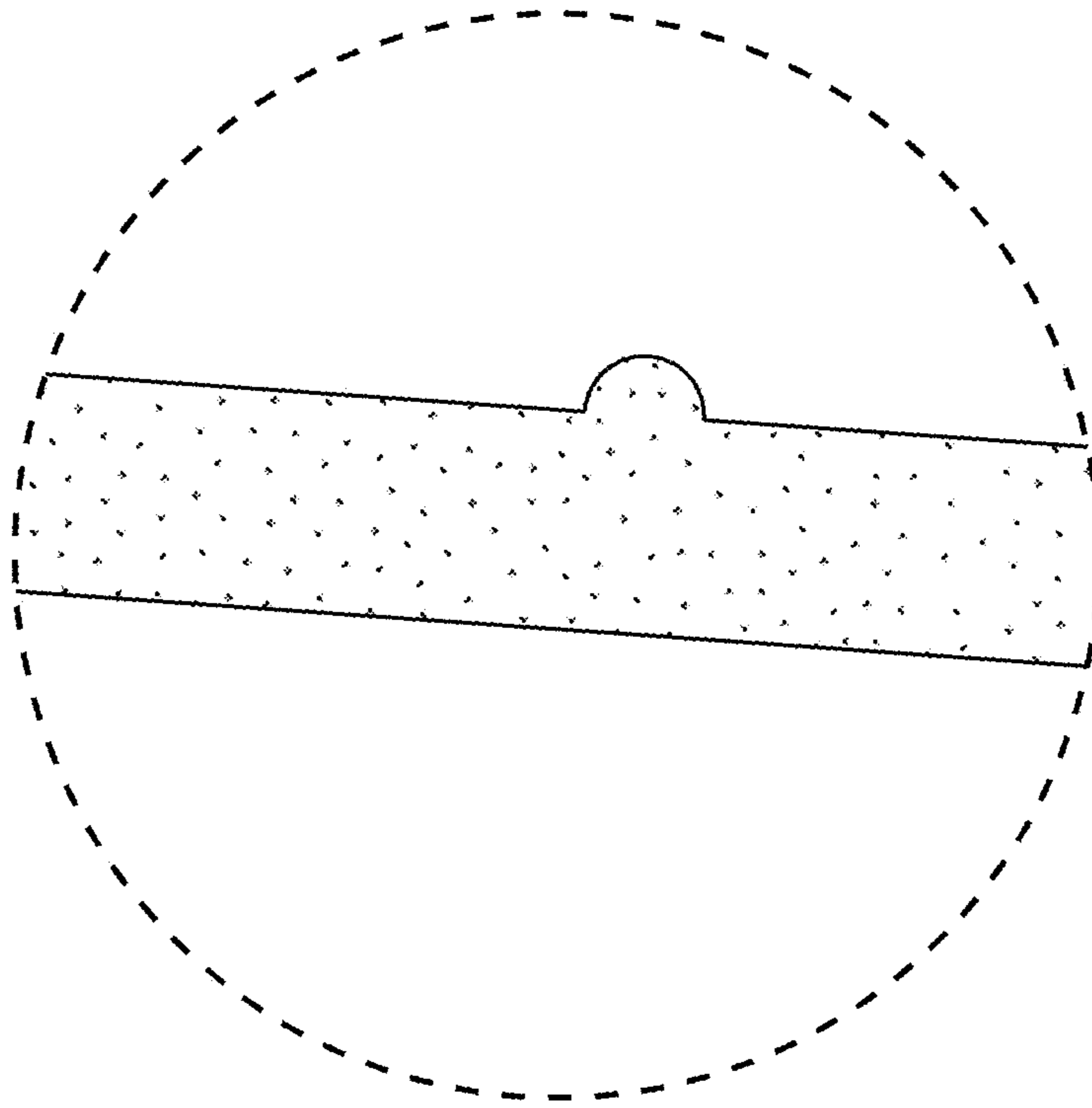


FIG. 12