



US00D905293S

(12) **United States Design Patent** (10) **Patent No.:** **US D905,293 S**  
**Nencioni** (45) **Date of Patent:** **\*\* Dec. 15, 2020**

(54) **MOSAIC TILE**  
(71) Applicant: **MOSAICO+ S.R.L.**, Milan (IT)  
(72) Inventor: **Stefano Nencioni**, Milan (IT)  
(73) Assignee: **MOSAICO+ S.R.L.**, Milan (IT)  
(\*\*) Term: **15 Years**  
(21) Appl. No.: **29/706,606**  
(22) Filed: **Sep. 20, 2019**

(30) **Foreign Application Priority Data**  
Sep. 4, 2019 (EM) ..... 006814257  
(51) **LOC (12) Cl.** ..... **25-01**  
(52) **U.S. Cl.**  
USPC ..... **D25/138**  
(58) **Field of Classification Search**  
USPC ..... D25/138  
CPC .... B44F 9/00; B44F 9/04; B44F 11/04; B44F  
11/06; E04F 15/126; E04F 15/00; E04F  
15/02; B32B 18/00; B32B 2318/04; B32B  
2419/04; B32B 2419/00; B32B 2607/00;  
B32B 9/002; B32B 9/005; E01C 1/00;  
E01C 1/002; E01C 11/00; E01C 15/00;  
E01C 2201/00; E01C 2201/14; E01C  
2201/16; E04C 2/00; E04C 2/041; E04C  
2/30; E04C 2/40; E04C 2/46; E04C 2/50;  
E04C 2/54; E04C 2002/008; E04C  
2002/005; E04B 1/00; E04B 1/02; E04B  
1/04

See application file for complete search history.

(56) **References Cited**  
U.S. PATENT DOCUMENTS  
8,865,284 B2 \* 10/2014 Lunetta ..... B32B 3/14  
428/48  
D794,127 S \* 8/2017 Elmaagacli ..... D21/300  
D794,128 S \* 8/2017 Elmaagacli ..... D21/300  
9,752,288 B2 \* 9/2017 Dignard ..... E01C 11/02  
D835,302 S \* 12/2018 Mussini ..... D25/138  
10,421,314 B2 \* 9/2019 Yu ..... E04F 15/04  
D863,600 S \* 10/2019 Chao ..... D25/138

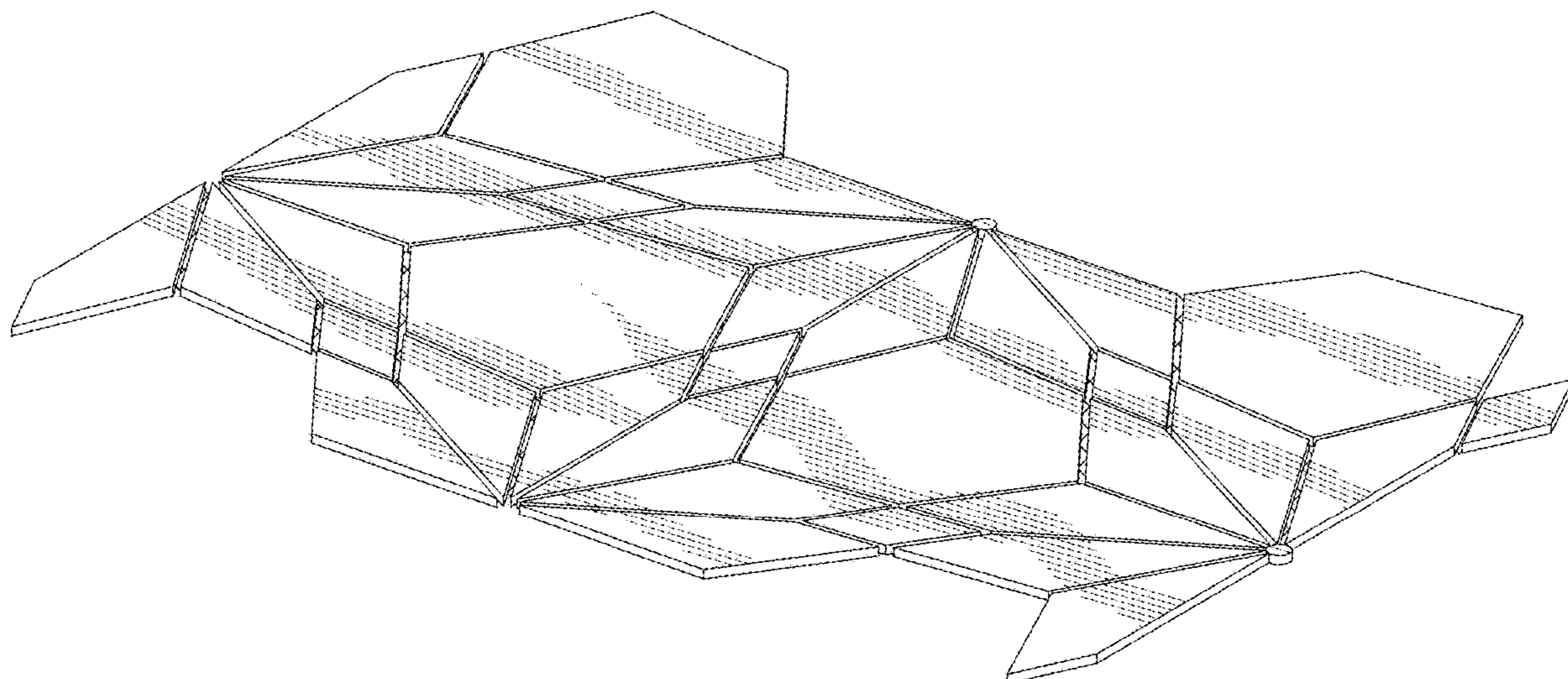
\* cited by examiner

*Primary Examiner* — Doris Clark  
(74) *Attorney, Agent, or Firm* — Hedman & Costigan,  
P.C.; James V. Costigan; Kathleen A. Costigan

(57) **CLAIM**  
The ornamental design for a mosaic tile, as shown and  
described.

**DESCRIPTION**  
FIG. 1 is a front perspective view of a mosaic tile showing  
my new design;  
FIG. 2 is a front view thereof;  
FIG. 3 is a back view thereof;  
FIG. 4 is a left side thereof;  
FIG. 5 is a right side thereof;  
FIG. 6 is a top view thereof; and,  
FIG. 7 is a bottom view thereof.  
The broken lines showing the support structure connecting  
the individual pieces of material are for environmental  
purposes only and form no part of the claimed design.

**1 Claim, 4 Drawing Sheets**



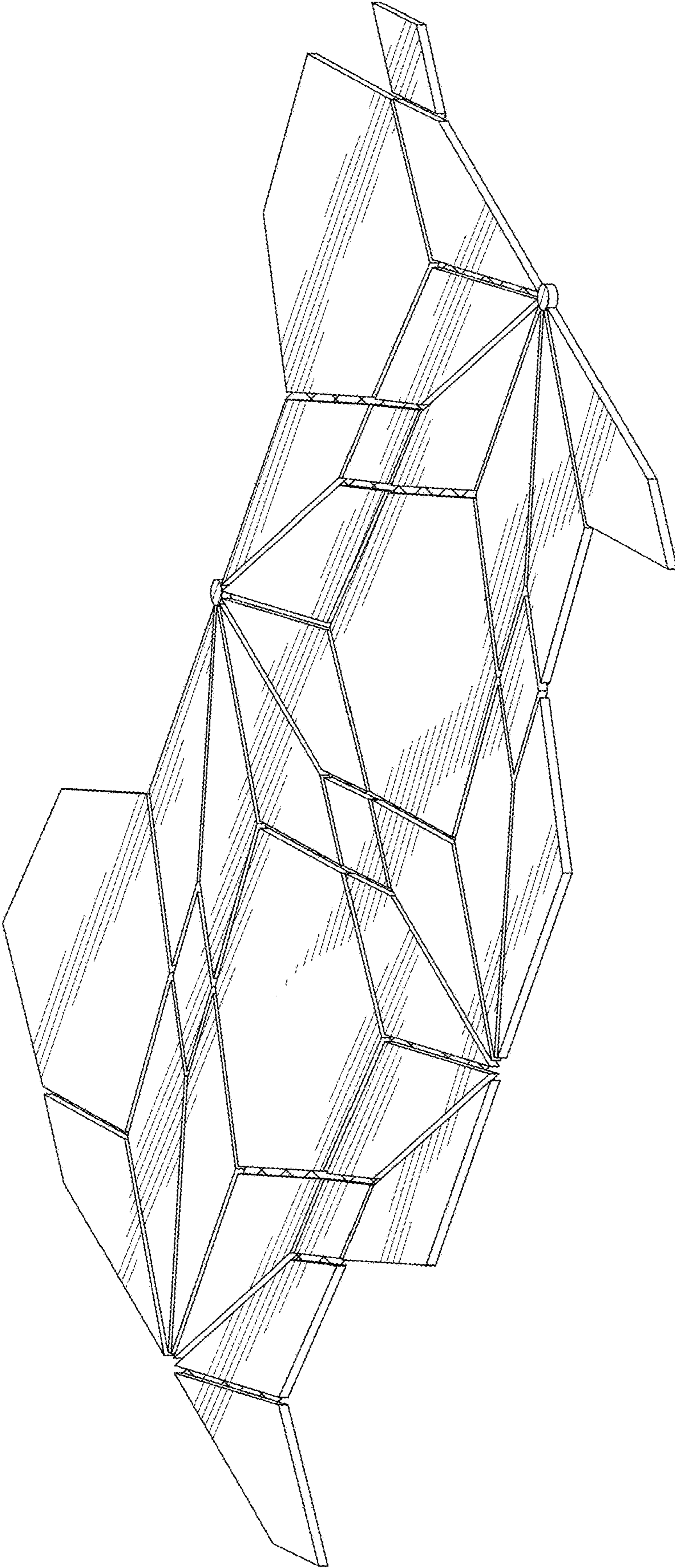


FIG.1

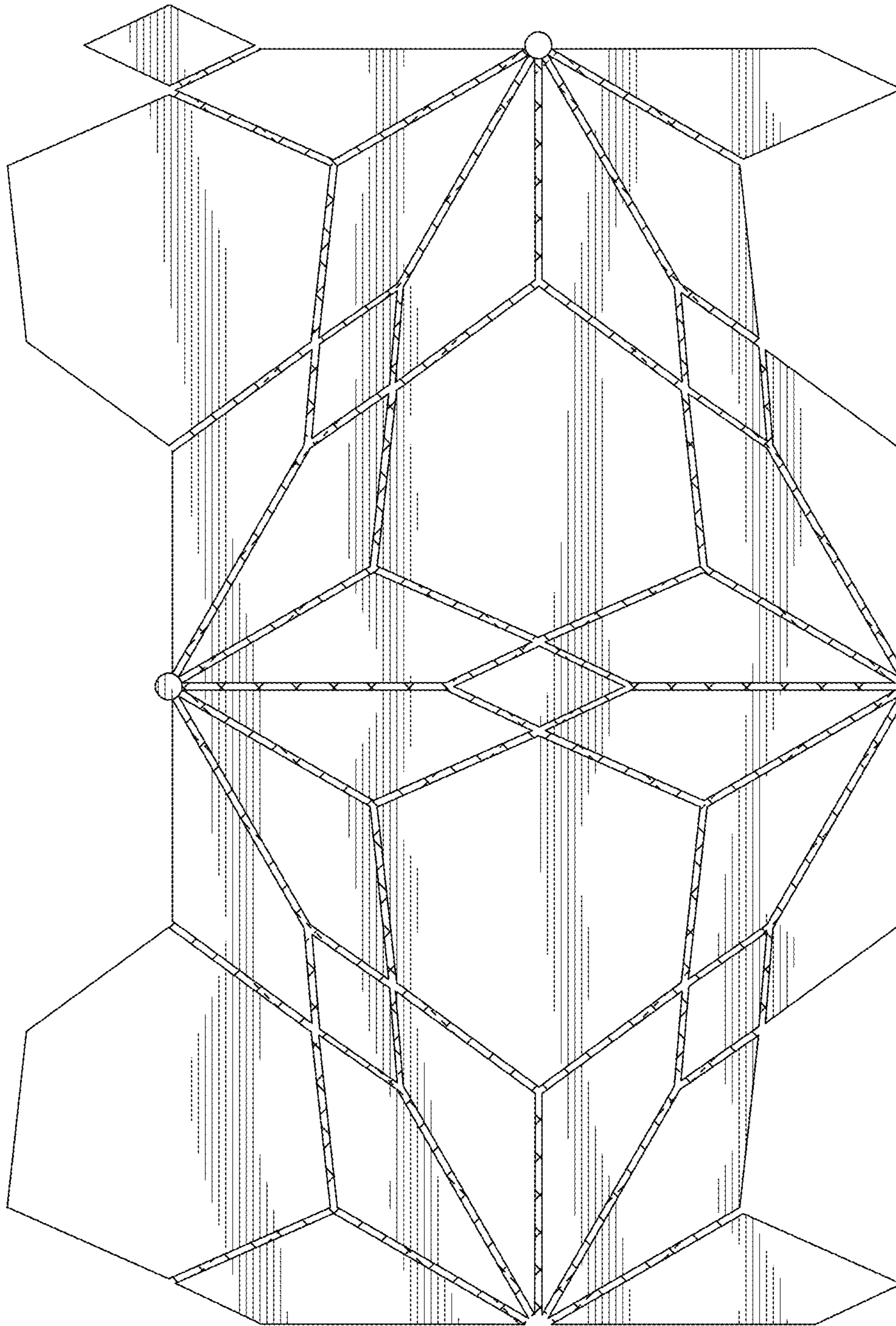


FIG.2

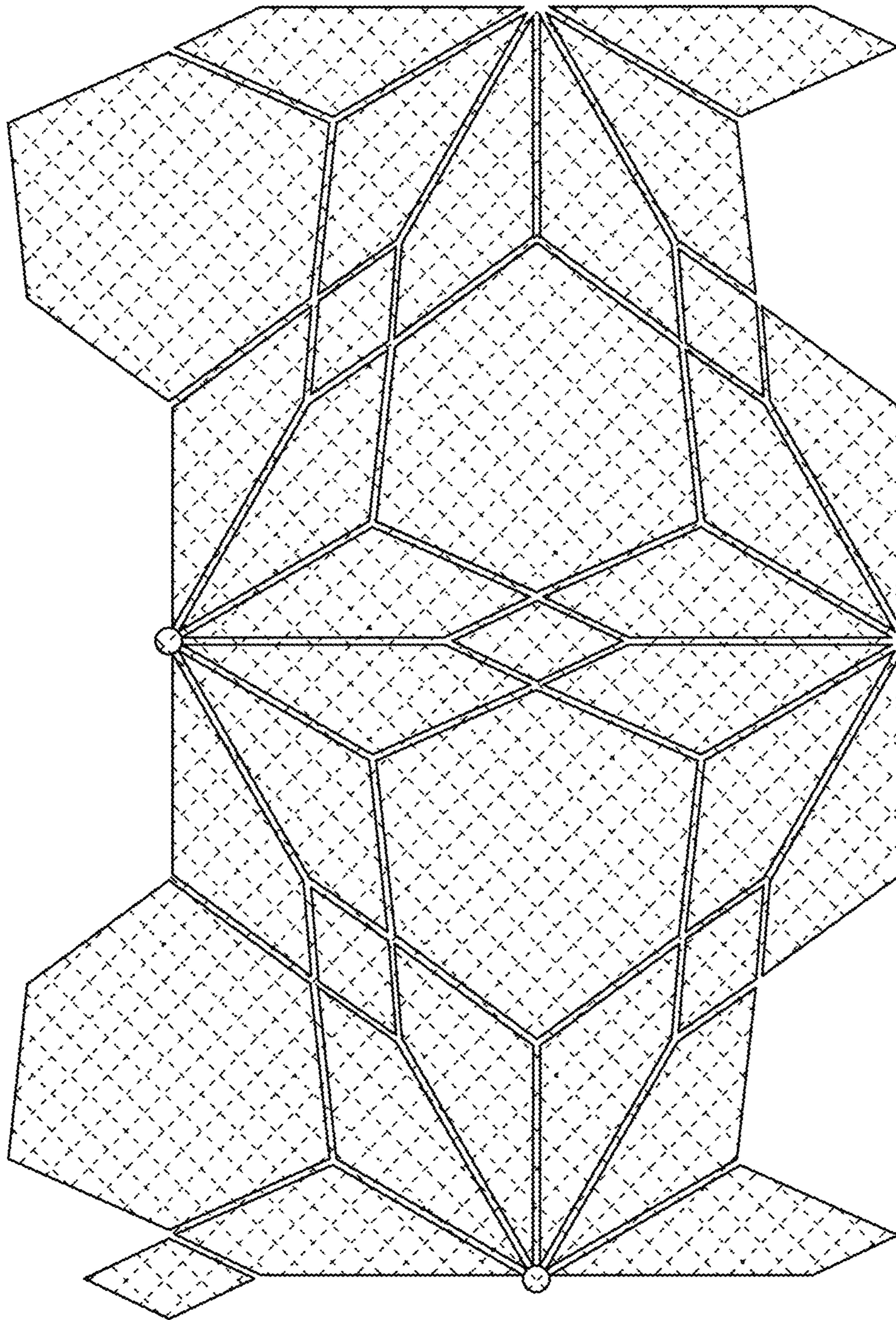


FIG.3

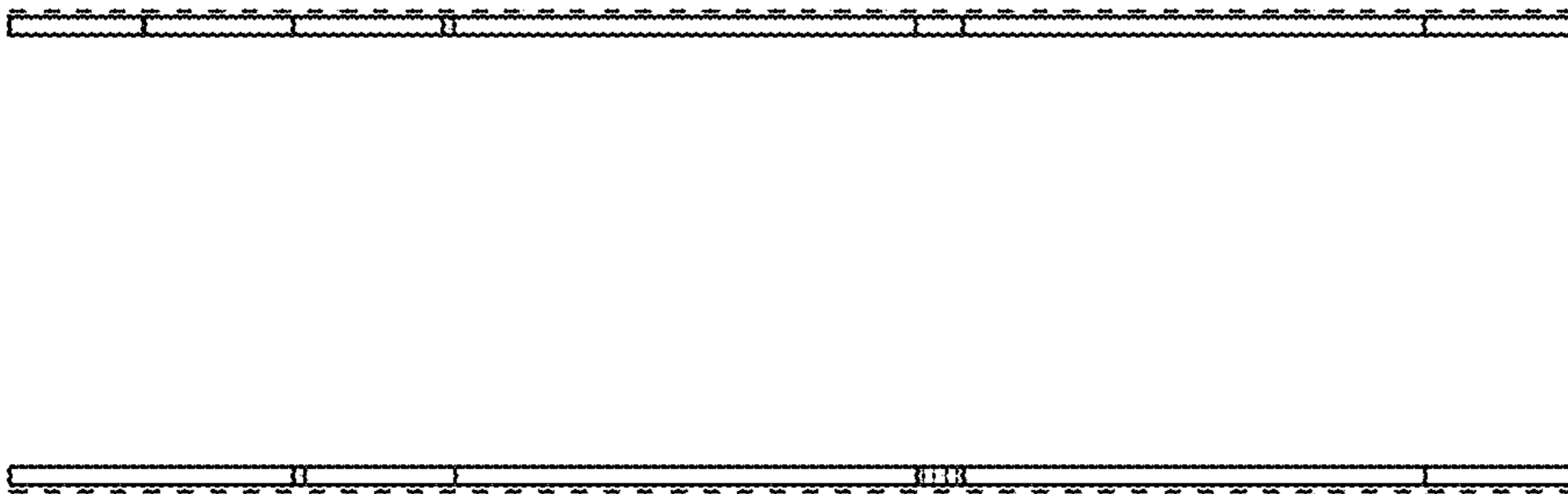


FIG.4 FIG.5



FIG.6



FIG.7