



US00D905291S

(12) **United States Design Patent** (10) **Patent No.:** **US D905,291 S**  
**Martin et al.** (45) **Date of Patent:** **\*\* Dec. 15, 2020**

(54) **PANEL FOR POLYGONAL PARTITIONS**

FOREIGN PATENT DOCUMENTS

(71) Applicant: **3FORM, LLC**, Salt Lake City, UT (US)

EM 006079620-0001 1/2019  
JP 1500984 S 6/2014  
(Continued)

(72) Inventors: **Guillaume Martin**, Rochetoirin (FR);  
**Charles H. Moore**, Salt Lake City, UT (US)

OTHER PUBLICATIONS

(73) Assignee: **3FORM, LLC**, Salt Lake City, UT (US)

3form Install Doc 200.53.SimpleSpec [https://www.3form.com/downloads/3form\\_Install.Doc\\_200\\_53\\_SimpleSpec.pdf](https://www.3form.com/downloads/3form_Install.Doc_200_53_SimpleSpec.pdf) Last Modified Oct. 11, 2018 (Year: 2018).

(Continued)

(\*\*) Term: **15 Years**

*Primary Examiner* — Doris Clark

(21) Appl. No.: **29/648,729**

(74) *Attorney, Agent, or Firm* — Workman Nydegger

(22) Filed: **May 23, 2018**

(51) **LOC (12) Cl.** ..... **25-01**

(57) **CLAIM**

(52) **U.S. Cl.**

The ornamental design for a panel for polygonal partitions, as shown and described.

USPC ..... **D25/138**

(58) **Field of Classification Search**

USPC ..... D25/138; D6/332  
CPC . E04B 2/00; E04B 2/0208; E04B 2/74; E04B 2/7401; E04B 2/7405; E04B 2/7498; E04B 2/721

See application file for complete search history.

**DESCRIPTION**

(56) **References Cited**

U.S. PATENT DOCUMENTS

2,678,705 A	5/1954	Haines et al.	
3,601,031 A	8/1971	Abel et al.	
D231,062 S	4/1974	Kramer	
4,043,086 A	8/1977	Kaulfuss et al.	
D248,437 S	7/1978	Robinson	
D316,151 S *	4/1991	Heidmann	D25/138
5,107,637 A	4/1992	Robbins	
5,145,287 A	9/1992	Hooper et al.	
D349,608 S *	8/1994	Savoie	D25/138
D353,946 S	1/1995	Fischer et al.	
D354,818 S	1/1995	Johnson	
D385,044 S	10/1997	Johnson et al.	
6,141,925 A *	11/2000	Halvorson, Jr.	E04B 2/7455 52/126.3

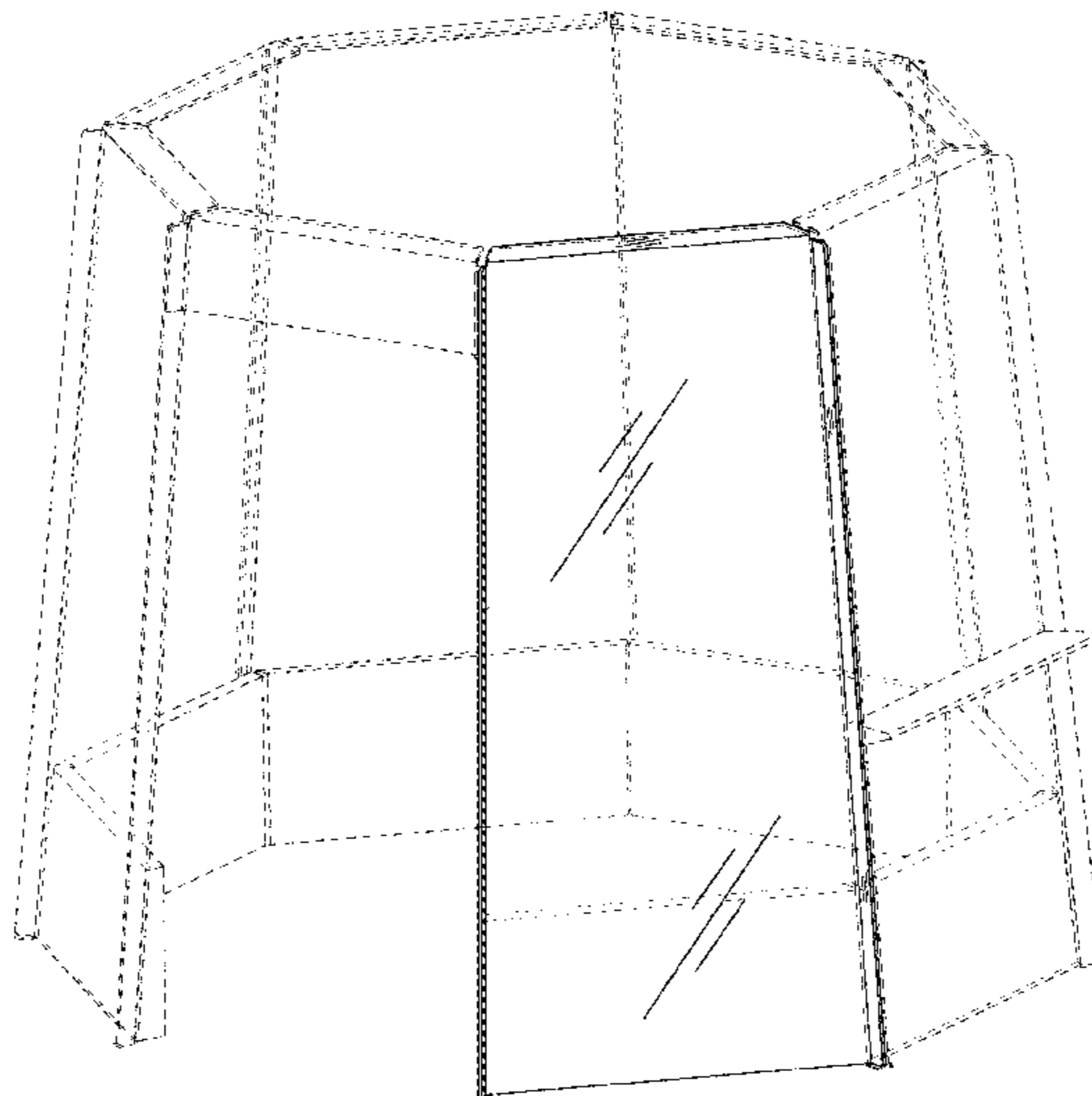
FIG. 1 is a top, right, front perspective view of our new design for a panel for polygonal partitions shown in a configuration of use;  
FIG. 2 is a top, left, front perspective view of the panel for polygonal partitions;  
FIG. 3 is a front elevation view thereof;  
FIG. 4 is a rear elevation view thereof;  
FIG. 5 is a left side elevation view thereof;  
FIG. 6 is a right side elevation view thereof;  
FIG. 7 is a top plan view thereof; and,  
FIG. 8 is a bottom plan view thereof.

The surface lines shown in the Figures denote surfaces of materials that are transparent or semi-transparent.

The broken line showing of elements on the panel for polygonal partitions illustrate portions of the article and form no part of the claimed design.

(Continued)

**1 Claim, 8 Drawing Sheets**



(56)

References Cited

U.S. PATENT DOCUMENTS

6,493,995 B2 \* 12/2002 McKenzie ..... A47F 5/105  
52/220.7  
D471,726 S 3/2003 Berg et al.  
D530,104 S \* 10/2006 Saffell ..... D6/332  
D538,060 S 3/2007 Golino et al.  
7,415,806 B2 \* 8/2008 Davidson ..... E04H 9/10  
109/49.5  
D720,160 S 12/2014 Lloyd et al.  
8,966,830 B2 \* 3/2015 Trenkler ..... E05D 1/04  
52/67  
D728,127 S 4/2015 Way  
9,010,045 B1 \* 4/2015 Kopish ..... E04B 2/7435  
52/202  
D740,040 S 10/2015 Bouroullec et al.  
D740,057 S 10/2015 Bouroullec et al.  
9,234,364 B2 \* 1/2016 Abad Huber ..... F03D 13/20  
D758,777 S 6/2016 McKenna et al.  
D762,876 S 8/2016 Karashima  
9,403,400 B2 8/2016 McManus et al.  
D775,865 S 1/2017 Bouroullec et al.  
D787,711 S \* 5/2017 Walter ..... D25/138  
D796,871 S 9/2017 Bouroullec et al.  
9,976,301 B2 5/2018 Loffler et al.  
10,000,924 B2 6/2018 Lasry et al.  
D825,001 S \* 8/2018 Henkel ..... D20/10  
D829,450 S \* 10/2018 Manente ..... D6/332

10,233,659 B1 3/2019 Holdredge et al.  
10,329,759 B2 6/2019 Feldpausch et al.  
10,626,602 B2 4/2020 Holbrook

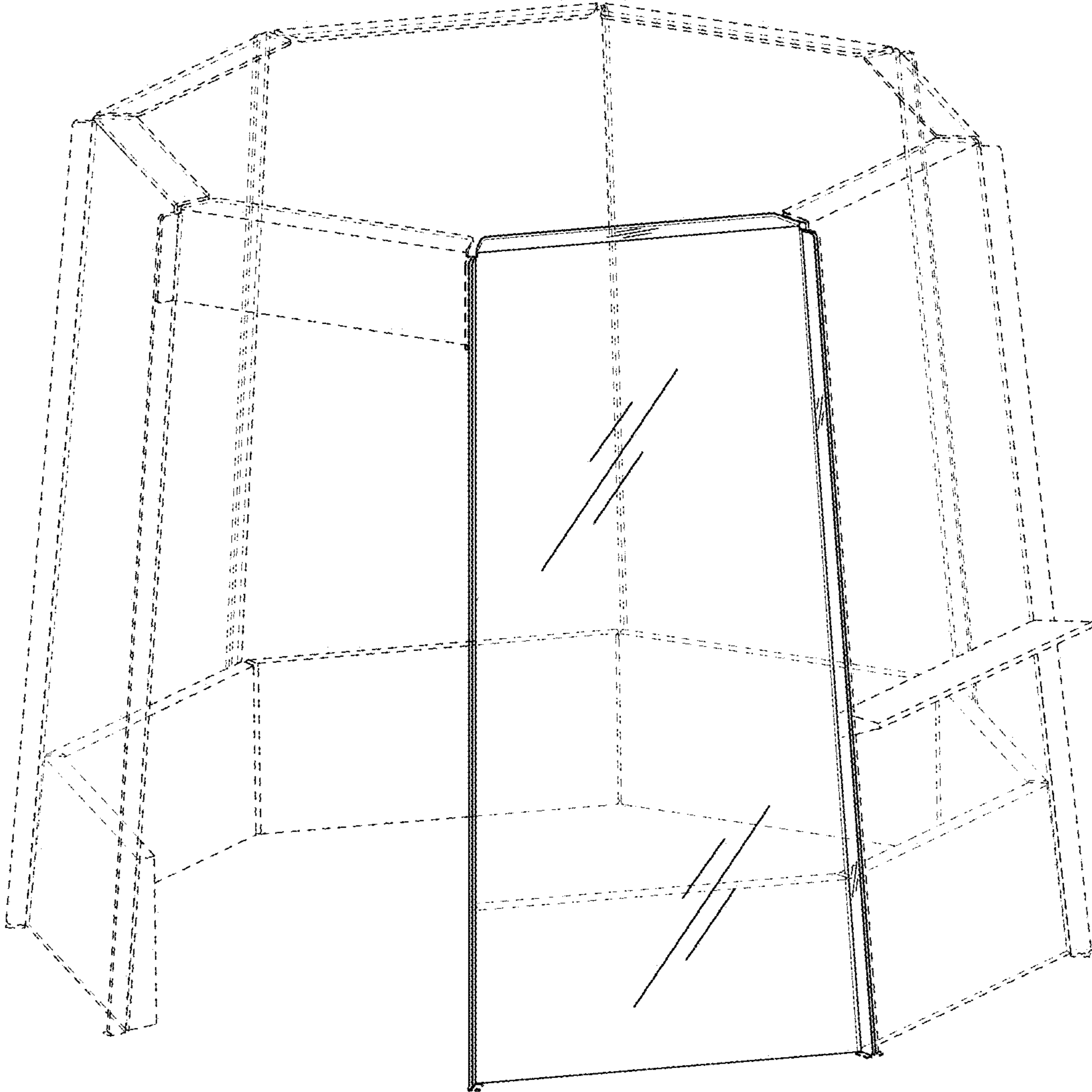
FOREIGN PATENT DOCUMENTS

JP 1592113 S 12/2017  
JP 1592114 12/2017  
JP 1592115 S 12/2017

OTHER PUBLICATIONS

3form Install Doc 200.62.SimpleSpec [https://www.3-form.com/downloads/3form\\_Install\\_Doc\\_200.62.SimpleSpec.pdf](https://www.3-form.com/downloads/3form_Install_Doc_200.62.SimpleSpec.pdf) Last modified Dec. 13, 2018 (Year: 2018).  
Architectmagazine lituo by 3form [https://www.architectmagazine.com/technology/products/ittuo-by-3form\\_o](https://www.architectmagazine.com/technology/products/ittuo-by-3form_o) Posted Nov. 5, 2018 (Year: 2018).  
HooDoo System 3form <https://www.3-form.com/system/hoodoo/> Available Oct. 13, 2018 (Year: 2018).  
Notice of Allowance for U.S. Appl. No. 29/648,721 dated Jan. 15, 2020.  
Notice of Allowance for U.S. Appl. No. 29/648,725 dated Jan. 15, 2020.  
Notice of Allowance for U.S. Appl. No. 29/648,727 dated Jan. 15, 2020.

\* cited by examiner



**FIG. 1**

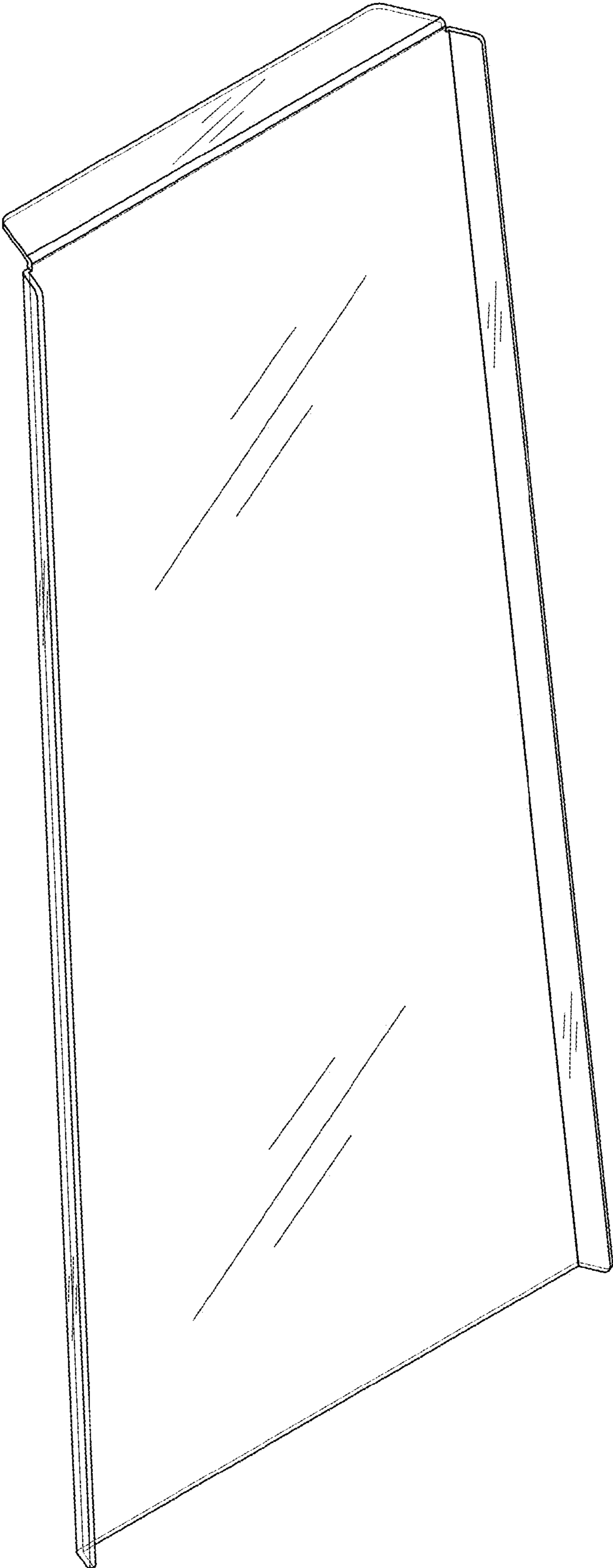


FIG. 2

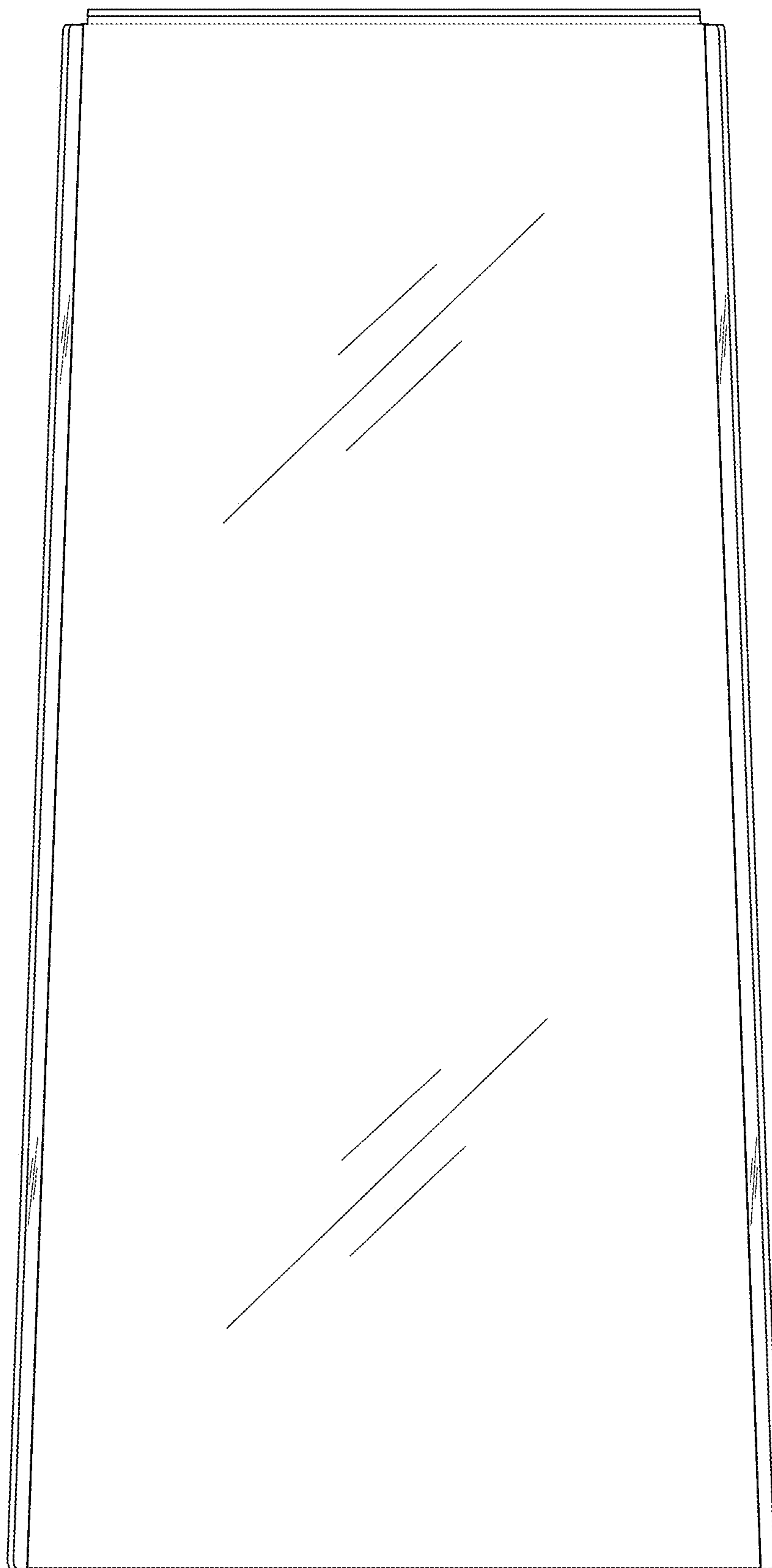


FIG. 3



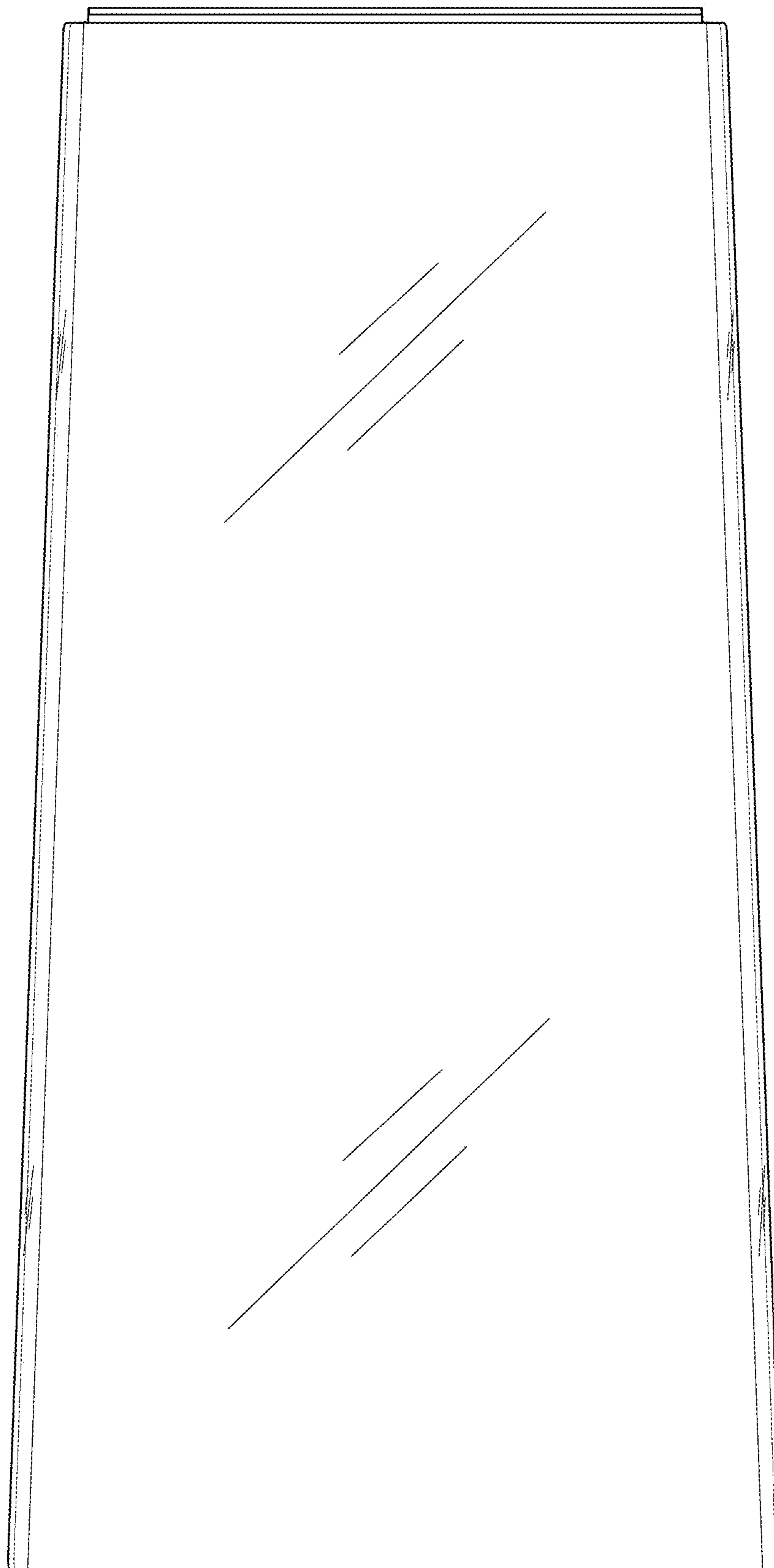
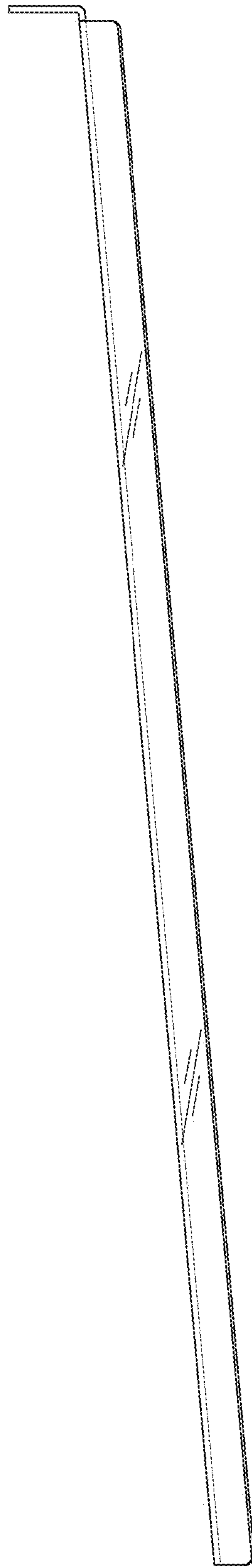
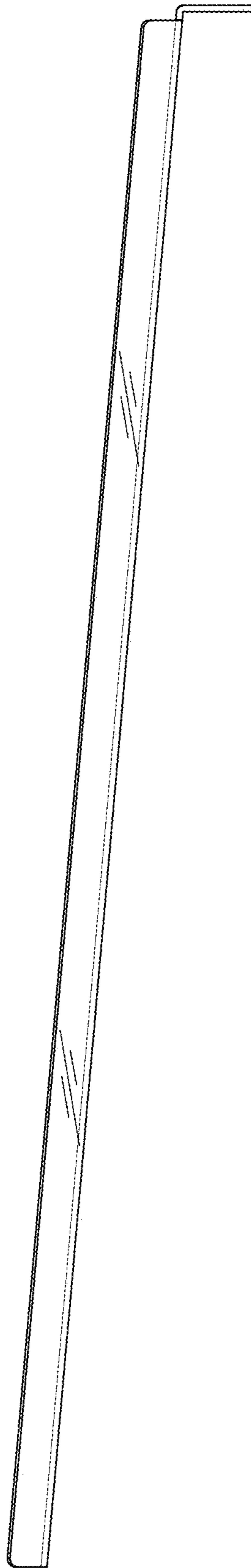


FIG. 4



**FIG. 5**



**FIG. 6**



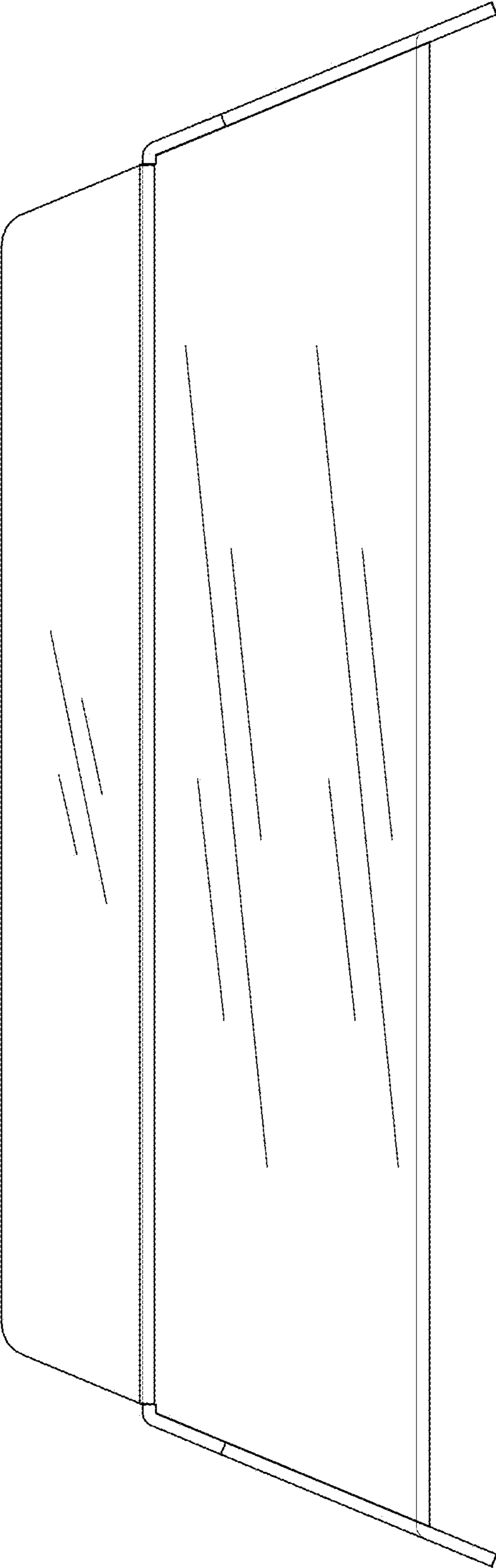


FIG. 7

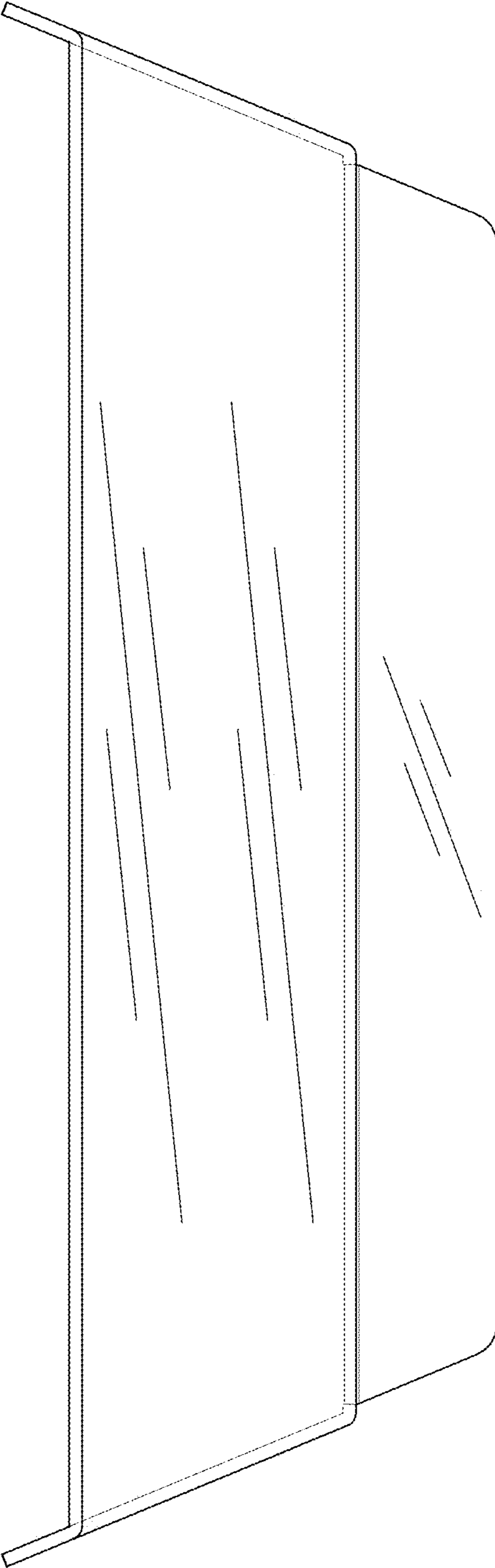


FIG. 8