



US00D905290S

(12) **United States Design Patent** (10) **Patent No.:** **US D905,290 S**  
**Jo** (45) **Date of Patent:** **\*\* Dec. 15, 2020**

(54) **FRAME PROFILE FOR GREENHOUSE**

(71) Applicant: **Heung Ryeol Jo**, Daejeon (KR)

(72) Inventor: **Heung Ryeol Jo**, Daejeon (KR)

(73) Assignee: **Heung Ryeol Jo**, Daejeon (KR)

(\*\*) Term: **15 Years**

(21) Appl. No.: **35/507,033**

(22) Filed: **Nov. 13, 2018**

(80) **Hague Agreement Data**

Int. Filing Date: **Nov. 13, 2018**

Int. Reg. No.: **DM/201744**

Int. Reg. Date: **Nov. 13, 2018**

Int. Reg. Pub. Date: **Jul. 5, 2019**

(51) **LOC (12) Cl.** ..... **25-01**

(52) **U.S. Cl.**  
USPC ..... **D25/124; D25/119**

(58) **Field of Classification Search**  
USPC .... D25/119, 35, 60, 61, 120, 121, 122, 123,  
D25/124, 125, 126, 127, 128, 129, 130,  
D25/131, 132, 133, 134, 135, 136, 164,  
D25/199; D6/702, 709.2, 709.21, 712;  
D8/354, 373, 374, 375, 376, 377, 380,  
D8/381, 382, 400, 402, 403, 499  
CPC .... A47B 2210/0091; A47B 2210/0094; E04B  
1/82; E04B 1/84; E04B 2001/747; E04B  
2009/186; E05B 77/38; E05B 77/42;  
E04C 3/00; E04C 3/005; E04C 3/02;  
E04C 3/12; E04C 3/20; E04C 3/28; E04C  
3/30

See application file for complete search history.

(56) **References Cited**

U.S. PATENT DOCUMENTS

D370,423	S	*	6/1996	Nagai	.....	D10/94
D376,855	S	*	12/1996	Leung	.....	D25/119
7,004,667	B2	*	2/2006	Ludwig	.....	E04B 9/14 403/258
D567,397	S	*	4/2008	Terada	.....	D25/126
D678,698	S	*	3/2013	McLean	.....	D6/702
D739,562	S	*	9/2015	Campbell	.....	D25/124
D745,299	S	*	12/2015	Chang	.....	D25/124
D747,127	S	*	1/2016	Chang	.....	D25/120
D800,348	S	*	10/2017	Blick	.....	D25/119
D801,551	S	*	10/2017	Boehl	.....	D25/126
D854,710	S	*	7/2019	Hendry	.....	D25/126
D872,895	S	*	1/2020	Hay, III	.....	D25/124

\* cited by examiner

*Primary Examiner* — Samantha Q Lawrence

(74) *Attorney, Agent, or Firm* — Harvest IP Law, LLP

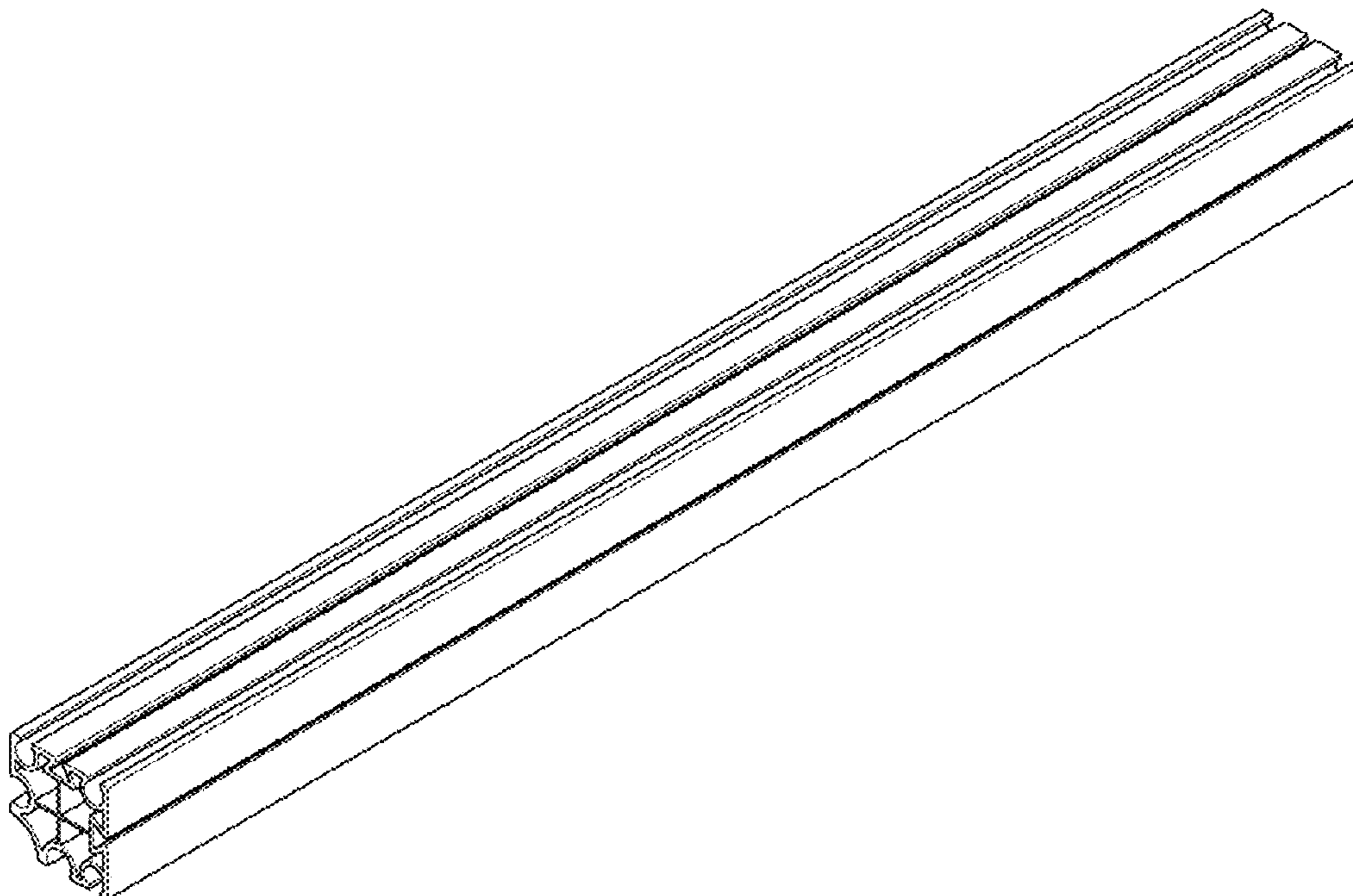
(57) **CLAIM**

The ornamental design for a frame profile for greenhouse, as shown and described.

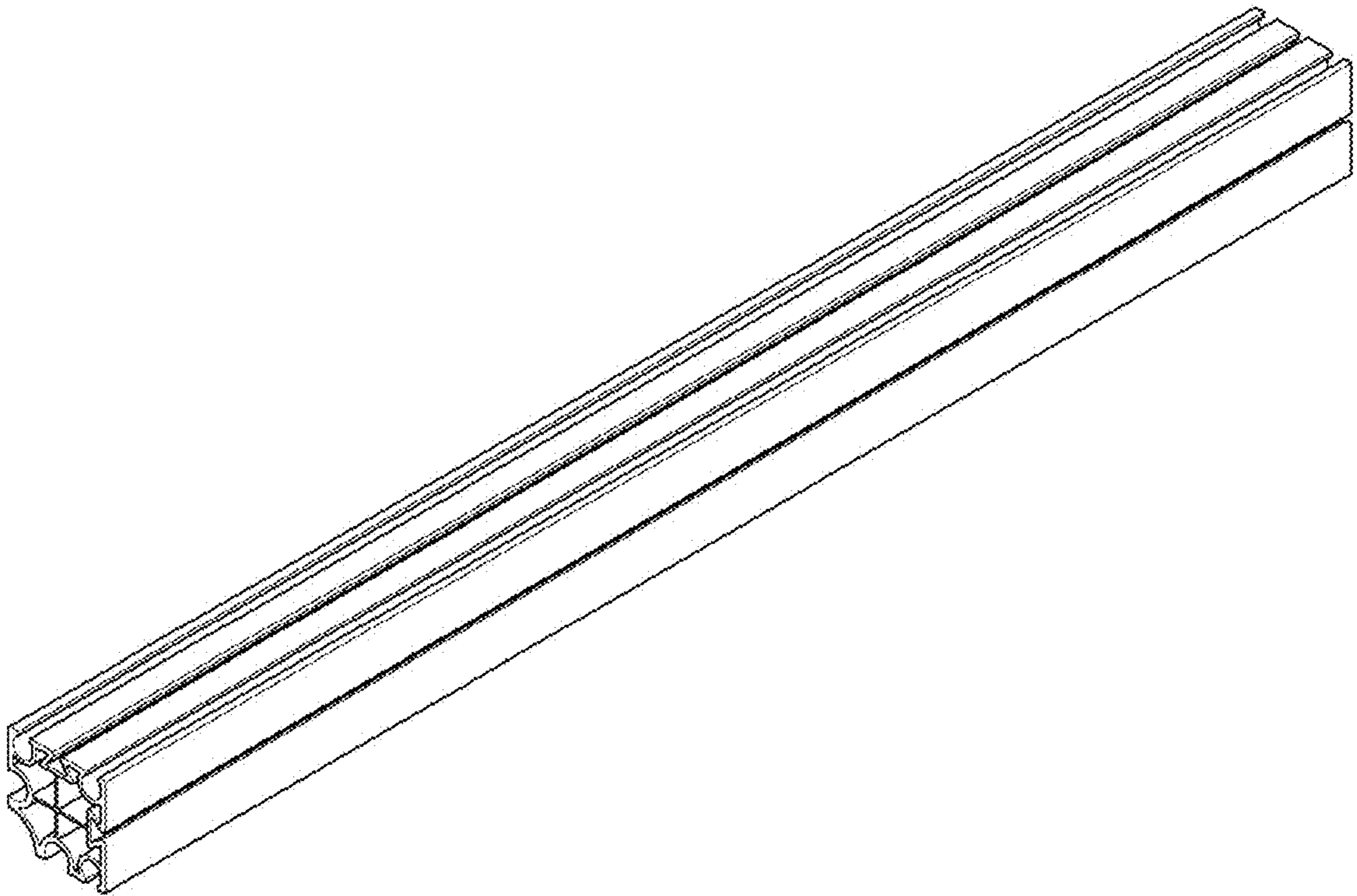
**DESCRIPTION**

1. Frame profile for greenhouse  
FIG. 1.1 is a perspective view of a frame profile for greenhouse;  
FIG. 1.2 is a front view thereof;  
FIG. 1.3 is a back view thereof;  
FIG. 1.4 is a top view thereof; and  
FIG. 1.5 is a bottom view thereof;  
FIG. 1.6 is a left view thereof; and  
FIG. 1.7 is a right view thereof.

**1 Claim, 7 Drawing Sheets**

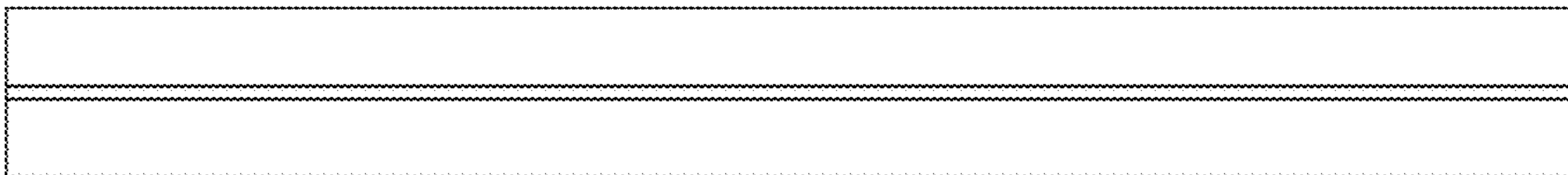


1.1

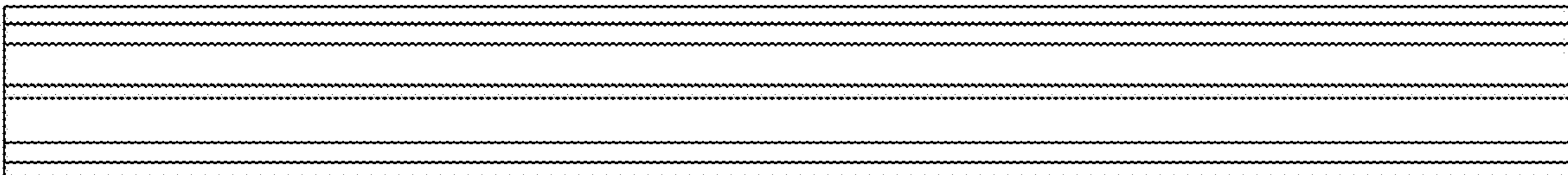


**1.2**

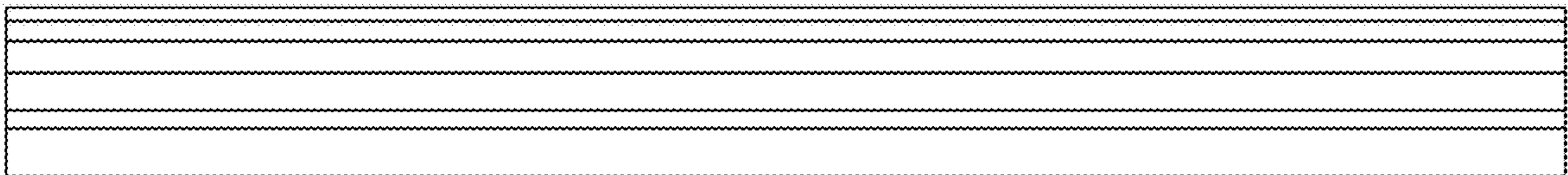

**1.3**



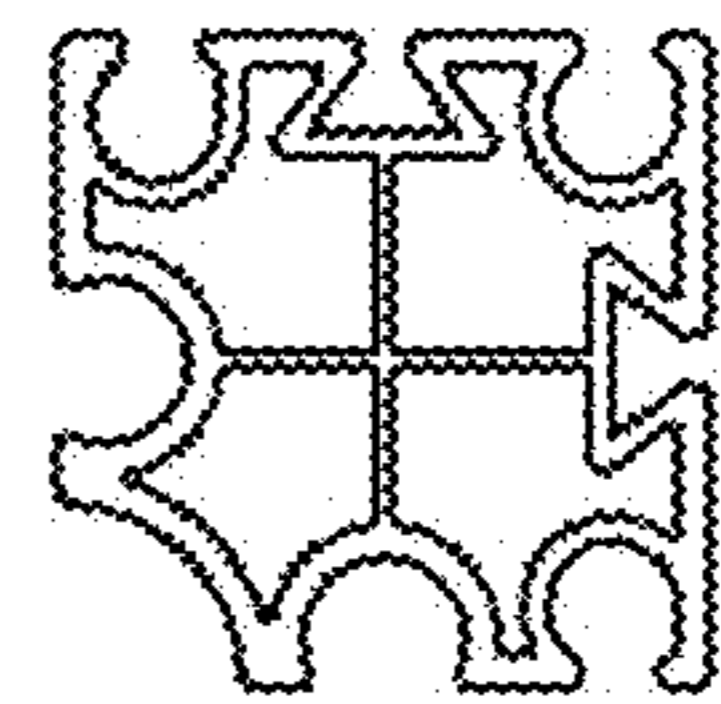
**1.4**



**1.5**



1.6



1.7

