



US00D905289S

(12) **United States Design Patent**
Hay, III

(10) **Patent No.:** **US D905,289 S**

(45) **Date of Patent:** **** Dec. 15, 2020**

- (54) **WINDOW FRAME LINEAL**
- (71) Applicant: **Hawkes Design and Consulting, LLC**,
Charleston, SC (US)
- (72) Inventor: **Henry M. Hay, III**, Charleston, SC
(US)
- (73) Assignee: **Hawkes Design and Consulting, LLC**,
Charleston, SC (US)
- (**) Term: **15 Years**
- (21) Appl. No.: **29/704,690**
- (22) Filed: **Sep. 6, 2019**
- (51) **LOC (12) Cl.** **25-01**
- (52) **U.S. Cl.**
USPC **D25/124**
- (58) **Field of Classification Search**
USPC D25/35, 102, 119–125, 164; D8/354,
D8/373, 374, 376, 377
CPC E06B 1/02; E06B 1/04; E06B 1/12; E06B
1/14; E06B 1/16; E06B 1/26; E06B 1/28;
E06B 1/36; E06B 1/363; E06B 1/366;
E06B 1/38; E06B 1/40; E06B 1/52; E06B
1/524; E06B 1/56; E06B 1/62; E06B
1/68; E06B 3/30; E06B 3/301; E06B
3/305; E06B 3/306; E06B 3/308; E06B
3/04; E06B 3/06; E06B 3/24; E06B 3/26
See application file for complete search history.

- (56) **References Cited**
U.S. PATENT DOCUMENTS
D351,664 S * 10/1994 Cole D25/124
5,461,837 A * 10/1995 Chaney E06B 3/68
52/204.68
5,560,155 A * 10/1996 Back E06B 3/08
52/204.7
D376,212 S * 12/1996 DiGiorgio D25/124
D378,545 S * 3/1997 Dallaire D25/124

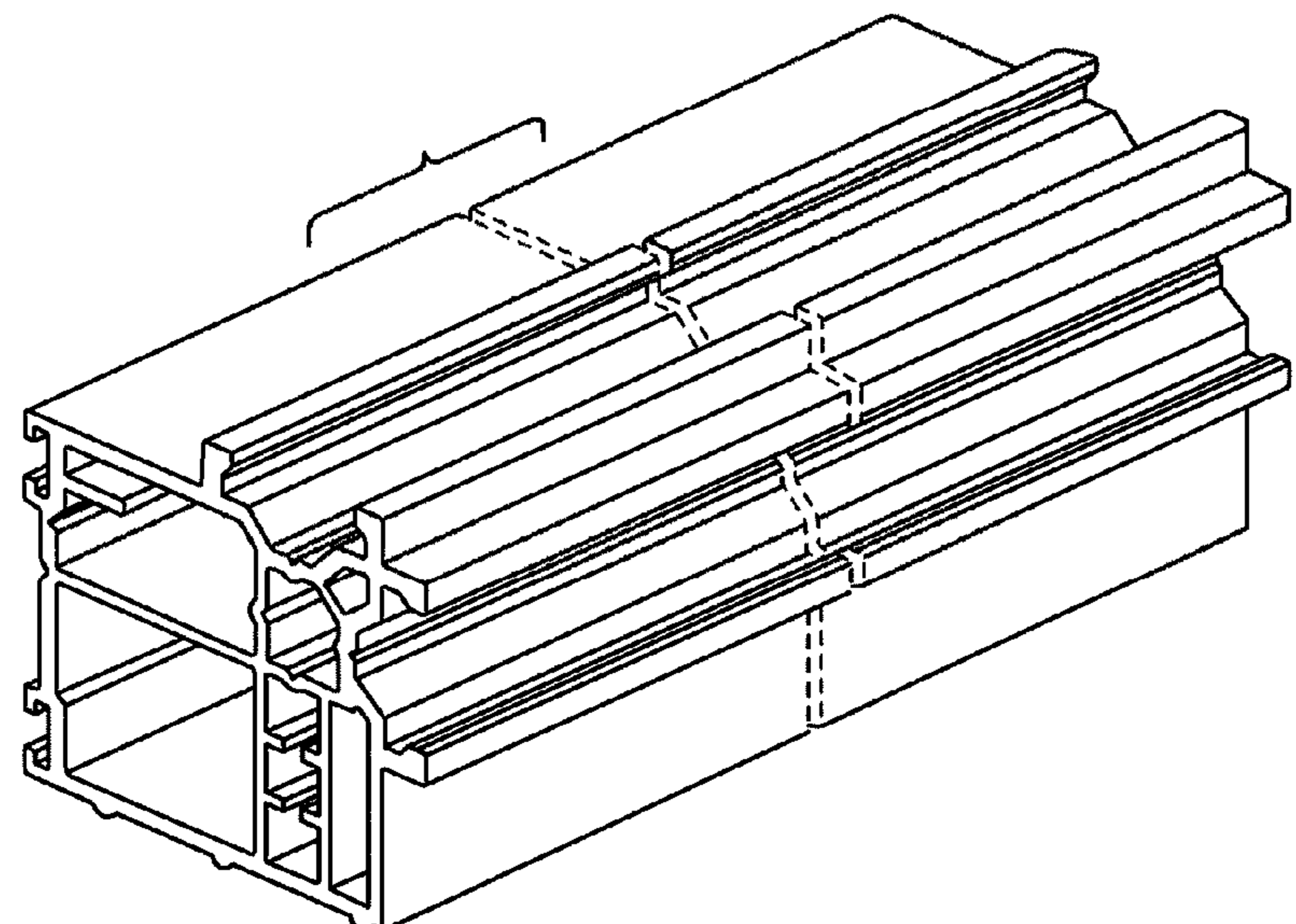
- D410,290 S * 5/1999 Gabriele D25/122
- D616,566 S * 5/2010 Desrosiers D25/122
- D692,591 S * 10/2013 Kosonen D25/124
- 8,863,452 B1 10/2014 Hay, III et al.
- D724,765 S * 3/2015 Fannan D25/124
- D724,767 S * 3/2015 Cloutier D25/125
- D724,768 S * 3/2015 Cloutier D25/125
- D725,797 S * 3/2015 Fannan D25/124
- D731,677 S * 6/2015 Bernier D25/125
- D734,503 S * 7/2015 Massingham D25/124
- D769,464 S * 10/2016 Fannan D25/124
- D795,463 S * 8/2017 Marshall D25/125
- D856,534 S 8/2019 Hay, III et al.
- D856,535 S 8/2019 Hay
- D856,536 S 8/2019 Hay, III et al.
- 2005/0050815 A1 * 3/2005 Engebretson E06B 1/345
52/204.52
- 2016/0333633 A1 * 11/2016 Carrick E06B 3/26

(Continued)
Primary Examiner — Llorellys Martinez
(74) *Attorney, Agent, or Firm* — Michael A. Mann;
Nexsen Pruet, LLC

(57) **CLAIM**
The ornamental design for a window frame lineal, as shown and described.

DESCRIPTION
FIG. 1 is a front perspective view of the window frame lineal, showing my design;
FIG. 2 is a front elevation view thereof, the rear elevation being a mirror image thereof;
FIG. 3 is a right side elevation view thereof;
FIG. 4 is a left side elevation view thereof;
FIG. 5 is a top view thereof; and,
FIG. 6 is a bottom view thereof.
The window frame connector lineal is shown with a symbolic break in its length. The appearance of any portion of the window frame connector lineal between the break lines forms no part of the claimed design.

1 Claim, 4 Drawing Sheets



(56)

References Cited

U.S. PATENT DOCUMENTS

2017/0268274 A1* 9/2017 Hoover E06B 3/26
2019/0211611 A1* 7/2019 Hay, III E06B 1/30
2020/0082240 A1* 3/2020 Heitmar E06B 1/30

* cited by examiner

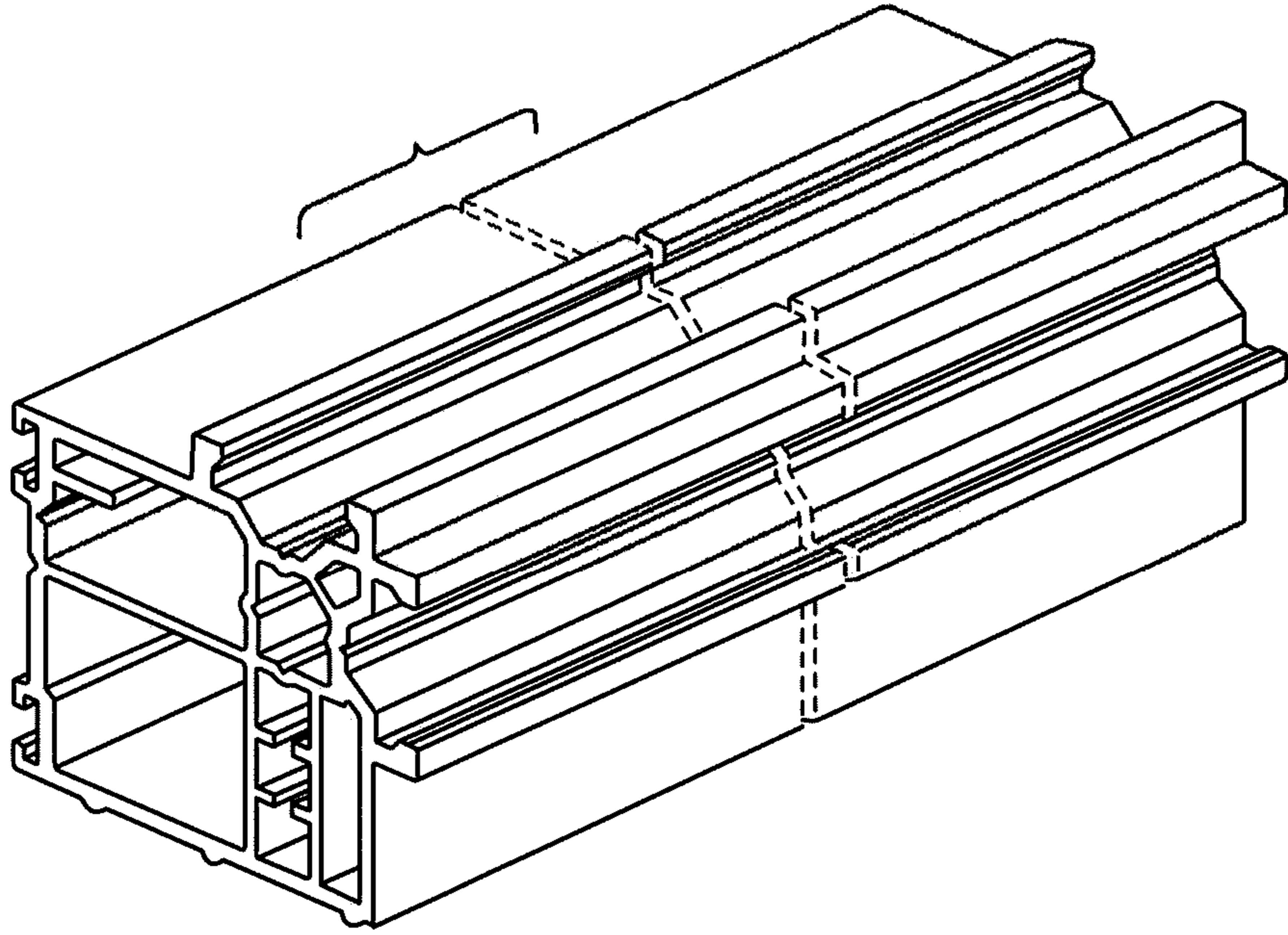


FIG. 1

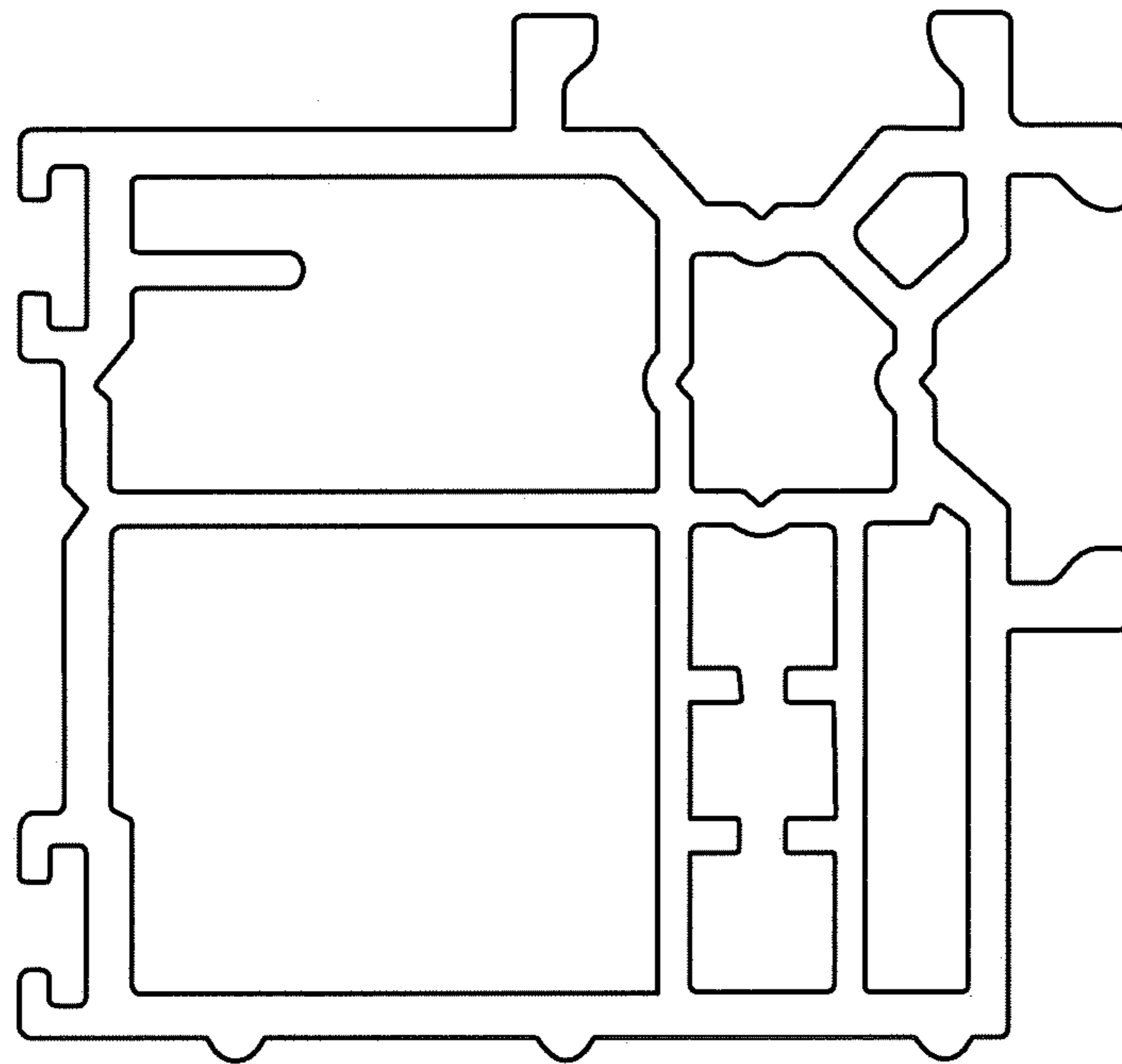


FIG. 2

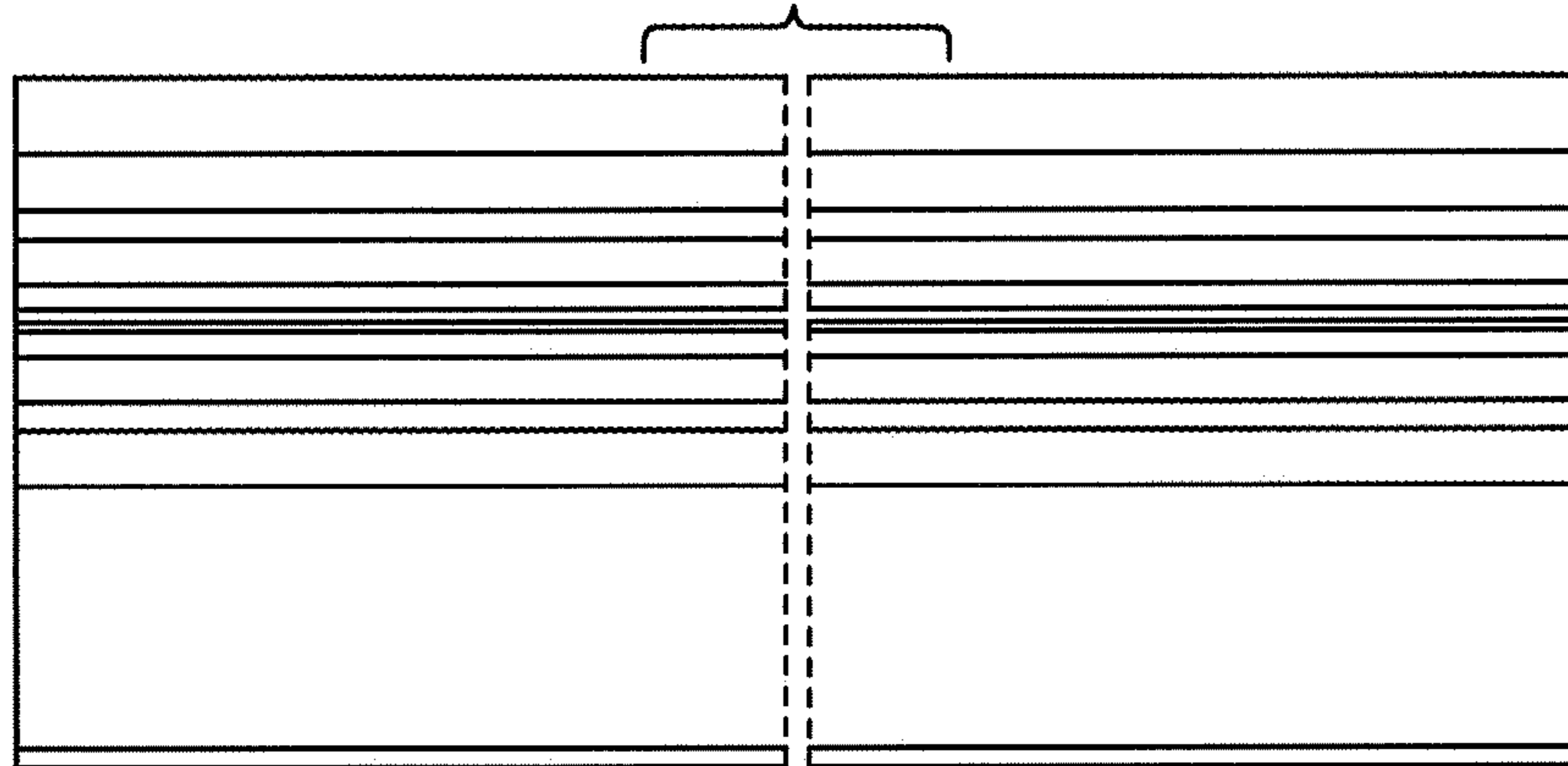


FIG. 3

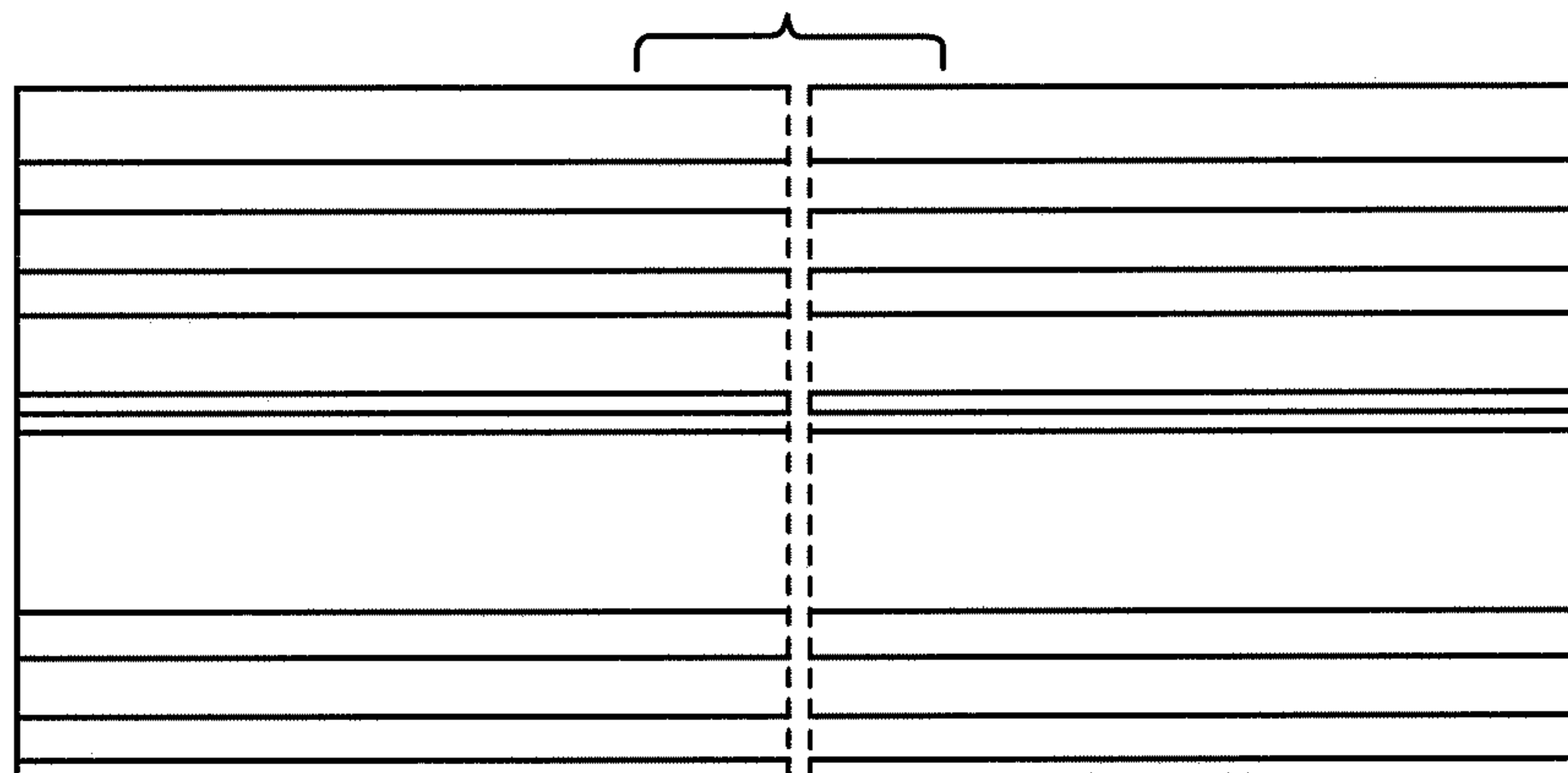


FIG. 4

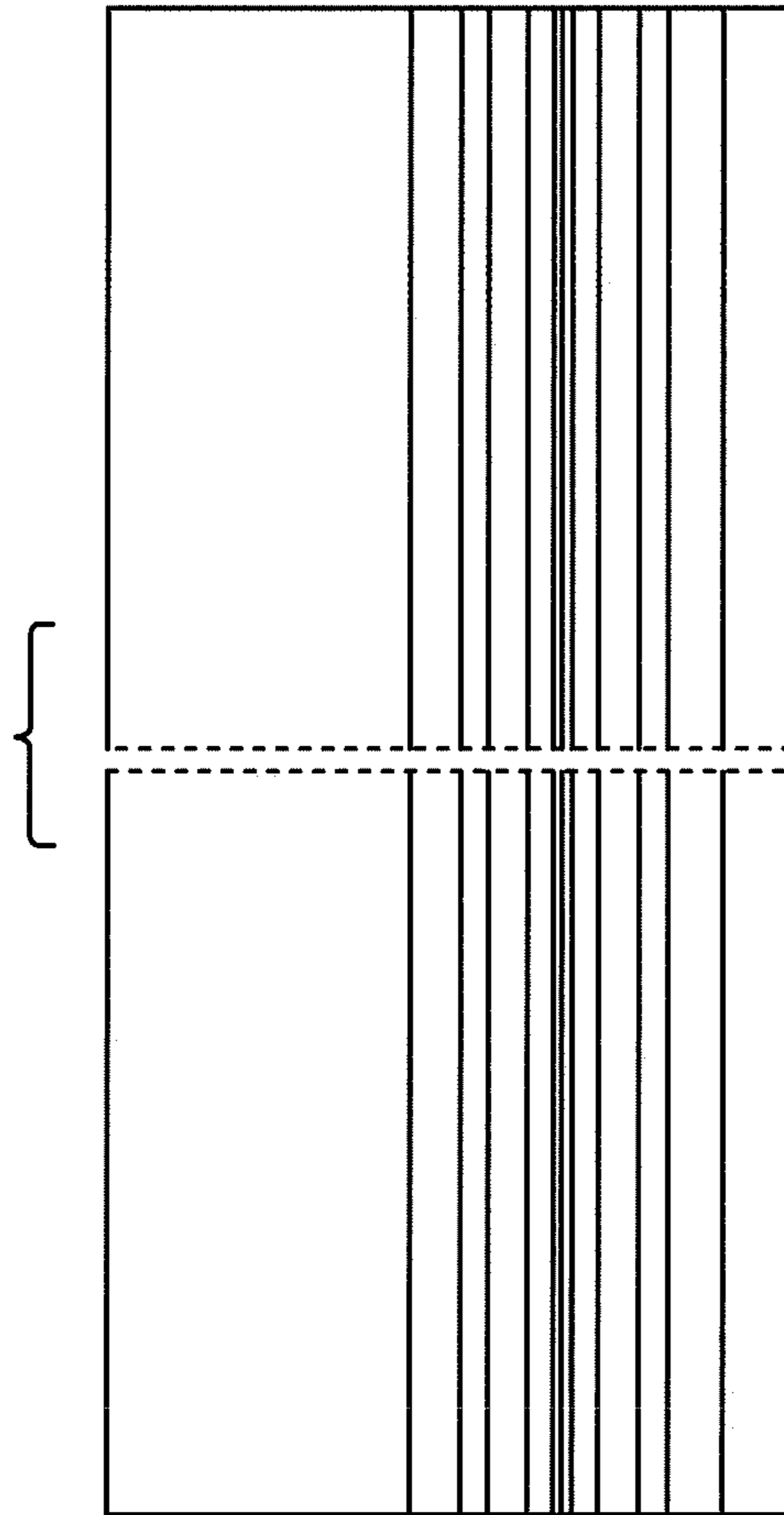


FIG. 5

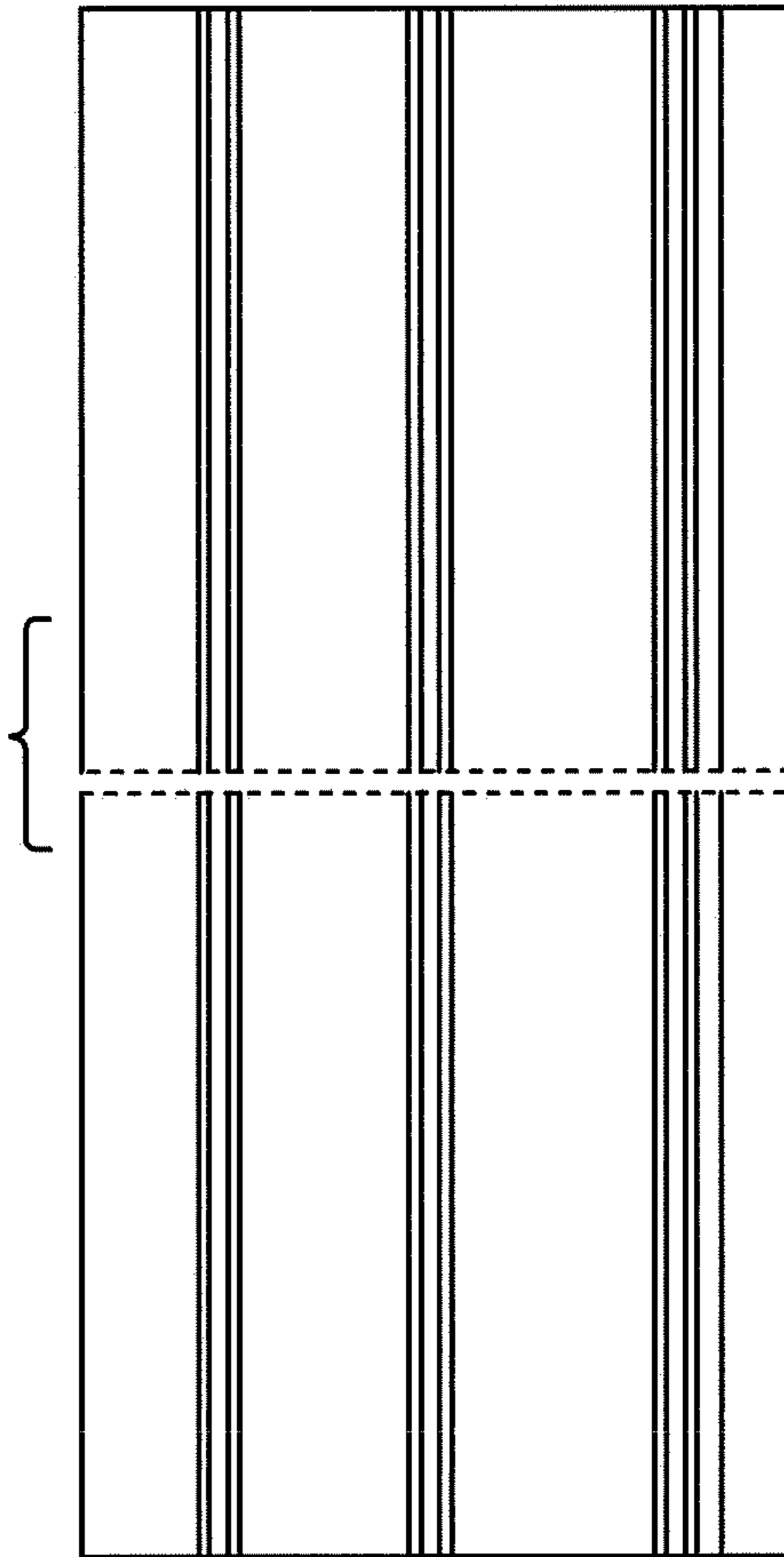


FIG. 6