



US00D905288S

(12) **United States Design Patent**  
**Hay, III**

(10) **Patent No.:** **US D905,288 S**

(45) **Date of Patent:** **\*\* Dec. 15, 2020**

(54) **COMBINED WINDOW FRAME AND SCREW BOSS**

(71) Applicant: **Hawkes Design and Consulting, LLC**,  
Charleston, SC (US)

(72) Inventor: **Henry M. Hay, III**, Charleston, SC  
(US)

(73) Assignee: **Hawkes Design and Consulting, LLC**,  
Charleston, SC (US)

(\*\*) Term: **15 Years**

(21) Appl. No.: **29/691,696**

(22) Filed: **May 17, 2019**

**Related U.S. Application Data**

(63) Continuation-in-part of application No. 29/632,461,  
filed on Jan. 8, 2018, now abandoned.

(51) **LOC (12) Cl.** ..... **25-01**

(52) **U.S. Cl.**  
USPC ..... **D25/124**

(58) **Field of Classification Search**  
USPC ..... D25/35, 102, 119–125, 164; D8/354,  
D8/373, 374, 376, 377  
CPC . E06B 3/30; E06B 3/301; E06B 3/306; E06B  
3/308; E06B 3/04; E06B 3/06; E06B  
3/24; E06B 3/26; E06B 1/02; E06B 1/04;  
E06B 1/12; E06B 1/14; E06B 1/16; E06B  
1/26; E06B 1/28; E06B 1/36; E06B  
1/363; E06B 1/366; E06B 1/38; E06B  
1/56; E06B 1/62; E06B 1/68; E06B 9/00  
See application file for complete search history.

(56) **References Cited**

**U.S. PATENT DOCUMENTS**

D374,091 S \* 9/1996 Hart ..... D25/124  
D380,561 S \* 7/1997 Colitto ..... D25/124

D384,754 S \* 10/1997 Goss ..... D25/124  
D391,649 S \* 3/1998 Opielski ..... D25/124  
D394,509 S \* 5/1998 Franson ..... D25/124  
D394,717 S \* 5/1998 Daoust ..... D25/124  
D419,696 S \* 1/2000 DiGiorgio ..... D25/125  
D429,532 S \* 8/2000 Siudzinski ..... D25/124  
D435,670 S \* 12/2000 Crish, II ..... D25/124  
D461,013 S \* 7/2002 Marshall ..... D25/124  
D487,935 S \* 3/2004 Habeck ..... D25/124  
D487,937 S \* 3/2004 Habeck ..... D25/124

(Continued)

*Primary Examiner* — Llorelys Martinez

(74) *Attorney, Agent, or Firm* — Michael A. Mann;  
Nexsen Pruet, LLC

(57) **CLAIM**

The ornamental design for a combined window frame and screw boss, as shown and described.

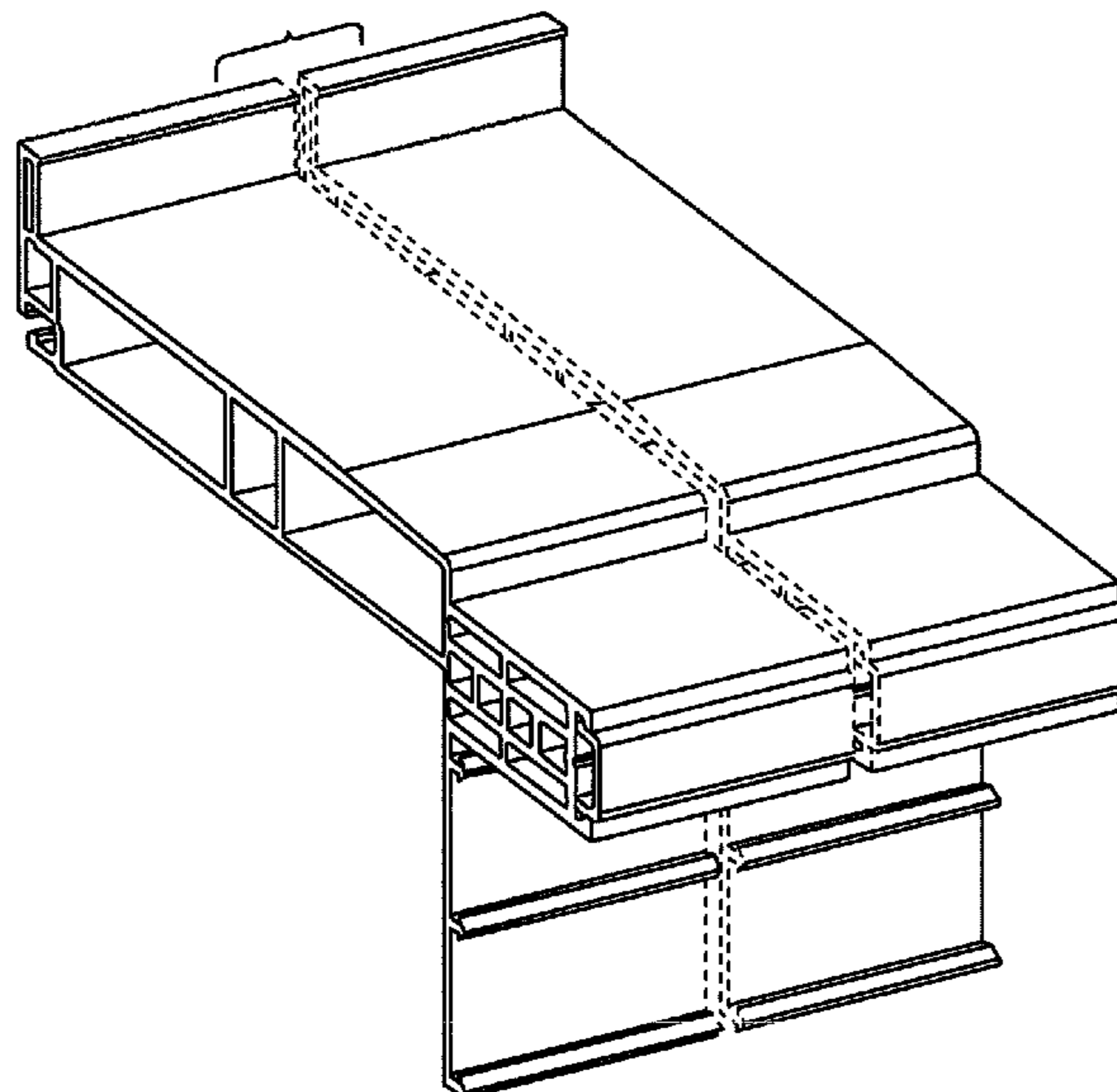
**DESCRIPTION**

Related application Ser. No. 29/691,680.  
FIG. 1 is an upper right end perspective view of a combined window frame and screw boss, showing my new design;  
FIG. 2 is a right end view thereof;  
FIG. 3 is left end view thereof;  
FIG. 4 is front view thereof, the back view being a mirror image thereof;  
FIG. 5 is a top view thereof; and,  
FIG. 6 is a bottom view thereof.

The surface shading in the figures is fragmentarily shown for convenience of illustration, it being understood that the shading pattern is uniformly continued over the surface on which it appears.

The combined window frame and screw boss is shown with a symbolic break in its length. The appearance of any portion of the combined window frame and screw boss between the break lines forms no part of the claimed design.

**1 Claim, 6 Drawing Sheets**



(56)

**References Cited**

## U.S. PATENT DOCUMENTS

D576,295	S *	9/2008	Morton	.....	D25/124
D584,427	S *	1/2009	Chaney	.....	D25/124
D591,435	S *	4/2009	Campbell	.....	D25/124
D592,763	S *	5/2009	Campbell	.....	D25/124
8,196,363	B2	6/2012	Hay et al.		
8,438,802	B1	5/2013	Hay et al.		
8,789,324	B2	7/2014	Hay et al.		
8,863,452	B1 *	10/2014	Hay, III	.....	E06B 9/02 49/463
D791,347	S *	7/2017	Rosende	.....	D25/119
D808,044	S *	1/2018	Rosende	.....	D25/124
D810,964	S *	2/2018	Rosende	.....	D25/124
D856,534	S *	8/2019	Hay, III	.....	D25/124
D856,535	S *	8/2019	Hay, III	.....	D25/124
D856,536	S *	8/2019	Hay, III	.....	D25/124
D872,893	S *	1/2020	Deng	.....	D25/124
D872,894	S *	1/2020	Hay, III	.....	D25/124
D872,895	S *	1/2020	Hay, III	.....	D25/124
D872,896	S *	1/2020	Hay, III	.....	D25/124
10,604,989	B2 *	3/2020	Hay, III	.....	E06B 1/30
D884,213	S *	5/2020	Hay, III	.....	D25/48.2
10,641,035	B1 *	5/2020	Weber	.....	E06B 3/30
2009/0241421	A1	10/2009	Hay, III et al.		
2014/0199512	A1 *	7/2014	Abramson	.....	E06B 7/22 428/95
2014/0326126	A1	11/2014	Hay, III et al.		
2017/0058593	A1 *	3/2017	Albrecht	.....	E06B 1/02
2019/0211611	A1 *	7/2019	Hay, III	.....	E06B 3/308
2019/0211620	A1 *	7/2019	Hay, III	.....	E06B 9/02
2019/0264498	A1 *	8/2019	Hay, III	.....	E06B 9/02
2020/0240199	A1 *	7/2020	Albrecht	.....	E06B 1/36

\* cited by examiner

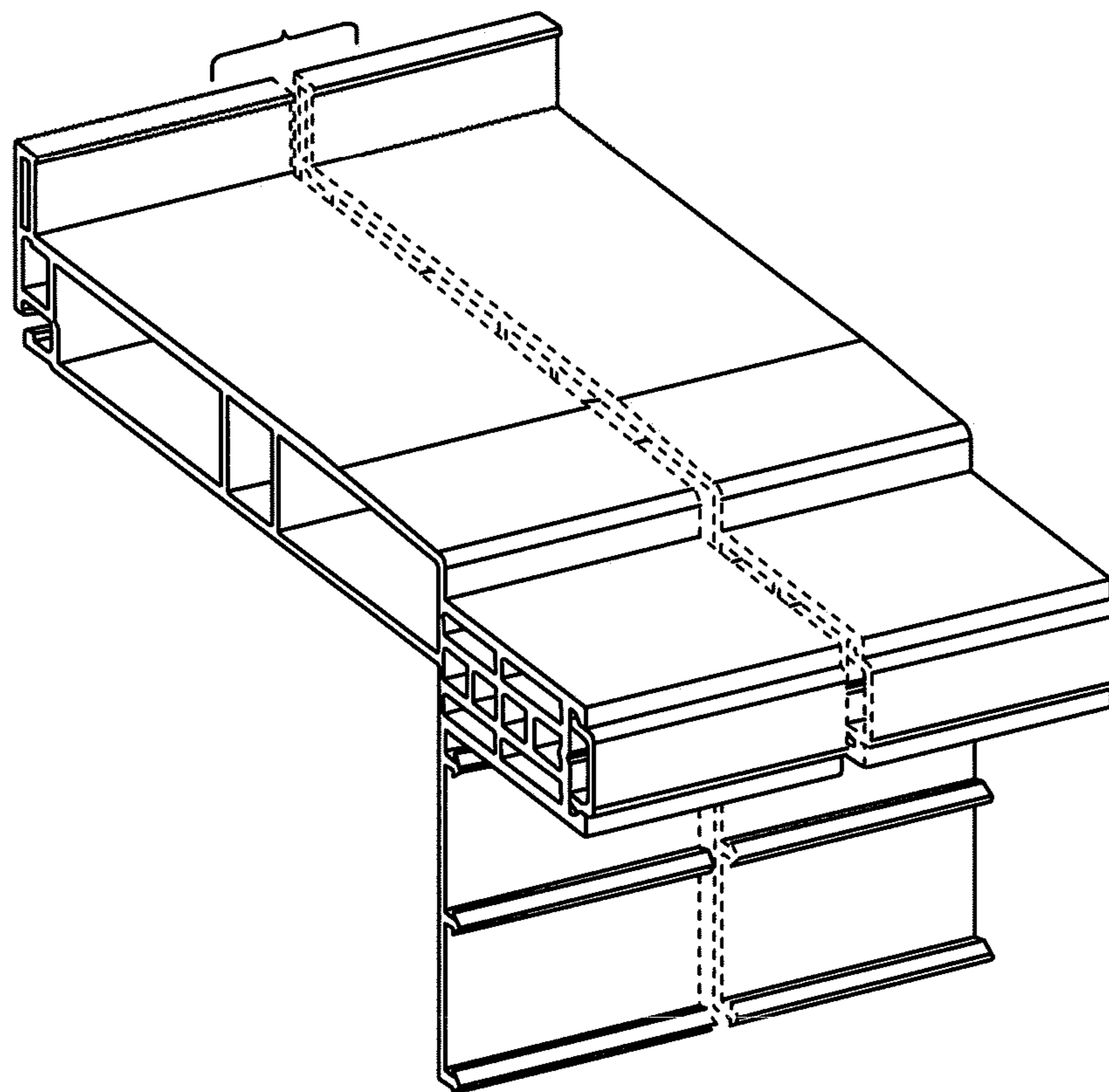


FIG. 1

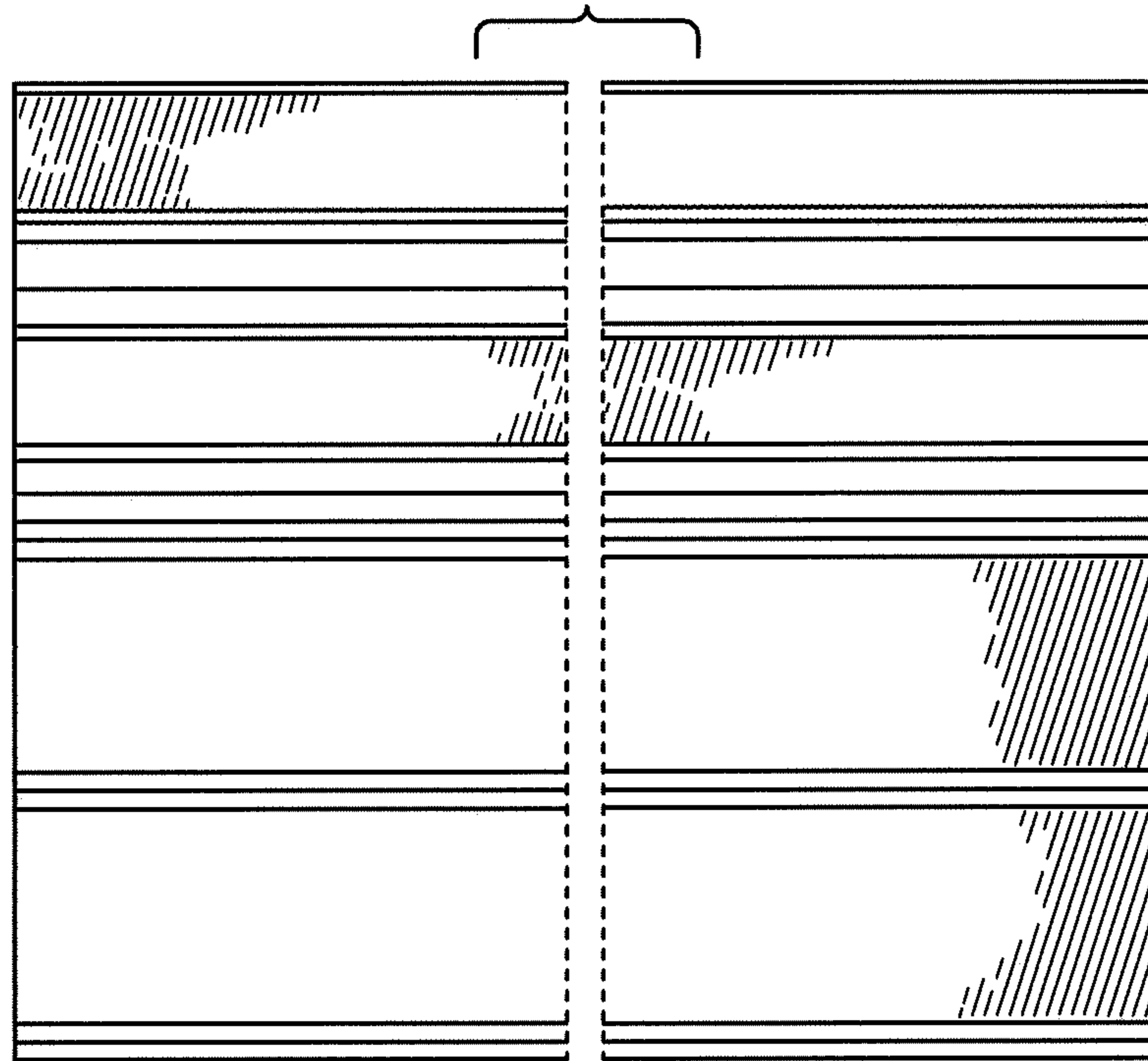


FIG. 2

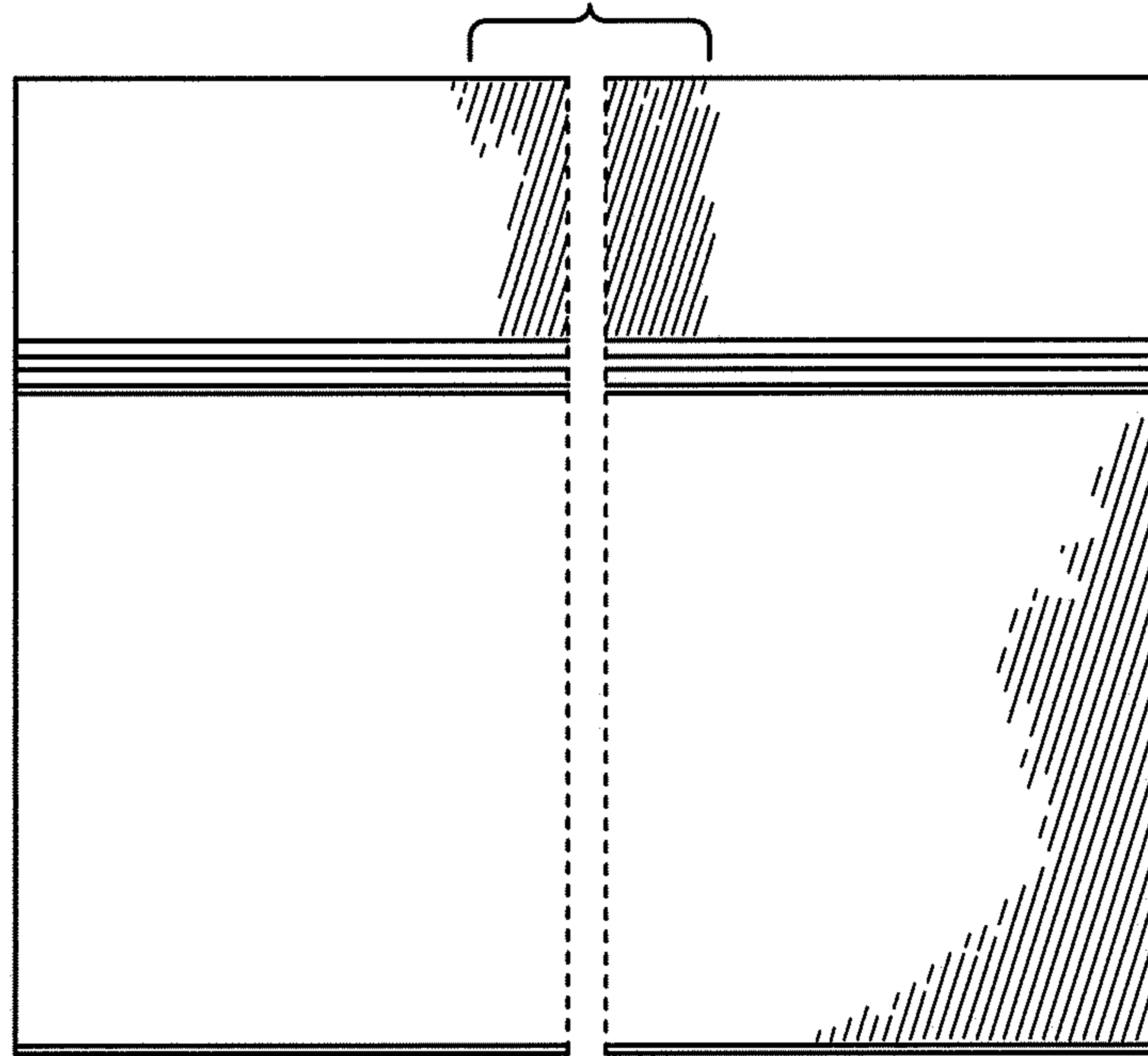


FIG. 3

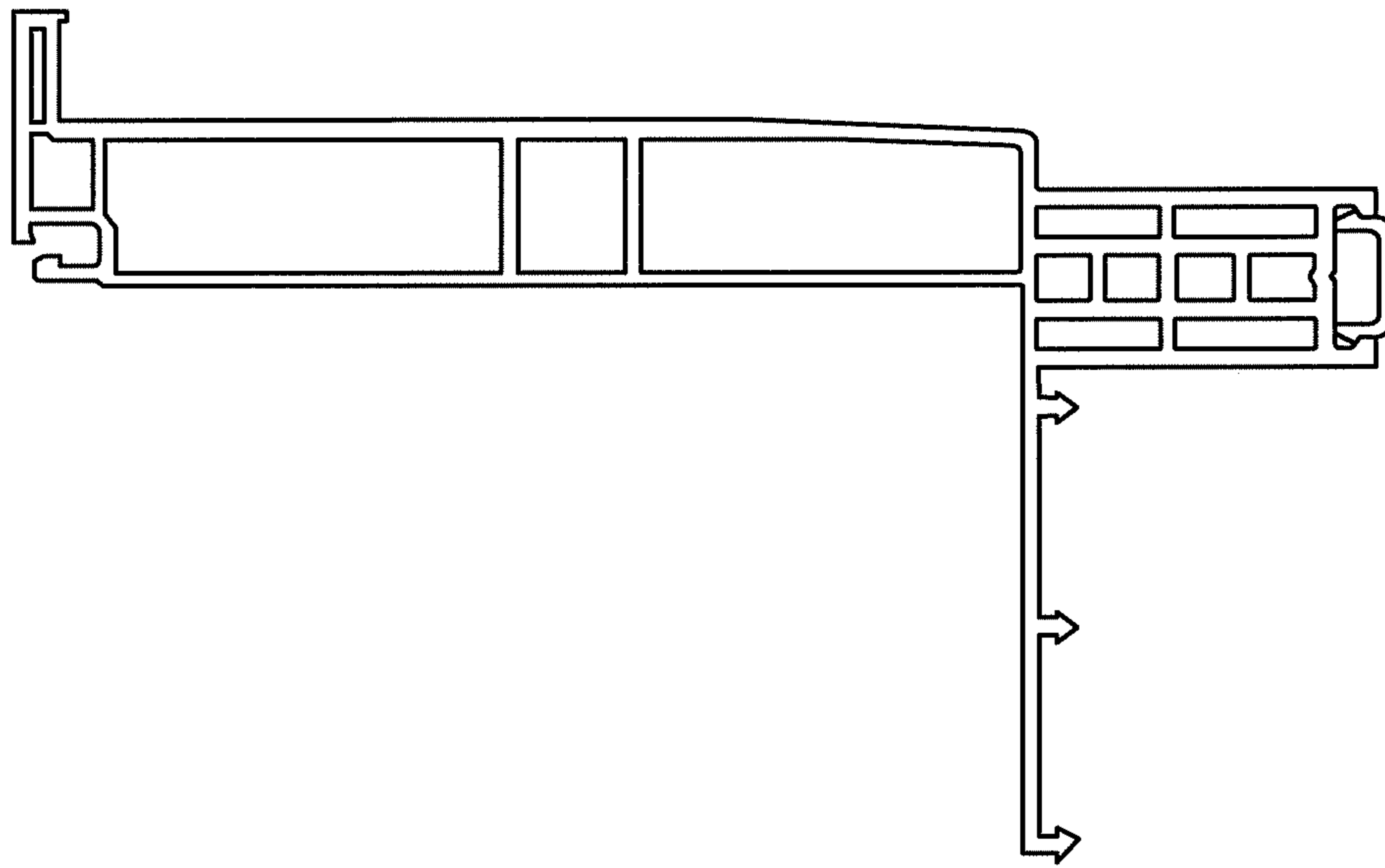


FIG. 4

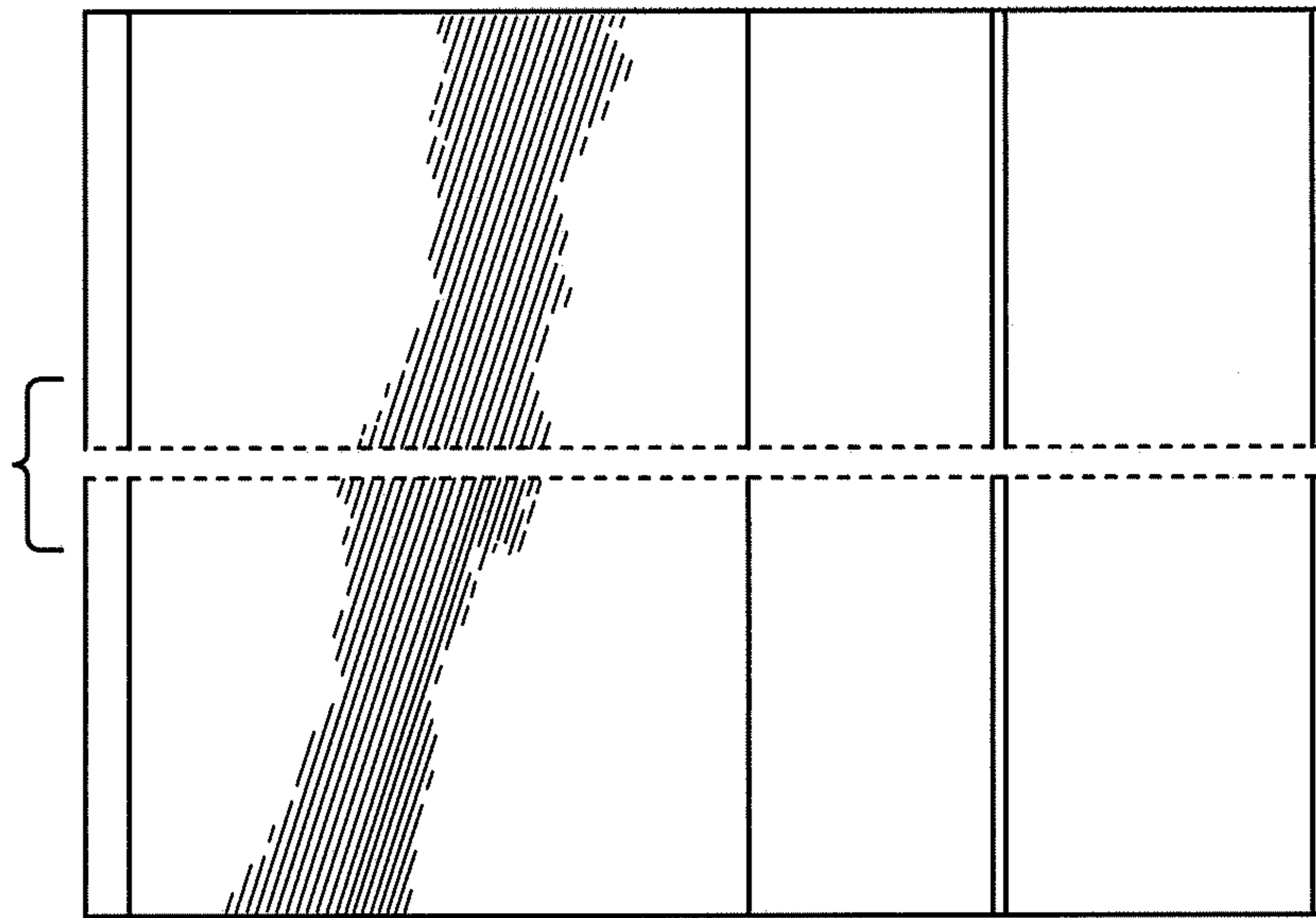


FIG. 5

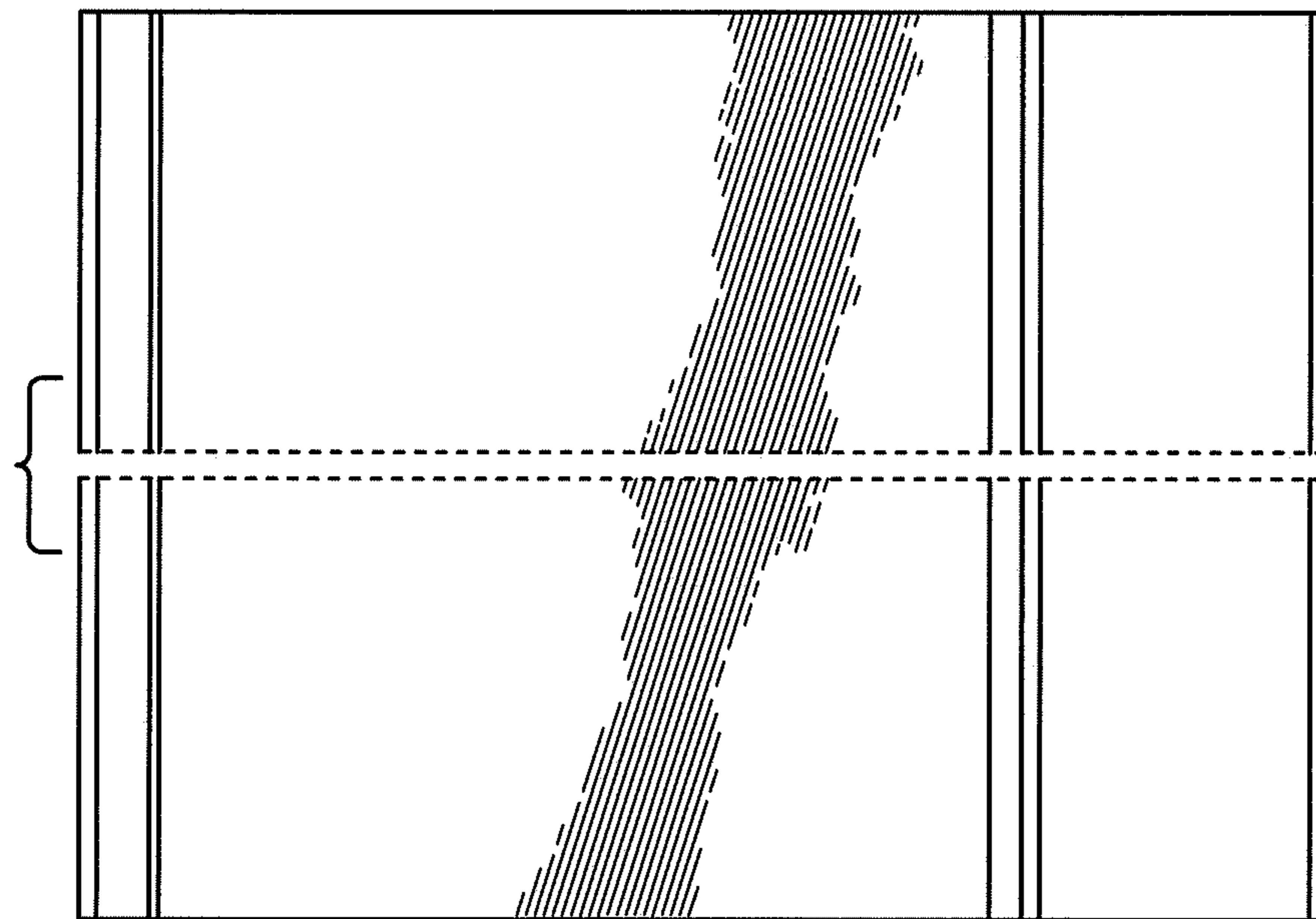


FIG. 6