



US00D905287S

(12) **United States Design Patent**
Hay, III

(10) **Patent No.:** **US D905,287 S**

(45) **Date of Patent:** **** Dec. 15, 2020**

(54) **COMBINED WINDOW FRAME LINEAL AND SCREW BOSS**

(71) Applicant: **Hawkes Design and Consulting, LLC**,
Charleston, SC (US)

(72) Inventor: **Henry M. Hay, III**, Charleston, TX
(US)

(73) Assignee: **Hawkes Design and Consulting, LLC**,
Charleston, SC (US)

(**) Term: **15 Years**

(21) Appl. No.: **29/691,680**

(22) Filed: **May 17, 2019**

Related U.S. Application Data

(63) Continuation-in-part of application No. 29/631,724,
filed on Jan. 2, 2018, now abandoned.

(51) **LOC (12) Cl.** **25-01**

(52) **U.S. Cl.**
USPC **D25/124**

(58) **Field of Classification Search**
USPC D25/35, 102, 119-125, 164; D8/354,
D8/373, 374, 376, 377
CPC . E06B 3/30; E06B 3/301; E06B 3/306; E06B
3/308; E06B 3/04; E06B 3/06; E06B
3/24; E06B 3/26; E06B 9/00; E06B 1/02;
E06B 1/04; E06B 1/12; E06B 1/14; E06B
1/16; E06B 1/26; E06B 1/28; E06B 1/36;
E06B 1/363; E06B 1/366; E06B 1/38;
E06B 1/56; E06B 1/62; E06B 1/68
See application file for complete search history.

(56) **References Cited**

U.S. PATENT DOCUMENTS

D374,091 S * 9/1996 Hart D25/124
D380,561 S * 7/1997 Colitto D25/124

D384,754 S * 10/1997 Goss D25/124
D394,509 S * 5/1998 Franson D25/124
D419,696 S * 1/2000 DiGiorgio D25/125
D429,532 S * 8/2000 Siudzinski D25/124
D435,670 S * 12/2000 Crish, II D25/124
D461,013 S * 7/2002 Marshall D25/124
D487,935 S * 3/2004 Habeck D25/124
D487,937 S * 3/2004 Habeck D25/124
D576,295 S * 9/2008 Morton D25/124
D584,427 S * 1/2009 Chaney D25/124

(Continued)

Primary Examiner — Llorelys Martinez

(74) *Attorney, Agent, or Firm* — Michael A. Mann;
Nexsen Pruet, LLC

(57) **CLAIM**

The ornamental design for a combined window frame lineal and screw boss, as shown and described.

DESCRIPTION

Related to application Ser. No. 29/691,696, filed concurrently.

FIG. 1 is a perspective view of a combined window frame lineal and screw boss, showing my new design;

FIG. 2 is a right end view thereof;

FIG. 3 is a top view thereof;

FIG. 4 is a front view thereof, the opposing rear view being a mirror image thereof;

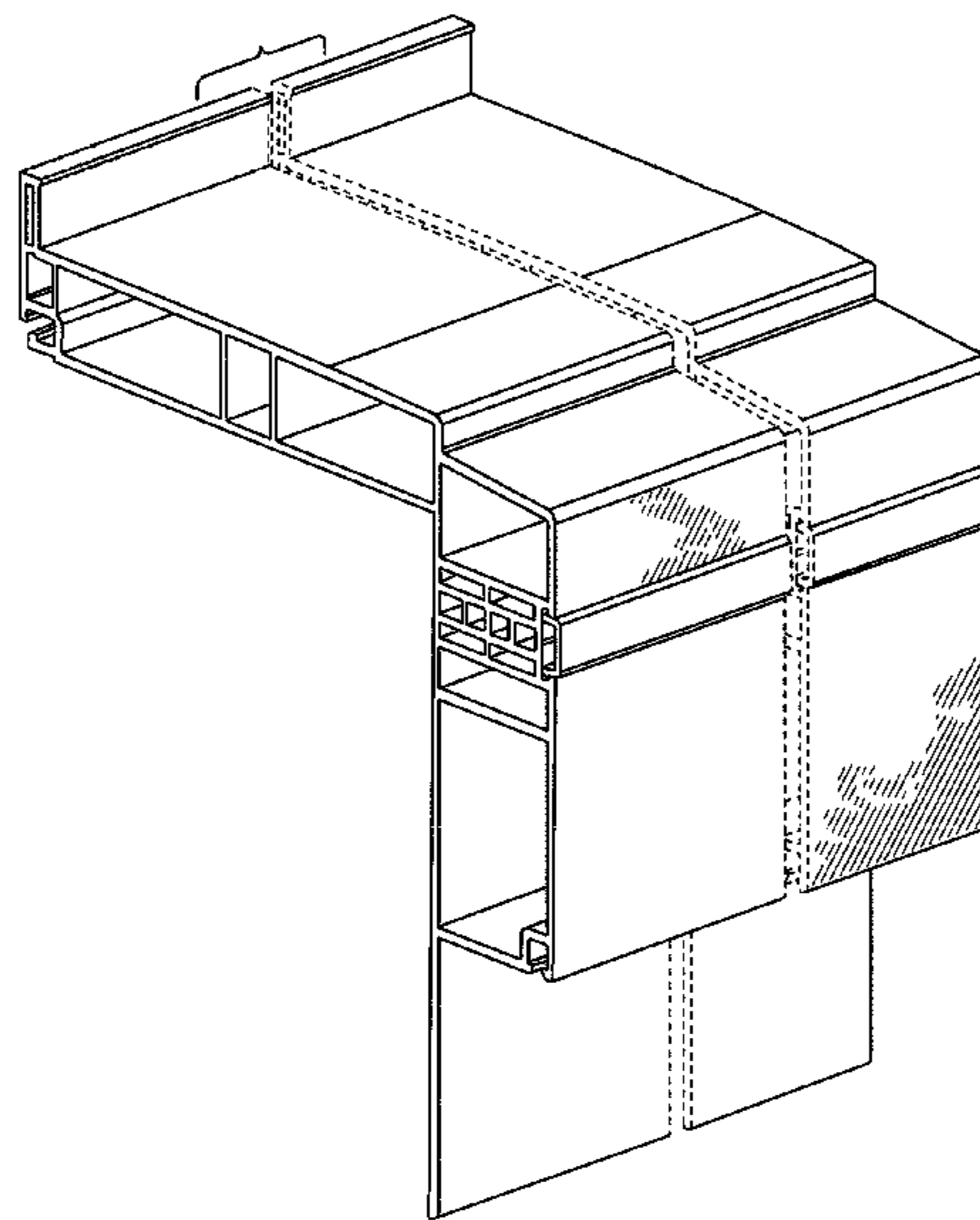
FIG. 5 is a top view thereof; and,

FIG. 6 is a bottom view thereof.

The surface shading in the figures is fragmentarily shown for convenience of illustration, it being understood that the shading pattern is uniformly continued over the surface on which it appears.

The combined window frame and screw boss is show with a symbolic break in its length. The appearance of any portion of the combined window frame lineal and screw boss between the break lines forms no part of the claimed design.

1 Claim, 6 Drawing Sheets



(56)

References Cited

U.S. PATENT DOCUMENTS

D591,435	S *	4/2009	Campbell	D25/124
D592,763	S *	5/2009	Campbell	D25/124
8,196,363	B2	6/2012	Hay et al.		
8,438,802	B1	5/2013	Hay et al.		
8,789,324	B2	7/2014	Hay et al.		
8,863,452	B1 *	10/2014	Hay, III	E06B 9/02 49/463
D791,347	S *	7/2017	Rosende	D25/119
D808,044	S *	1/2018	Rosende	D25/124
D810,964	S *	2/2018	Rosende	D25/124
D856,534	S *	8/2019	Hay, III	D25/124
D856,535	S *	8/2019	Hay, III	D25/124
D856,536	S *	8/2019	Hay, III	D25/124
D872,893	S *	1/2020	Deng	D25/124
D872,894	S *	1/2020	Hay, III	D25/124
D872,895	S *	1/2020	Hay, III	D25/124
D872,896	S *	1/2020	Hay, III	D25/124
10,604,989	B2 *	3/2020	Hay, III	E06B 1/30
D884,213	S *	5/2020	Hay, III	D25/48.2
10,641,035	B1 *	5/2020	Weber	E06B 3/30
2009/0241421	A1	10/2009	Hay, III et al.		
2014/0199512	A1 *	7/2014	Abramson	E06B 7/22 428/95
2014/0326126	A1	11/2014	Hay, III et al.		
2017/0058593	A1 *	3/2017	Albrecht	E06B 1/02
2019/0211611	A1 *	7/2019	Hay, III	E06B 1/30
2019/0211620	A1 *	7/2019	Hay, III	E06B 9/02

* cited by examiner

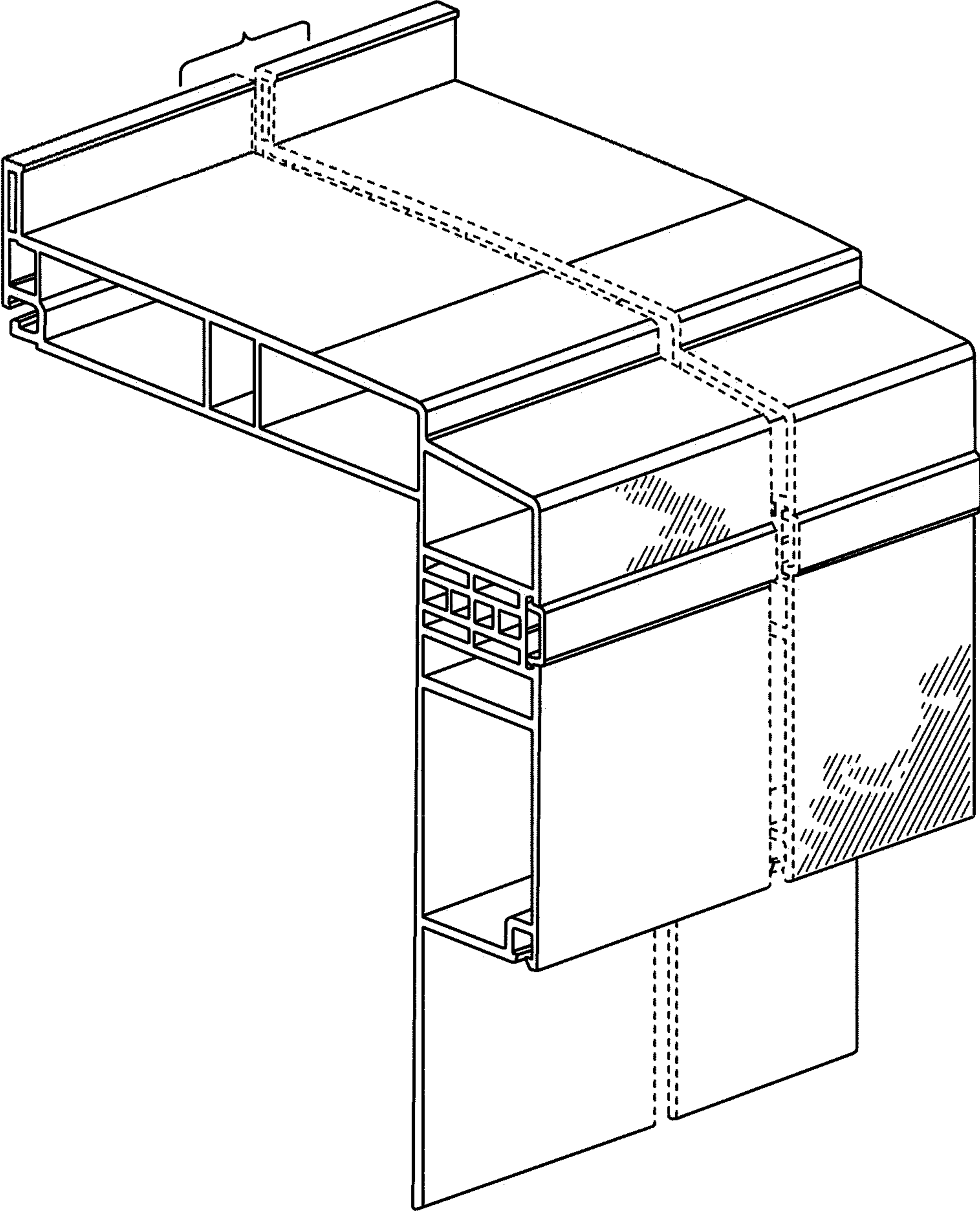


FIG. 1

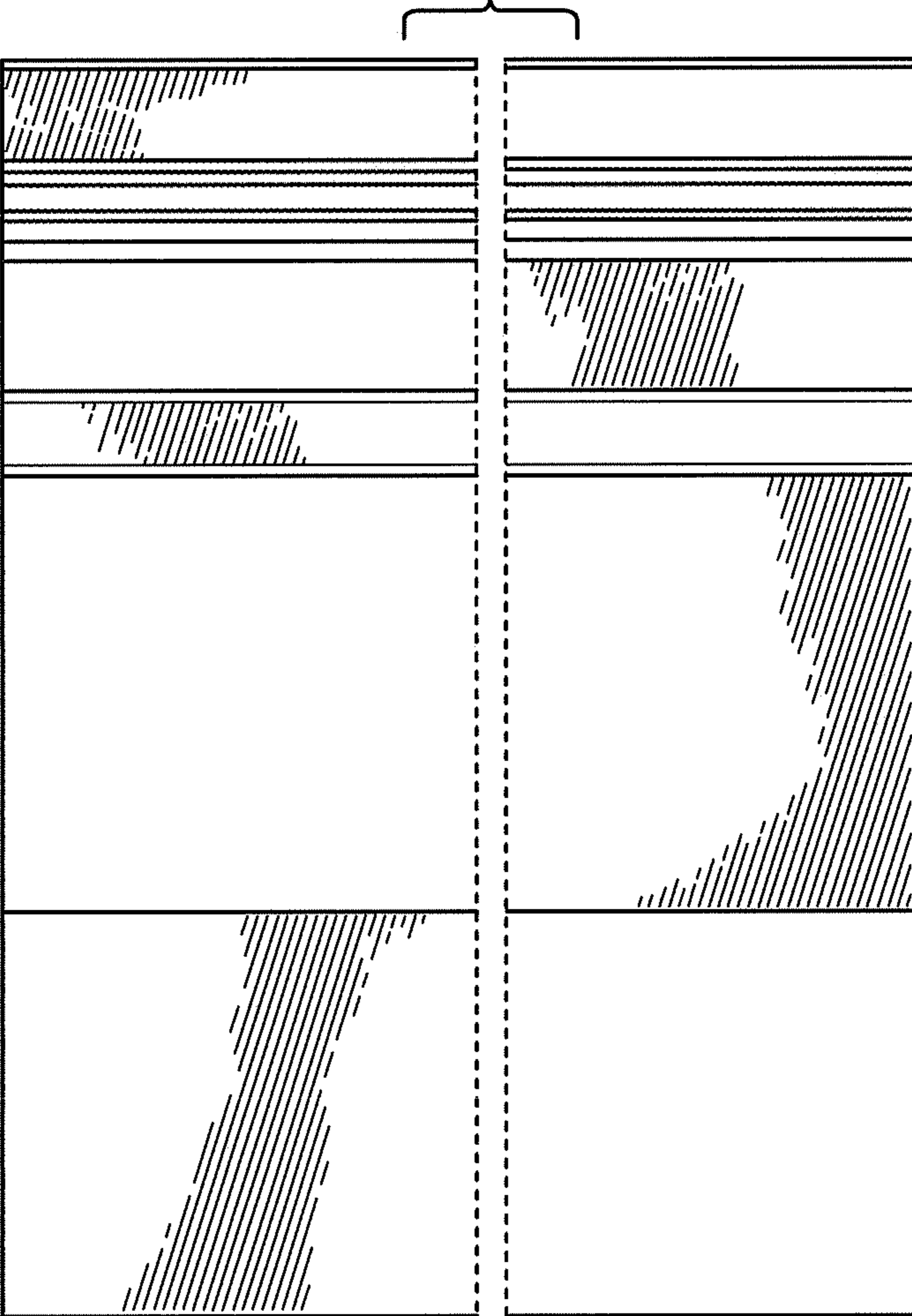


FIG. 2

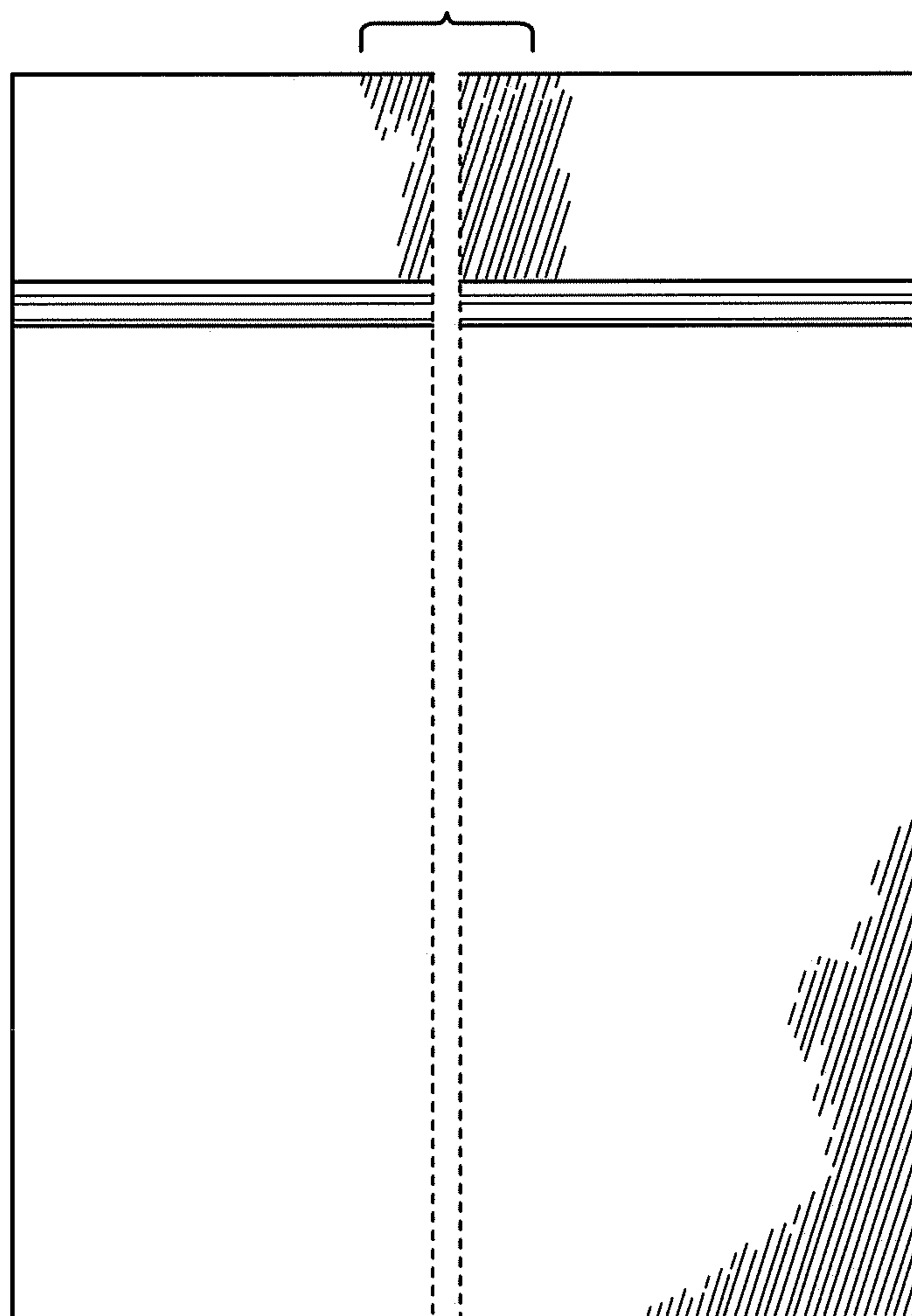


FIG. 3

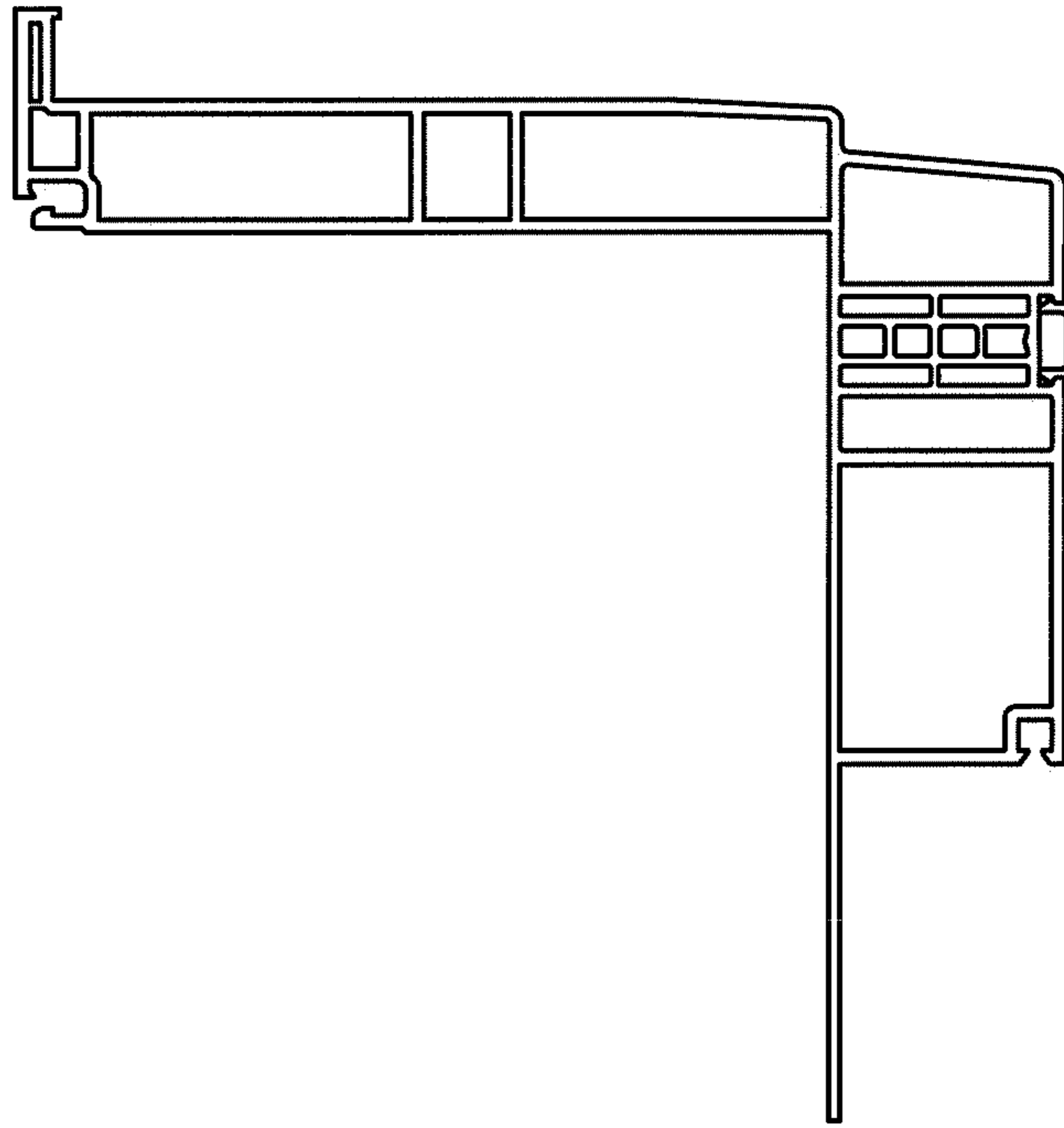


FIG. 4

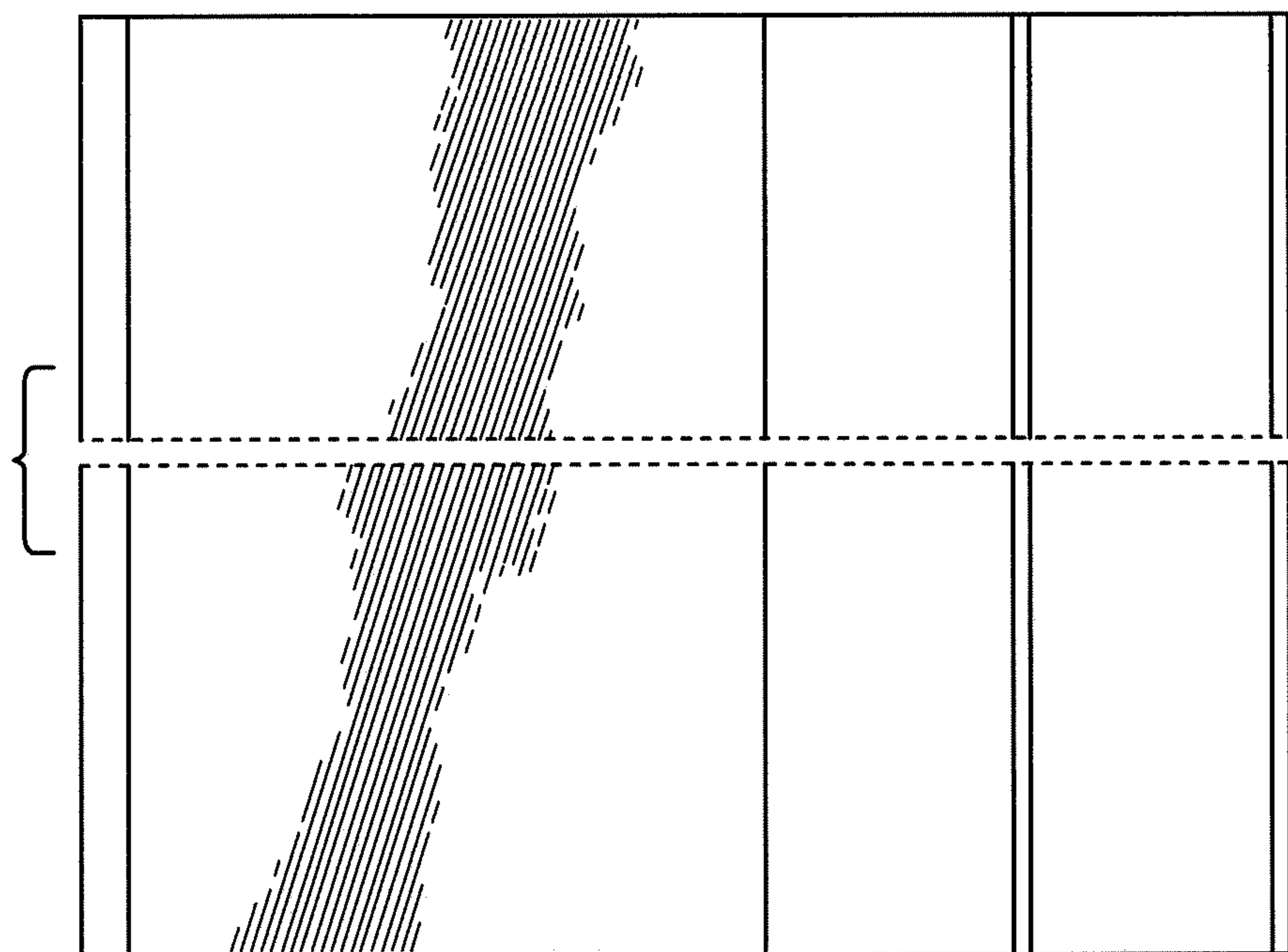


FIG. 5

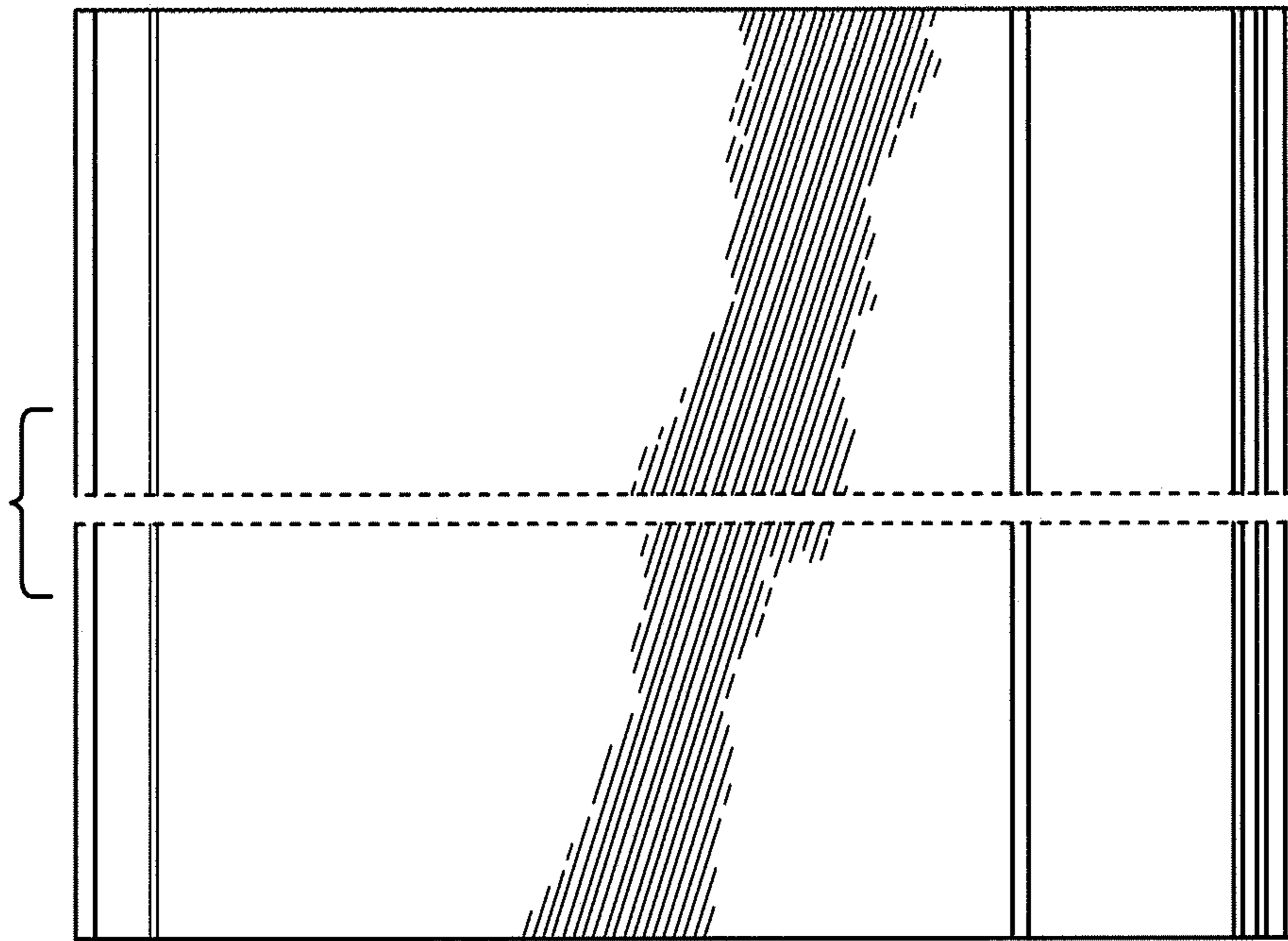


FIG. 6