



US00D905286S

(12) **United States Design Patent** (10) **Patent No.:** **US D905,286 S**
Hay, III (45) **Date of Patent:** **** Dec. 15, 2020**

(54) **WINDOW FRAME CONNECTOR LINEAL**

(71) Applicant: **Hawkes Design and Consulting, LLC**,
Charleston, SC (US)

(72) Inventor: **Henry M. Hay, III**, Charleston, TX
(US)

(73) Assignee: **Hawkes Design and Consulting, LLC**,
Charleston, SC (US)

(**) Term: **15 Years**

(21) Appl. No.: **29/704,683**

(22) Filed: **Sep. 6, 2019**

(51) **LOC (12) Cl.** **25-01**

(52) **U.S. Cl.**
USPC **D25/123; D8/382**

(58) **Field of Classification Search**
USPC D25/35, 61, 102, 119–125; D8/354,
D8/373–377, 382, 394
CPC E06B 1/003; E06B 1/006; E06B 1/6069;
E06B 1/56; E06B 1/62; E06B 1/68; E06B
3/04; E06B 3/06; E06B 3/24; E06B 3/26;
F16B 7/04; F16B 7/0406; F16B 7/0433;
E04C 2003/023; E04C 2003/026; E04C
3/04

See application file for complete search history.

(56) **References Cited**

U.S. PATENT DOCUMENTS

D322,486 S * 12/1991 Westphal D25/122
D424,215 S * 5/2000 Eyring D25/122
D487,936 S * 3/2004 Habeck D25/124
D498,003 S * 11/2004 Brabeck D25/119

D498,004 S * 11/2004 Smith D25/125
D529,197 S * 9/2006 Folliard D25/119
D649,265 S * 11/2011 Brabeck D25/125
D669,601 S * 10/2012 Schoonover D25/125
8,863,452 B1 10/2014 Hay et al.
D751,734 S * 3/2016 Allen D25/125
D828,581 S * 9/2018 Reynolds D25/61
D856,534 S 8/2019 Hay, III
D856,535 S 8/2019 Hay, III
D856,536 S 8/2019 Hay, III
2012/0073771 A1* 3/2012 Dickison E06B 9/52
160/395
2020/0040640 A1* 2/2020 Fumagalli E06B 1/30

* cited by examiner

Primary Examiner — Llorelys Martinez

(74) *Attorney, Agent, or Firm* — Michael A. Mann;
Nexsen Pruet, LLC

(57) **CLAIM**

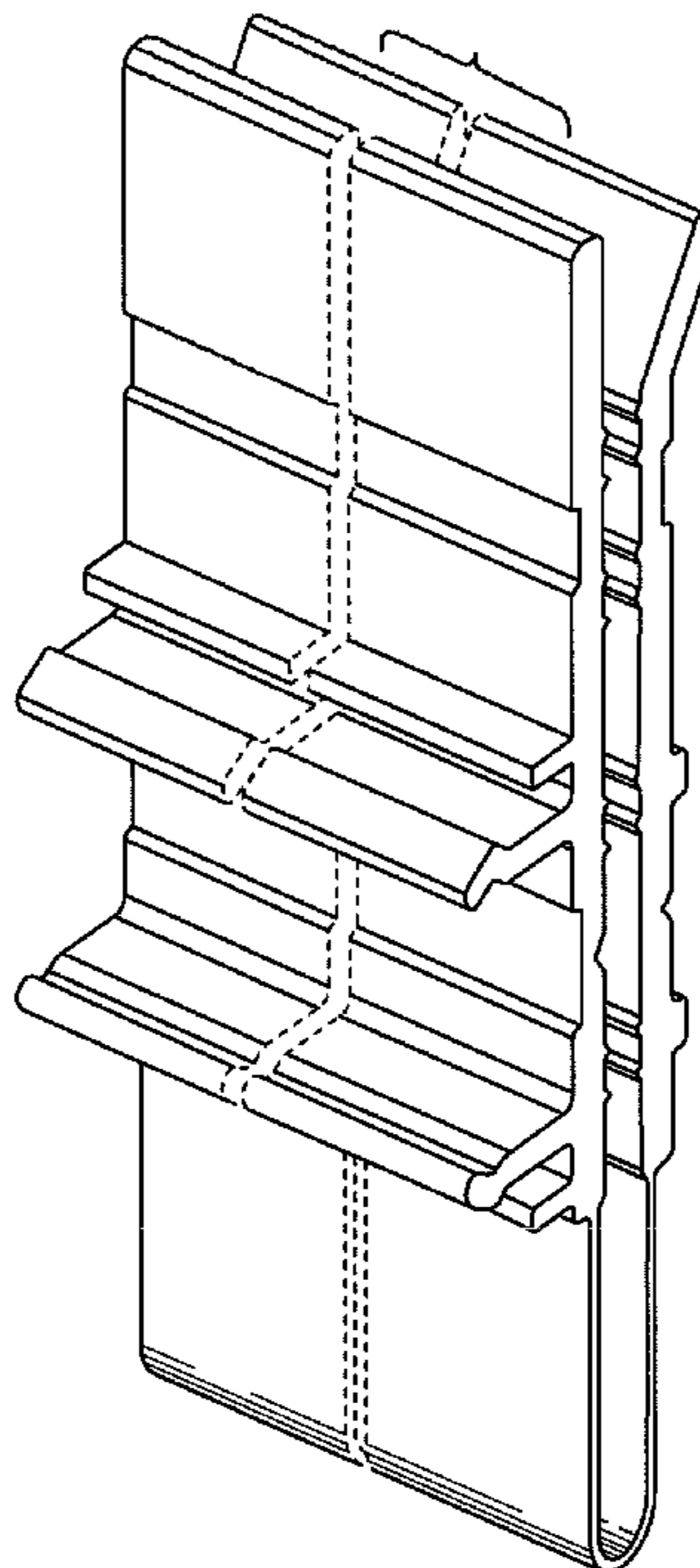
The ornamental design for a window frame connector lineal,
as shown and described.

DESCRIPTION

FIG. 1 is a front perspective view of the window frame
connector lineal, showing my design;
FIG. 2 is a front elevation view thereof;
FIG. 3 is a top view thereof;
FIG. 4 is a bottom view thereof;
FIG. 5 is a right side elevation view thereof; and,
FIG. 6 is a left side elevation view thereof.

The window frame connector lineal is shown with a sym-
bolic break in its length. The appearance of any portion of
the window frame connector lineal between the break lines
forms no part of the claimed design.

1 Claim, 3 Drawing Sheets



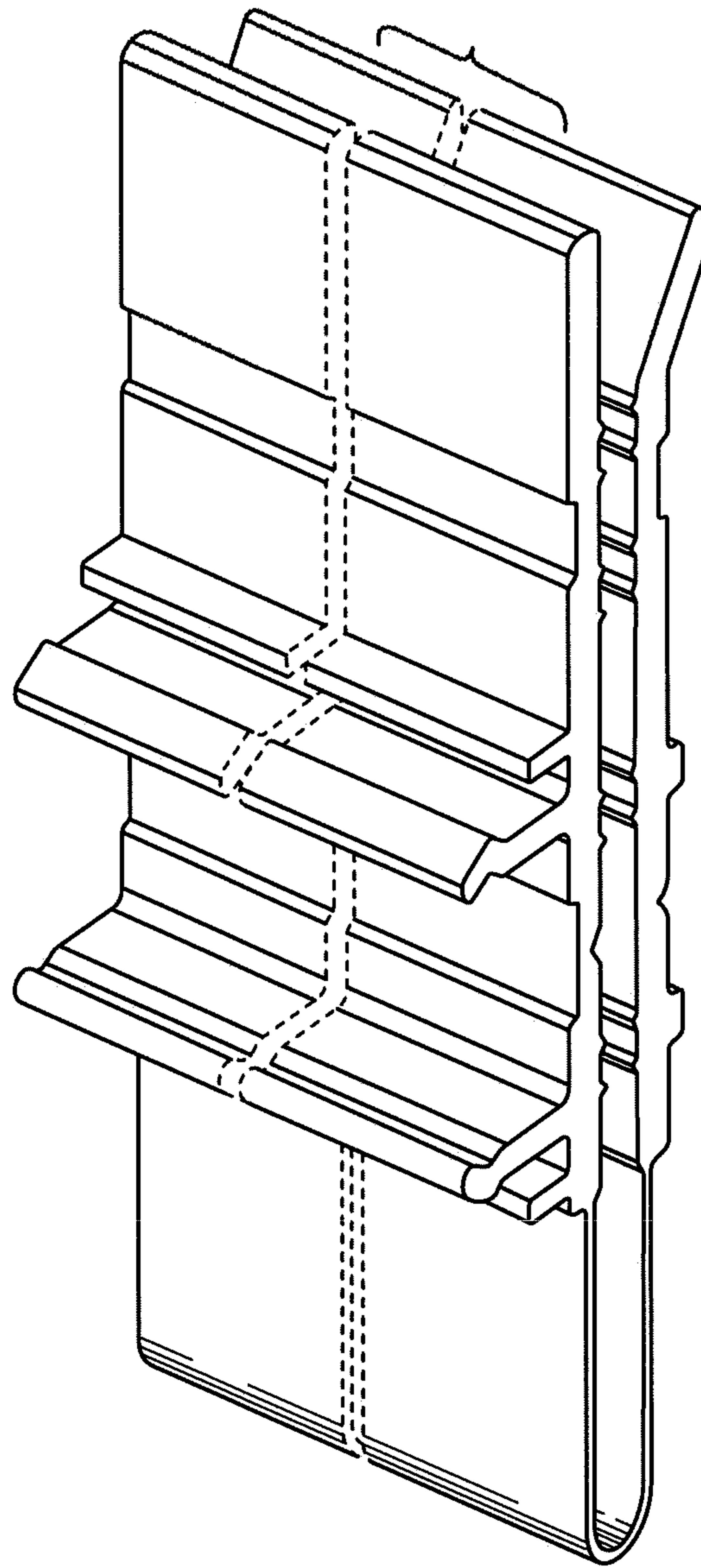


FIG. 1

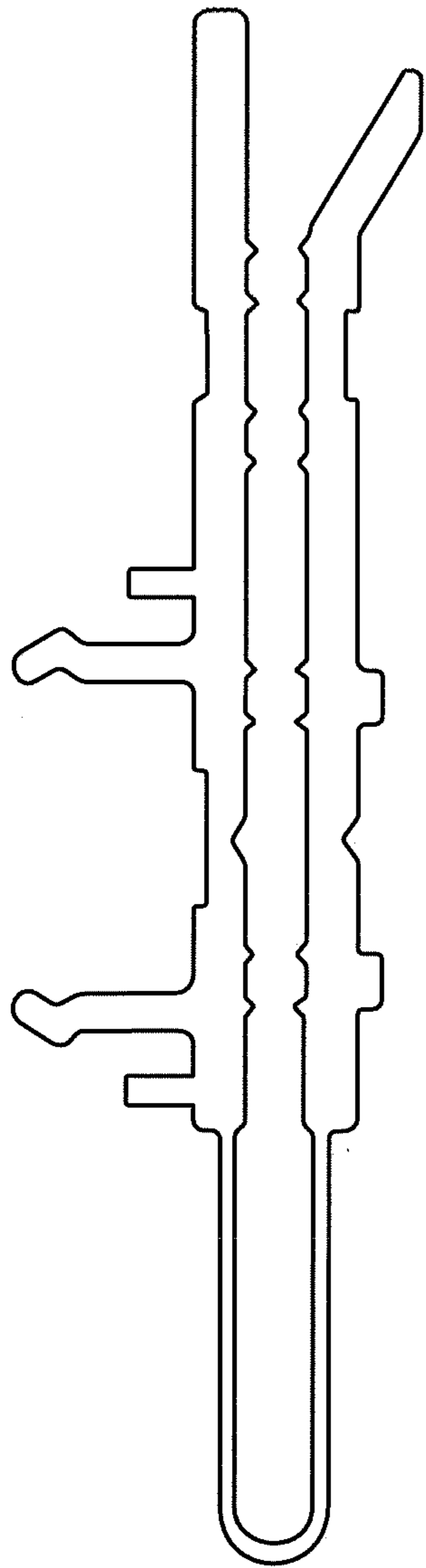


FIG. 2

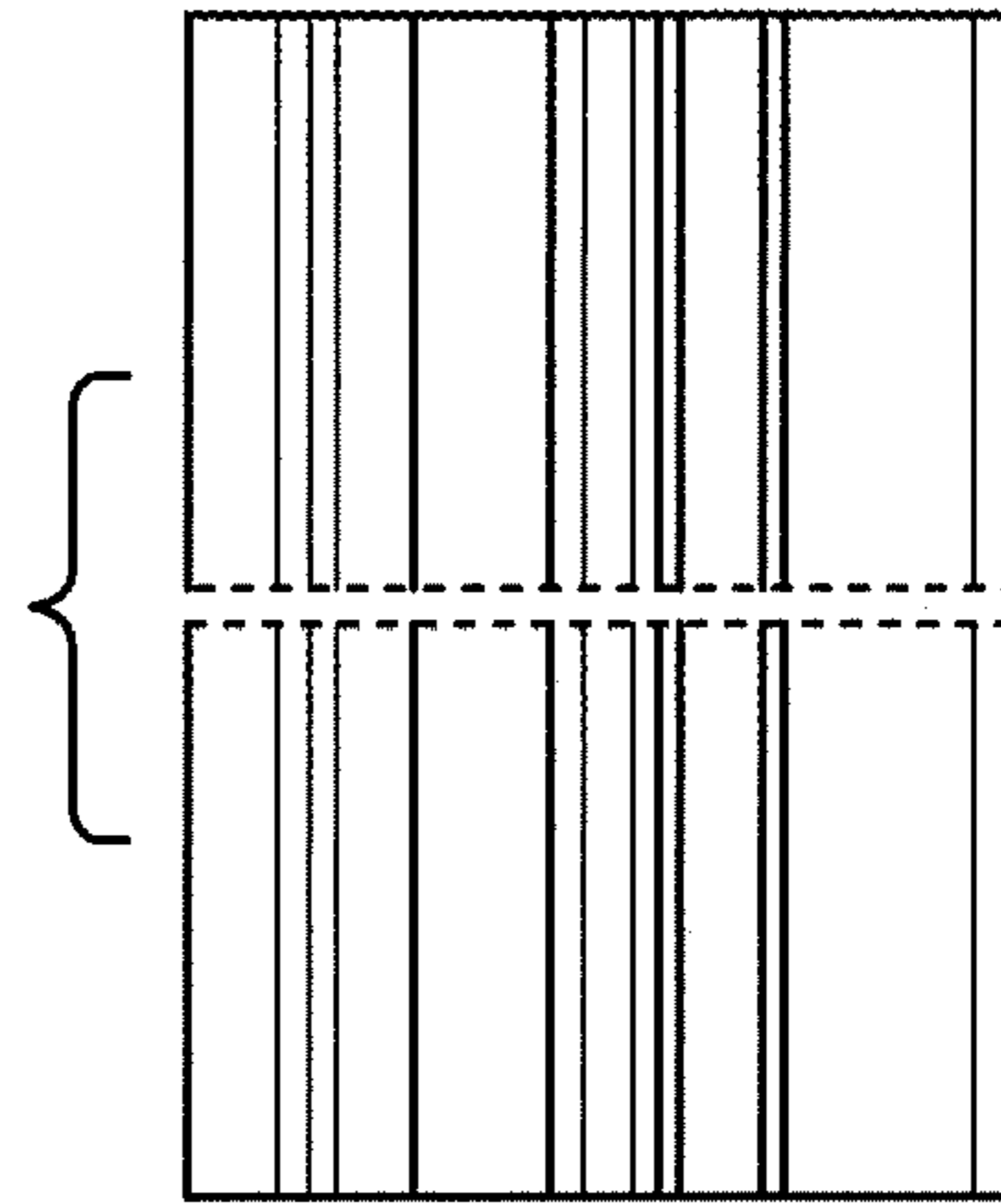


FIG. 3

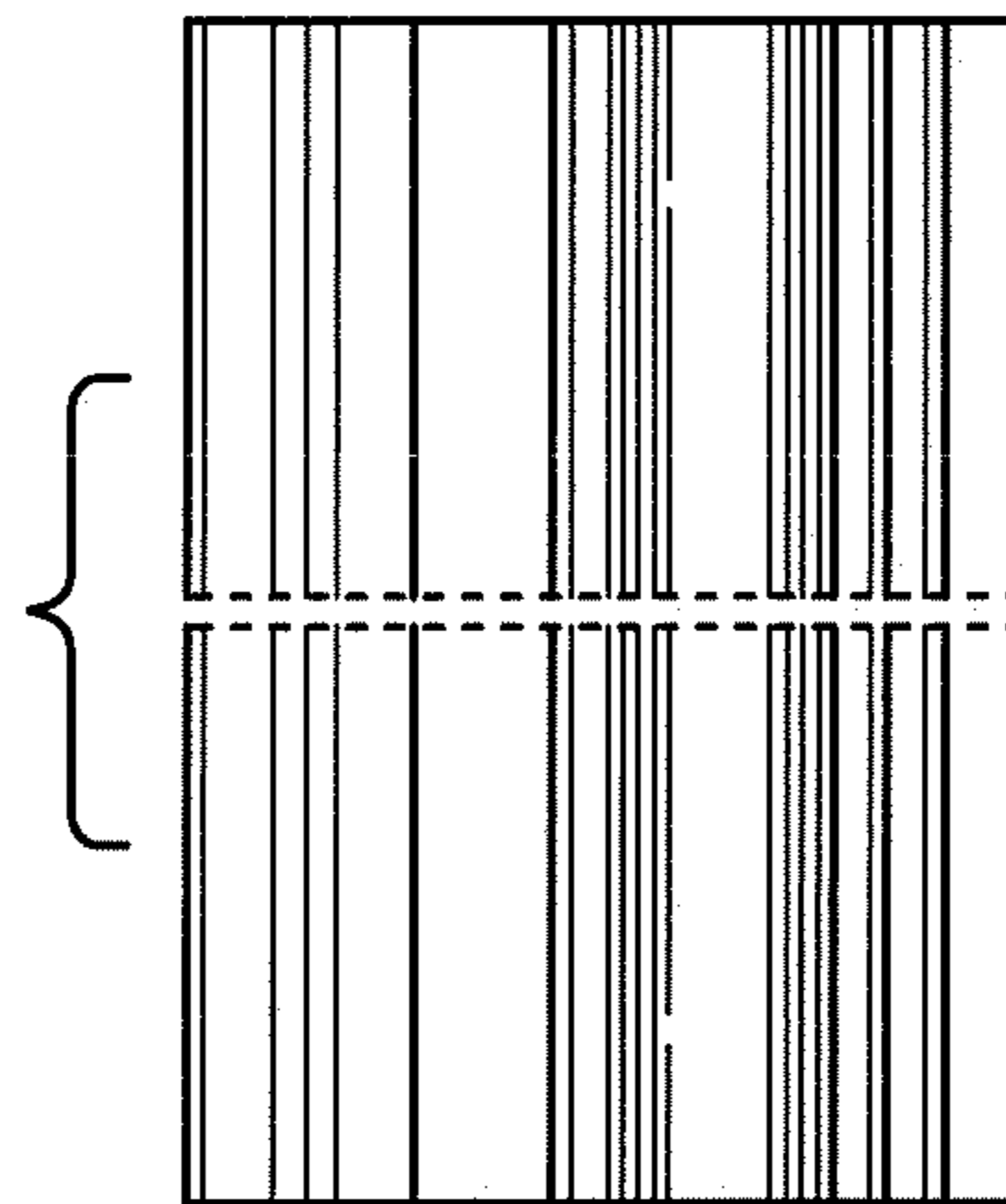


FIG. 4

