



US00D905285S

(12) **United States Design Patent**
Hay, III

(10) **Patent No.:** **US D905,285 S**

(45) **Date of Patent:** **** Dec. 15, 2020**

(54) **WINDOW FRAME LINEAL ACCESSORY RECEPTOR**

D320,094 S * 9/1991 Miller D25/119
D344,423 S * 2/1994 Pate D25/119
D344,595 S * 2/1994 Ehmke D25/119

(Continued)

(71) Applicant: **Hawkes Design and Consulting, LLC**,
Charleston, SC (US)

Primary Examiner — Llorellys Martinez

(72) Inventor: **Henry M. Hay, III**, Charleston, SC
(US)

(74) *Attorney, Agent, or Firm* — Michael A. Mann;
Nexsen Pruet, LLC

(73) Assignee: **Hawkes Design and Consulting, LLC**,
Charleston, SC (US)

(57) **CLAIM**

The ornamental design for a window frame lineal accessory receptor, as shown and described.

(**) Term: **15 Years**

(21) Appl. No.: **29/691,919**

DESCRIPTION

(22) Filed: **May 21, 2019**

(51) **LOC (12) Cl.** **25-01**

(52) **U.S. Cl.**
USPC **D25/121**

(58) **Field of Classification Search**
USPC D25/119–125, 133, 135, 164; D8/354,
D8/373, 374, 376, 377; D20/43, 44
CPC E06B 1/62; E06B 1/64; E06B 1/68; E06B
3/30; E06B 3/301; E06B 3/306; E06B
3/308; E06B 2001/628; E04C 3/04; E04C
2003/023; E04C 2003/026
See application file for complete search history.

The present application is related to U.S. design application Ser. No. 35/001,317, filed Jan. 20, 2017, which is a national application of International (Hague) design patent application DEN/2131301/JB, now International Registration No. DM/095397, and four U.S. design patent divisional applications of U.S. national application Ser. No. 35/001317, namely, application Ser. Nos. 29/665,655, 29/665,646, 29/665,643 and 29/665,640, each filed Oct. 5, 2018.

FIG. 1 is an upper left side perspective view of the window frame lineal accessory receptor, according to the present design.

FIG. 2 is a front view thereof; the back view is a mirror image of the front view.

FIG. 3 is a left side view thereof.

FIG. 4 is a right side view thereof.

FIG. 5 is a top view thereof; and,

FIG. 6 is a bottom view thereof.

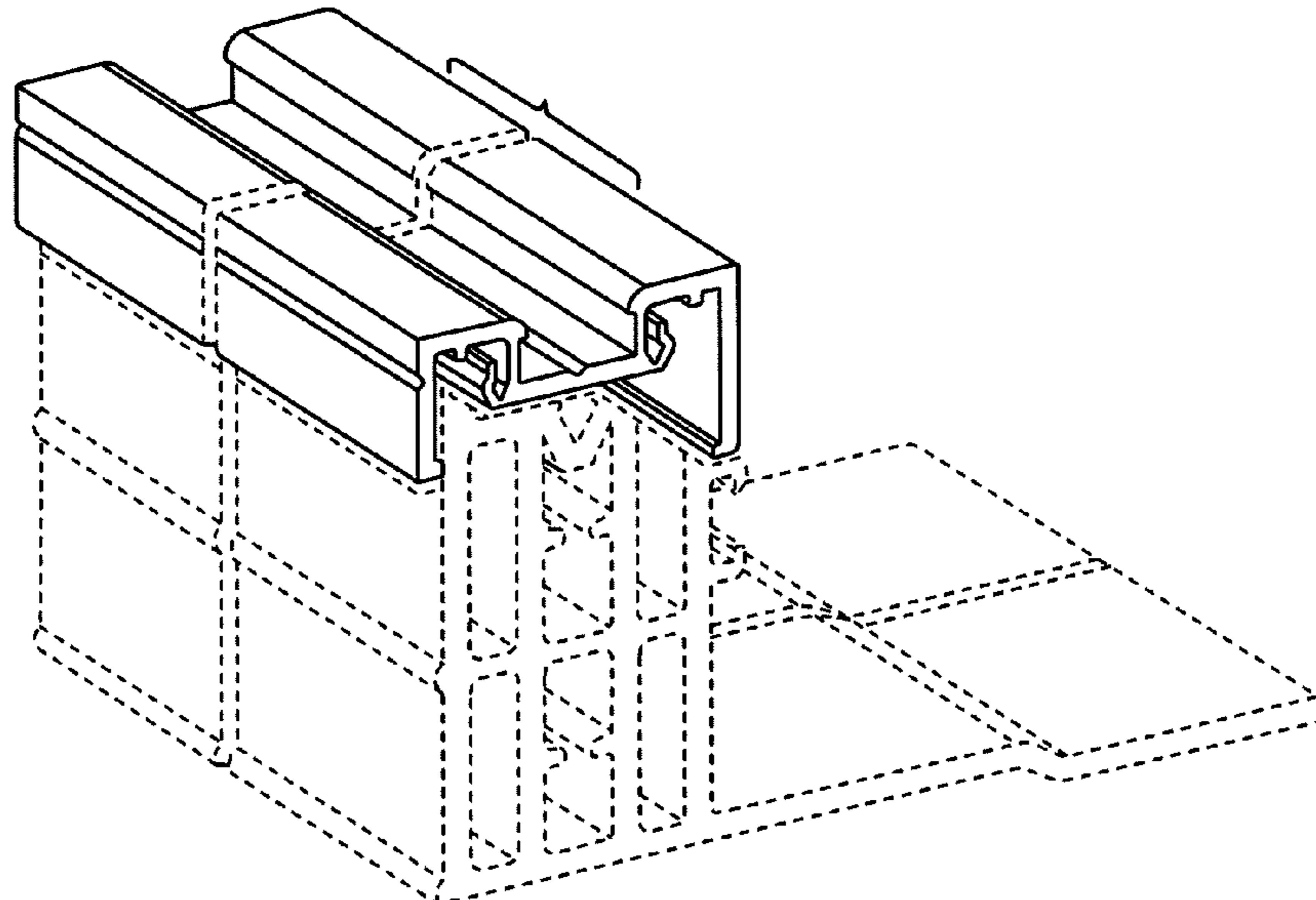
The broken lines in the figures illustrate environmental subject matter only and form no part of the claimed design. The window frame lineal accessory receptor is shown with a symbolic break in its length. The appearance of any portion of the window frame lineal accessory receptor between the break lines forms no part of the claimed design.

(56) **References Cited**

U.S. PATENT DOCUMENTS

D211,082 S * 5/1968 La Londe D25/121
D237,268 S * 10/1975 Edwards D25/123
D252,286 S * 7/1979 Brockway D25/125
D252,287 S * 7/1979 Brockway D25/125
4,201,026 A * 5/1980 Murphy E04C 3/07
D25/119
D301,304 S * 5/1989 Will D25/119
4,899,797 A * 2/1990 Green E06B 9/52
160/380
D309,817 S * 8/1990 Burkett D34/29

1 Claim, 5 Drawing Sheets



(56)

References Cited

U.S. PATENT DOCUMENTS

D398,029	S	*	9/1998	Falls	D25/119
D420,149	S	*	2/2000	Hersh	D25/119
D469,886	S	*	2/2003	Barnett	D25/119
D489,465	S	*	5/2004	Allsopp	D25/119
D497,678	S	*	10/2004	Brabeck	D25/119
D543,491	S	*	5/2007	Weekes	D25/121
D553,261	S	*	10/2007	Antonic	D25/119
D553,758	S	*	10/2007	Turjanski	D25/102
D554,773	S	*	11/2007	Antonic	D25/119
D554,775	S	*	11/2007	Antonic	D25/119
D585,267	S	*	1/2009	Di Vinadio	D8/377
D623,768	S	*	9/2010	Antonic	D25/121
D625,844	S	*	10/2010	Antonic	D25/121
D627,179	S	*	11/2010	Fabiano	D8/377
8,196,363	B2		6/2012	Hay et al.		
D666,325	S	*	8/2012	Morton	D25/119
8,438,802	B1		5/2013	Hay et al.		
8,789,324	B2		7/2014	Hay et al.		
8,863,452	B1		10/2014	Hay, III et al.		
D760,403	S	*	6/2016	Bilge	D25/125
D802,799	S	*	11/2017	Walker	D25/121
D856,536	S	*	8/2019	Hay, III	D25/124
D872,894	S	*	1/2020	Hay, III	D25/124
D872,896	S	*	1/2020	Hay, III	D25/124
2009/0241421	A1		10/2009	Hay, III et al.		
2014/0326126	A1		11/2014	Hay, III et al.		

* cited by examiner

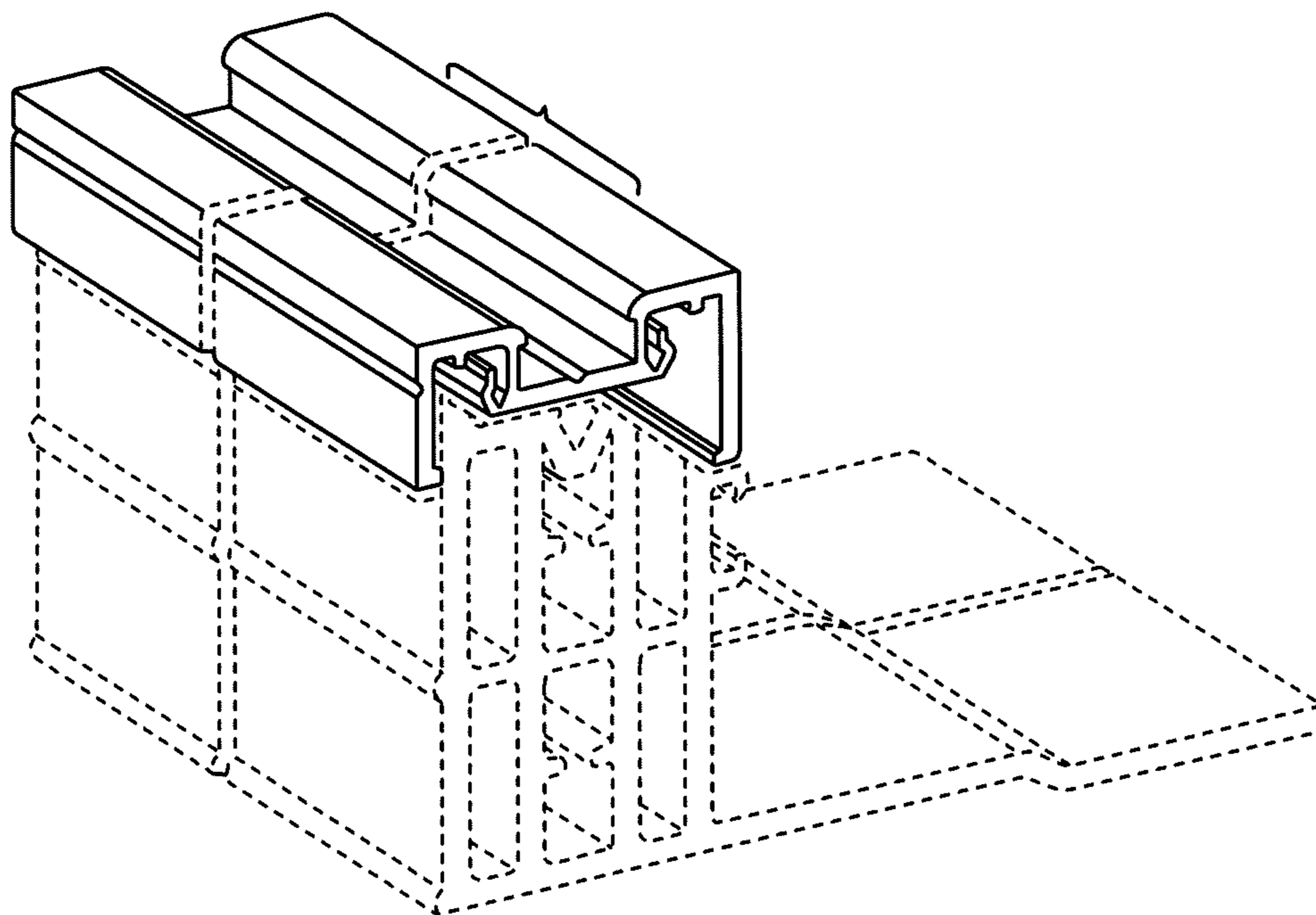


FIG. 1

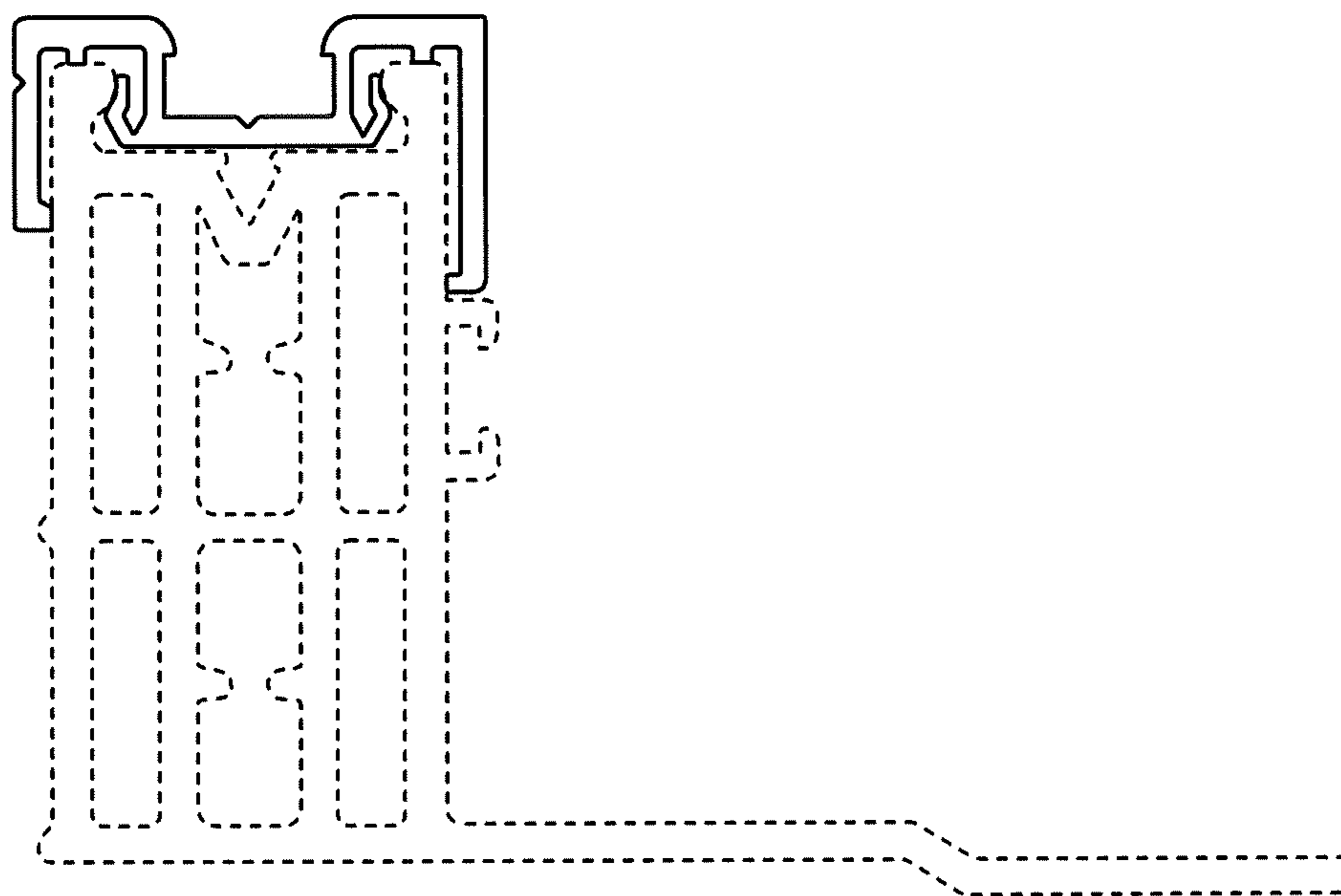


FIG. 2

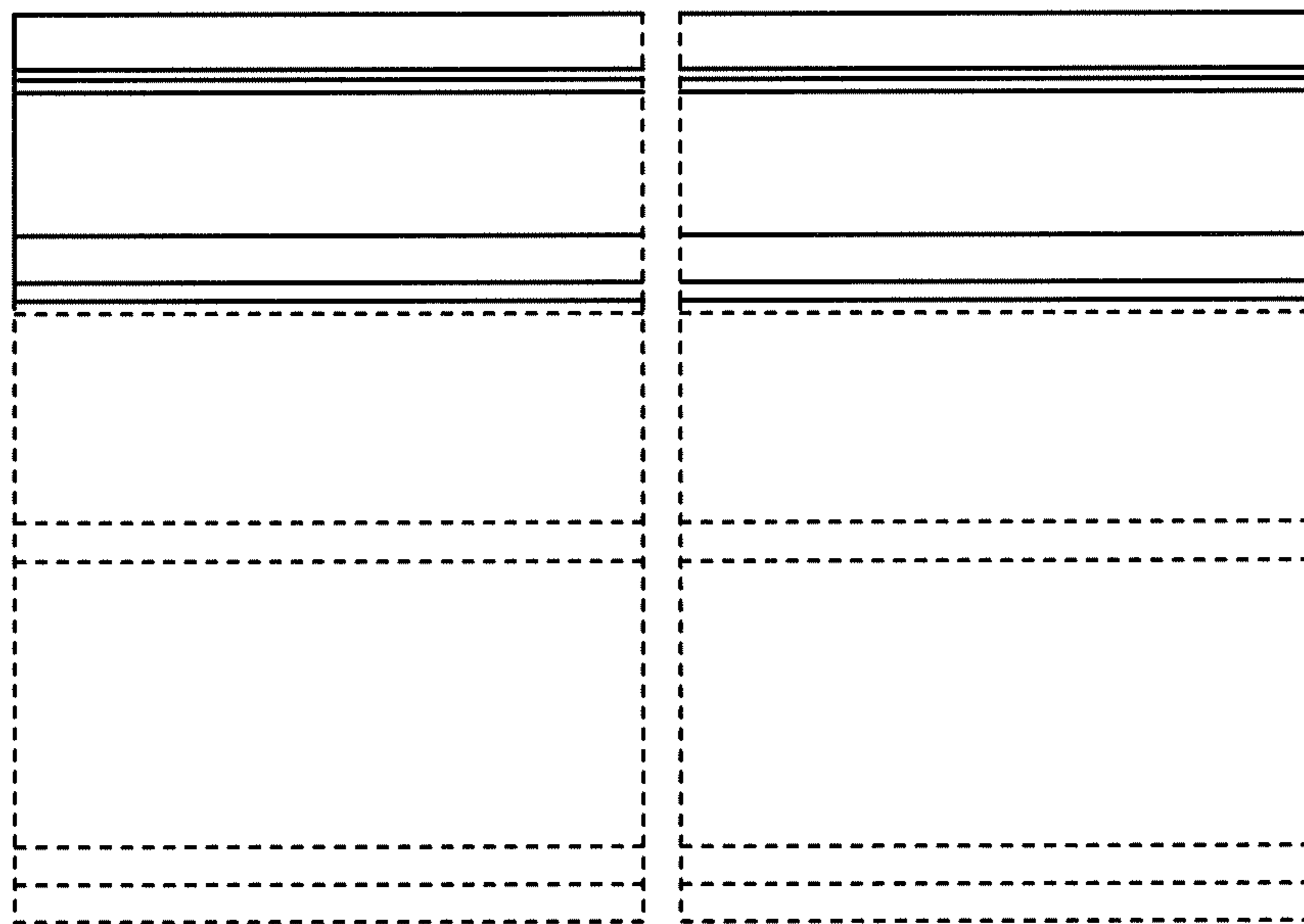


FIG. 3

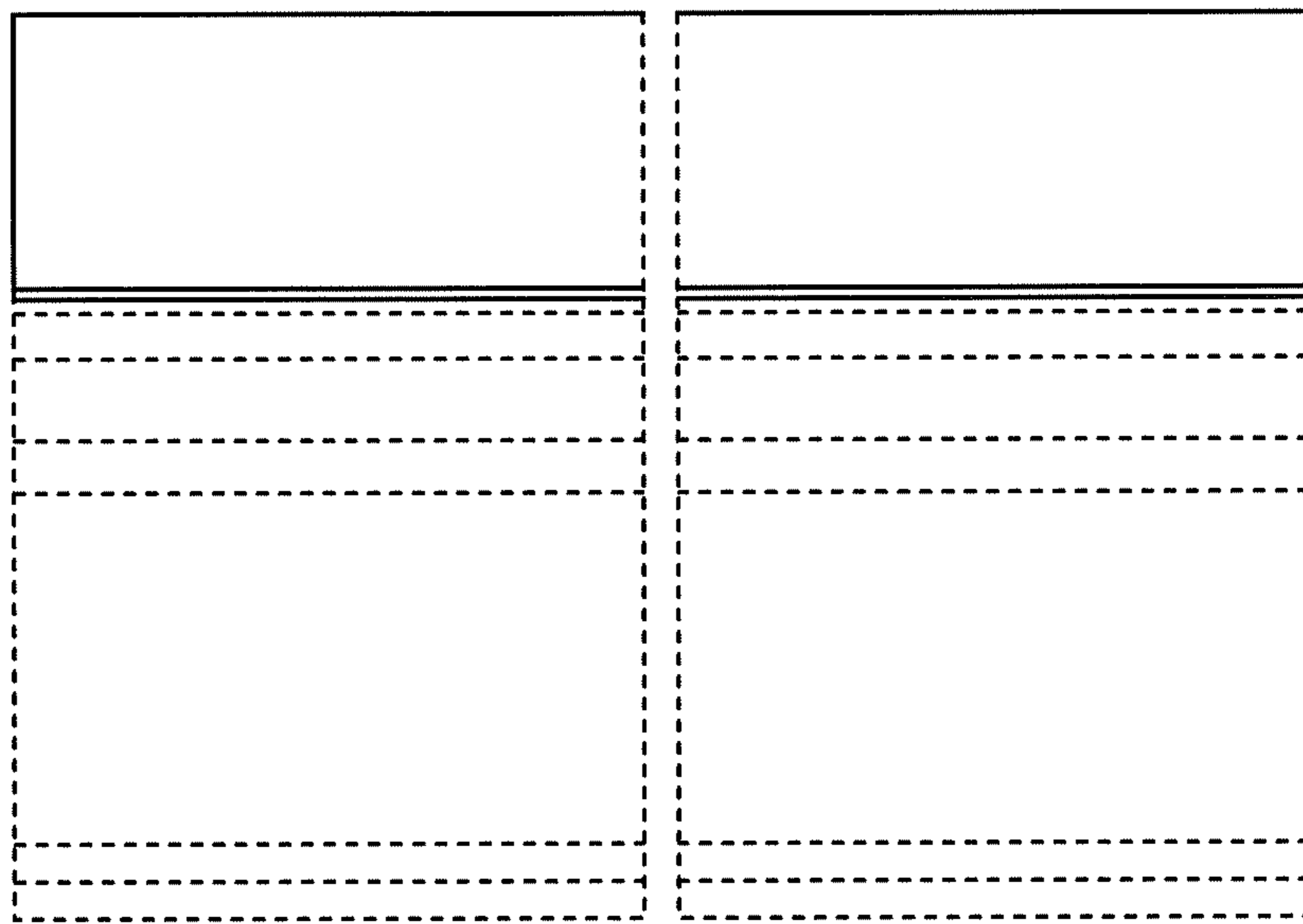


FIG. 4

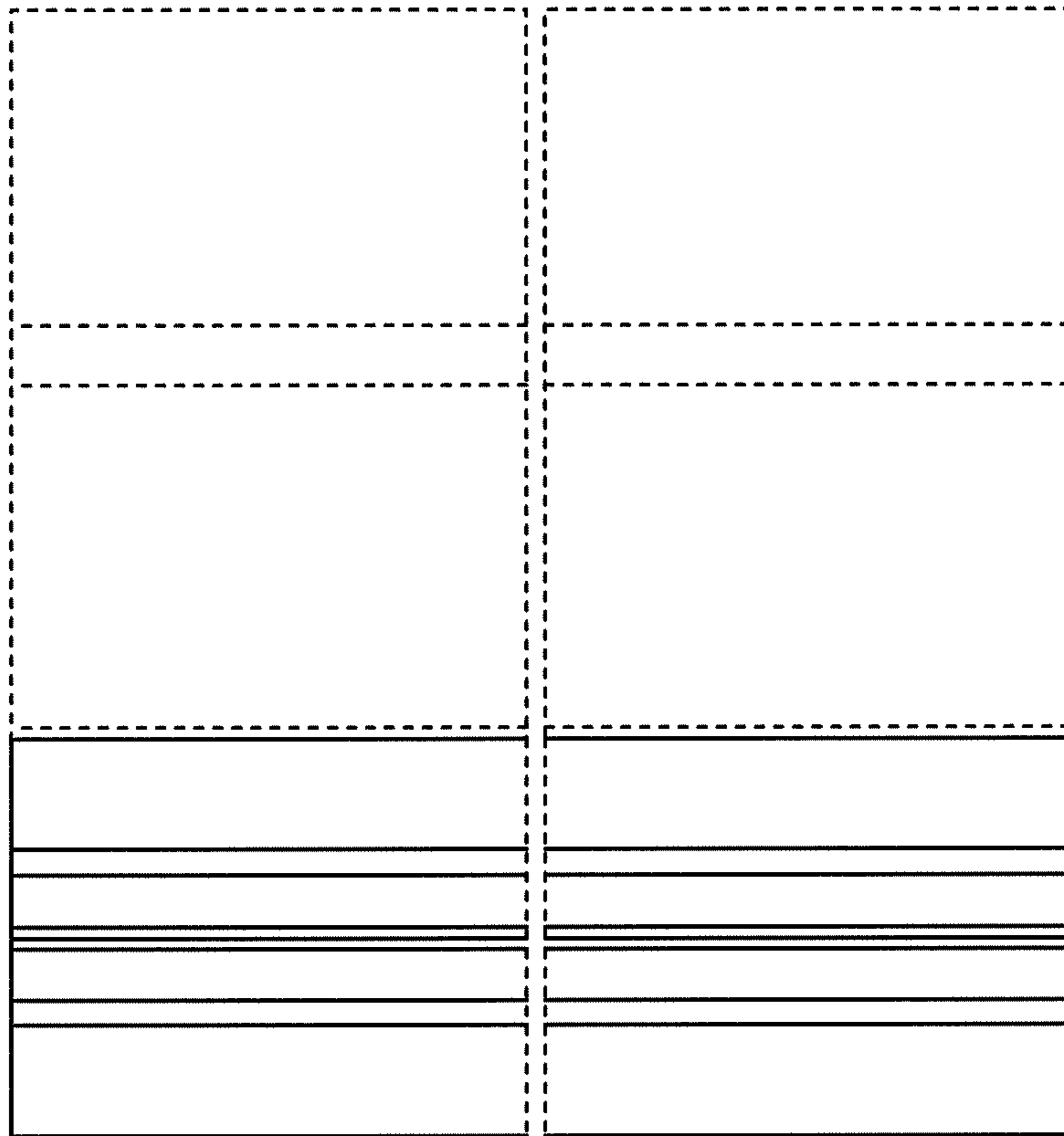


FIG. 5

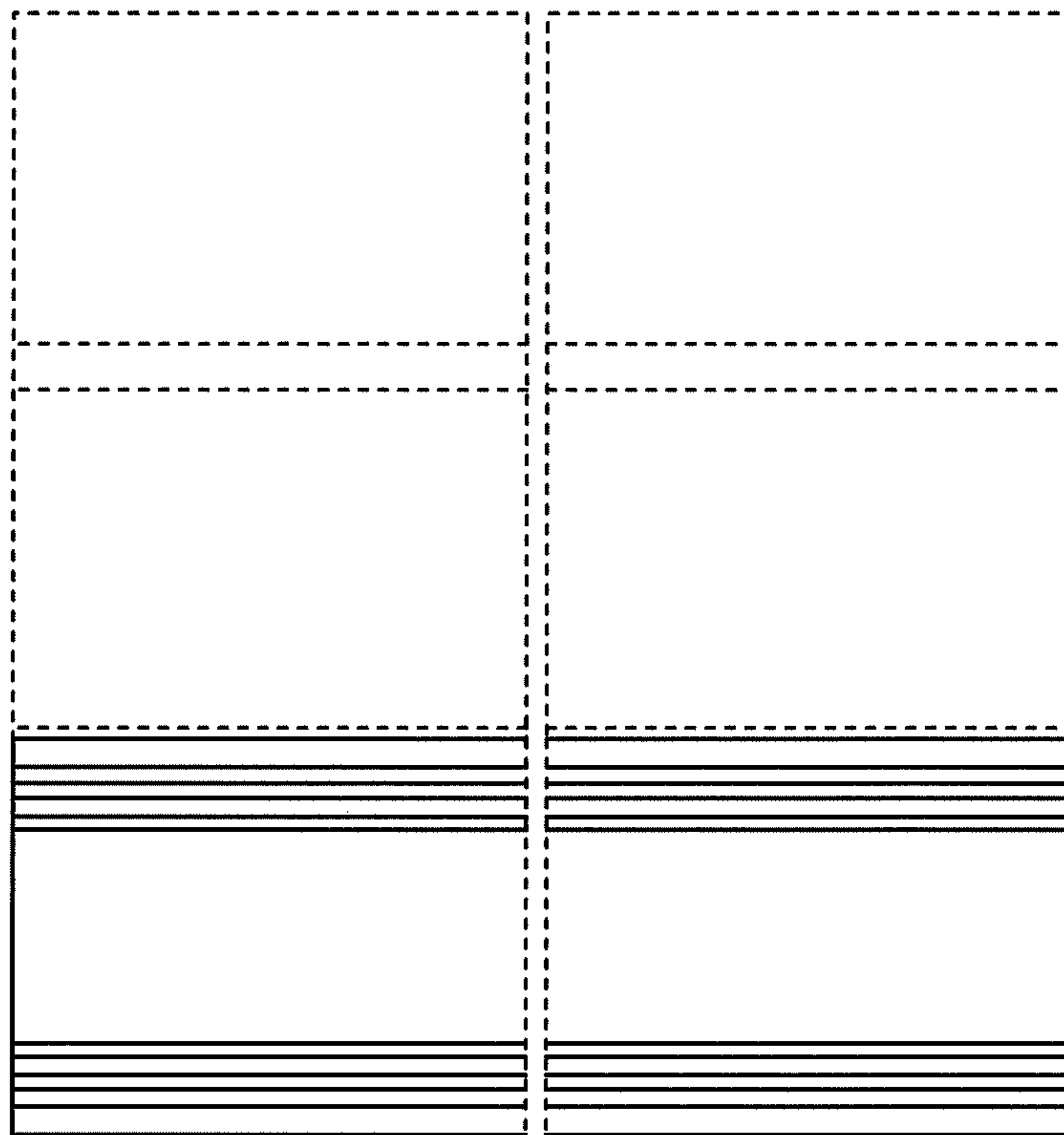


FIG. 6