



US00D905284S

(12) **United States Design Patent**  
**Hay, III**

(10) **Patent No.:** **US D905,284 S**

(45) **Date of Patent:** **\*\* Dec. 15, 2020**

(54) **WINDOW FRAME LINEAL ACCESSORY RECEPTOR**

(71) Applicant: **Hawkes Design and Consulting, LLC**,  
Charleston, SC (US)

(72) Inventor: **Henry M. Hay, III**, Charleston, SC  
(US)

(73) Assignee: **Hawkes Design and Consulting, LLC**,  
Charleston, SC (US)

(\*\*) Term: **15 Years**

(21) Appl. No.: **29/691,917**

(22) Filed: **May 21, 2019**

(51) **LOC (12) Cl.** ..... **25-01**

(52) **U.S. Cl.**  
USPC ..... **D25/121**

(58) **Field of Classification Search**  
USPC ..... D25/119–125, 133, 135, 164; D8/354,  
D8/373, 374, 376, 377; D20/43, 44  
CPC ..... E06B 1/62; E06B 1/64; E06B 1/68; E06B  
3/30; E06B 3/301; E06B 3/306; E06B  
3/308; E06B 2001/628; E04C 3/04; E04C  
2003/023; E04C 2003/026  
See application file for complete search history.

(56) **References Cited**

**U.S. PATENT DOCUMENTS**

D211,082 S *	5/1968	La Londe	.....	D25/121
D237,268 S *	10/1975	Edwards	.....	D25/123
D252,286 S *	7/1979	Brockway	.....	D25/125
D252,287 S *	7/1979	Brockway	.....	D25/125
4,201,026 A *	5/1980	Murphy	.....	E04C 3/07 D25/119
D301,304 S *	5/1989	Will	.....	D25/119
4,899,797 A *	2/1990	Green	.....	E06B 9/52 160/380

D309,817 S *	8/1990	Burkett	.....	D34/29
D320,094 S *	9/1991	Miller	.....	D25/119
D344,423 S *	2/1994	Pate	.....	D25/119
D344,595 S *	2/1994	Ehmke	.....	D25/119
D398,029 S *	9/1998	Falls	.....	D25/119
D420,149 S *	2/2000	Hersh	.....	D25/119
D469,886 S *	2/2003	Barnett	.....	D25/119
D489,465 S *	5/2004	Allsopp	.....	D25/119

(Continued)

*Primary Examiner* — Llorelys Martinez

(74) *Attorney, Agent, or Firm* — Michael A. Mann;  
Nexsen Pruet, LLC

(57) **CLAIM**

The ornamental design for a window frame lineal accessory receptor, as shown and described.

**DESCRIPTION**

The present application is related to U.S. design application Ser. No. 35/001,317, filed Jan. 20, 2017, and four U.S. design patent divisional applications of U.S. national application Ser. No. 35/001,317, namely, application Ser. Nos. 29/665,655, 29/665,646, 29/665,643 and 29/665,640, each filed Oct. 5, 2018.

FIG. 1 is a front view of the window frame lineal accessory receptor, according to the present design; the back view is a mirror image of the front view.

FIG. 2 is an upper left side perspective view thereof.

FIG. 3 is a left side view thereof.

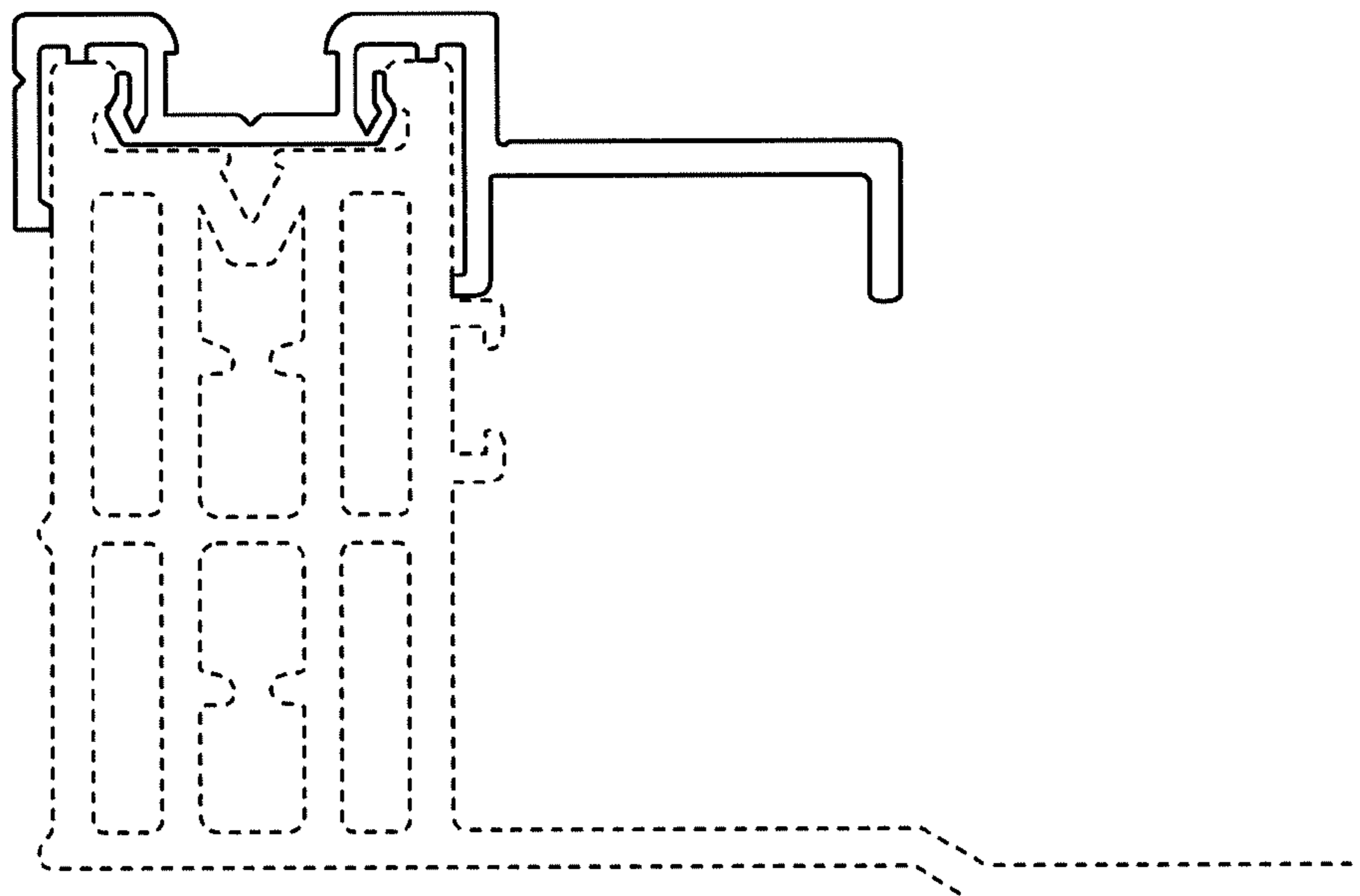
FIG. 4 is a right side view thereof.

FIG. 5 is a top view thereof; and,

FIG. 6 is a bottom view thereof.

The broken lines in the figures illustrate environmental subject matter only and form no part of the claimed design. The window frame lineal accessory receptor is shown with a symbolic break in its length. The appearance of any portion of the window frame lineal accessory receptor between the break lines forms no part of the claimed design.

**1 Claim, 3 Drawing Sheets**



(56)

**References Cited**

## U.S. PATENT DOCUMENTS

D497,678	S	*	10/2004	Brabeck	.....	D25/119
D543,491	S	*	5/2007	Weekes	.....	D25/121
D553,261	S	*	10/2007	Antonic	.....	D25/119
D553,758	S	*	10/2007	Turjanski	.....	D25/102
D554,773	S	*	11/2007	Antonic	.....	D25/119
D554,775	S	*	11/2007	Antonic	.....	D25/119
D585,267	S	*	1/2009	Di Vinadio	.....	D8/377
D623,768	S	*	9/2010	Antonic	.....	D25/121
D625,844	S	*	10/2010	Antonic	.....	D25/121
D627,179	S	*	11/2010	Fabiano	.....	D8/377
8,196,363	B2		6/2012	Hay et al.		
D666,325	S	*	8/2012	Morton	.....	D25/119
8,438,802	B1		5/2013	Hay et al.		
8,789,324	B2		7/2014	Hay et al.		
8,863,452	B1		10/2014	Hay, III et al.		
D760,403	S	*	6/2016	Bilge	.....	D25/125
D802,799	S	*	11/2017	Walker	.....	D25/121
D856,536	S	*	8/2019	Hay, III	.....	D25/124
D872,894	S	*	1/2020	Hay, III	.....	D25/124
D872,896	S	*	1/2020	Hay, III	.....	D25/124
2009/0241421	A1		10/2009	Hay, III et al.		
2014/0326126	A1		11/2014	Hay, III et al.		

\* cited by examiner

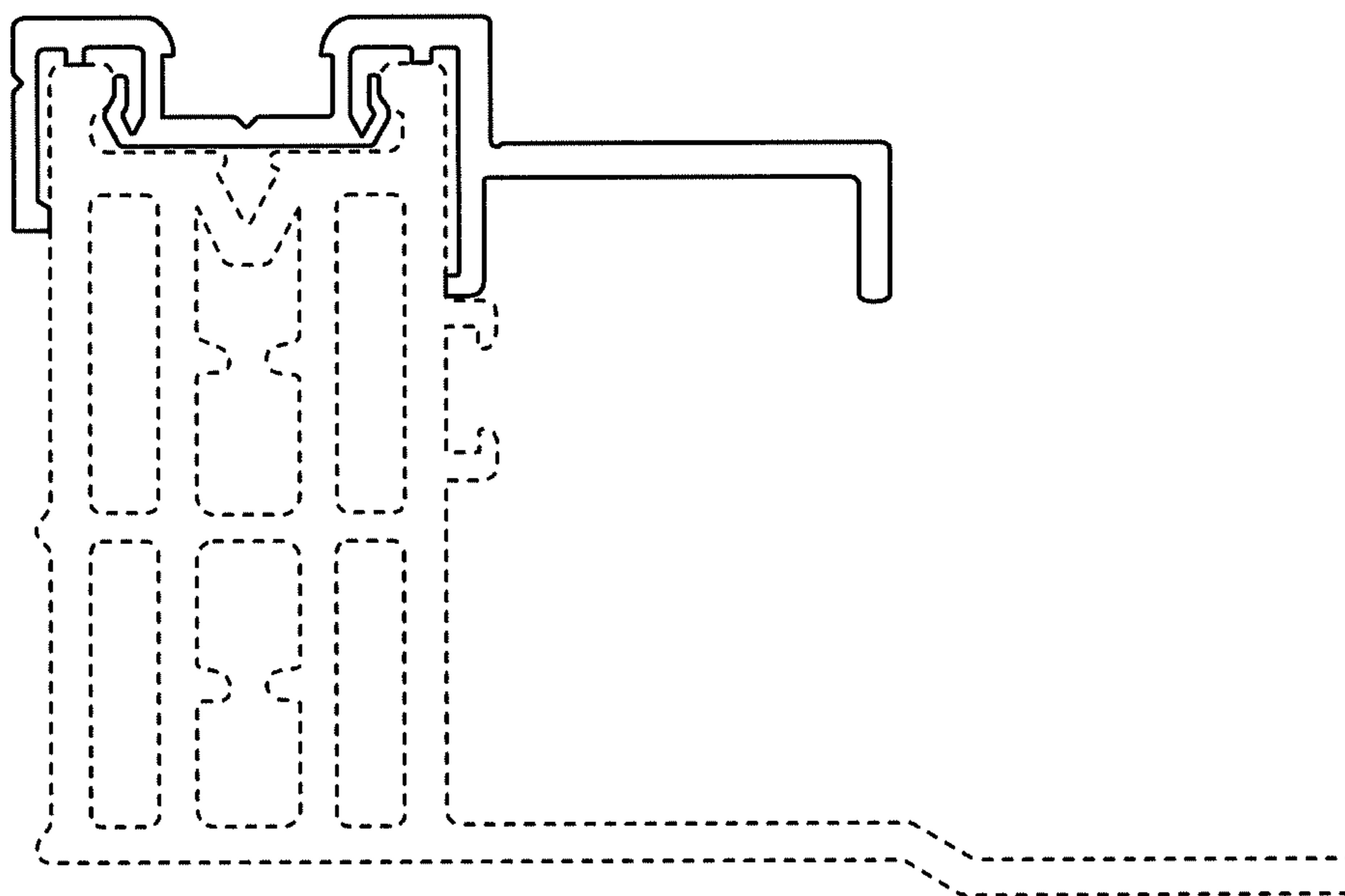


FIG. 1

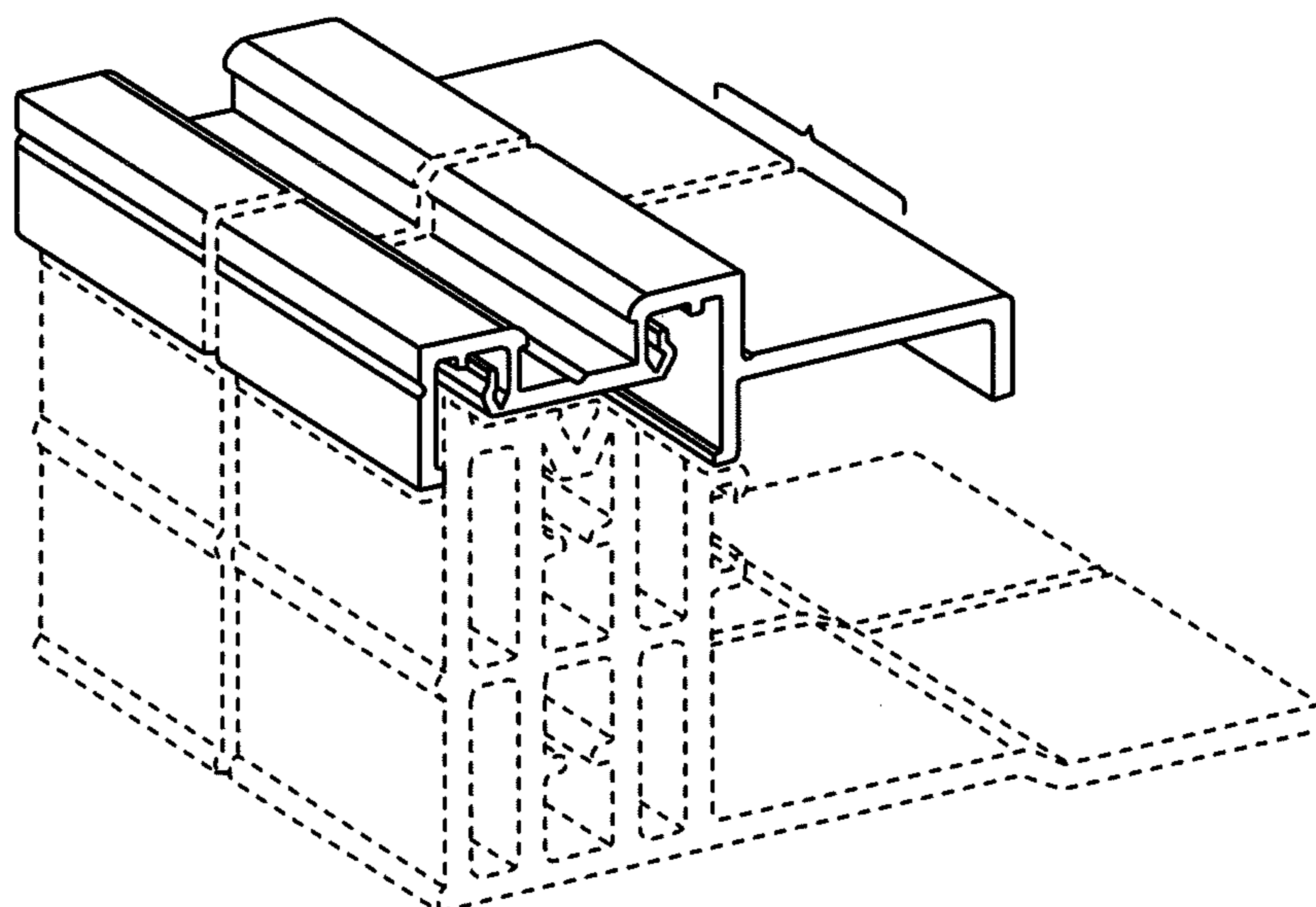


FIG. 2

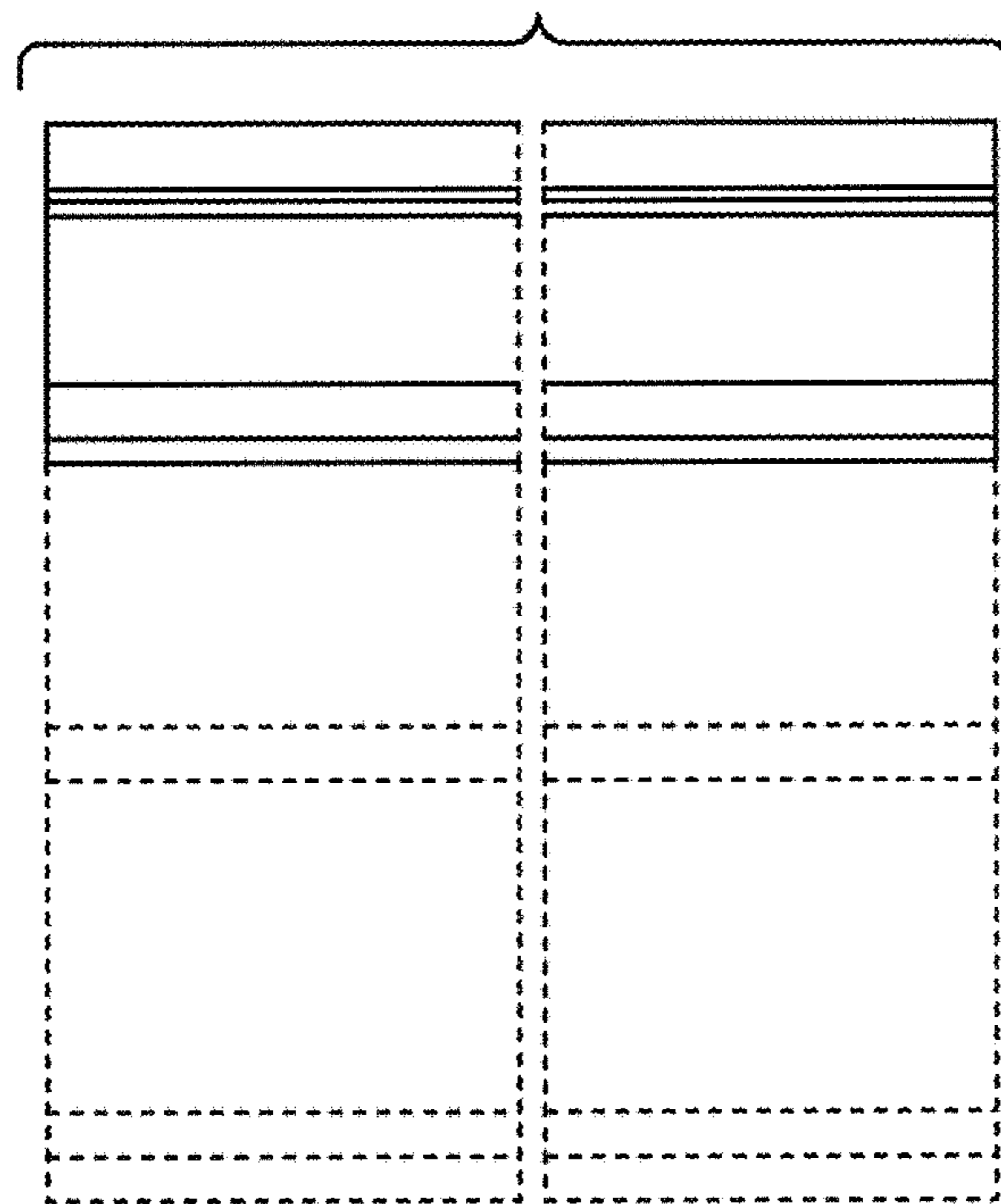


FIG. 3

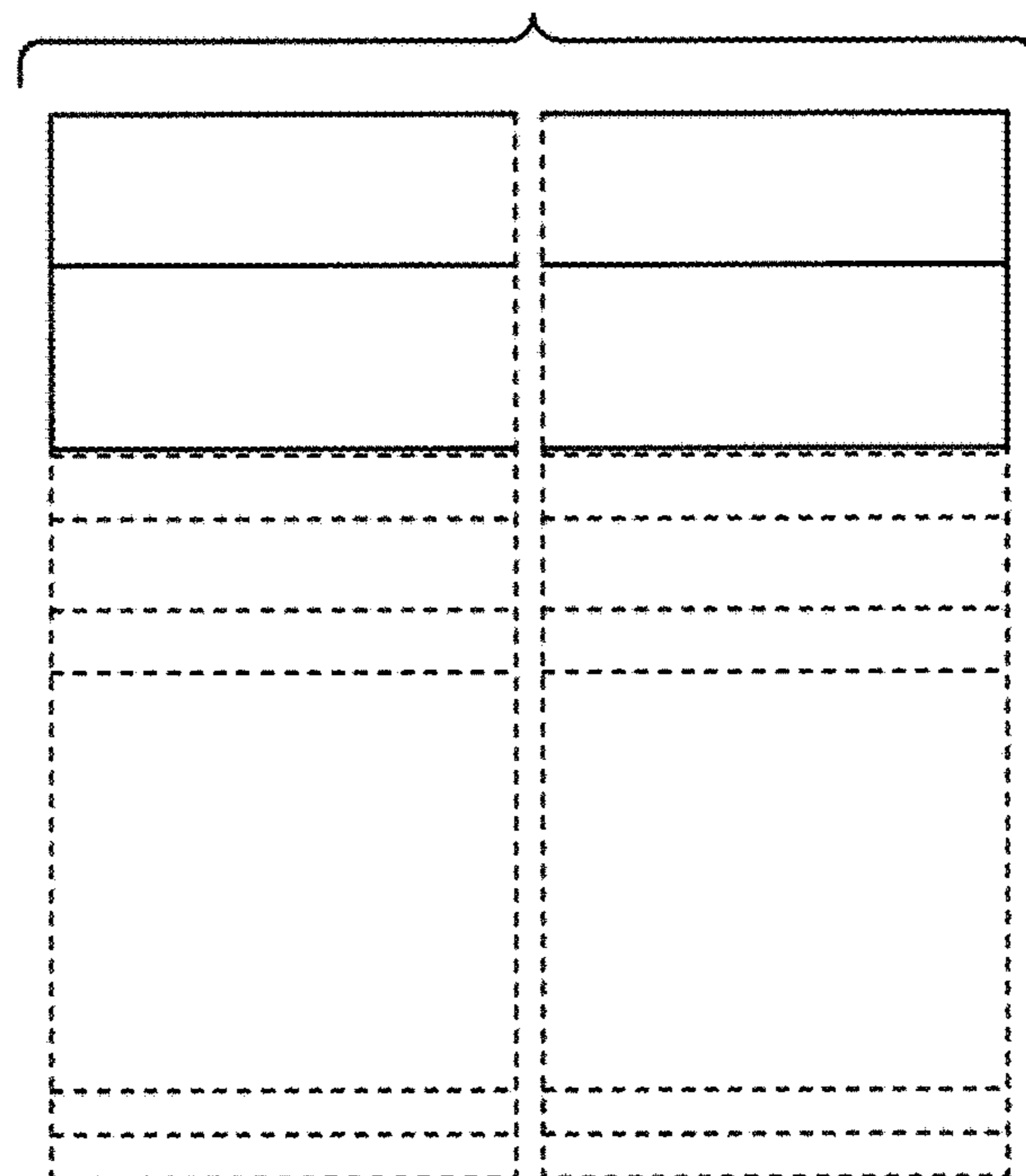


FIG. 4

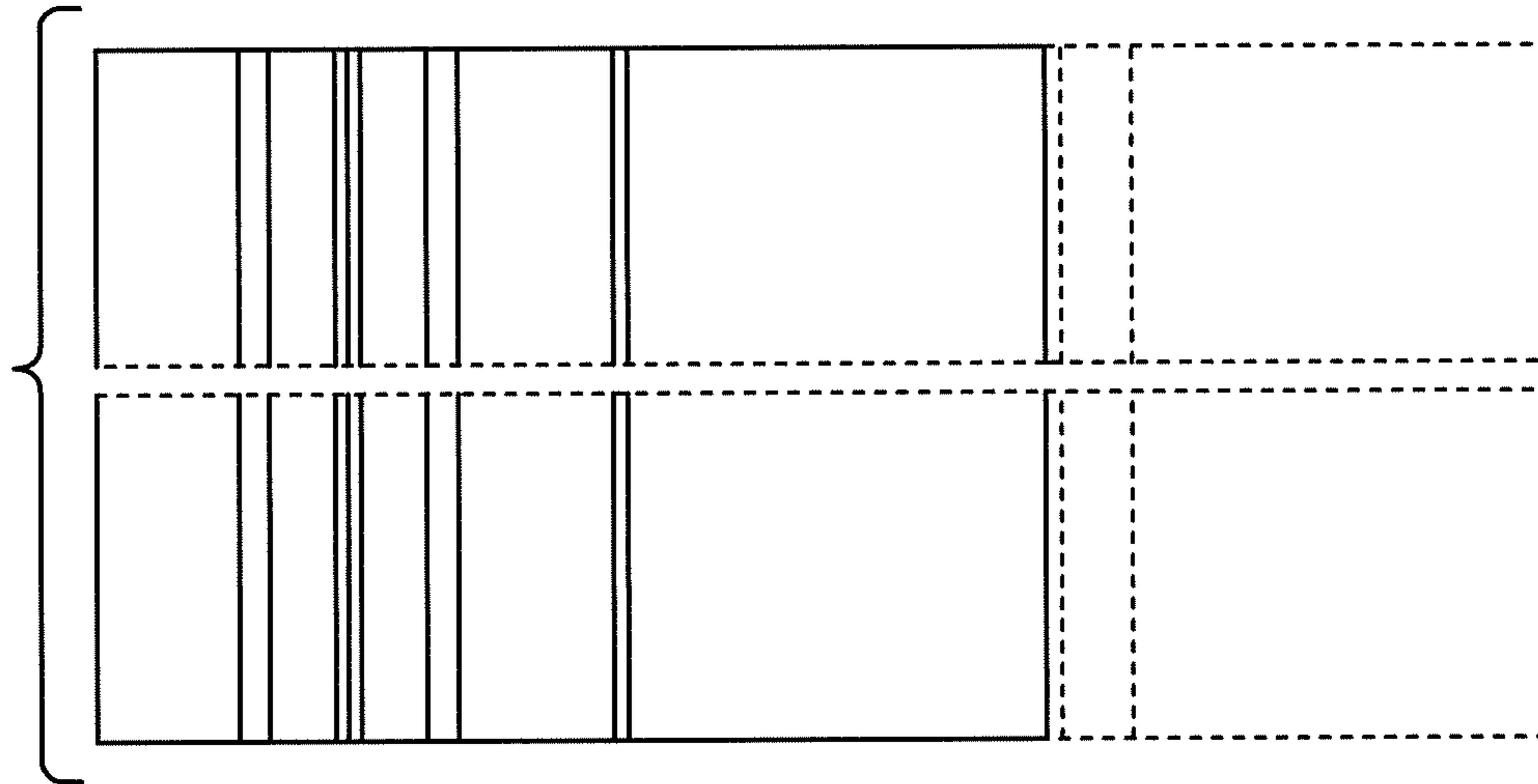


FIG. 5

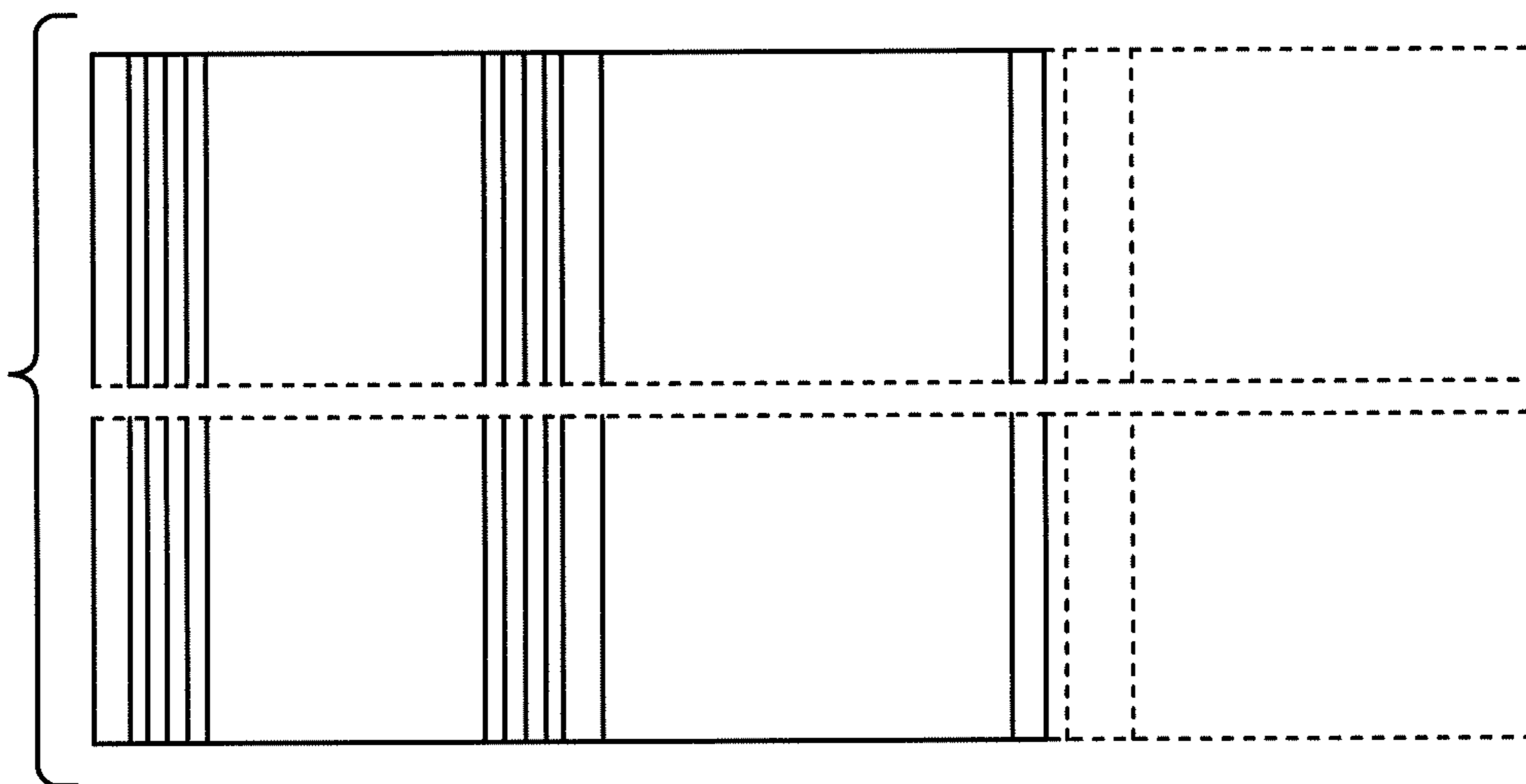


FIG. 6