



US00D905283S

(12) **United States Design Patent**
Hay, III

(10) **Patent No.:** **US D905,283 S**

(45) **Date of Patent:** **** Dec. 15, 2020**

(54) **WINDOW FRAME LINEAL ACCESSORY RECEPTOR**

<<"https://www.thehumansolution.com/steelcase-details-personal-shelf.html"> (Year: 2013).*

(71) Applicant: **Hawkes Design and Consulting, LLC**,
Charleston, SC (US)

Primary Examiner — Llorelys Martinez

(74) *Attorney, Agent, or Firm* — Michael A. Mann;

Nexsen Pruet, LLC

(72) Inventor: **Henry M. Hay, III**, Charleston, TX
(US)

(73) Assignee: **Hawkes Design and Consulting, LLC**,
Charleston, SC (US)

(57) **CLAIM**

The ornamental design for a window frame lineal accessory receptor, as shown and described.

(**) Term: **15 Years**

(21) Appl. No.: **29/691,920**

(22) Filed: **May 21, 2019**

(51) **LOC (12) Cl.** **25-01**

(52) **U.S. Cl.**
USPC **D25/119**

(58) **Field of Classification Search**
USPC D25/119–125, 133, 135, 164; D8/354,
D8/373, 374, 376, 377; D6/512, 513,
D6/540, 553; D20/43, 44
CPC E06B 1/62; E06B 1/64; E06B 1/68; E06B
3/30; E06B 3/301; E06B 3/306; E06B
3/308; E06B 2001/628; E04C 3/04; E04C
2003/023; E04C 2003/026
See application file for complete search history.

DESCRIPTION

The present application is related to U.S. design application Ser. No. 35/001,317, filed Jan. 20, 2017, which is a national application of International (Hague) design patent application DEN/2131301/JB, now International Registration No. DM/095397, and four U.S. design patent divisional applications of U.S. national application Ser. No. 35/001317, namely, application Ser. Nos. 29/665,655, 29/665,646, 29/665,643 and 29/665,640, each filed Oct. 5, 2018.

FIG. 1 is an upper right side perspective view of the window frame lineal accessory receptor, according to the present design.

FIG. 2 is a front view thereof; the back view is a mirror image of the front view.

FIG. 3 is a left side view thereof.

FIG. 4 is a right side view thereof.

FIG. 5 is a top view thereof; and,

FIG. 6 is a bottom view thereof.

The broken lines in the figures illustrate environmental subject matter only and form no part of the claimed design. The window frame lineal accessory receptor is shown with a symbolic break in its length. The appearance of any portion of the window frame lineal accessory receptor between the break lines forms no part of the claimed design.

(56) **References Cited**

U.S. PATENT DOCUMENTS

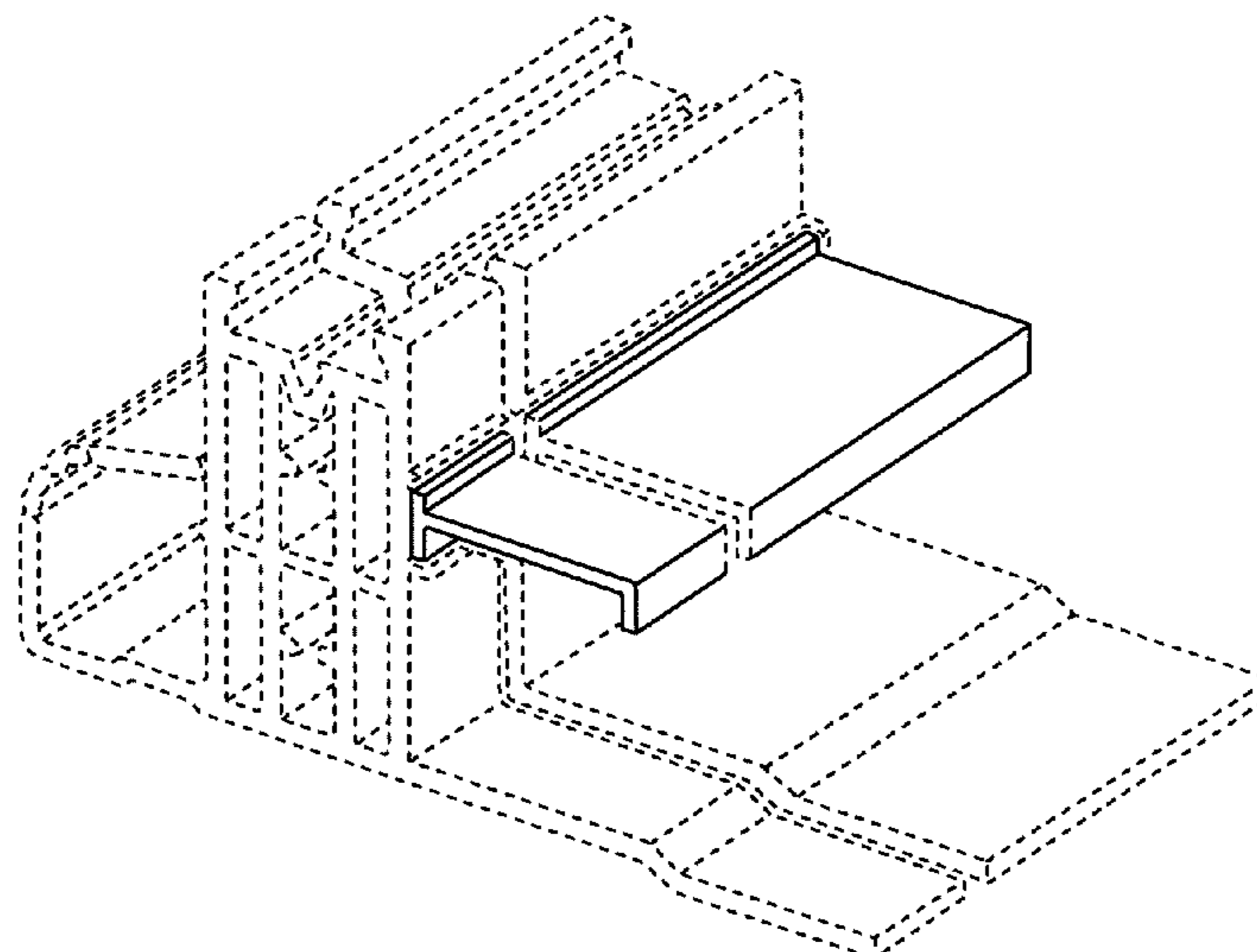
3,420,029 A * 1/1969 Martin E04C 2/08
52/483.1
D237,268 S * 10/1975 Edwards D25/123
D253,130 S * 10/1979 Broadbent D25/125

(Continued)

OTHER PUBLICATIONS

Steelcase Worktools Personal Shelf, available for sale since at least Jun. 20, 2013, online. Site visited Jun. 8, 2020. Internet URL:

1 Claim, 4 Drawing Sheets



(56)

References Cited

U.S. PATENT DOCUMENTS

4,512,127 A * 4/1985 Attaway E04F 13/06
 D279,315 S * 6/1985 Smith D25/119
 D288,615 S * 3/1987 Hardy D25/119
 D299,962 S * 2/1989 Hardy D25/119
 D301,304 S * 5/1989 Will D25/119
 D318,343 S * 7/1991 Miller D13/155
 D319,886 S * 9/1991 Simpson D20/44
 D344,423 S * 2/1994 Pate D25/119
 D344,424 S * 2/1994 Pate D25/119
 D345,268 S * 3/1994 Pate D25/119
 D402,062 S * 12/1998 Leonelli D25/125
 D467,357 S * 12/2002 O'Brien D25/164
 D526,887 S * 8/2006 Remmers D8/373
 D553,261 S * 10/2007 Antonic D25/119
 D554,273 S * 10/2007 Antonic D25/121

D554,773 S * 11/2007 Antonic D25/119
 D555,259 S * 11/2007 Antonic D25/119
 D574,518 S * 8/2008 Antonic D25/121
 D623,768 S * 9/2010 Antonic D25/121
 D625,843 S * 10/2010 Antonic D25/121
 D625,844 S * 10/2010 Antonic D25/121
 D662,344 S * 6/2012 Cook D6/513
 8,196,363 B2 6/2012 Hay et al.
 8,438,802 B1 5/2013 Hay et al.
 8,789,324 B2 7/2014 Hay et al.
 8,863,452 B1 10/2014 Hay, III et al.
 D781,459 S * 3/2017 Krause D25/119
 D781,460 S * 3/2017 Krause D25/119
 D782,707 S * 3/2017 Krause D25/119
 D824,046 S * 7/2018 Krause E04B 1/61
 D856,536 S * 8/2019 Hay, III D25/124
 2009/0241421 A1 10/2009 Hay, III et al.
 2014/0326126 A1 11/2014 Hay, III et al.

* cited by examiner

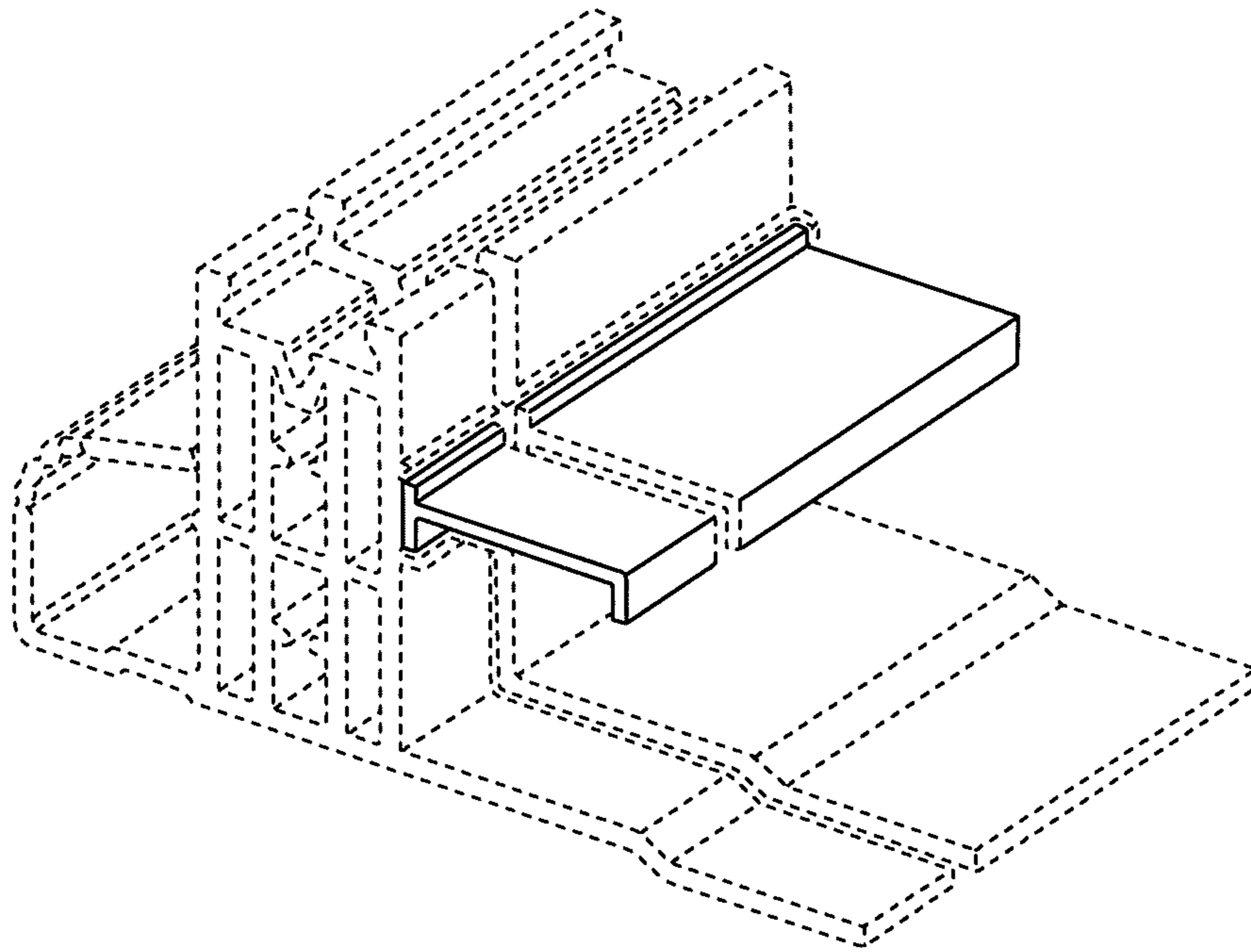


FIG. 1

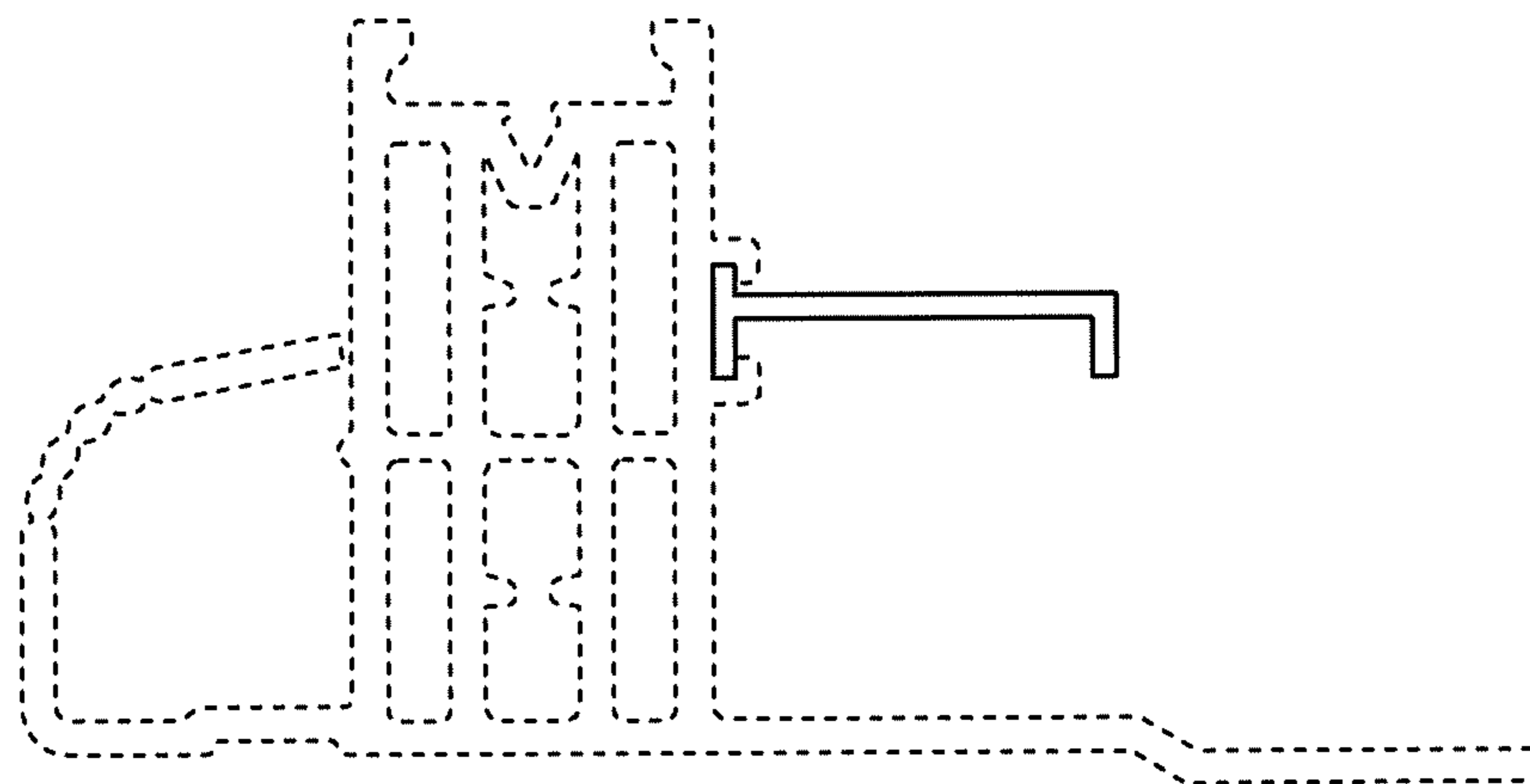


FIG. 2

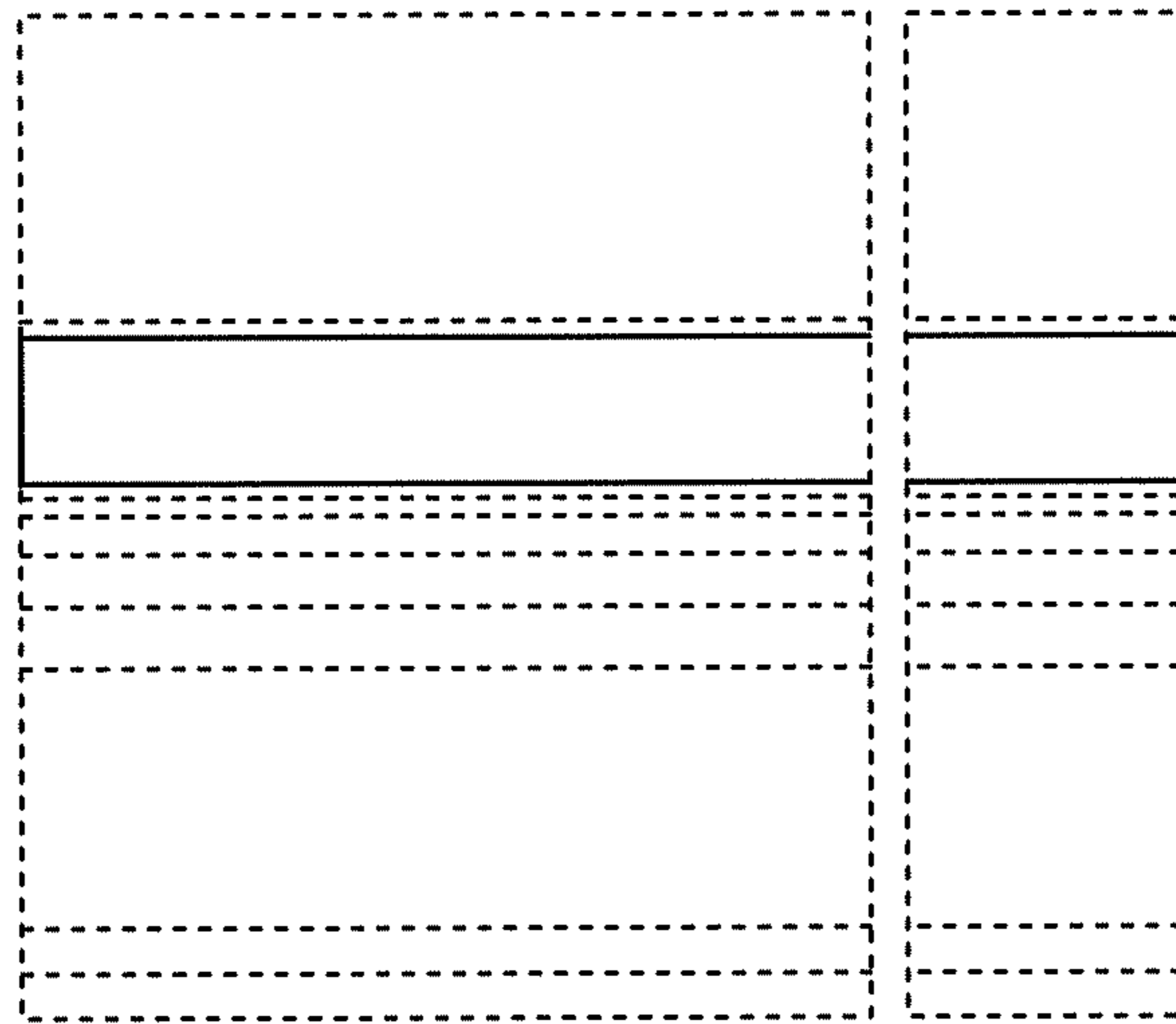


FIG. 3

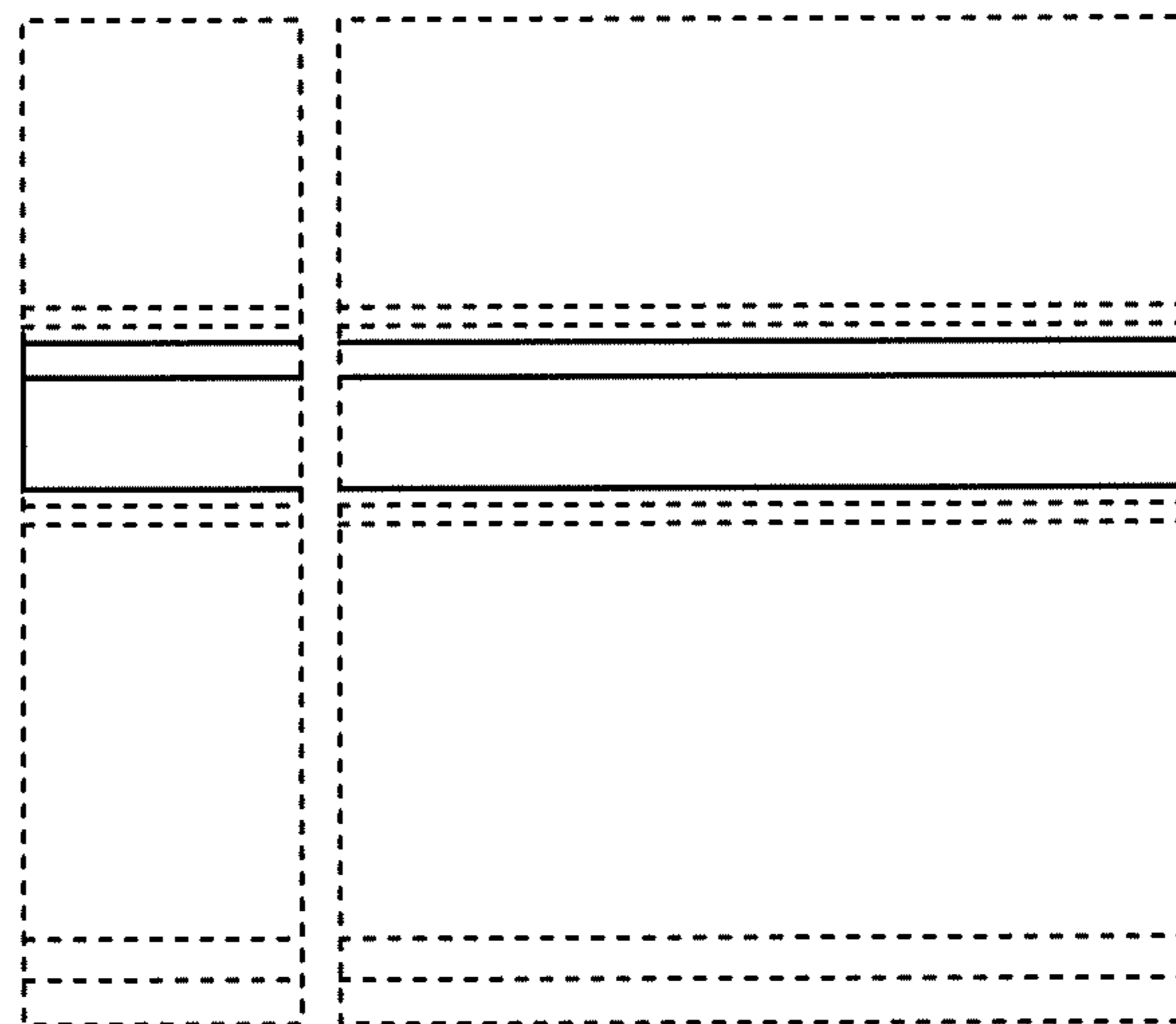


FIG. 4

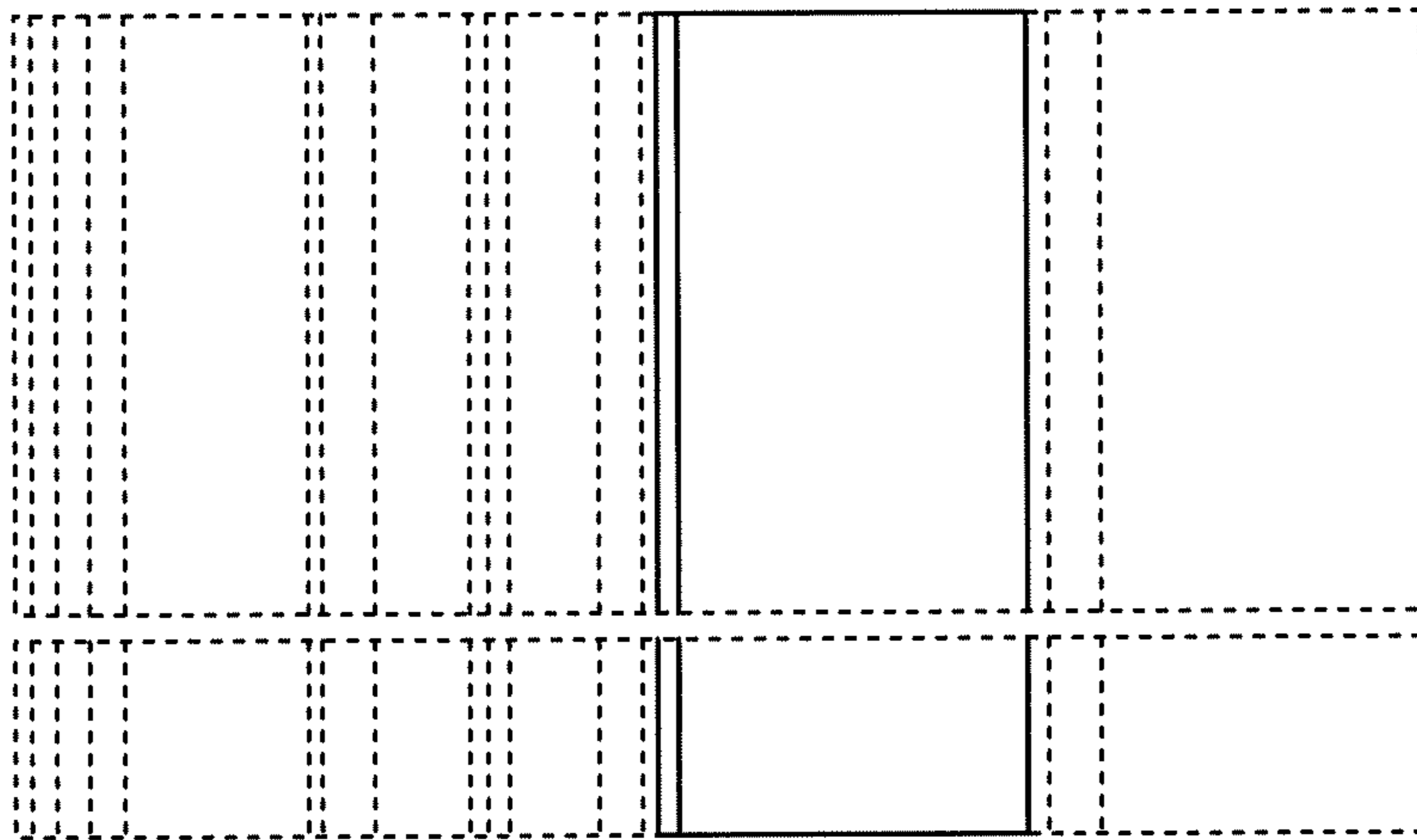


FIG. 5

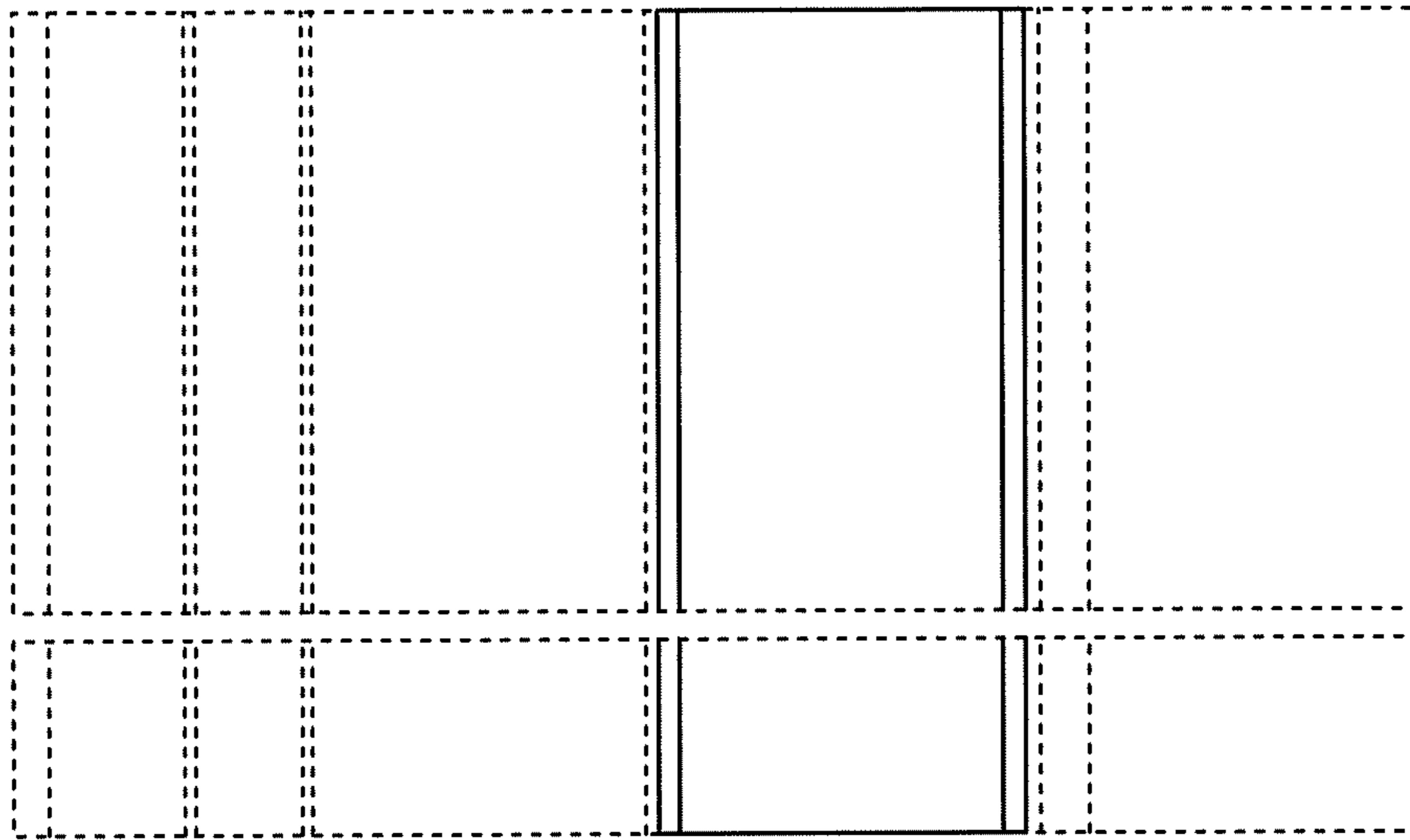


FIG. 6