



US00D905271S

(12) **United States Design Patent** (10) **Patent No.:** **US D905,271 S**
Johnsen et al. (45) **Date of Patent:** **** Dec. 15, 2020**

(54) **BIOLOGICAL SAMPLE CONTAINER**

(71) Applicant: **Ambu A/S**, Ballerup (DK)

(72) Inventors: **Lasse Markworth Johnsen**, Birkerød (DK); **Jonas Hjortlund**, Copenhagen S (DK)

(73) Assignee: **AMBU A/S**, Ballerup (DK)

(**) Term: **15 Years**

(21) Appl. No.: **29/738,625**

(22) Filed: **Jun. 18, 2020**

Related U.S. Application Data

(62) Division of application No. 29/672,062, filed on Dec. 3, 2018, now Pat. No. Des. 893,744.

(30) **Foreign Application Priority Data**

Jun. 7, 2018 (EM) 005301231

(51) **LOC (12) Cl.** **24-02**

(52) **U.S. Cl.**
USPC **D24/224**

(58) **Field of Classification Search**
USPC D24/107, 121-123, 216-217, 219, D24/223-227, 229-231, 232; D9/504, D9/516, 519, 529, 549, 574, 715, 719; D3/201, 203.1, 203.2
CPC B29C 65/665; A61B 10/0045
See application file for complete search history.

(56) **References Cited**

U.S. PATENT DOCUMENTS

D558,357 S * 12/2007 Byrd D24/224
D618,362 S * 6/2010 Giraud D24/224
7,850,922 B2 * 12/2010 Gallagher B01L 3/5029
422/501
7,915,032 B2 * 3/2011 Ostrowski A61B 10/0045
422/411
D659,848 S * 5/2012 TerMaat D24/224
D707,364 S * 6/2014 Spencer D24/224

D732,684 S * 6/2015 Ooi D24/224
D773,055 S * 11/2016 Krauss D10/81
D808,809 S * 1/2018 Krafft D9/504
D856,148 S * 8/2019 Lucas, Jr. D9/523
D860,472 S * 9/2019 Blake D24/224

(Continued)

FOREIGN PATENT DOCUMENTS

JP D2016-24225 * 9/2017

OTHER PUBLICATIONS

Ambu® aScope BronchoSampler™. Online, published date Sep. 2018. Retrieved on Jul. 18, 2020 from URL: http://carestreammedical.com/wp-content/uploads/IE_aScope_BronchoSampler_datasheet_493480100_V01_0918-1.pdf.*

Primary Examiner — Susan Bennett Hattan

Assistant Examiner — Omeed Agilee

(74) *Attorney, Agent, or Firm* — Faegre Drinker Biddle & Reath LLP

(57) **CLAIM**

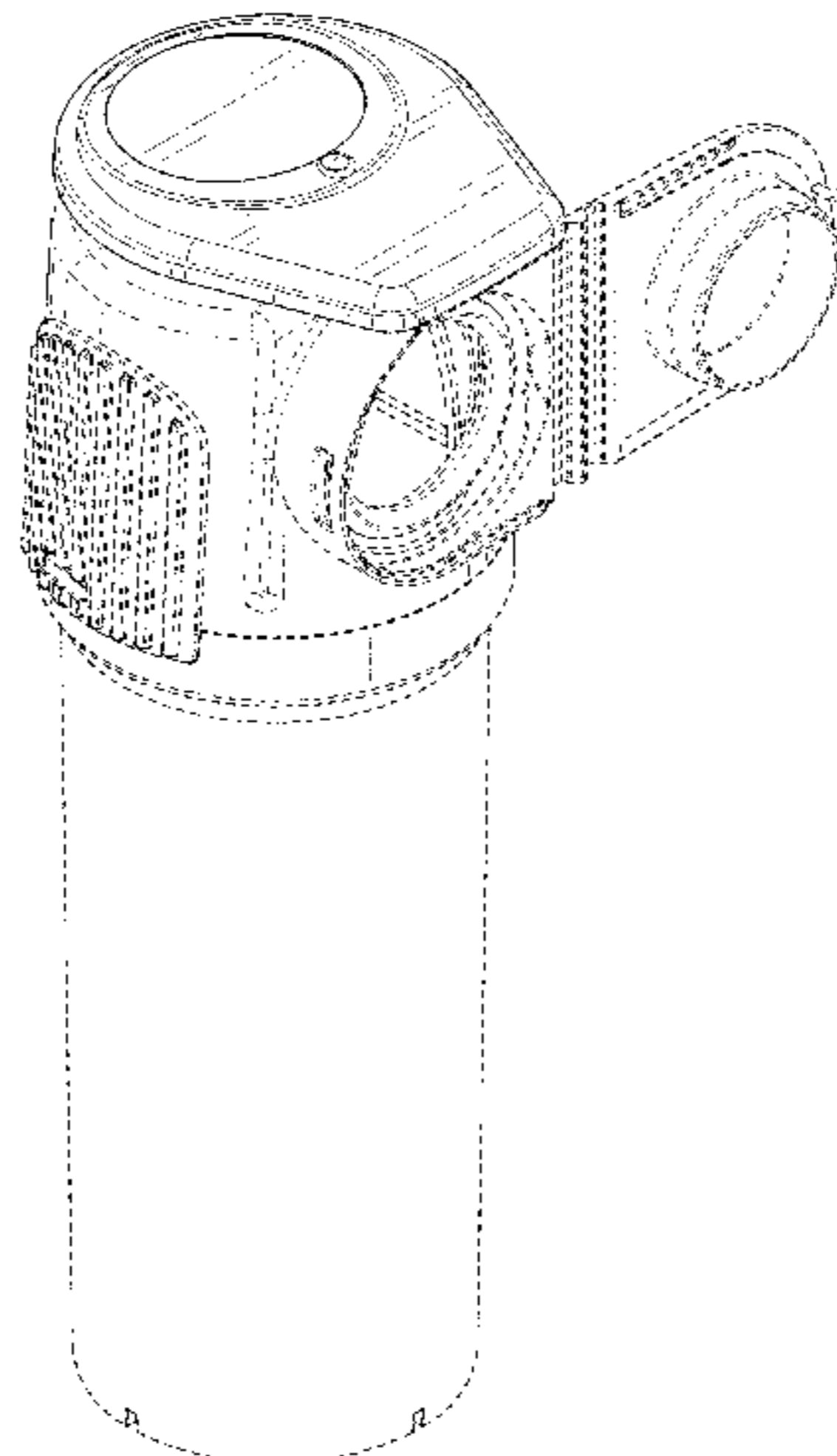
The ornamental design for a biological sample container, as shown and described.

DESCRIPTION

FIG. 1 is a front perspective view of a biological sample container showing our new design; FIG. 2 is a left side view thereof; FIG. 3 is a front view thereof; FIG. 4 is a rear view thereof; FIG. 5 is a right side view thereof; FIG. 6 is a top view thereof; and, FIG. 7 is a bottom view thereof.

The broken lines in the drawings depict portions of the biological sample container that form no part of the claimed design.

1 Claim, 7 Drawing Sheets



(56)

References Cited

U.S. PATENT DOCUMENTS

D870,312 S * 12/2019 Aoki D24/216
D881,410 S * 4/2020 Motadel D24/224

* cited by examiner

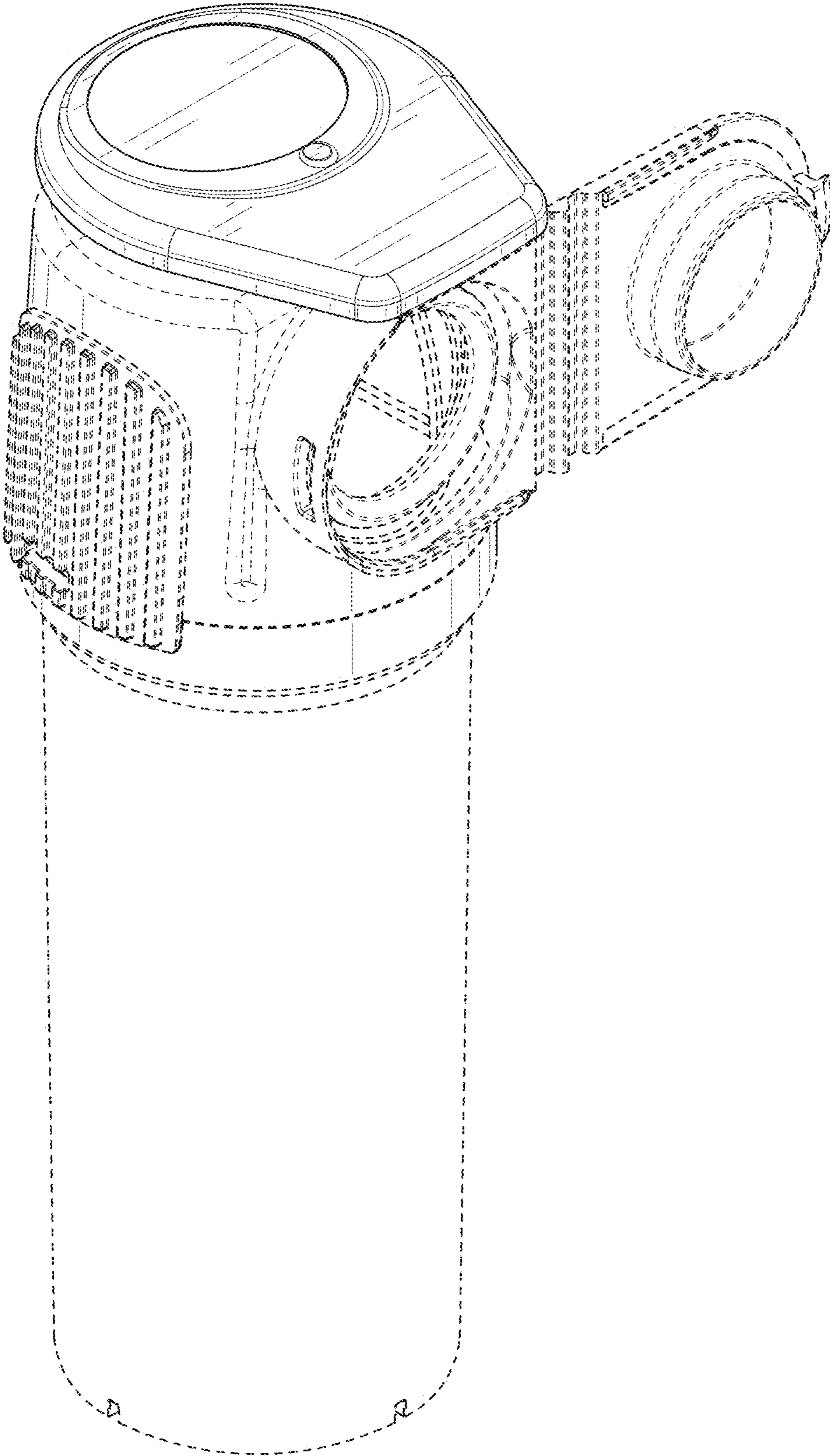


FIG. 1

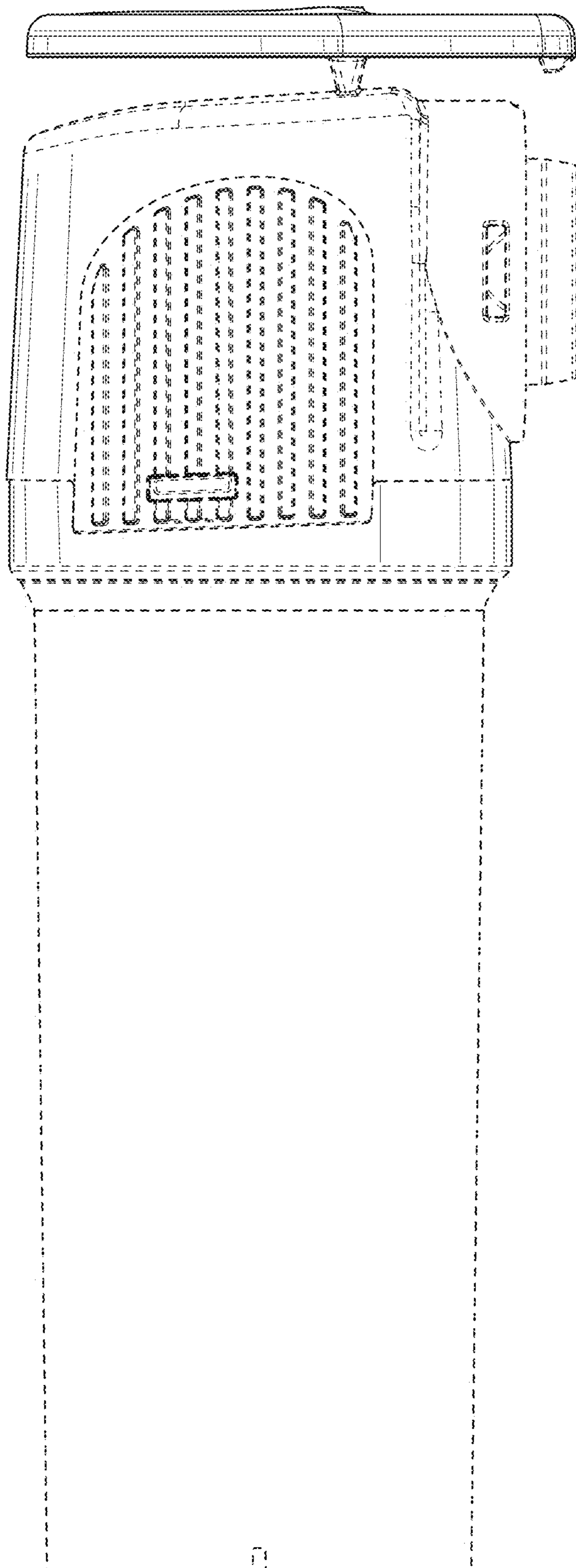


FIG. 2

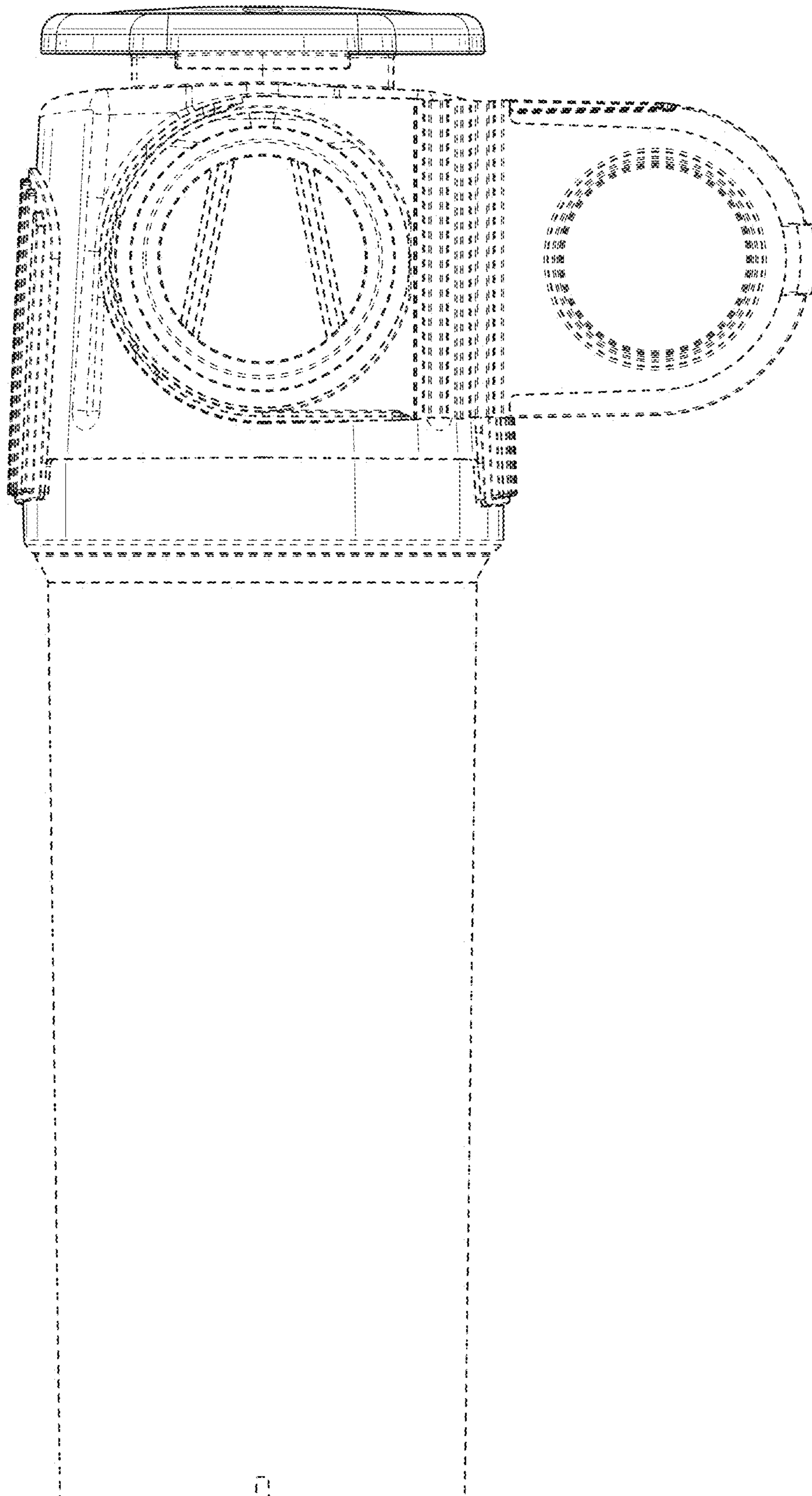


FIG. 3

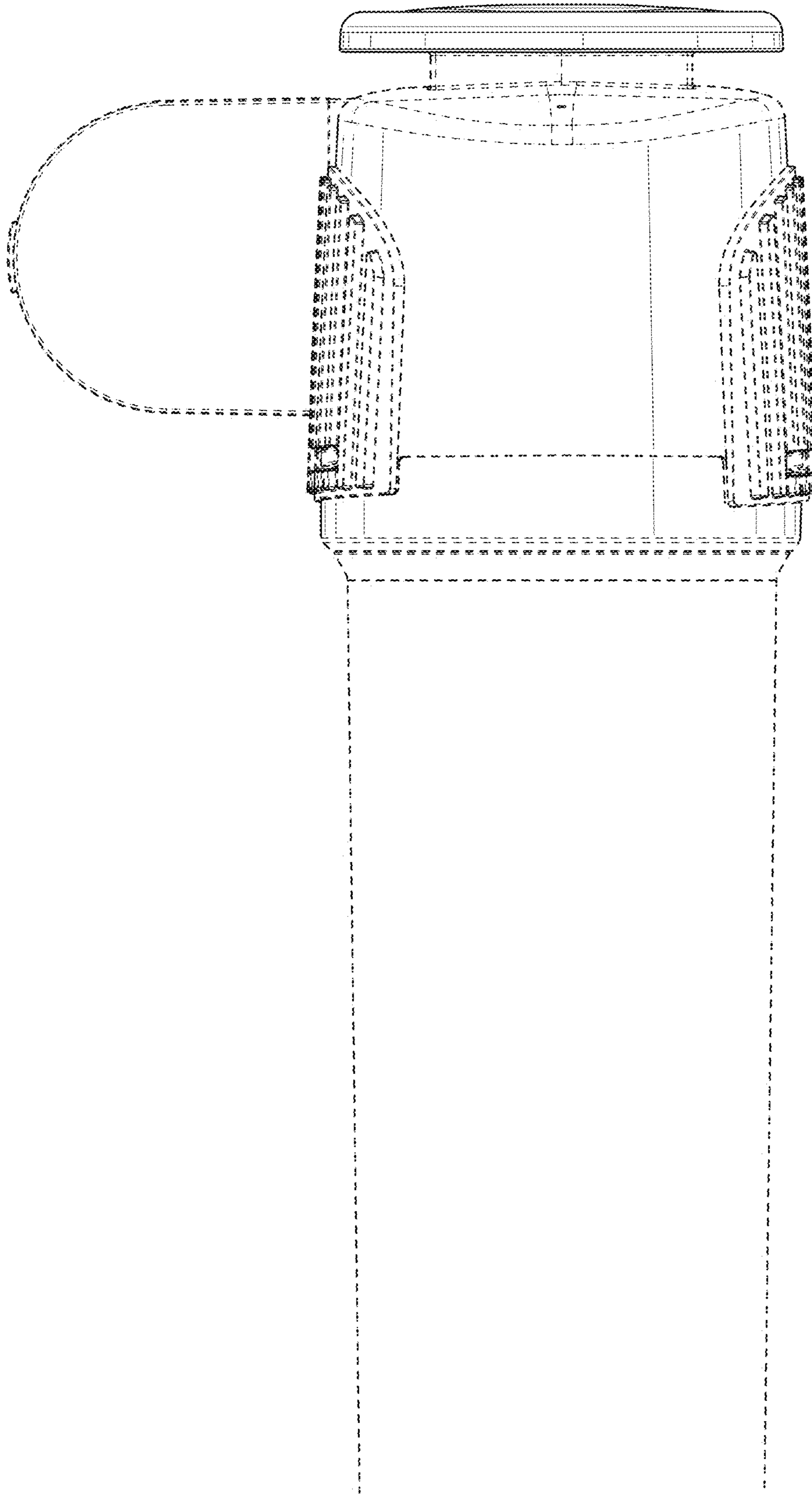


FIG. 4

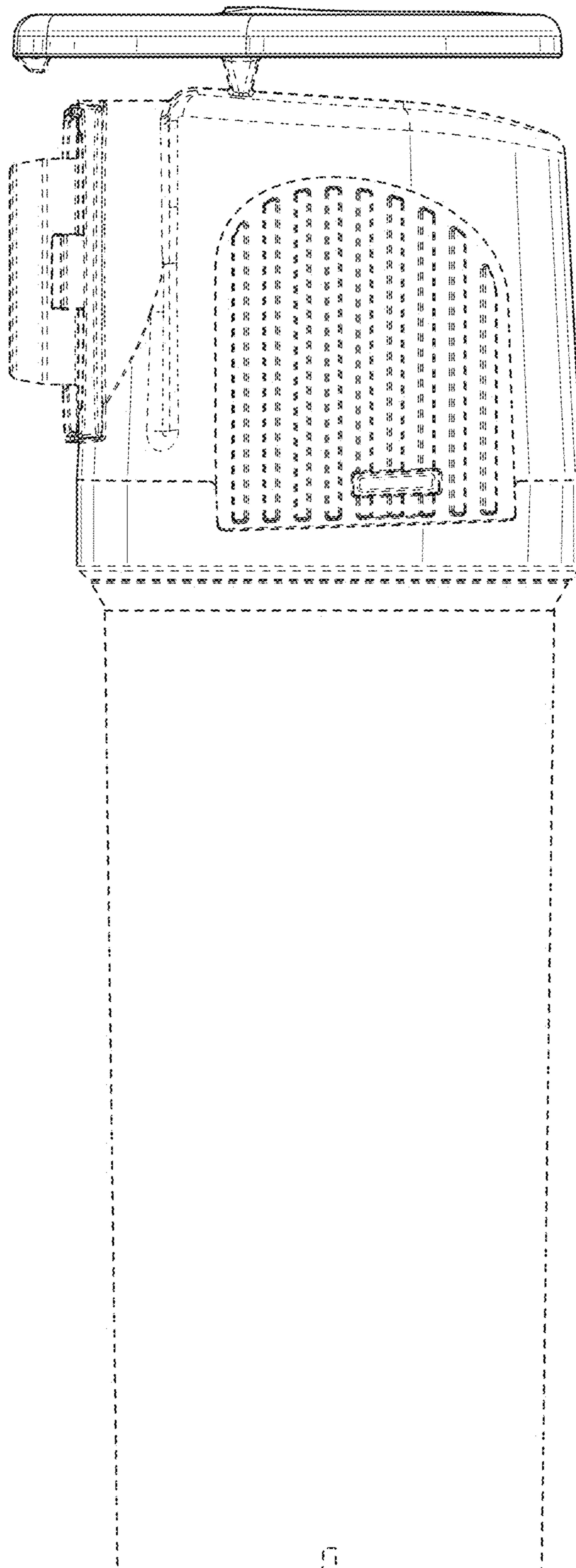


FIG. 5

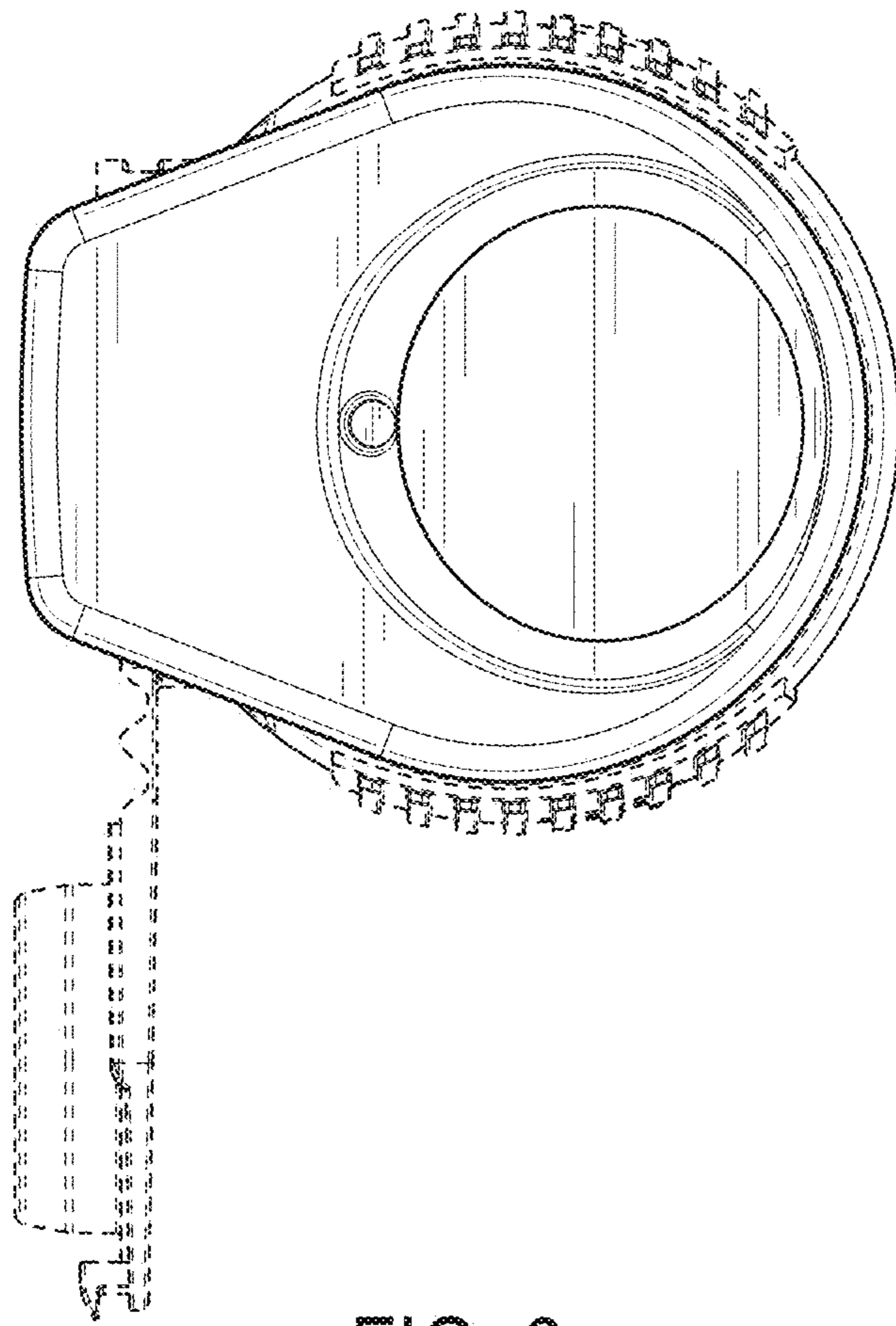


FIG. 6

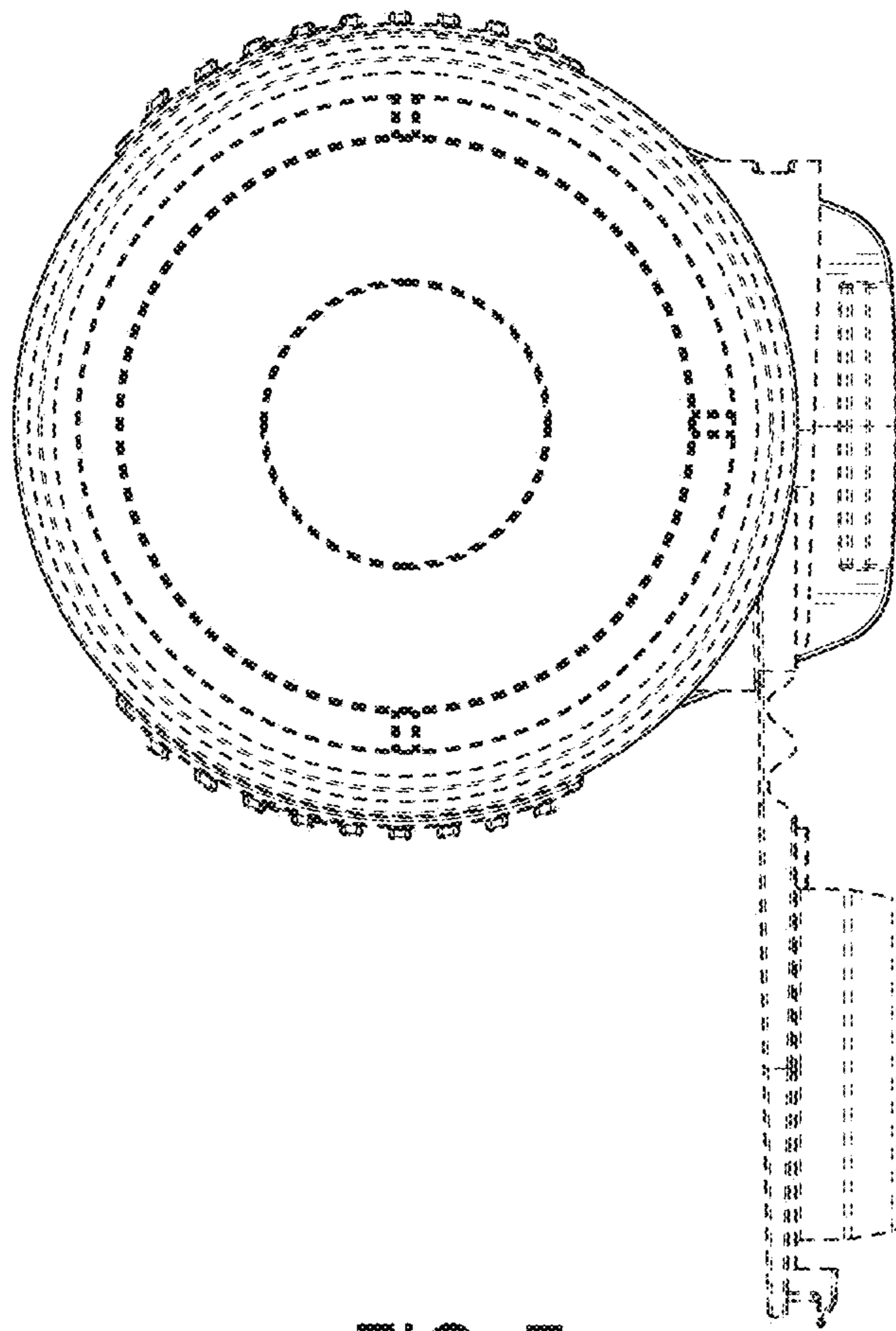


FIG. 7