



US00D905270S

(12) **United States Design Patent** (10) **Patent No.:** **US D905,270 S**
Katsumata et al. (45) **Date of Patent:** **** Dec. 15, 2020**

(54) **LID FOR A CULTURE VESSEL**

FOREIGN PATENT DOCUMENTS

(71) Applicant: **HAMAMATSU PHOTONICS K.K.**,
Hamamatsu (JP)

JP 1563811 S ‡ 11/2016
JP 1563910 S ‡ 11/2016

(Continued)

(72) Inventors: **Masakazu Katsumata**, Hamamatsu
(JP); **Yuko Kobayashi**, Hamamatsu
(JP); **Ayano Takeuchi**, Hamamatsu
(JP); **Yukiko Sato**, Hamamatsu (JP)

OTHER PUBLICATIONS

<https://www.sears.com/bormioli-rocco-bormioli-rocco-glass-co-6-piece/p-SPM8779322623> (May 19, 2020).*

(Continued)

(73) Assignee: **HAMAMATSU PHOTONICS K.K.**,
Hamamatsu (JP)

Primary Examiner — Susan Bennett Hattan

Assistant Examiner — Rebecca Tsehaye

(**) Term: **15 Years**

(21) Appl. No.: **29/692,362**

(74) *Attorney, Agent, or Firm* — Faegre Drinker Biddle & Reath LLP

(22) Filed: **May 24, 2019**

Related U.S. Application Data

(62) Division of application No. 29/537,313, filed on Aug. 25, 2015, now Pat. No. Des. 855,203.

(57) **CLAIM**

The ornamental design for a lid for a culture vessel, as shown and described.

(30) **Foreign Application Priority Data**

DESCRIPTION

Mar. 13, 2015 (JP) 2015-005497
Mar. 13, 2015 (JP) 2015-005498
Mar. 13, 2015 (JP) 2015-005499

FIG. 1 is a front view of a lid for a culture vessel of the present invention.

FIG. 2 is a rear view of the lid for a culture vessel of FIG. 1.

(51) **LOC (12) Cl.** **24-02**

(52) **U.S. Cl.**
USPC **D24/224**

FIG. 3 is a top plan view of the lid for a culture vessel of FIG. 1.

FIG. 4 is a bottom view of the lid for a culture vessel of FIG. 1.

(58) **Field of Classification Search**
USPC D24/107, 216, 224; D9/763, 779, 780,
D9/772, 767, 738; D7/372, 387, 412,
(Continued)

FIG. 5 is a right side view of the lid for a culture vessel of FIG. 1.

FIG. 6 is a left side view of the lid for a culture vessel of FIG. 1.

(56) **References Cited**

U.S. PATENT DOCUMENTS

750,578 A ‡ 1/1904 Bostwick et al. B63B 29/12
114/19
2,598,987 A * 6/1952 Franzen B65D 51/246
215/228

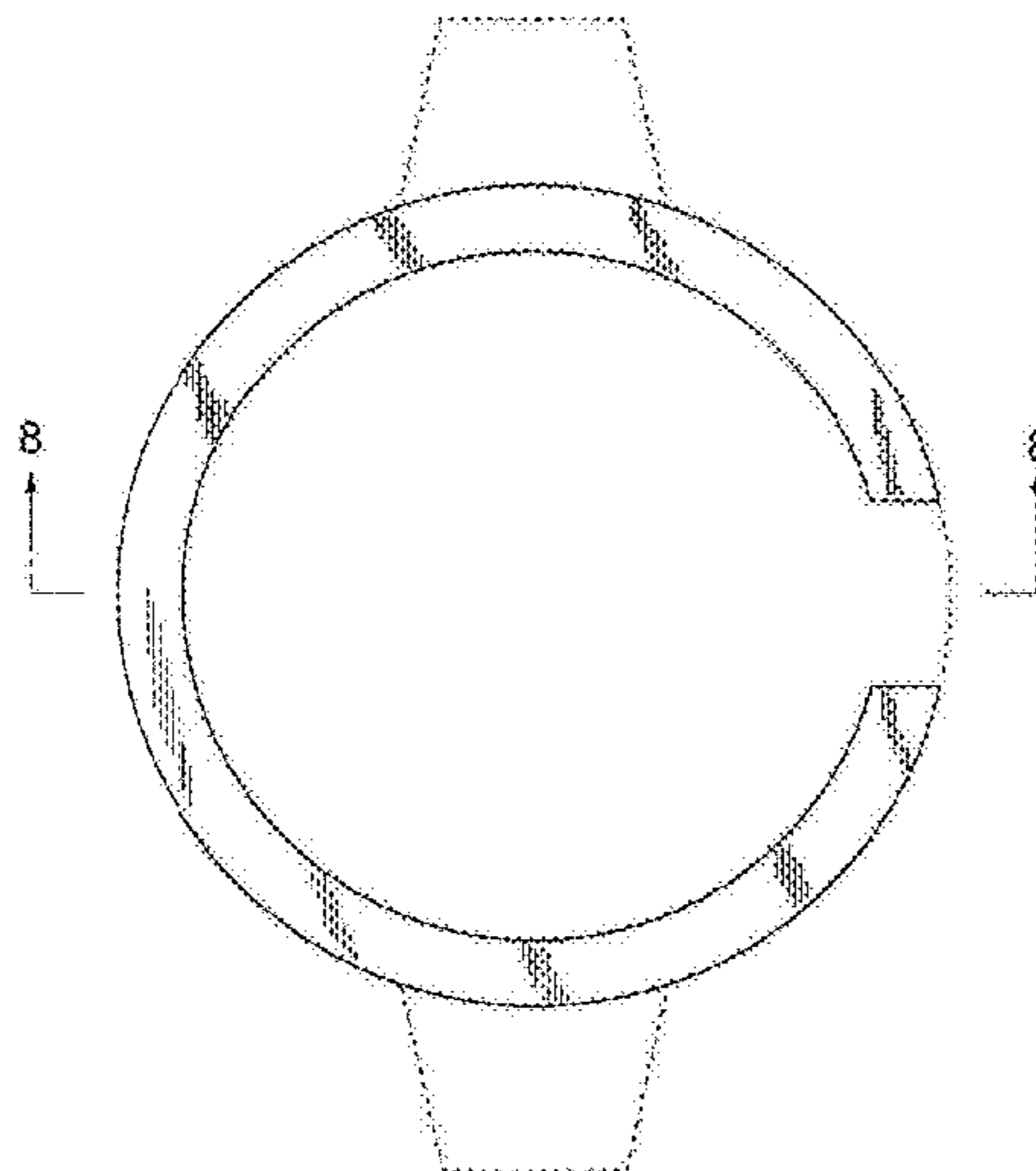
FIG. 7 is a perspective view of the lid for a culture vessel of FIG. 1; and,

FIG. 8 is a sectional view of the lid for a culture vessel of FIG. 1, taken along the line 8-8 of FIG. 1.

The features shown in dotted lines depict environmental subject matter only and form no part of the claimed design.

(Continued)

1 Claim, 8 Drawing Sheets



(58) **Field of Classification Search**

USPC D7/414, 584, 668, 679; 215/228;
 229/125.03; 435/305.1; 206/236;
 369/275.1, 289.1, 290.1, 291.1; 220/200,
 220/241, 257.2, 269, 270, 216, 223, 230
 CPC . B65D 5/28; B65D 43/00; B65D 3/04; B65D
 3/06; A47G 21/04; G11B 7/24
 See application file for complete search history.

(56) **References Cited**

U.S. PATENT DOCUMENTS

3,931,925 A ‡ 1/1976 Ruff A47G 21/04
 229/125.03
 D238,886 S * 2/1976 Goy D24/224
 3,974,916 A ‡ 8/1976 Bartolucci B65D 43/00
 116/307
 D283,128 S 3/1986 Bate
 D295,319 S ‡ 4/1988 Franchere D24/224
 D315,208 S * 3/1991 Valencia D24/224
 5,011,010 A ‡ 4/1991 Francis G11B 33/0427
 206/307
 5,425,451 A ‡ 6/1995 Blase G11B 33/0427
 206/30
 5,715,934 A ‡ 2/1998 Tobol B65C 9/265
 206/23
 5,769,263 A ‡ 6/1998 Willingham B65D 51/28
 215/228
 5,787,069 A ‡ 7/1998 Lowe G11B 7/24
 369/283
 D408,590 S ‡ 4/1999 Litton D28/82
 6,311,860 B1 ‡ 11/2001 Reidinger B65D 51/25
 215/228
 D462,864 S * 9/2002 Myszka D6/407
 7,002,895 B1 ‡ 2/2006 Taussig G11B 7/007
 369/275.1
 7,409,698 B2 ‡ 8/2008 Tjensvold G11B 23/0313
 720/719
 D605,303 S ‡ 12/2009 Monks D24/224
 D634,188 S ‡ 3/2011 Sellari D9/424
 7,936,660 B2 ‡ 5/2011 Vast G06K 19/045
 369/275.3
 8,038,512 B2 ‡ 10/2011 Saito C03C 15/00
 451/41
 8,418,353 B1 4/2013 Moravec et al.
 8,557,361 B2 * 10/2013 Hardin G11B 7/252
 428/64.1
 D698,939 S * 2/2014 Wainwright D24/224
 8,678,222 B2 ‡ 3/2014 Thorpe A45C 13/008
 132/293

8,701,881 B2 ‡ 4/2014 Gibson A24F 23/00
 206/236
 D734,436 S ‡ 7/2015 Raether D23/259
 D750,578 S ‡ 3/2016 Chu et al.
 D760,591 S ‡ 7/2016 Groglopo Favetto D9/500
 D776,295 S ‡ 1/2017 Wainwright D24/224
 D776,354 S ‡ 1/2017 Schlatter D28/85
 D781,151 S ‡ 3/2017 Lerman D9/500
 D831,842 S * 10/2018 Katsumata D24/224
 D855,203 S * 7/2019 Katsumata D24/224
 D870,314 S * 12/2019 Isozaki D24/224
 D871,609 S * 12/2019 Isozaki D24/224
 2011/0097790 A1 ‡ 4/2011 Yerbic C12M 23/10
 435/305.1

FOREIGN PATENT DOCUMENTS

TW 122714 ‡ 5/2008
 TW 143792 ‡ 11/2011
 TW 163532 10/2014

OTHER PUBLICATIONS

Notice of Allowance and Fee(s) Due dated Jun. 19, 2018 in U.S. Appl. No. 29/535,375. ‡
 Google search, QRP Reusable Silicone “https://www.amazon.com/Reusable-Silicone-INSIDE-REGULAR-Plastic/dp/B00MQYQSUO/ref=pd_sim_79_2?encoding=UTF8&pd_rd_i=B00MQYQSUO&pd_rd_r=15Q6CV9GWT9E2GQAWSQJ&pd_rd_w=7RD0e&pd_rd_wg=JEx71&psc=1&refRID=15Q6CV9GWT9E2GQAWSQJ” (May 10, 2018). ‡
 Google search, QRP Quality Reliable Products “https://www.amazon.com/GROMMETS-Silicone-fermenting-Quantities-Available/dp/B00KTJXOBO/ref=pd_sim_79_5?encoding=UTF8&pd_rd_i=B00KTJXOBO&pd_rd_r=QTN09CESKGRNBX358SDT&pd_rd_w=YRYyd&pd_rd_wg=vPmFZ&psc=1&refRID=QTN09CESKGRNBX358SDT” (May 10, 2018). ‡
 Google search, QRP Reusable Silicone “https://www.amazon.com/Reusable-Silicone-INSIDE-REGULAR-Plastic/dp/B00MQYQSUO/dp/B00MQYQSUO&pd_rd_r=15Q6CV9GWT9E2GQAWSQJ&pd_w=7RD0e&pd_rd_wg=JEx71&psc=1&refRID=15Q6CV9GWT9E2GQAWSQJ” (May 10, 2018).
 Google search, QRP Quality Reliable Products “https://www.amazon.com/GROMMETS-Silicone-fermenting-Quantities-Available/dp/BOOKTJXOBO/ref=pd_sim_79_5?encoding=UTF8&pd_rd_i=BOOKTJXOBO&pd_rd_r=QTN09CESKGRNBX358SDT&pd_rd_w=YRYyd&pd_rd_wg=vPmFZ&psc=1&refRID=QTN09CESKGRNBX358SDT” (May 10, 2018).
 Office Action dated May 29, 2020 in Design U.S. Appl. No. 29/663,705.

* cited by examiner
 ‡ imported from a related application

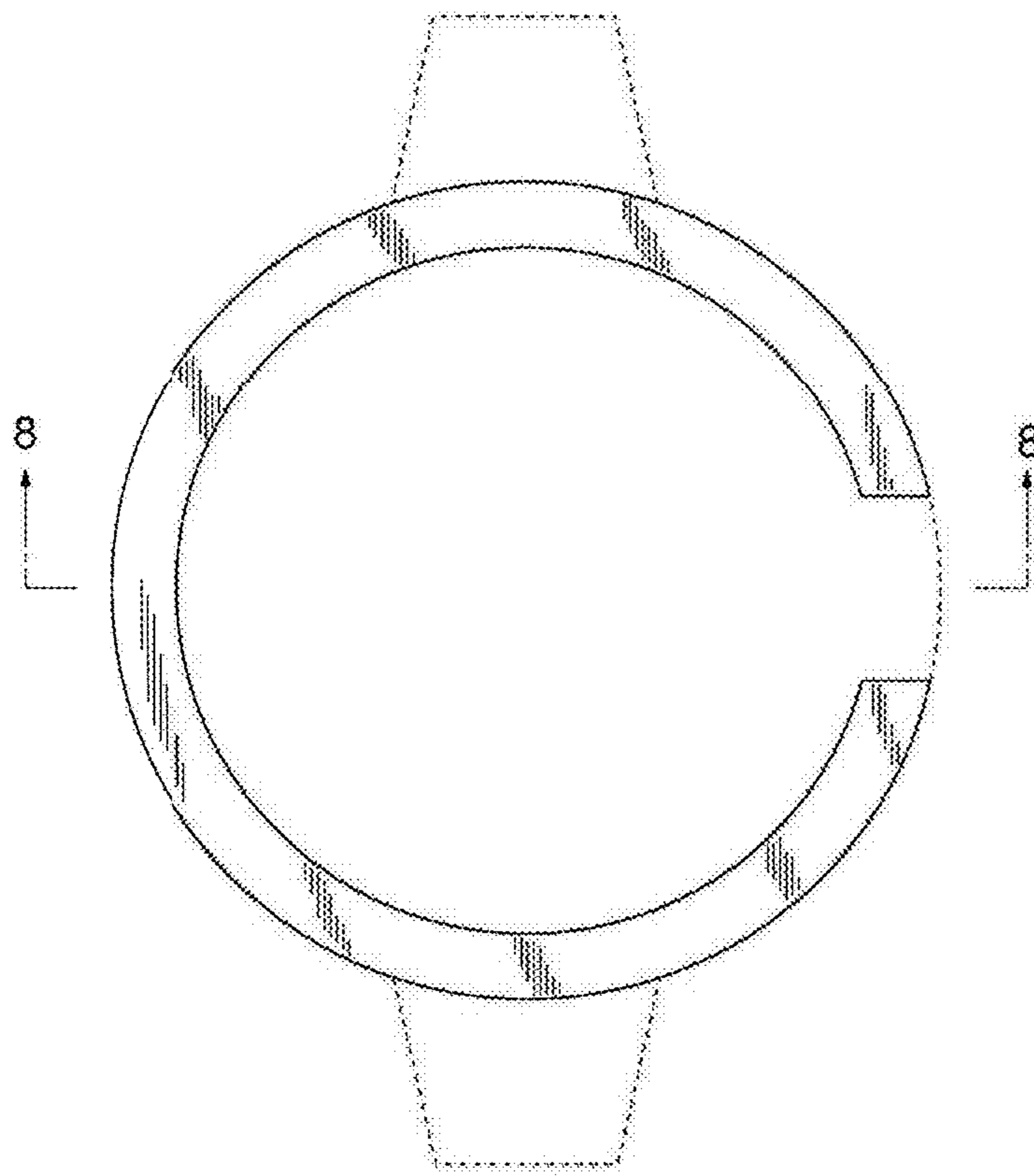


FIG. 1

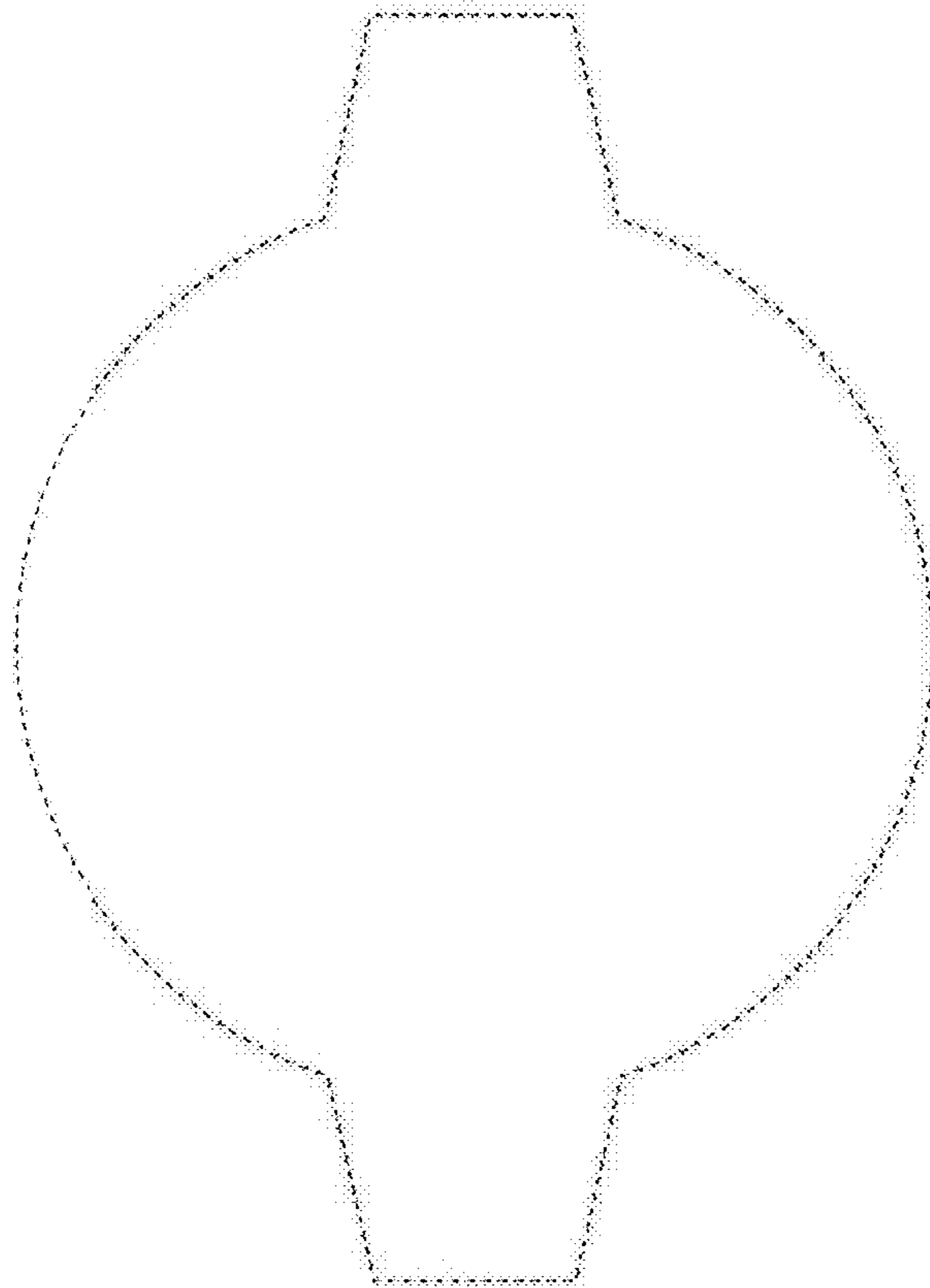


FIG. 2

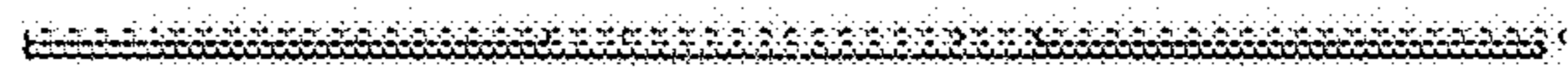


FIG. 3

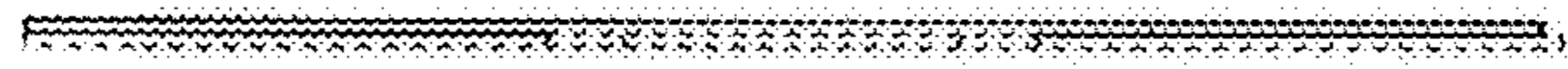


FIG. 4

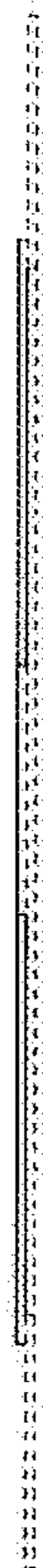


FIG. 5

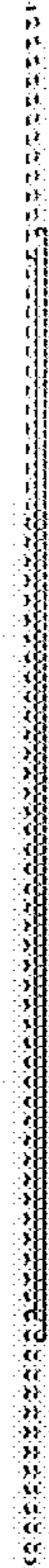


FIG. 6

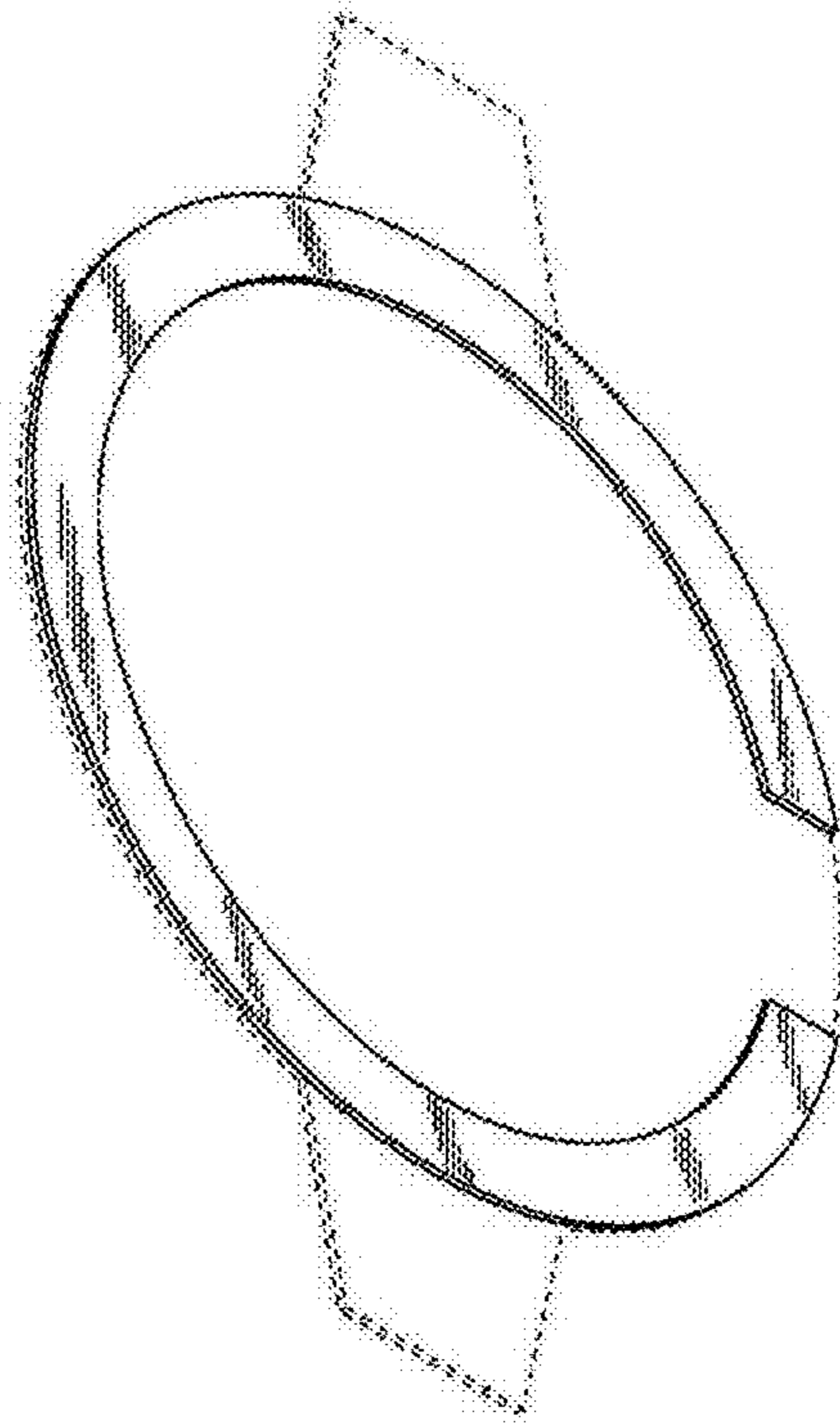


FIG. 7

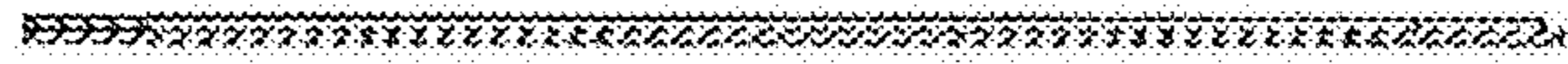


FIG. 8