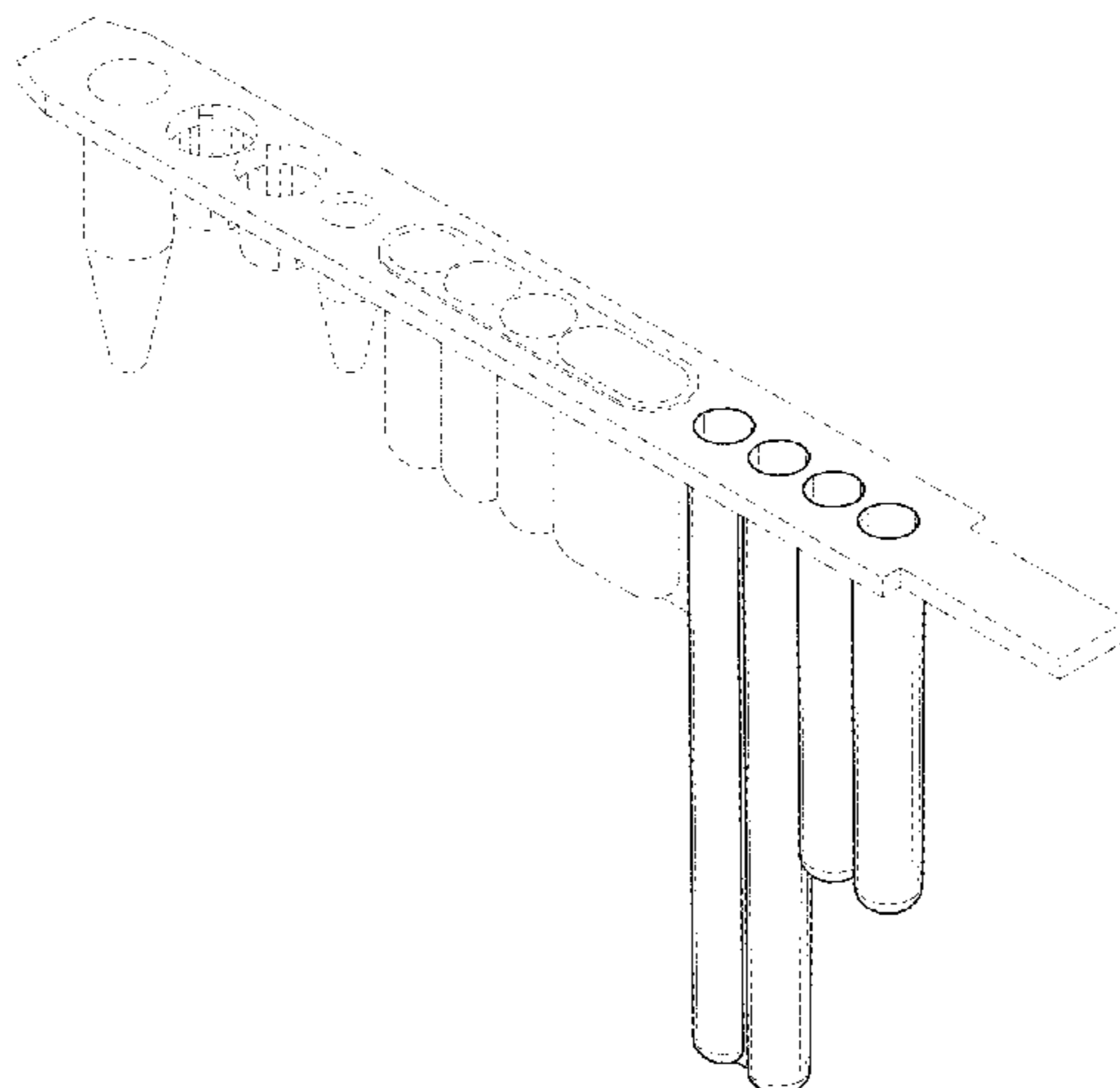




US00D905269S

(12) **United States Design Patent** (10) **Patent No.:** **US D905,269 S**
Lentz et al. (45) **Date of Patent:** **** Dec. 15, 2020**

- (54) **SINGLE PIECE REAGENT HOLDER** 4,018,652 A 4/1977 Lanham et al.
 4,038,192 A 7/1977 Serur
 (71) Applicant: **BECTON, DICKINSON AND** 4,055,395 A 10/1977 Honkawa et al.
COMPANY, Franklin Lakes, NJ (US) D249,706 S 9/1978 Adamski
 4,139,005 A 2/1979 Dickey
 (72) Inventors: **Ammon David Lentz**, York, PA (US); D252,157 S 6/1979 Kronish et al.
Richard St. Pierre, Québec (CA); D252,341 S 7/1979 Thomas
Dwight Livingston, Fallston, MD (US); D254,687 S 4/1980 Fadler et al.
Adam Bruce Steel, Fallston, MD (US) 4,212,744 A 7/1980 Oota
 D261,033 S 9/1981 Armbruster
 (73) Assignee: **Becton, Dickinson and Company**, 10/1981 Armbruster
 Franklin Lakes, NJ (US) 4,301,412 A 11/1981 Hill et al.
 4,439,526 A 3/1984 Columbus
 (**) Term: **15 Years** 4,457,329 A 7/1984 Werley et al.
 4,466,740 A 8/1984 Kano et al.
 (21) Appl. No.: **29/667,419** 4,472,357 A 9/1984 Levy et al.
 4,504,582 A 3/1985 Swann
 (22) Filed: **Oct. 22, 2018** 4,522,786 A 6/1985 Ebersole
 D279,817 S 7/1985 Chen et al.
 D282,208 S 1/1986 Lowry
Related U.S. Application Data 4,599,315 A 7/1986 Terasaki et al.
 (62) Division of application No. 29/540,566, filed on Sep. 4,612,873 A 9/1986 Eberle
 25, 2015, now Pat. No. Des. 831,843, which is a 4,612,959 A 9/1986 Costello
 division of application No. 29/470,378, filed on Oct. 2/1987 Carlson et al.
 21, 2013, now Pat. No. Des. 742,027, which is a 4,647,432 A 3/1987 Wakatake
 division of application No. 29/403,131, filed on Sep. 4,654,127 A 3/1987 Baker et al.
 30, 2011, now Pat. No. Des. 692,162. 4,673,657 A 6/1987 Christian
 4,675,299 A * 6/1987 Witty B01L 3/502
 (51) **LOC (12) Cl.** **24-01** 206/569
 (52) **U.S. Cl.** 4,678,752 A 7/1987 Thorne et al.
 USPC **D24/224** 4,683,195 A 7/1987 Mullis et al.
 4,683,202 A 7/1987 Mullis
 (58) **Field of Classification Search** D292,735 S 11/1987 Lovborg
 USPC D24/107, 186, 216, 219, 220, 221, 4,720,374 A 1/1988 Ramachandran
 D24/223-227, 231, 232; D10/81 4,724,207 A 2/1988 Hou et al.
 CPC B01L 3/5027; B01L 3/50273; B01L 4,798,693 A 1/1989 Mase et al.
 3/502738; B01L 2300/0609; B01L 4,800,022 A 1/1989 Leonard
 2300/0672; B01L 2300/0829; B01L 4,827,944 A 5/1989 Nugent
 2200/025; B01L 2200/026; B01L 4,841,786 A 6/1989 Schulz
 2200/028; B01L 2200/16; G01N 21/01; D302,294 S 7/1989 Hillman
 G01N 21/75 4,855,110 A 8/1989 Marker et al.
 4,871,779 A 10/1989 Killat et al.
 See application file for complete search history. 4,895,650 A 1/1990 Wang
 4,919,829 A 4/1990 Gates et al.
 (56) **References Cited** 4,921,809 A 5/1990 Schiff et al.
 U.S. PATENT DOCUMENTS 4,935,342 A 6/1990 Seligson et al.
 D189,404 S 12/1960 Nicolle 4,946,562 A 8/1990 Guruswamy
 3,050,239 A 8/1962 Williams 4,949,742 A 8/1990 Rando et al.
 3,905,772 A 9/1975 Hartnett et al. D310,413 S 9/1990 Bigler et al.
 3,985,649 A 10/1976 Eddelman 4,963,498 A 10/1990 Hillman
 4,018,089 A 4/1977 Dzula et al. 4,967,950 A 11/1990 Legg et al.
 D312,692 S 12/1990 Bradley
 4,978,502 A 12/1990 Dole et al.



US D905,269 S

Page 2

4,978,622 A	12/1990	Mishell et al.	5,585,069 A	12/1996	Zanucchi et al.
4,989,626 A	2/1991	Takagi et al.	5,585,089 A	12/1996	Queen et al.
5,001,417 A	3/1991	Pumphrey et al.	5,585,242 A	12/1996	Bouma et al.
5,004,583 A	4/1991	Guruswamy et al.	5,587,128 A	12/1996	Wilding et al.
5,048,554 A	9/1991	Kremer	5,589,136 A	12/1996	Northrup et al.
5,053,199 A	10/1991	Keiser et al.	5,593,838 A	1/1997	Zanzucchi et al.
5,060,823 A	10/1991	Perlman	5,595,708 A	1/1997	Berndt
5,061,336 A	10/1991	Soane	5,599,432 A	2/1997	Manz et al.
5,064,618 A	11/1991	Baker et al.	5,599,503 A	2/1997	Manz et al.
5,071,531 A	12/1991	Soane	5,599,667 A	2/1997	Arnold, Jr. et al.
5,091,328 A	2/1992	Miller	5,601,727 A	2/1997	Bormann et al.
D324,426 S	3/1992	Fan et al.	5,603,351 A	2/1997	Cherukuri et al.
5,096,669 A	3/1992	Lauks et al.	5,605,662 A	2/1997	Heller et al.
D325,638 S	4/1992	Sloat et al.	5,609,910 A	3/1997	Hackleman
5,126,002 A	6/1992	Iwata et al.	D378,782 S	4/1997	LaBarbera et al.
5,126,022 A	6/1992	Soane et al.	5,628,890 A	5/1997	Carter et al.
D328,135 S	7/1992	Fan et al.	5,630,920 A	5/1997	Friese et al.
D328,794 S	8/1992	Frenkel et al.	5,631,337 A	5/1997	Sassi et al.
5,135,627 A	8/1992	Soane	5,632,876 A	5/1997	Zanzucchi et al.
5,135,872 A	8/1992	Pouletty et al.	5,632,957 A	5/1997	Heller et al.
5,147,606 A	9/1992	Charlton et al.	5,635,358 A	6/1997	Wilding et al.
5,169,512 A	12/1992	Wiedenmann et al.	5,637,469 A	6/1997	Wilding et al.
D333,522 S	2/1993	Gianino	5,639,423 A	6/1997	Northrup et al.
5,186,339 A	2/1993	Heissler	5,639,428 A	6/1997	Cottingham
5,192,507 A	3/1993	Taylor et al.	5,643,738 A	7/1997	Zanzucchi et al.
5,208,163 A	5/1993	Charlton et al.	5,645,801 A	7/1997	Bouma et al.
5,217,694 A	6/1993	Gibler et al.	5,646,039 A	7/1997	Northrup et al.
5,223,226 A	6/1993	Wittmer et al.	5,646,049 A	7/1997	Tayi
5,229,297 A	7/1993	Schnipelsky et al.	5,647,994 A	7/1997	Tuunanen et al.
D338,275 S	8/1993	Fischer et al.	5,651,839 A	7/1997	Rauf
5,250,263 A	10/1993	Manz	5,652,141 A	7/1997	Henco et al.
5,252,743 A	10/1993	Barrett et al.	5,652,149 A	7/1997	Mileaf et al.
5,256,376 A	10/1993	Callan et al.	D382,346 S	8/1997	Buhler et al.
5,275,787 A	1/1994	Yuguchi et al.	D382,647 S	8/1997	Staples et al.
5,282,950 A	2/1994	Dietze et al.	5,667,976 A	9/1997	Van Ness et al.
5,296,375 A	3/1994	Kricka et al.	5,671,303 A	9/1997	Shieh et al.
5,304,477 A	4/1994	Nagoh et al.	5,674,394 A	10/1997	Whitmore
5,304,487 A	4/1994	Wilding et al.	5,674,742 A	10/1997	Northrup et al.
D347,478 S	5/1994	Pinkney	5,681,484 A	10/1997	Zanzucchi et al.
5,311,896 A	5/1994	Kaartinen et al.	5,681,529 A	10/1997	Taguchi et al.
5,311,996 A	5/1994	Duffy et al.	5,683,657 A	11/1997	Mian
5,316,727 A	5/1994	Suzuki et al.	5,699,157 A	12/1997	Parce et al.
5,327,038 A	7/1994	Culp	5,700,637 A	12/1997	Southern
5,339,486 A	8/1994	Persic, Jr.	5,705,813 A	1/1998	Apffel et al.
D351,475 S	10/1994	Gerber	5,721,136 A	2/1998	Finney et al.
D351,913 S	10/1994	Hieb et al.	5,725,831 A	3/1998	Reichler et al.
5,364,591 A	11/1994	Green et al.	5,726,026 A	3/1998	Wilding et al.
5,372,946 A	12/1994	Cusak et al.	5,726,404 A	3/1998	Brody
5,374,395 A	12/1994	Robinson	5,726,944 A	3/1998	Pelley et al.
5,389,339 A	2/1995	Petschek et al.	5,731,212 A	3/1998	Gavin et al.
D356,232 S	3/1995	Armstrong et al.	5,744,366 A	4/1998	Kricka et al.
5,397,709 A	3/1995	Berndt	5,746,978 A	5/1998	Bienhaus et al.
5,401,465 A	3/1995	Smethers et al.	5,747,666 A	5/1998	Willis
5,411,708 A	5/1995	Moscetta et al.	5,750,015 A	5/1998	Soane et al.
5,414,245 A	5/1995	Hackleman	5,755,942 A	5/1998	Zanzucchi et al.
5,415,839 A	5/1995	Zaun et al.	5,762,874 A	6/1998	Seaton et al.
5,416,000 A	5/1995	Allen et al.	5,763,262 A	6/1998	Wong et al.
5,422,271 A	6/1995	Chen et al.	5,770,029 A	6/1998	Nelson et al.
5,422,284 A	6/1995	Lau	5,770,388 A	6/1998	Vorpahl
5,427,946 A	6/1995	Kricka et al.	5,772,966 A	6/1998	Maracas et al.
5,443,791 A	8/1995	Cathcart et al.	5,779,868 A	7/1998	Parce et al.
5,474,796 A	12/1995	Brennan	5,783,148 A	7/1998	Cottingham et al.
D366,116 S	1/1996	Biskupski	5,787,032 A	7/1998	Heller et al.
5,486,335 A	1/1996	Wilding et al.	5,788,814 A	8/1998	Sun et al.
5,494,639 A	2/1996	Grzegorzewski	5,800,600 A	9/1998	Lima-Marques et al.
5,498,392 A	3/1996	Wilding et al.	5,800,690 A	9/1998	Chow et al.
5,503,803 A	4/1996	Brown	5,804,436 A	9/1998	Okun et al.
5,516,410 A	5/1996	Schneider et al.	D399,959 S	10/1998	Prokop et al.
5,519,635 A	5/1996	Miyake et al.	5,827,481 A	10/1998	Bente et al.
5,529,677 A	6/1996	Schneider et al.	5,842,106 A	11/1998	Thaler et al.
5,559,432 A	9/1996	Logue	5,842,787 A	12/1998	Kopf-Sill et al.
5,565,171 A	10/1996	Dovich et al.	5,846,396 A	12/1998	Zanzucchi et al.
5,569,364 A	10/1996	Hooper et al.	5,846,493 A	12/1998	Bankier et al.
5,578,270 A	11/1996	Reichler et al.	5,849,208 A	12/1998	Hayes et al.
5,578,818 A	11/1996	Kain et al.	5,849,486 A	12/1998	Heller et al.
5,579,928 A	12/1996	Anukwuem	5,849,489 A	12/1998	Heller
5,580,523 A	12/1996	Bard	5,849,598 A	12/1998	Wilson et al.
5,582,884 A	12/1996	Ball et al.	5,852,495 A	12/1998	Parce
5,582,988 A	12/1996	Backus et al.	5,856,174 A	1/1999	Lipshutz et al.

US D905,269 S

Page 3

5,858,187 A	1/1999	Ramsey et al.	6,024,920 A	2/2000	Cunanan
5,858,188 A	1/1999	Soane et al.	D421,653 S	3/2000	Purcell
5,863,502 A	1/1999	Southgate et al.	6,033,546 A	3/2000	Ramsey
5,863,708 A	1/1999	Zanzucchi et al.	6,033,880 A	3/2000	Haff et al.
5,863,801 A	1/1999	Southgate et al.	6,043,080 A	3/2000	Lipshutz et al.
5,866,345 A	2/1999	Wilding et al.	6,046,056 A	4/2000	Parce et al.
5,869,004 A	2/1999	Parce et al.	6,048,734 A	4/2000	Burns et al.
5,869,244 A	2/1999	Martin et al.	6,054,034 A	4/2000	Soane et al.
5,872,010 A	2/1999	Karger et al.	6,054,277 A	4/2000	Furcht et al.
5,872,623 A	2/1999	Stabile et al.	6,056,860 A	5/2000	Amigo et al.
5,874,046 A	2/1999	Megerle	6,057,149 A	5/2000	Burns et al.
5,876,675 A	3/1999	Kennedy	6,062,261 A	5/2000	Jacobson et al.
5,880,071 A	3/1999	Parce et al.	6,063,341 A	5/2000	Fassbind et al.
5,882,465 A	3/1999	McReynolds	6,063,589 A	5/2000	Kellogg et al.
5,883,211 A	3/1999	Sassi et al.	6,068,751 A	5/2000	Neukermans
5,885,432 A	3/1999	Hooper et al.	6,068,752 A	5/2000	Dubrow et al.
5,885,470 A	3/1999	Parce et al.	6,071,478 A	6/2000	Chow
5,895,762 A	4/1999	Greenfield et al.	6,074,725 A	6/2000	Kennedy
5,900,130 A	5/1999	Benvegnu et al.	6,074,827 A	6/2000	Nelson et al.
5,912,124 A	6/1999	Kumar	D428,497 S	7/2000	Lapeus et al.
5,912,134 A	6/1999	Shartle	6,086,740 A	7/2000	Kennedy
5,914,229 A	6/1999	Loewy	6,096,509 A	8/2000	Okun et al.
5,916,522 A	6/1999	Boyd et al.	6,100,541 A	8/2000	Nagle et al.
5,916,776 A	6/1999	Kumar	6,102,897 A	8/2000	Lang
5,919,646 A	7/1999	Okun et al.	6,103,537 A	8/2000	Ullman et al.
5,919,711 A	7/1999	Boyd et al.	6,106,685 A	8/2000	McBride et al.
5,922,591 A	7/1999	Anderson et al.	6,110,343 A	8/2000	Ramsey et al.
5,927,547 A	7/1999	Papen et al.	6,117,398 A	9/2000	Bienhaus et al.
5,928,880 A	7/1999	Wilding et al.	6,123,205 A	9/2000	Dumitrescu et al.
5,929,208 A	7/1999	Heller et al.	6,123,798 A	9/2000	Gandhi et al.
D413,391 S	8/1999	Lapeus et al.	6,130,098 A	10/2000	Handique et al.
5,932,799 A	8/1999	Moles	6,132,580 A	10/2000	Mathies et al.
5,935,401 A	8/1999	Amigo	6,132,684 A	10/2000	Marino
5,939,291 A	8/1999	Loewy et al.	6,133,436 A	10/2000	Koster et al.
5,939,312 A	8/1999	Baier et al.	D433,759 S	11/2000	Mathis et al.
5,942,443 A	8/1999	Parce et al.	6,143,250 A	11/2000	Tajima
D413,677 S	9/1999	Dumitrescu et al.	6,143,547 A	11/2000	Hsu
D414,271 S	9/1999	Mendoza	6,149,787 A	11/2000	Chow et al.
5,948,227 A	9/1999	Dubrow	6,149,872 A	11/2000	Mack et al.
5,948,363 A	9/1999	Gaillard	6,156,199 A	12/2000	Zuk, Jr.
5,948,673 A	9/1999	Cottingham	6,158,269 A	12/2000	Dorenkott et al.
5,955,028 A	9/1999	Chow	6,167,910 B1	1/2001	Chow
5,955,029 A	9/1999	Wilding et al.	6,168,948 B1	1/2001	Anderson et al.
5,957,579 A	9/1999	Kopf-Sill et al.	6,171,850 B1	1/2001	Nagle et al.
5,958,203 A	9/1999	Parce et al.	6,174,675 B1	1/2001	Chow et al.
5,958,694 A	9/1999	Nikiforov	6,180,950 B1	1/2001	Olsen
5,959,221 A	9/1999	Boyd et al.	D438,311 S	2/2001	Yamanishi et al.
5,959,291 A	9/1999	Jensen	6,190,619 B1	2/2001	Kilcoin et al.
5,935,522 A	10/1999	Swerdlow et al.	6,194,563 B1	2/2001	Cruickshank
5,964,995 A	10/1999	Nikiforov et al.	D438,632 S	3/2001	Miller
5,964,997 A	10/1999	McBride	D438,633 S	3/2001	Miller
5,965,001 A	10/1999	Chow et al.	D439,673 S	3/2001	Brophy et al.
5,965,410 A	10/1999	Chow et al.	6,197,595 B1	3/2001	Anderson et al.
5,965,886 A	10/1999	Sauer et al.	6,211,989 B1	4/2001	Wulf et al.
5,968,745 A	10/1999	Thorp et al.	6,213,151 B1	4/2001	Jacobson et al.
5,972,187 A	10/1999	Parce et al.	6,221,600 B1	4/2001	MacLeod et al.
5,973,138 A	10/1999	Collis	6,228,635 B1	5/2001	Armstrong et al.
D417,009 S	11/1999	Boyd	6,232,072 B1	5/2001	Fisher
5,976,336 A	11/1999	Dubrow et al.	6,235,175 B1	5/2001	Dubrow et al.
5,980,704 A	11/1999	Cherukuri et al.	6,235,313 B1	5/2001	Mathiowitz et al.
5,980,719 A	11/1999	Cherukuri et al.	6,235,471 B1	5/2001	Knapp et al.
5,981,735 A	11/1999	Thatcher et al.	6,236,456 B1	5/2001	Giebelier et al.
5,985,651 A	11/1999	Hunicke-Smith	6,236,581 B1	5/2001	Foss et al.
5,989,402 A	11/1999	Chow et al.	6,238,626 B1	5/2001	Higuchi et al.
5,992,820 A	11/1999	Fare et al.	6,251,343 B1	6/2001	Dubrow et al.
5,993,611 A	11/1999	Moroney, III et al.	6,254,826 B1	7/2001	Acosta et al.
5,993,750 A	11/1999	Ghosh et al.	6,255,478 B1	7/2001	Komai et al.
5,997,708 A	12/1999	Craig	6,259,635 B1	7/2001	Khouri et al.
6,001,229 A	12/1999	Ramsey	6,261,431 B1	7/2001	Mathies et al.
6,001,231 A	12/1999	Kopf-Sill	6,267,858 B1	7/2001	Parce et al.
6,001,307 A	12/1999	Naka et al.	D446,306 S	8/2001	Ochi et al.
6,004,515 A	12/1999	Parce et al.	6,271,021 B1	8/2001	Burns et al.
6,007,690 A	12/1999	Nelson et al.	6,274,089 B1	8/2001	Chow et al.
6,010,607 A	1/2000	Ramsey	6,280,967 B1	8/2001	Ransom et al.
6,010,608 A	1/2000	Ramsey	6,281,008 B1	8/2001	Komai et al.
6,010,627 A	1/2000	Hood, III	6,284,113 B1	9/2001	Bjornson et al.
6,012,902 A	1/2000	Parce	6,284,470 B1	9/2001	Bitner et al.
D420,747 S	2/2000	Dumitrescu et al.	6,287,254 B1	9/2001	Dodds
D421,130 S	2/2000	Cohen et al.	6,287,774 B1	9/2001	Nikiforov

US D905,269 S

6,291,248 B1	9/2001	Haj-Ahmad	6,537,432 B1	3/2003	Schneider et al.
6,294,063 B1	9/2001	Becker et al.	6,537,771 B1	3/2003	Farinas et al.
6,302,134 B1	10/2001	Kellogg et al.	6,540,896 B1	4/2003	Manz et al.
6,302,304 B1	10/2001	Spencer	6,544,734 B1	4/2003	Briscoe et al.
6,303,343 B1	10/2001	Kopf-sill	6,547,942 B1	4/2003	Parce et al.
6,306,273 B1	10/2001	Wainright et al.	6,555,389 B1	4/2003	Ullman et al.
6,306,590 B1	10/2001	Mehta et al.	6,556,923 B2	4/2003	Gallagher et al.
6,316,774 B1	11/2001	Giebeler et al.	D474,279 S	5/2003	Mayer et al.
6,319,469 B1	11/2001	Mian et al.	D474,280 S	5/2003	Niedbala et al.
6,322,683 B1	11/2001	Wolk et al.	6,558,916 B2	5/2003	Veerapandian et al.
6,326,083 B1	12/2001	Yang et al.	6,558,945 B1	5/2003	Kao
6,326,147 B1	12/2001	Oldham et al.	6,569,607 B2	5/2003	McReynolds
6,326,211 B1	12/2001	Anderson et al.	6,572,830 B1	6/2003	Burdon et al.
6,334,980 B1	1/2002	Hayes et al.	6,575,188 B2	6/2003	Parunak
6,337,435 B1	1/2002	Chu et al.	6,576,459 B2	6/2003	Miles et al.
6,353,475 B1	3/2002	Jensen et al.	6,579,453 B1	6/2003	Bächler et al.
6,358,387 B1	3/2002	Kopf-sill et al.	6,589,729 B2	7/2003	Chan et al.
6,366,924 B1	4/2002	Parce	6,592,821 B1	7/2003	Wada et al.
6,368,561 B1	4/2002	Rutishauser et al.	6,597,450 B1	7/2003	Andrews et al.
6,368,871 B1	4/2002	Christel et al.	6,602,474 B1	8/2003	Tajima
6,370,206 B1	4/2002	Schenk	6,613,211 B1	9/2003	Mccormick et al.
6,375,185 B1	4/2002	Lin	6,613,512 B1	9/2003	Kopf-sill et al.
6,375,901 B1	4/2002	Robotti et al.	6,613,580 B1	9/2003	Chow et al.
6,379,884 B2	4/2002	Wada et al.	6,613,581 B1	9/2003	Wada et al.
6,379,929 B1	4/2002	Burns et al.	6,614,030 B2	9/2003	Maher et al.
6,379,974 B1	4/2002	Parce et al.	6,620,625 B2	9/2003	Wolk et al.
6,382,254 B1	5/2002	Yang et al.	6,623,860 B2	9/2003	Hu et al.
6,391,541 B1	5/2002	Petersen et al.	6,627,406 B1	9/2003	Singh et al.
6,391,623 B1	5/2002	Besemer et al.	D480,814 S	10/2003	Lafferty et al.
6,395,161 B1	5/2002	Schneider et al.	6,632,655 B1	10/2003	Mehta et al.
6,398,956 B1	6/2002	Coville et al.	6,633,785 B1	10/2003	Kasahara et al.
6,399,025 B1	6/2002	Chow	D482,796 S	11/2003	Oyama et al.
6,399,389 B1	6/2002	Parce et al.	6,640,981 B2	11/2003	Lafond et al.
6,399,952 B1	6/2002	Maher et al.	6,649,358 B1	11/2003	Parce et al.
6,401,552 B1	6/2002	Elkins	6,664,104 B2	12/2003	Pourahmadi et al.
6,403,338 B1	6/2002	Knapp et al.	6,669,831 B2	12/2003	Chow et al.
6,408,878 B2	6/2002	Unger et al.	6,670,153 B2	12/2003	Stern
6,413,401 B1	7/2002	Chow et al.	D484,989 S	1/2004	Gebrian
6,416,642 B1	7/2002	Alajoki et al.	6,672,458 B2	1/2004	Hansen et al.
6,420,143 B1	7/2002	Kopf-sill	6,681,616 B2	1/2004	Spaid et al.
6,425,972 B1	7/2002	McReynolds	6,681,788 B2	1/2004	Parce et al.
D461,906 S	8/2002	Pham	6,685,813 B2	2/2004	Williams et al.
6,428,987 B2	8/2002	Franzen	6,692,700 B2	2/2004	Handique
6,430,512 B1	8/2002	Gallagher	6,695,009 B2	2/2004	Chien et al.
6,432,366 B2	8/2002	Ruediger et al.	6,699,713 B2	3/2004	Benett et al.
6,440,725 B1	8/2002	Pourahmadi et al.	6,706,519 B1	3/2004	Kellogg et al.
D463,031 S	9/2002	Slomski et al.	6,720,148 B1	4/2004	Nikiforov
6,444,461 B1	9/2002	Knapp et al.	6,730,206 B2	5/2004	Ricco et al.
6,447,661 B1	9/2002	Chow et al.	6,733,645 B1	5/2004	Chow
6,447,727 B1	9/2002	Parce et al.	6,734,401 B2	5/2004	Bedingham et al.
6,448,064 B1	9/2002	Vo-Dinh et al.	6,737,026 B1	5/2004	Bergh et al.
6,453,928 B1	9/2002	Kaplan et al.	6,740,518 B1	5/2004	Duong et al.
6,458,259 B1	10/2002	Parce et al.	D491,272 S	6/2004	Alden et al.
6,461,570 B2	10/2002	Ishihara et al.	D491,273 S	6/2004	Biegler et al.
6,465,257 B1	10/2002	Parce et al.	D491,276 S	6/2004	Langille
6,468,761 B2	10/2002	Yang et al.	6,750,661 B2	6/2004	Brooks et al.
6,472,141 B2	10/2002	Nikiforov	6,752,966 B1	6/2004	Chazan
D466,219 S	11/2002	Wynschenk et al.	6,756,019 B1	6/2004	Dubrow et al.
6,475,364 B1	11/2002	Dubrow et al.	6,764,859 B1	7/2004	Kreuwel et al.
D467,348 S	12/2002	McMichael et al.	6,766,817 B2	7/2004	Dias da Silva
D467,349 S	12/2002	Niedbala et al.	6,773,567 B1	8/2004	Wolk
6,488,897 B2	12/2002	Dubrow et al.	6,777,184 B2	8/2004	Nikiforov et al.
6,495,104 B1	12/2002	Unno et al.	6,783,962 B1	8/2004	Olander et al.
6,498,497 B1	12/2002	Chow et al.	D495,805 S	9/2004	Lea et al.
6,500,323 B1	12/2002	Chow et al.	6,787,015 B2	9/2004	Lackritz et al.
6,500,390 B1	12/2002	Boulton et al.	6,787,016 B2	9/2004	Tan et al.
D468,437 S	1/2003	McMenamy et al.	6,787,111 B2	9/2004	Roach et al.
6,506,609 B1	1/2003	Wada et al.	6,790,328 B2	9/2004	Jacobson et al.
6,509,193 B1	1/2003	Tajima	6,790,330 B2	9/2004	Gascoyne et al.
6,511,853 B1	1/2003	Kopf-sill et al.	6,811,668 B1	11/2004	Berndt et al.
D470,595 S	2/2003	Crisanti et al.	6,818,113 B2	11/2004	Williams et al.
6,515,753 B2	2/2003	Maher	6,819,027 B2	11/2004	Saraf
6,517,783 B2	2/2003	Horner et al.	6,824,663 B1	11/2004	Boone
6,520,197 B2	2/2003	Deshmukh et al.	D499,813 S	12/2004	Wu
6,521,188 B1	2/2003	Webster	D500,142 S	12/2004	Crisanti et al.
6,524,456 B1	2/2003	Ramsey et al.	D500,363 S	12/2004	Fanning et al.
6,524,790 B1	2/2003	Kopf-sill et al.	6,827,831 B1	12/2004	Chow et al.
D472,324 S	3/2003	Rumore et al.	6,827,906 B1	12/2004	Bjornson et al.
6,534,295 B2	3/2003	Tai et al.	6,838,156 B1	1/2005	Neyer et al.

US D905,269 S

6,838,680 B2	1/2005	Maher et al.	7,276,208 B2	10/2007	Sevigny et al.
6,852,287 B2	2/2005	Ganesan	7,276,330 B2	10/2007	Chow et al.
6,858,185 B1	2/2005	Kopf-sill et al.	7,288,228 B2	10/2007	Lefebvre
6,859,698 B2	2/2005	Schmeisser	D556,914 S	12/2007	Okamoto et al.
6,861,035 B2	3/2005	Pham et al.	7,303,727 B1	12/2007	Dubrow et al.
6,878,540 B2	4/2005	Pourahmadi et al.	D559,995 S	1/2008	Handique et al.
6,878,755 B2	4/2005	Singh et al.	7,323,140 B2	1/2008	Handique et al.
6,884,628 B2	4/2005	Hubbell et al.	7,332,130 B2	2/2008	Handique
6,887,693 B2	5/2005	McMillan et al.	7,338,760 B2	3/2008	Gong et al.
6,893,879 B2	5/2005	Petersen et al.	D566,291 S	4/2008	Parunak et al.
6,900,889 B2	5/2005	Bjornson et al.	7,351,377 B2	4/2008	Chazan et al.
6,905,583 B2	6/2005	Wainright et al.	D569,526 S	5/2008	Duffy et al.
6,905,612 B2	6/2005	Dorian et al.	7,374,949 B2	5/2008	Kuriger
6,906,797 B1	6/2005	Kao et al.	7,390,460 B2	6/2008	Osawa et al.
6,908,594 B1	6/2005	Schaevitz et al.	7,419,784 B2	9/2008	Dubrow et al.
6,911,183 B1	6/2005	Handique et al.	7,422,669 B2	9/2008	Jacobson et al.
6,914,137 B2	7/2005	Baker	7,440,684 B2	10/2008	Spaid et al.
6,915,679 B2	7/2005	Chien et al.	7,476,313 B2	1/2009	Siddiqi
6,918,404 B2	7/2005	Dias da Silva	7,480,042 B1	1/2009	Phillips et al.
D508,999 S	8/2005	Fanning et al.	7,494,577 B2	2/2009	Williams et al.
6,936,414 B2	8/2005	Gundling	7,494,770 B2	2/2009	Wilding et al.
6,939,451 B2	9/2005	Zhao et al.	7,514,046 B2	4/2009	Kechagia et al.
6,942,771 B1	9/2005	Kayyem	7,518,726 B2	4/2009	Rulison et al.
6,951,632 B2	10/2005	Unger et al.	7,521,186 B2	4/2009	Burd Mehta
6,958,392 B2	10/2005	Fomovskaia et al.	7,527,769 B2	5/2009	Bunch et al.
D512,155 S	11/2005	Matsumoto	D595,423 S	6/2009	Johansson et al.
6,964,747 B2	11/2005	Banerjee et al.	7,553,671 B2	6/2009	Sinclair et al.
6,977,163 B1	12/2005	Mehta	D596,312 S	7/2009	Giraud et al.
6,984,516 B2	1/2006	Briscoe et al.	D598,566 S	8/2009	Allaer
D515,707 S	2/2006	Sinohara et al.	D599,234 S	9/2009	Ito
D516,221 S	2/2006	Wohlstadter et al.	7,595,197 B2	9/2009	Brasseur
7,001,853 B1	2/2006	Brown et al.	7,604,938 B2	10/2009	Takahashi et al.
7,004,184 B2	2/2006	Handique et al.	7,635,588 B2	12/2009	King et al.
D517,554 S	3/2006	Yanagisawa et al.	7,645,581 B2	1/2010	Knapp et al.
7,010,391 B2	3/2006	Handique et al.	7,670,559 B2	3/2010	Chien et al.
7,023,007 B2	4/2006	Gallagher	7,674,431 B2	3/2010	Ganesan
7,024,281 B1	4/2006	Unno	7,689,022 B2	3/2010	Weiner et al.
7,036,667 B2	5/2006	Greenstein et al.	7,704,735 B2	4/2010	Facer et al.
7,037,416 B2	5/2006	Parce et al.	7,723,123 B1	5/2010	Murphy et al.
7,038,472 B1	5/2006	Chien	D618,820 S	6/2010	Wilson et al.
7,039,527 B2	5/2006	Tripathi et al.	7,727,371 B2	6/2010	Kennedy et al.
7,040,144 B2	5/2006	Spaid et al.	7,727,477 B2	6/2010	Boronkay et al.
7,041,258 B2	5/2006	Desmond et al.	7,744,817 B2	6/2010	Bui
7,049,558 B2	5/2006	Baer et al.	D621,060 S	8/2010	Handique
D523,153 S	6/2006	Akashi et al.	D628,305 S	11/2010	Gorrec et al.
7,055,695 B2	6/2006	Greenstein et al.	7,867,776 B2	1/2011	Kennedy et al.
7,060,171 B1	6/2006	Nikiforov et al.	D632,799 S	2/2011	Canner et al.
7,066,586 B2	6/2006	Dias da Silva	7,892,819 B2	2/2011	Wilding et al.
7,069,952 B1	7/2006	McReynolds et al.	D637,737 S	5/2011	Wilson et al.
7,072,036 B2	7/2006	Jones et al.	7,955,864 B2	6/2011	Cox et al.
7,099,778 B2	8/2006	Chien	7,987,022 B2	7/2011	Handique et al.
D528,215 S	9/2006	Malmsater	7,998,708 B2	8/2011	Handique et al.
7,101,467 B2	9/2006	Spaid	8,071,056 B2	12/2011	Burns et al.
7,105,304 B1	9/2006	Nikiforov et al.	8,088,616 B2	1/2012	Handique
D531,321 S	10/2006	Godfrey et al.	8,105,783 B2	1/2012	Handique
7,118,910 B2	10/2006	Unger et al.	8,110,158 B2	2/2012	Handique
7,138,032 B2	11/2006	Gandhi et al.	8,133,671 B2	3/2012	Williams et al.
D534,280 S	12/2006	Gomm et al.	8,182,763 B2	5/2012	Duffy et al.
7,150,814 B1	12/2006	Parce et al.	8,246,919 B2	8/2012	Herchenbach et al.
7,150,999 B1	12/2006	Shuck	8,273,308 B2	9/2012	Handique et al.
D535,403 S	1/2007	Isozaki et al.	D669,597 S *	10/2012	Cavada D24/216
7,160,423 B2	1/2007	Chien et al.	8,287,820 B2	10/2012	Williams et al.
7,161,356 B1	1/2007	Chien	8,323,584 B2	12/2012	Ganesan
7,169,277 B2	1/2007	Ausserer et al.	8,323,900 B2	12/2012	Handique et al.
7,169,618 B2	1/2007	Skold	8,324,372 B2	12/2012	Brahmasandra et al.
D537,951 S	3/2007	Okamoto et al.	8,415,103 B2	4/2013	Handique
D538,436 S	3/2007	Patadia et al.	8,420,015 B2	4/2013	Ganesan et al.
7,192,557 B2	3/2007	Wu et al.	8,440,149 B2	5/2013	Handique
7,195,986 B1	3/2007	Bousse et al.	8,470,586 B2	6/2013	Wu et al.
7,205,154 B2	4/2007	Corson	8,473,104 B2	6/2013	Handique et al.
7,208,125 B1	4/2007	Dong	D686,749 S	7/2013	Trump
7,235,406 B1	6/2007	Woudenberg et al.	D687,567 S	8/2013	Jungheim et al.
7,247,274 B1	7/2007	Chow	D692,162 S *	10/2013	Lentz D24/224
D548,841 S	8/2007	Brownell et al.	8,679,831 B2	3/2014	Handique et al.
D549,827 S	8/2007	Maeno et al.	D702,854 S	4/2014	Nakahana et al.
7,252,928 B1	8/2007	Hafeman et al.	8,685,341 B2	4/2014	Ganesan
7,270,786 B2	9/2007	Parunak et al.	8,703,069 B2	4/2014	Handique et al.
D554,069 S	10/2007	Bolotin et al.	8,709,787 B2	4/2014	Handique
D554,070 S	10/2007	Bolotin et al.	8,710,211 B2	4/2014	Brahmasandra et al.

US D905,269 S

8,734,733 B2	5/2014	Handique	2003/0059823 A1	3/2003	Matsunaga et al.
D710,024 S	7/2014	Guo	2003/0064507 A1	4/2003	Gallagher et al.
8,765,076 B2	7/2014	Handique et al.	2003/0072683 A1	4/2003	Stewart et al.
8,852,862 B2	10/2014	Wu et al.	2003/0073106 A1	4/2003	Johansen et al.
8,883,490 B2	11/2014	Handique et al.	2003/0083686 A1	5/2003	Freeman et al.
8,894,947 B2	11/2014	Ganesan et al.	2003/0087300 A1	5/2003	Knapp et al.
8,895,311 B1	11/2014	Handique et al.	2003/0096310 A1	5/2003	Hansen et al.
D729,404 S	5/2015	Teich et al.	2003/0099954 A1	5/2003	Miltenyi et al.
9,028,773 B2	5/2015	Ganesan	2003/0127327 A1	7/2003	Kurnik
9,040,288 B2	5/2015	Handique et al.	2003/0136679 A1	7/2003	Bohn et al.
9,051,604 B2	6/2015	Handique	2003/0156991 A1	8/2003	Halas et al.
9,080,207 B2	7/2015	Handique et al.	2003/0186295 A1	10/2003	Colin et al.
D742,027 S *	10/2015	Lentz D24/224	2003/0190608 A1	10/2003	Blackburn et al.
9,186,677 B2	11/2015	Williams et al.	2003/0199081 A1	10/2003	Wilding et al.
9,217,143 B2	12/2015	Brahmasandra et al.	2003/0211517 A1	11/2003	Carulli et al.
9,222,954 B2	12/2015	Lentz et al.	2004/0014202 A1	1/2004	King et al.
9,238,223 B2	1/2016	Handique	2004/0014238 A1	1/2004	Krug et al.
9,259,734 B2	2/2016	Williams et al.	2004/0018116 A1	1/2004	Desmond et al.
9,259,735 B2	2/2016	Handique et al.	2004/0018119 A1	1/2004	Massaro
9,347,586 B2	5/2016	Williams et al.	2004/0022689 A1	2/2004	Wulf et al.
9,480,983 B2	11/2016	Lentz et al.	2004/0029258 A1	2/2004	Heaney et al.
9,528,142 B2	12/2016	Handique	2004/0029260 A1	2/2004	Hansen et al.
9,618,139 B2	4/2017	Handique	2004/0037739 A1	2/2004	McNeely et al.
D787,087 S	6/2017	Duffy et al.	2004/0043479 A1	3/2004	Briscoe et al.
9,670,528 B2	6/2017	Handique et al.	2004/0053290 A1	3/2004	Terbrueggen et al.
9,677,121 B2	6/2017	Ganesan et al.	2004/0063217 A1	4/2004	Webster et al.
9,701,957 B2	7/2017	Wilson et al.	2004/0065655 A1	4/2004	Brown
9,745,623 B2	8/2017	Steel	2004/0072278 A1	4/2004	Chou et al.
9,765,389 B2	9/2017	Gubatayao et al.	2004/0072375 A1	4/2004	Gjerde et al.
9,802,199 B2	10/2017	Handique et al.	2004/0086427 A1	5/2004	Childers et al.
9,815,057 B2	11/2017	Handique	2004/0086956 A1	5/2004	Bachur
9,958,466 B2	5/2018	Dalbert et al.	2004/0132059 A1	7/2004	Scurati et al.
10,065,185 B2	9/2018	Handique	2004/0141887 A1	7/2004	Mainquist et al.
10,071,376 B2	9/2018	Williams et al.	2004/0151629 A1	8/2004	Pease et al.
10,076,754 B2	9/2018	Lentz et al.	2004/0157220 A1	8/2004	Kurnool et al.
D831,843 S	10/2018	Lentz et al.	2004/0161788 A1	8/2004	Chen et al.
10,100,302 B2	10/2018	Brahmasandra et al.	2004/0189311 A1	9/2004	Glezer et al.
2001/0005489 A1	6/2001	Roach et al.	2004/0197810 A1	10/2004	Takenaka et al.
2001/0012492 A1	8/2001	Acosta et al.	2004/0200909 A1	10/2004	McMillan et al.
2001/0016358 A1	8/2001	Osawa et al.	2004/0209331 A1	10/2004	Ririe
2001/0021355 A1	9/2001	Baugh et al.	2004/0209354 A1	10/2004	Mathies et al.
2001/0023848 A1	9/2001	Gjerde et al.	2004/0224317 A1	11/2004	Kordunsky et al.
2001/0038450 A1	11/2001	McCaffrey et al.	2004/0235154 A1	11/2004	Oh et al.
2001/0045358 A1	11/2001	Kopf-Sill et al.	2004/0240097 A1	12/2004	Evans
2001/0046702 A1	11/2001	Schembri	2005/0009174 A1	1/2005	Nikiforov et al.
2001/0048899 A1	12/2001	Marouiss et al.	2005/0013737 A1	1/2005	Chow et al.
2001/0055765 A1	12/2001	O'Keefe et al.	2005/0037471 A1	2/2005	Liu et al.
2002/0001848 A1	1/2002	Bedingham et al.	2005/0041525 A1	2/2005	Pugia et al.
2002/0008053 A1	1/2002	Hansen et al.	2005/0042639 A1	2/2005	Knapp et al.
2002/0009015 A1	1/2002	Laugharn, Jr. et al.	2005/0048540 A1	3/2005	Inami et al.
2002/0014443 A1	2/2002	Hansen et al.	2005/0058574 A1	3/2005	Bysouth et al.
2002/0015667 A1	2/2002	Chow	2005/0058577 A1	3/2005	Micklash et al.
2002/0021983 A1	2/2002	Comte et al.	2005/0064535 A1	3/2005	Favuzzi et al.
2002/0022261 A1	2/2002	Anderson et al.	2005/0069898 A1	3/2005	Moon et al.
2002/0037499 A1	3/2002	Quake et al.	2005/0084424 A1	4/2005	Ganesan et al.
2002/0039783 A1	4/2002	McMillan et al.	2005/0106066 A1	5/2005	Saltsman et al.
2002/0053399 A1	5/2002	Soane et al.	2005/0112754 A1	5/2005	Yoon et al.
2002/0054835 A1	5/2002	Robotti et al.	2005/0121324 A1	6/2005	Park et al.
2002/0055167 A1	5/2002	Pourahmadi et al.	2005/0129580 A1	6/2005	Swinehart et al.
2002/0058332 A1	5/2002	Quake et al.	2005/0133370 A1	6/2005	Park et al.
2002/0060156 A1	5/2002	Mathies et al.	2005/0135655 A1	6/2005	Kopf-sill et al.
2002/0068357 A1	6/2002	Mathies et al.	2005/0142036 A1	6/2005	Kim et al.
2002/0068821 A1	6/2002	Gundling	2005/0158781 A1	7/2005	Woudenberg et al.
2002/0090320 A1	7/2002	Burow et al.	2005/0170362 A1	8/2005	Wada et al.
2002/0092767 A1	7/2002	Bjornson et al.	2005/0186585 A1	8/2005	Juncosa et al.
2002/0094303 A1	7/2002	Yamamoto et al.	2005/0196321 A1	9/2005	Huang
2002/0131903 A1	9/2002	Ingenhoven et al.	2005/0202470 A1	9/2005	Sundberg et al.
2002/0141903 A1	10/2002	Parunak et al.	2005/0202489 A1	9/2005	Cho et al.
2002/0143297 A1	10/2002	Francavilla et al.	2005/0202504 A1	9/2005	Anderson et al.
2002/0155010 A1	10/2002	Karp et al.	2005/0208676 A1	9/2005	Kahatt
2002/0155477 A1	10/2002	Ito	2005/0214172 A1	9/2005	Burgisser
2002/0169518 A1	11/2002	Luoma et al.	2005/0220675 A1	10/2005	Reed et al.
2002/0173032 A1	11/2002	Zou et al.	2005/0227269 A1	10/2005	Lloyd et al.
2002/0187557 A1	12/2002	Hobbs et al.	2005/0233370 A1	10/2005	Ammann et al.
2002/0192808 A1	12/2002	Gambini et al.	2005/0238545 A1	10/2005	Parce et al.
2003/0008308 A1	1/2003	Enzelberger et al.	2005/0276728 A1	12/2005	Muller-Cohn et al.
2003/0019522 A1	1/2003	Parunak	2006/0041058 A1	2/2006	Yin et al.
2003/0022392 A1	1/2003	Hudak	2006/0057039 A1	3/2006	Morse et al.
2003/0049833 A1	3/2003	Chen et al.	2006/0057629 A1	3/2006	Kim

2006/0062696 A1	3/2006	Chow et al.	2011/0158865 A1	6/2011	Miller et al.
2006/0094108 A1	5/2006	Yoder et al.	2011/0287447 A1	11/2011	Norderhaug
2006/0113190 A1	6/2006	Kurnik	2011/0300033 A1	12/2011	Battisti
2006/0133965 A1	6/2006	Tajima et al.	2012/0122231 A1	5/2012	Tajima
2006/0134790 A1	6/2006	Tanaka et al.	2012/0160826 A1	6/2012	Handique
2006/0148063 A1	7/2006	Fauzzi et al.	2012/0171678 A1	7/2012	Maltezos et al.
2006/0165558 A1	7/2006	Witty et al.	2012/0258463 A1	10/2012	Duffy et al.
2006/0165559 A1	7/2006	Greenstein et al.	2013/0183769 A1	7/2013	Tajima
2006/0177376 A1	8/2006	Tomalia et al.	2013/0217013 A1	8/2013	Steel et al.
2006/0177855 A1	8/2006	Utermohlen et al.	2013/0280131 A1	10/2013	Handique et al.
2006/0183216 A1	8/2006	Handique	2013/0315800 A1	11/2013	Yin et al.
2006/0201887 A1	9/2006	Siddiqi	2014/0030798 A1	1/2014	Wu et al.
2006/0205085 A1	9/2006	Handique	2014/0227710 A1	8/2014	Handique et al.
2006/0207944 A1	9/2006	Siddiqi	2014/0329301 A1	11/2014	Handique et al.
2006/0210435 A1	9/2006	Alavie et al.	2015/0064702 A1	3/2015	Handique et al.
2006/0223169 A1	10/2006	Bedingham et al.	2015/0118684 A1	4/2015	Wu et al.
2006/0228734 A1	10/2006	Vann et al.	2015/0142186 A1	5/2015	Handique et al.
2006/0246493 A1	11/2006	Jensen et al.	2015/0174579 A1	6/2015	Iten et al.
2006/0246533 A1	11/2006	Fathollahi et al.	2015/0315631 A1	11/2015	Handique et al.
2006/0269641 A1	11/2006	Atwood et al.	2015/0328638 A1	11/2015	Handique et al.
2006/0269961 A1	11/2006	Fukushima et al.	2016/0038942 A1	2/2016	Roberts
2007/0004028 A1	1/2007	Lair et al.	2016/0333337 A1	11/2016	Duffy et al.
2007/0009386 A1	1/2007	Padmanabhan et al.	2017/0097373 A1	4/2017	Williams et al.
2007/0020699 A1	1/2007	Carpenter et al.	2018/0017184 A1	1/2018	Handique
2007/0020764 A1	1/2007	Miller	2018/0112252 A1	4/2018	Handique
2007/0026421 A1	2/2007	Sundberg et al.	2018/0119204 A1	5/2018	Ganesan et al.
2007/0042441 A1	2/2007	Masters et al.	2018/0135102 A1	5/2018	Gubatayao et al.
2007/0048188 A1	3/2007	Bigus	2018/0154364 A1	6/2018	Handique et al.
2007/0054413 A1	3/2007	Aviles et al.			
2007/0077648 A1	4/2007	Okamoto et al.			
2007/0092901 A1	4/2007	Ligler et al.			
2007/0098600 A1	5/2007	Kayyem et al.			
2007/0099200 A1	5/2007	Chow et al.			
2007/0104617 A1	5/2007	Coulling et al.			
2007/0116613 A1	5/2007	Elsener			
2007/0154895 A1	7/2007	Spaid et al.			
2007/0177147 A1	8/2007	Parce			
2007/0178607 A1	8/2007	Prober et al.			
2007/0184463 A1	8/2007	Molho et al.			
2007/0184547 A1	8/2007	Handique et al.			
2007/0196237 A1	8/2007	Neuzil et al.			
2007/0196238 A1	8/2007	Kennedy et al.			
2007/0199821 A1	8/2007	Chow			
2007/0215554 A1	9/2007	Kreuwel et al.			
2007/0218459 A1	9/2007	Miller et al.			
2007/0231213 A1	10/2007	Prabhu et al.			
2007/0243626 A1	10/2007	Windeyer et al.			
2007/0261479 A1	11/2007	Spaid et al.			
2007/0269861 A1	11/2007	Williams et al.			
2008/0000774 A1	1/2008	Park et al.			
2008/0003649 A1	1/2008	Maltezos et al.			
2008/0017306 A1	1/2008	Liu et al.			
2008/0056948 A1	3/2008	Dale et al.			
2008/0069729 A1	3/2008	McNeely			
2008/0090244 A1	4/2008	Knapp et al.			
2008/0095673 A1	4/2008	Xu			
2008/0118987 A1	5/2008	Eastwood et al.			
2008/0124723 A1	5/2008	Dale et al.			
2008/0176230 A1	7/2008	Owen et al.			
2008/0192254 A1	8/2008	Kim et al.			
2008/0226502 A1	9/2008	Jonsmann et al.			
2008/0240898 A1	10/2008	Manz et al.			
2008/0247914 A1	10/2008	Edens et al.			
2008/0280285 A1	11/2008	Chen et al.			
2008/0308500 A1	12/2008	Brassard			
2009/0047180 A1	2/2009	Kawahara			
2009/0066339 A1	3/2009	Glezer et al.			
2009/0136385 A1	5/2009	Handique et al.			
2009/0148933 A1	6/2009	Battrell et al.			
2009/0189089 A1	7/2009	Bedingham et al.			
2009/0223925 A1	9/2009	Morse et al.			
2009/0325164 A1	12/2009	Vossenaar et al.			
2010/0009351 A1	1/2010	Brahmasandra et al.			
2010/0120129 A1	5/2010	Amshey et al.			
2010/0284864 A1	11/2010	Holenstein et al.			
2011/0008825 A1	1/2011	Ingber et al.			
2011/0027151 A1	2/2011	Handique et al.			
2011/0097493 A1	4/2011	Kerr et al.			
2011/0127292 A1	6/2011	Sarofim et al.			

FOREIGN PATENT DOCUMENTS

CA	2294819	1/1999
CN	101466848	6/2009
CN	101522909	9/2009
CN	103540518	1/2014
DE	19929734	12/1999
DE	19833293 C1	1/2000
EP	0365828 A2	5/1990
EP	0483620 A2	5/1992
EP	0688602 A2	12/1995
EP	0766256	4/1997
EP	0772494 B1	5/1997
EP	1059458 A2	12/2000
EP	1077086 A2	2/2001
EP	1346772 A2	9/2003
EP	1541237 A2	6/2005
EP	1574586 A2	9/2005
EP	1780290 A2	5/2007
EP	1792656 A1	6/2007
EP	2372367 A1	10/2011
FR	2672301	8/1992
FR	2795426	12/2000
GB	2453432 A	4/2009
JP	S50-100881	8/1975
JP	58212921 A	12/1983
JP	S62-119460	5/1987
JP	H01-502319	8/1989
JP	H 03181853	8/1991
JP	04-053555 U	5/1992
JP	06-064156 U	9/1994
JP	07-020010	1/1995
JP	H07-290706	11/1995
JP	H08-122336	5/1996
JP	H08-173194	7/1996
JP	H08-211071	8/1996
JP	H08-285859	11/1996
JP	H09-325151	12/1997
JP	H 11-501504	2/1999
JP	H11-503315	3/1999
JP	H11-316226	11/1999
JP	H11-515106	12/1999
JP	2000-180455	6/2000
JP	2000-266760	9/2000
JP	2000-275255	10/2000
JP	2001-502319	2/2001
JP	2001-509437	7/2001
JP	3191150 B2	7/2001
JP	2001-515216	9/2001
JP	2001-527220	12/2001

US D905,269 S

Page 8

JP	2002-503331	1/2002	WO	WO 2003/012325	2/2003
JP	2002-085961	3/2002	WO	WO 2003/012406	2/2003
JP	2002-517735	6/2002	WO	WO 2003/048295	6/2003
JP	2002-215241	7/2002	WO	WO 2003/055605	7/2003
JP	2002-540382	11/2002	WO	WO 2003/076661	9/2003
JP	2002-544476	12/2002	WO	WO 2003/087410	10/2003
JP	2003-500674	1/2003	WO	WO 2004/007081	1/2004
JP	2003-047839 A	2/2003	WO	WO 2004/048545	6/2004
JP	2003-047840 A	2/2003	WO	WO 2004/055522	7/2004
JP	2003-516125	5/2003	WO	WO 2004/056485	7/2004
JP	2003-164279	6/2003	WO	WO 2004/074848	9/2004
JP	2003-185584	7/2003	WO	WO 2004/094986	11/2004
JP	2003-299485	10/2003	WO	WO 2005/008255	1/2005
JP	2003-329696	11/2003	WO	WO 2005/011867	2/2005
JP	2003-532382 A	11/2003	WO	WO 2005/030984	4/2005
JP	2004-003989	1/2004	WO	WO 2005/072353	8/2005
JP	2004-506179 A	2/2004	WO	WO 2005/107947	11/2005
JP	2004-531360 A	10/2004	WO	WO 2005/108571	11/2005
JP	2004-533838	11/2004	WO	WO 2005/116202	12/2005
JP	2004-361421	12/2004	WO	WO 2005/118867	12/2005
JP	2004-536291	12/2004	WO	WO 2005/120710	12/2005
JP	2004-536689 A	12/2004	WO	WO 2006/010584	2/2006
JP	2005-009870	1/2005	WO	WO 2006/032044	3/2006
JP	2005-010179	1/2005	WO	WO 2006/035800	4/2006
JP	2005-511264	4/2005	WO	WO 2006/043642	4/2006
JP	2005-514718	5/2005	WO	WO 2006/066001	6/2006
JP	2005-518825	6/2005	WO	WO 2006/079082	7/2006
JP	2005-176613 A	7/2005	WO	WO 2006/081995	8/2006
JP	2005-192439	7/2005	WO	WO 2006/113198	10/2006
JP	2005-192554	7/2005	WO	WO 2006/119280	11/2006
JP	2005-204661	8/2005	WO	WO 2007/044917	4/2007
JP	2005-525816	9/2005	WO	WO 2007/050327	5/2007
JP	2005-291954 A	10/2005	WO	WO 2007/064117	6/2007
JP	2005-532043	10/2005	WO	WO 2007/091530	8/2007
JP	2005-323519	11/2005	WO	WO 2007/112114	10/2007
JP	2005-533652	11/2005	WO	WO 2008/005321	1/2008
JP	2005-535904	11/2005	WO	WO 2008/030914	3/2008
JP	2006-021156 A	1/2006	WO	WO 2008/060604	5/2008
JP	2006-094866 A	4/2006	WO	WO 2009/012185	1/2009
JP	2006-145458	6/2006	WO	WO 2009/054870	4/2009
JP	2006-167569	6/2006	WO	WO 2010/118541	10/2010
JP	2007-074960	3/2007	WO	WO 2010/130310	11/2010
JP	2007-097477	4/2007	WO	WO 2010/140680	12/2010
JP	2007-101364	4/2007	WO	WO 2011/101467	8/2011
JP	2007-510518	4/2007			
JP	2007-514405 A	6/2007			
JP	2007-178328	7/2007			
JP	2007-535933	12/2007			
JP	2009-542207	12/2009			
RU	2418633	5/2011			
WO	WO 1988/006633	9/1988			
WO	WO 1990/012350	10/1990			
WO	WO 1992/005443	4/1992			
WO	WO 1994/011103	5/1994			
WO	WO 1996/004547	2/1996			
WO	WO 1997/005492	2/1997			
WO	WO 1997/021090	6/1997			
WO	WO 1998/000231	1/1998			
WO	WO 1998/022625	5/1998			
WO	WO 1998/35013 A1	8/1998			
WO	WO 1998/049548	11/1998			
WO	WO 1998/053311	11/1998			
WO	WO 1999/001688	1/1999			
WO	WO 1999/009042	2/1999			
WO	WO 1999/012016	3/1999			
WO	WO 1999/017093	4/1999			
WO	WO 1999/033559	7/1999			
WO	WO 2001/005510	1/2001			
WO	WO 2001/014931	3/2001			
WO	WO 2001/027614	4/2001			
WO	WO 2001/028684	4/2001			
WO	WO 2001/030995	5/2001			
WO	WO 2001/041931	6/2001			
WO	WO 2001/054813	8/2001			
WO	WO 2001/089681	11/2001			
WO	WO 2002/072264	9/2002			
WO	WO 2002/078845	10/2002			
WO	WO 2002/086454	10/2002			
WO	WO 2003/007677	1/2003			

OTHER PUBLICATIONS

Oh K.W. et al., "A Review of Microvalves", J Micromech Microeng. (2006) 16:R13-R39.

* cited by examiner

Primary Examiner — Anhdao Doan
(74) *Attorney, Agent, or Firm* — Knobbe Martens Olson & Bear LLP

(57) CLAIM

The ornamental design for a single piece reagent holder, substantially as shown and described.

DESCRIPTION

FIG. 1 is a perspective view of a single piece reagent holder showing an embodiment of the new design;
FIG. 2 is a first side view thereof;
FIG. 3 is a second side view thereof;
FIG. 4 is a top plan view thereof;
FIG. 5 is a bottom plan view thereof;
FIG. 6 is a first end view thereof; and,
FIG. 7 is a second end view thereof.

The broken lines in the drawing views are included for the purpose of illustrating portions of the single piece reagent holder that form no part of the claimed design.

1 Claim, 5 Drawing Sheets

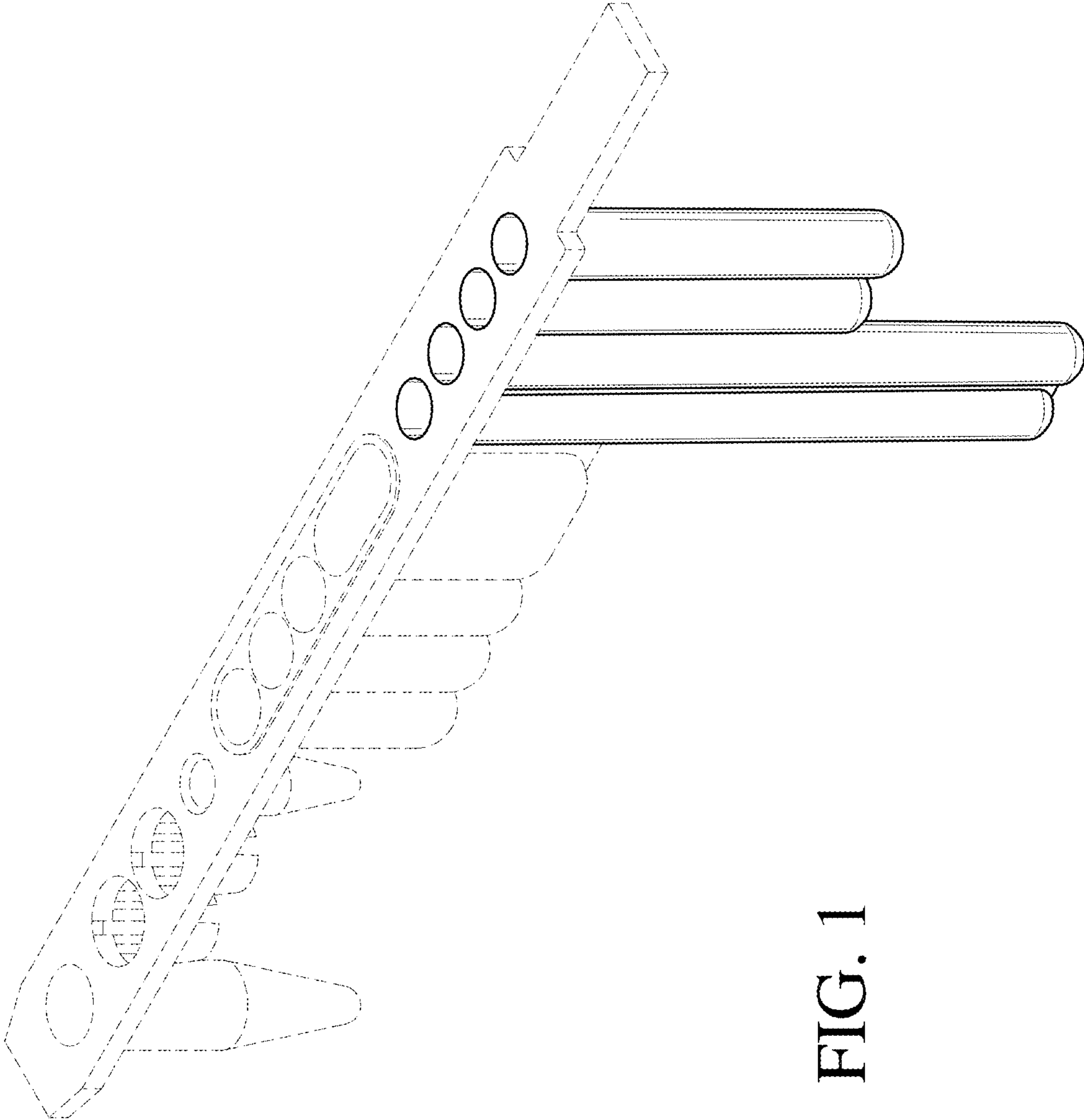


FIG. 1

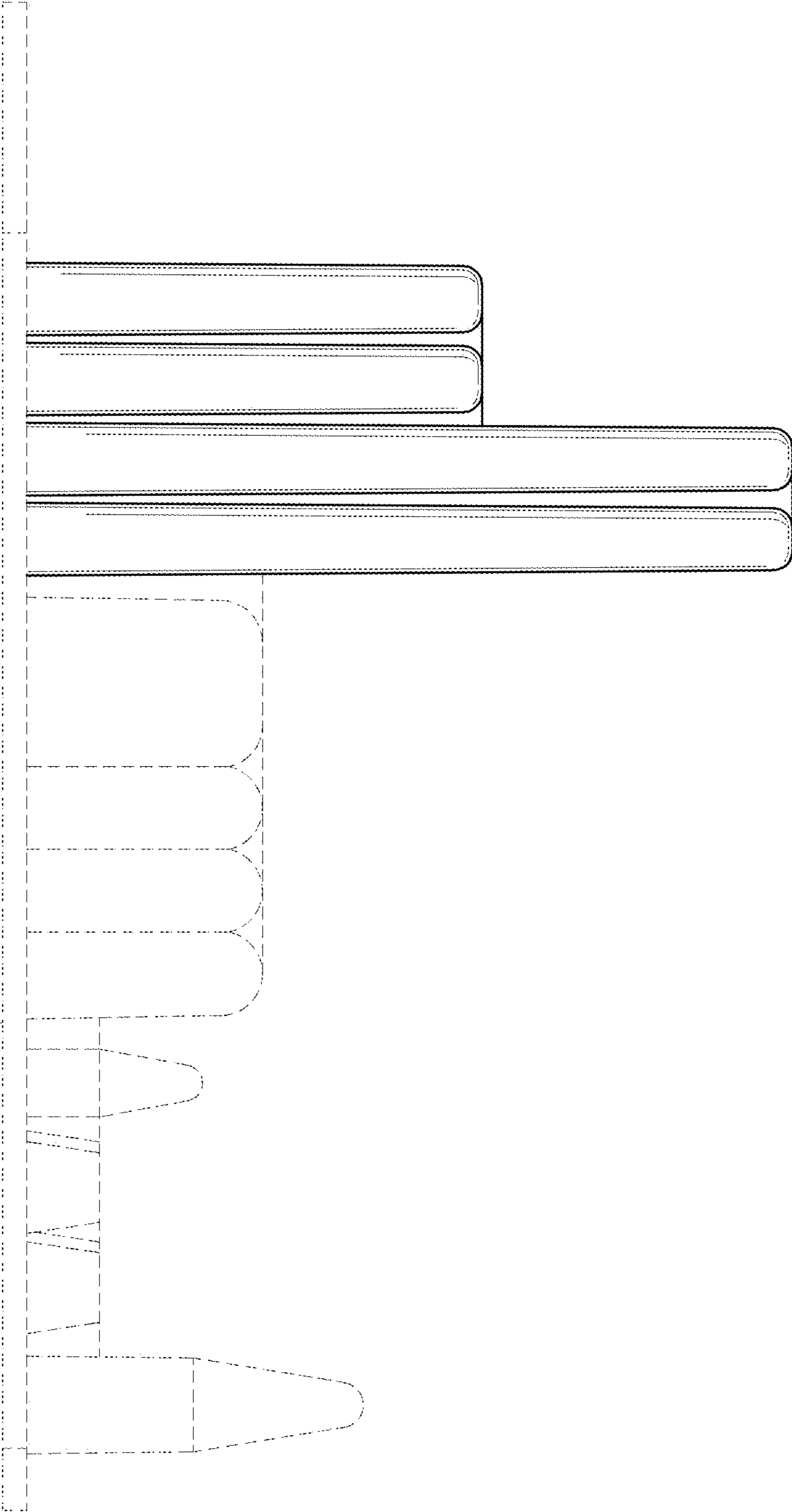


FIG. 2

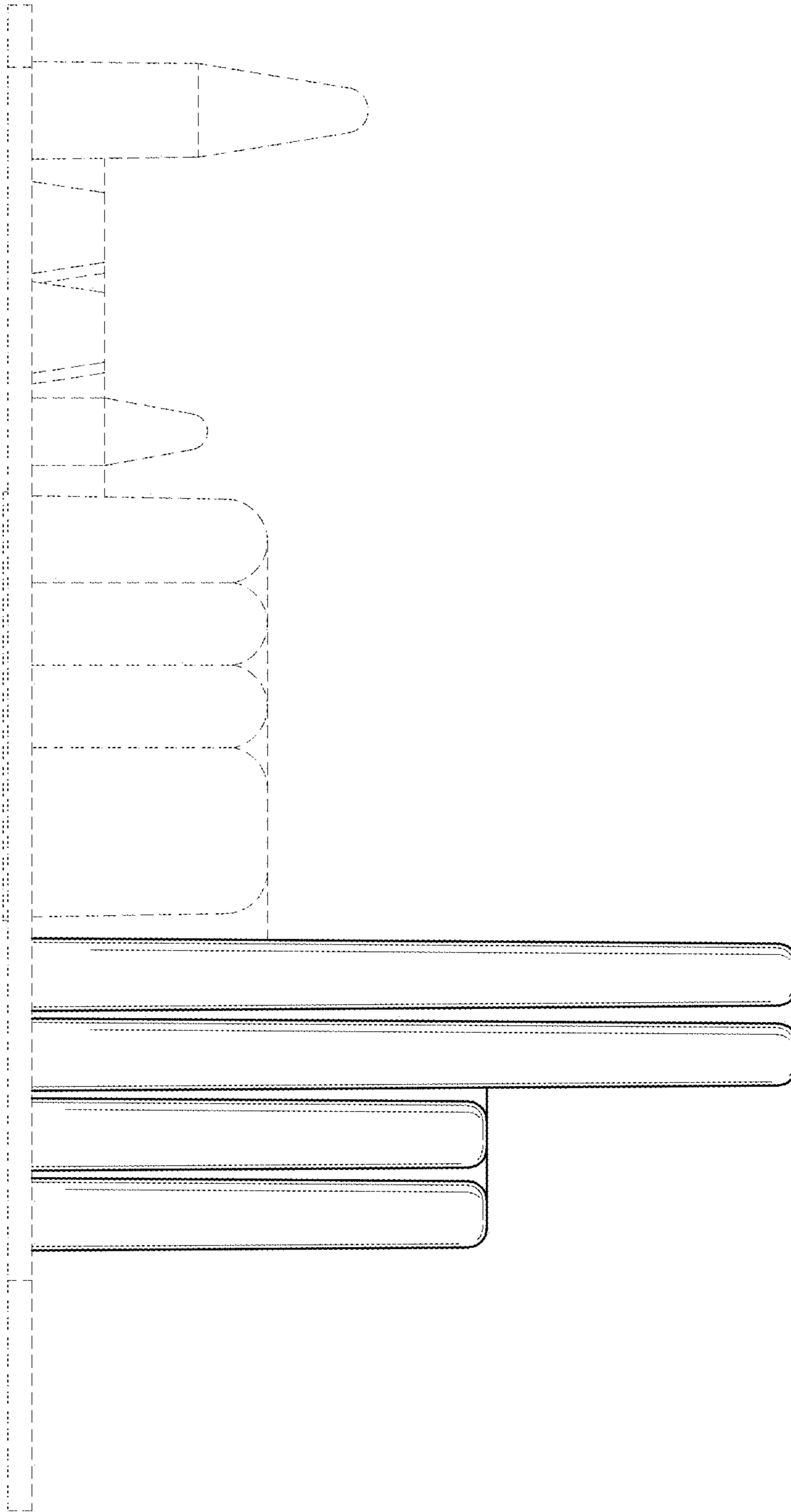


FIG. 3

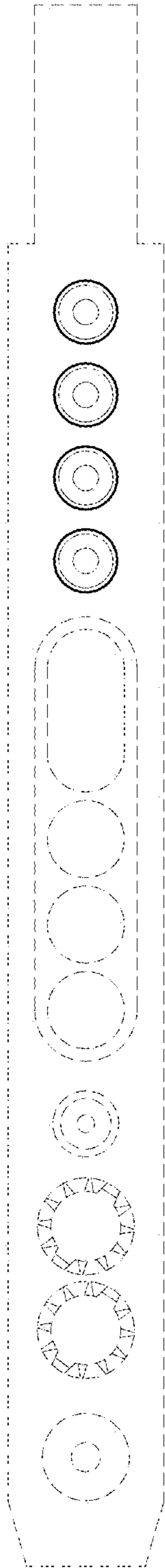


FIG. 4

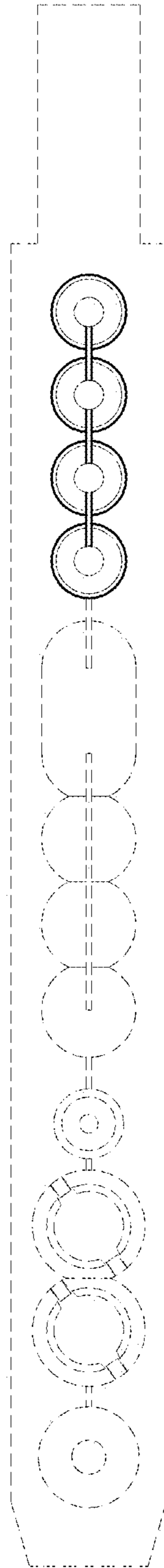


FIG. 5

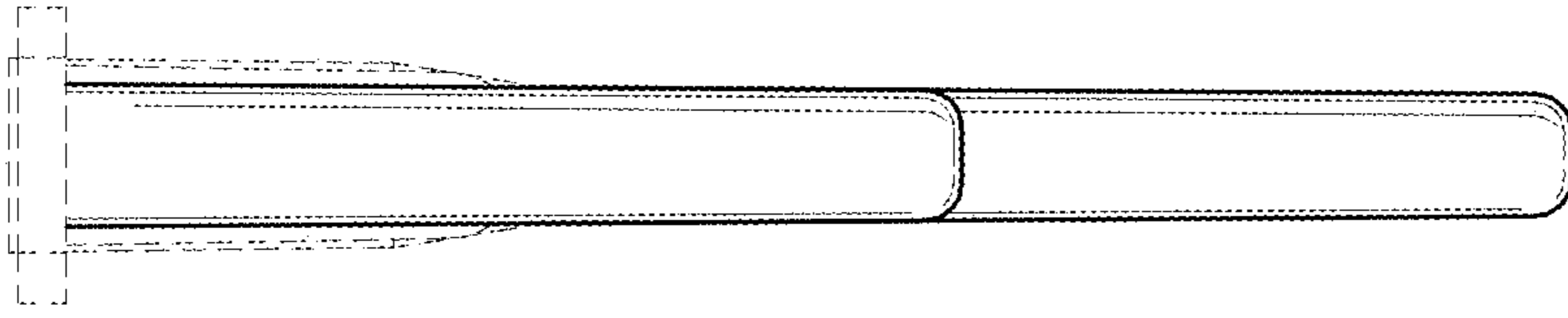


FIG. 7

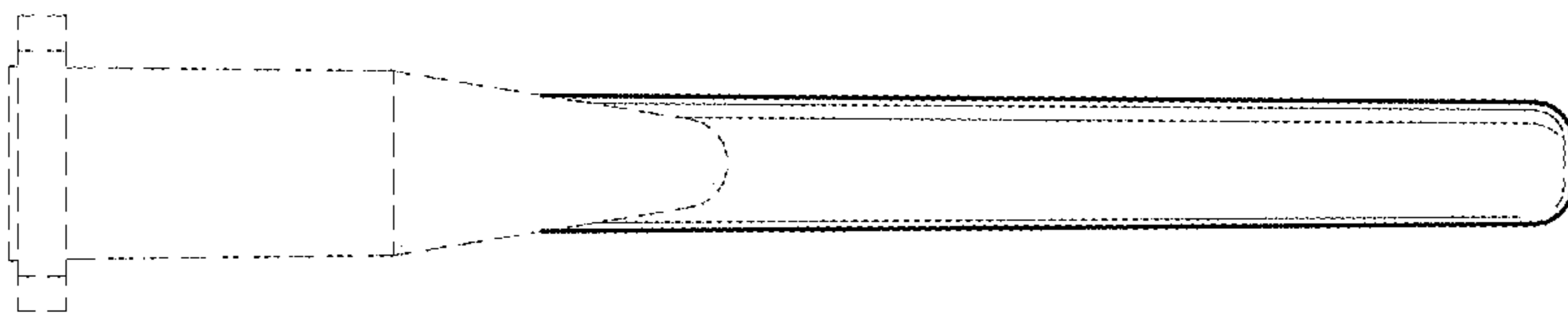


FIG. 6