



US00D905267S

(12) **United States Design Patent** (10) **Patent No.:** **US D905,267 S**
Cote (45) **Date of Patent:** **** Dec. 15, 2020**

(54) **PIPETTE TIP ADAPTER**
(71) Applicant: **Avidien Technologies, Inc.**, Hudson, MA (US)
(72) Inventor: **Richard Cote**, Hudson, MA (US)
(73) Assignee: **Avidien Technologies, Inc.**, Hudson, MA (US)
(**) Term: **15 Years**
(21) Appl. No.: **29/685,275**
(22) Filed: **Mar. 27, 2019**
(51) **LOC (12) Cl.** **24-02**
(52) **U.S. Cl.**
USPC **D24/222**
(58) **Field of Classification Search**
USPC D24/107, 169, 186, 216, 223–230, 121, D24/217, 222; D9/756–758; D3/294, D3/295
CPC B01L 3/502; B01L 3/545; B01L 3/50851; B01L 3/0275; B01L 3/5085
See application file for complete search history.

D675,748 S * 2/2013 Hilligoss D24/230
D677,400 S * 3/2013 Blaettler D24/230
D680,226 S * 4/2013 Motadel D24/222
8,485,357 B2 7/2013 Song et al.
8,591,832 B2 11/2013 Nelson
D694,907 S * 12/2013 Okihara D24/230
D694,908 S * 12/2013 Okihara D24/230

(Continued)

FOREIGN PATENT DOCUMENTS

WO WO 2011/007194 A1 1/2011
WO WO 2013/012588 A1 1/2013
WO WO 2013/181163 A1 12/2013
WO WO 2016/081595 A1 5/2016
WO WO 2016/094553 A1 6/2016

OTHER PUBLICATIONS

“Extended European Search Report dated Aug. 16, 2018 in Europe Patent Application No. 15861977.5, filed on Nov. 18, 2015”, 11 pages.

(Continued)

Primary Examiner — Janice Hallmark
Assistant Examiner — Omeed Agilee
(74) *Attorney, Agent, or Firm* — Grant IP, Inc.

(56) **References Cited**

U.S. PATENT DOCUMENTS

3,327,535 A 6/1967 Sequeira
3,683,977 A 8/1972 Crowe et al.
3,778,351 A 12/1973 Rosov
3,991,616 A 11/1976 Stahl
4,215,092 A 7/1980 Suovaniemi et al.
4,237,095 A 12/1980 Suovaniemi et al.
4,734,261 A 3/1988 Koizumi et al.
6,159,368 A 12/2000 Moring et al.
6,923,938 B2 8/2005 Cote et al.
6,982,063 B2 1/2006 Hamel et al.
7,335,337 B1 2/2008 Smith
7,968,056 B2 * 6/2011 Stockwell B01L 9/543
422/511
8,118,167 B2 * 2/2012 Togashi A61M 5/008
206/519

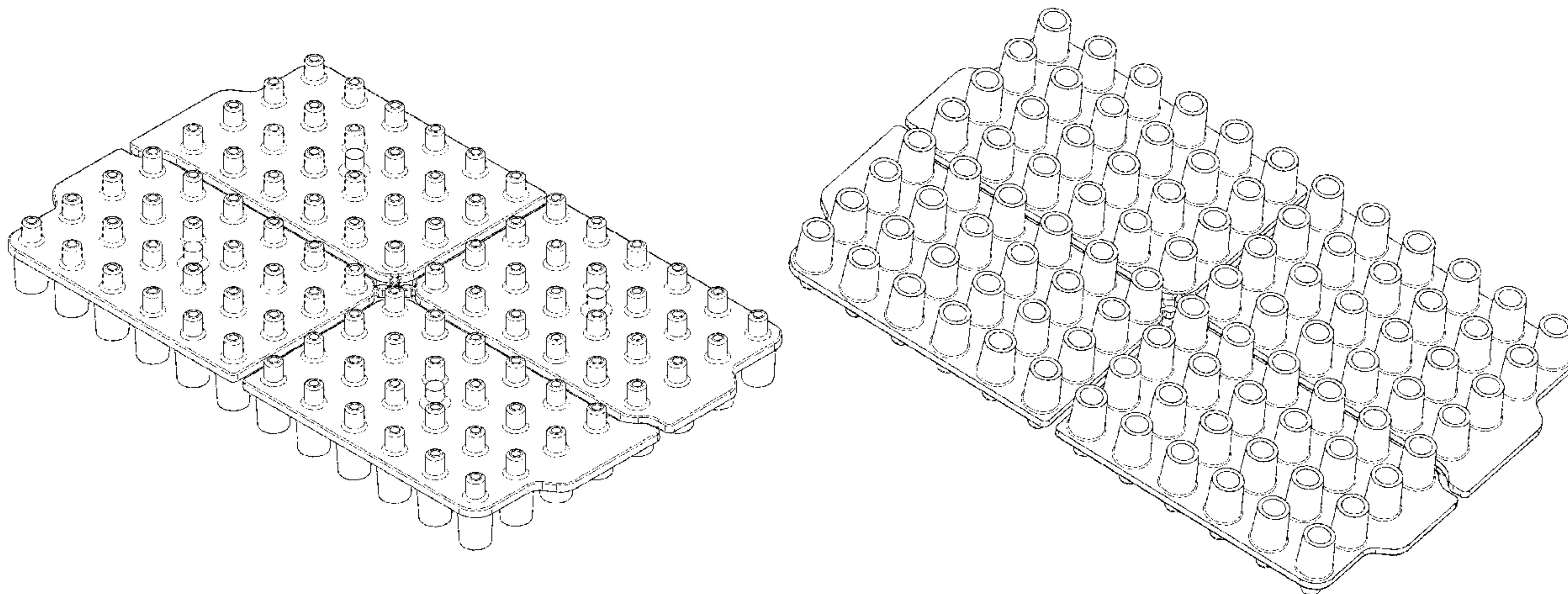
(57) **CLAIM**

The ornamental design for a pipette tip adapter, as shown and described.

DESCRIPTION

FIG. 1 is a top perspective view of a pipette tip adapter; FIG. 2 is a bottom perspective view thereof; FIG. 3 is a top view thereof; FIG. 4 is a bottom view thereof; FIG. 5 is a side view thereof; FIG. 6 is a side view thereof; FIG. 7 is a front view thereof; and, FIG. 8 is a back view thereof.

1 Claim, 6 Drawing Sheets



(56)

References Cited

U.S. PATENT DOCUMENTS

D804,050	S *	11/2017	Coulling	D24/224
D804,052	S *	11/2017	Dadachanji	D24/230
D815,753	S *	4/2018	Curry	D24/227
D824,535	S *	7/2018	Curry	D24/227
D848,638	S *	5/2019	Sims	D24/226
D861,190	S *	9/2019	Potdar	D24/230
D867,614	S *	11/2019	Jones	D24/227
2002/0086440	A1	7/2002	Lehtinen et al.	
2002/0125197	A1	9/2002	Hager et al.	
2002/0146353	A1	10/2002	Bevirt et al.	
2004/0071602	A1	4/2004	Yiu	
2004/0231438	A1	11/2004	Schwartz	
2007/0048188	A1	3/2007	Bigus	
2007/0221684	A1	9/2007	Steinbrenner et al.	
2009/0129985	A1	5/2009	Ikushima	
2010/0252579	A1	10/2010	Steinbrenner et al.	
2011/0268628	A1	11/2011	Warhurst et al.	
2011/0286897	A1*	11/2011	Uschkureit	B29C 45/0081 422/553
2012/0103861	A1*	5/2012	Song	A61B 50/33 206/563
2012/0258026	A1	10/2012	Naumann	
2013/0047751	A1	2/2013	Voss et al.	
2013/0078624	A1	3/2013	Holmes et al.	
2016/0167041	A1*	6/2016	Curry	B01L 3/0275 422/526
2017/0354965	A1	12/2017	Cote	
2018/0117584	A1*	5/2018	Cote	B01L 3/0217

OTHER PUBLICATIONS

“Extended European Search Report dated Sep. 20, 2018 in Europe Patent Application No. 18184263.4, filed on Jul. 18, 2018”, 6 pages.

“International Preliminary Report on Patentability dated Jan. 30, 2014 in International Patent Application No. PCT/US2012/045925, filed on Jul. 9, 2012”, 8 pages.

“International Preliminary Report on Patentability dated Jun. 1, 2017 in International Patent Application No. PCT/US2015/061329, filed on Nov. 18, 2015”, 9 pages.

“International Search Report and Written Opinion dated Dec. 7, 2012 in International Patent Application No. PCT/US2012/045925, filed on Jul. 9, 2012”, 9 pages.

“International Search Report and Written Opinion dated Jan. 29, 2016 in International Patent Application No. PCT/US2015/061329, filed on Nov. 18, 2015”, 10 pages.

“Office Action dated Apr. 6, 2018 in U.S. Appl. No. 14/131,278, filed Apr. 29, 2014 and published as US 2018-0117584 on May 3, 2018”, 6 pages.

“Office Action dated Aug. 27, 2018 in U.S. Appl. No. 14/131,278, filed Apr. 29, 2014 and published as US 2018-0117584 on May 3, 2018”, 10 pages.

“Office Action dated Feb. 4, 2019 in U.S. Appl. No. 14/131,278, filed Apr. 29, 2014 and published as US 2018-0117584 on May 3, 2018”, 11 pages.

“Office Action dated Jan. 7, 2020 in U.S. Appl. No. 14/131,278, filed Apr. 29, 2014 and published as US 2018-0117584 on May 3, 2018”, 11 pages.

“Office Action dated Jul. 15, 2019 in U.S. Appl. No. 14/131,278, filed Apr. 29, 2014 and published as US 2018-0117584 on May 3, 2018”, 9 pages.

“Office Action dated Sep. 9, 2019 in U.S. Appl. No. 15/527,419, filed May 17, 2017 and published as US 2017-0354965 on Dec. 14, 2017”, 19 pages.

“Office Action dated Jun. 23, 2020 in U.S. Appl. No. 15/527,419, filed May 17, 2017 and published as US 2017-0354965 on Dec. 14, 2017”, 10 pages.

* cited by examiner

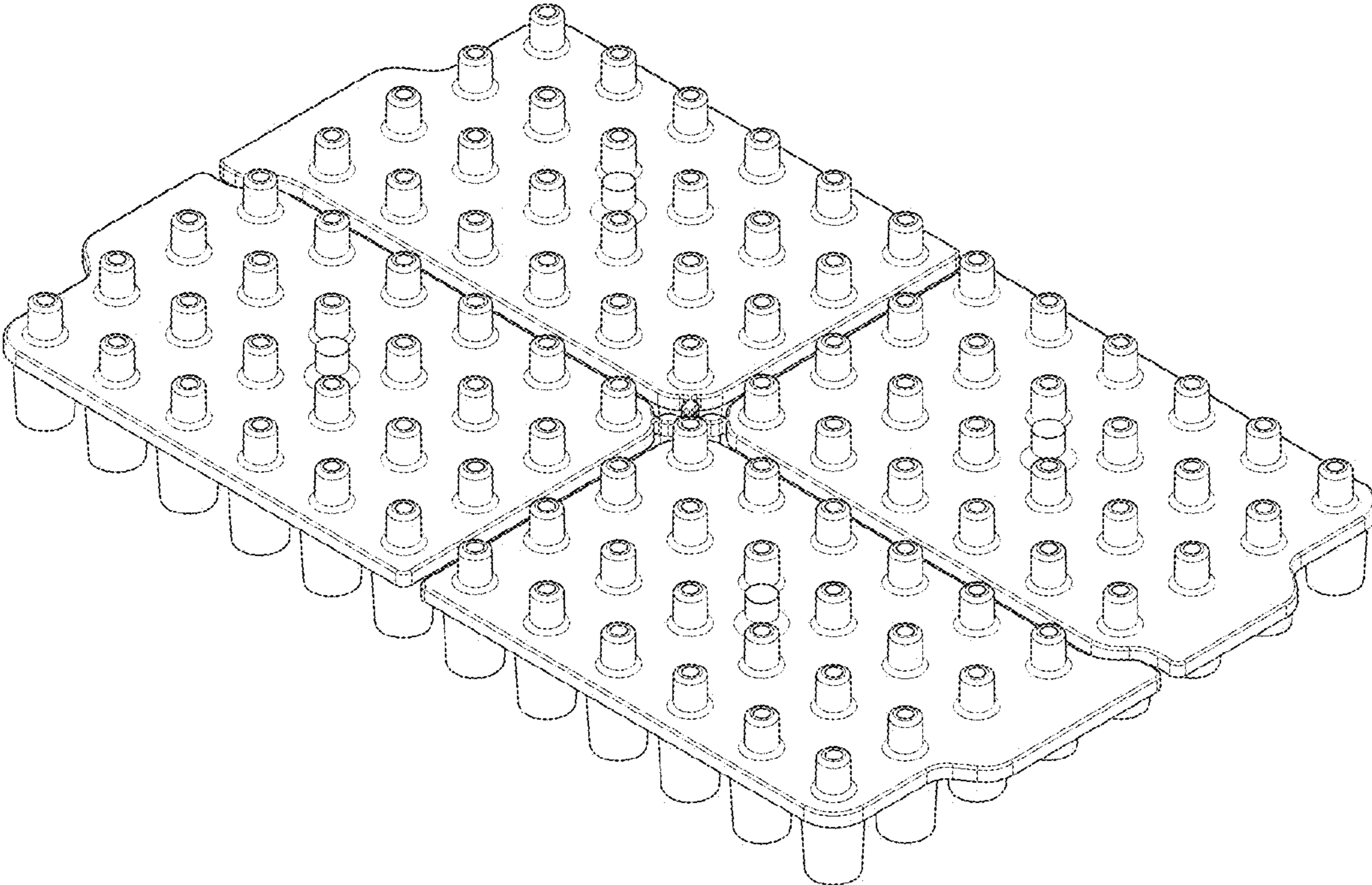


FIG. 1

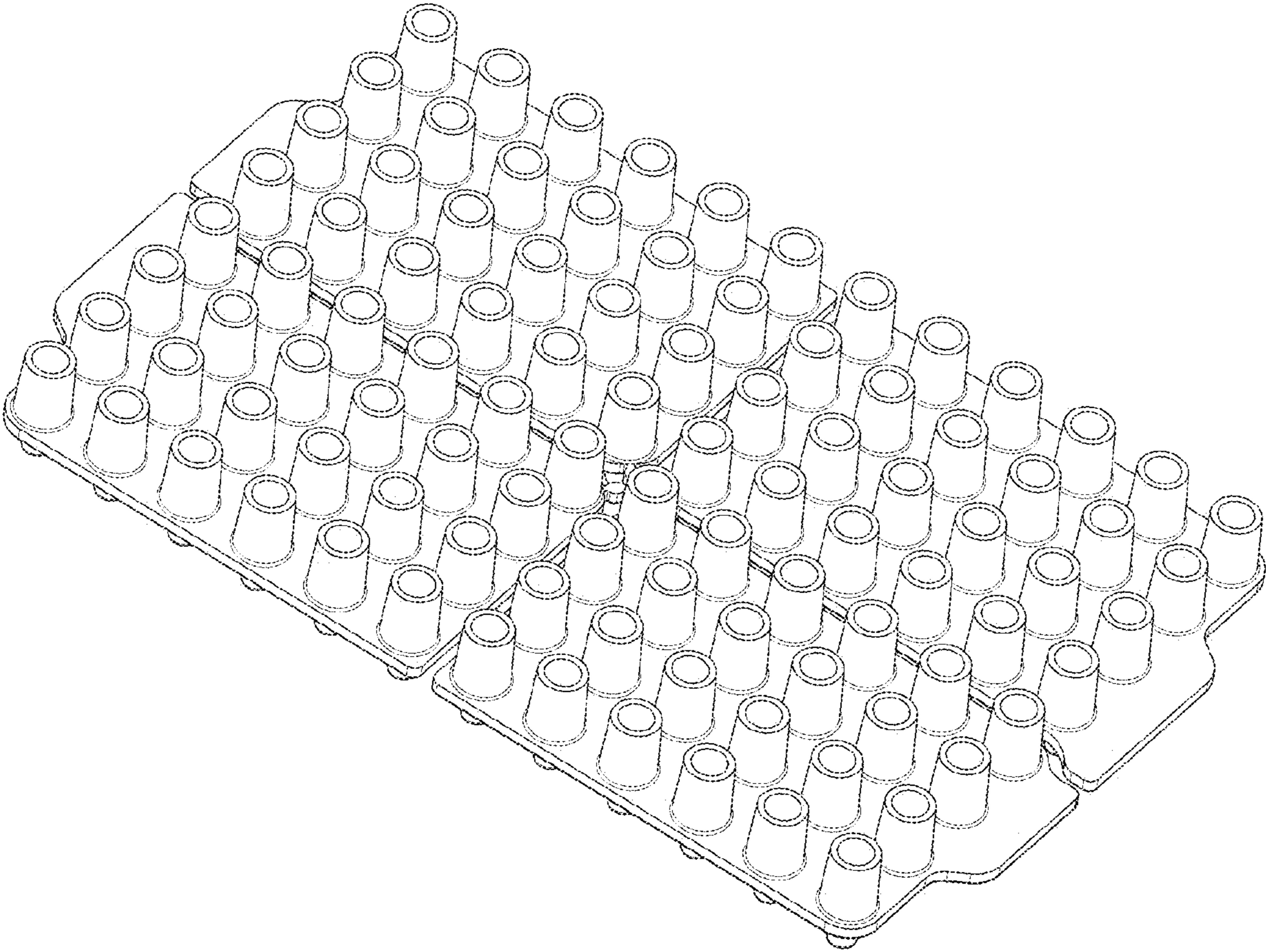


FIG. 2

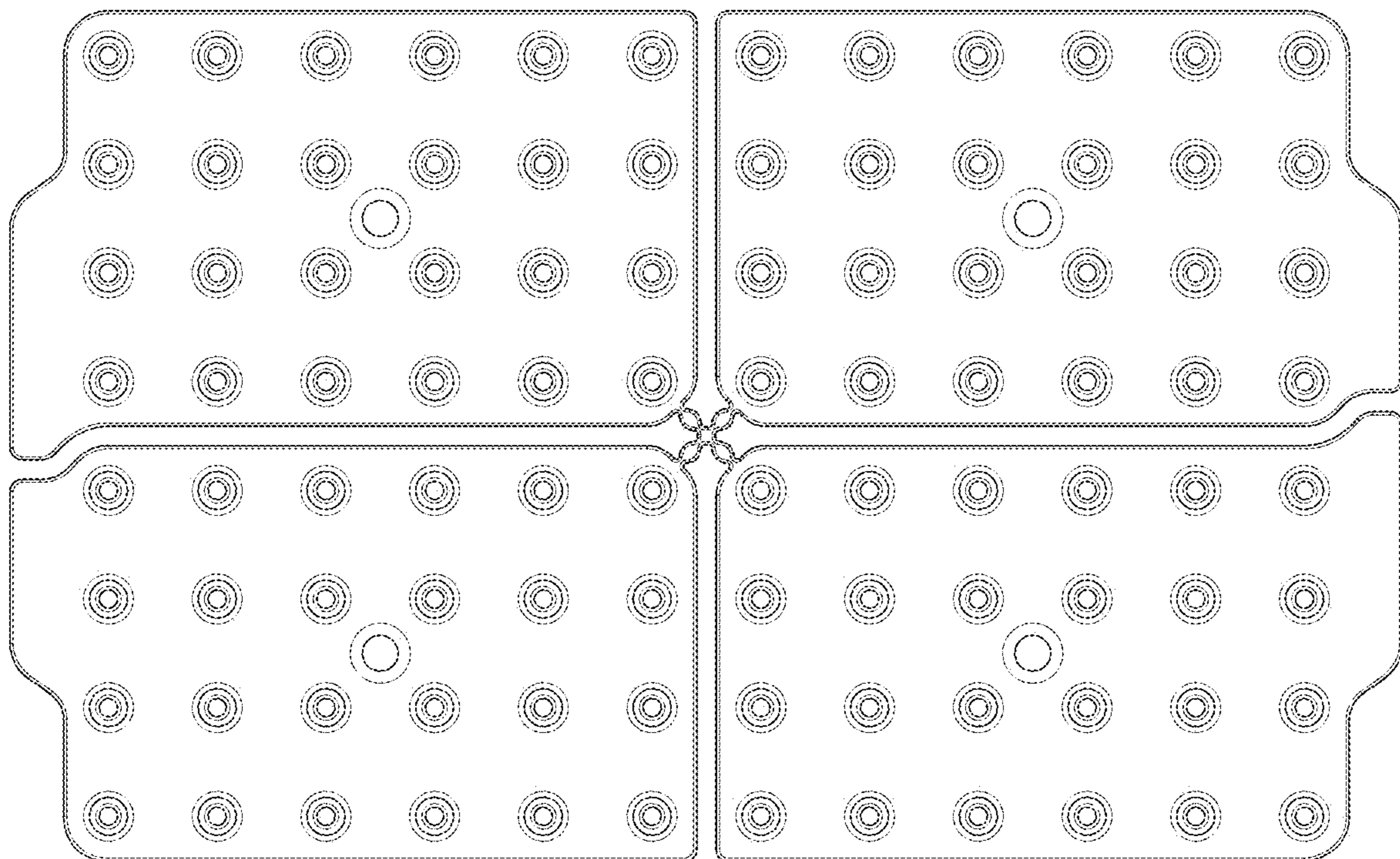


FIG. 3

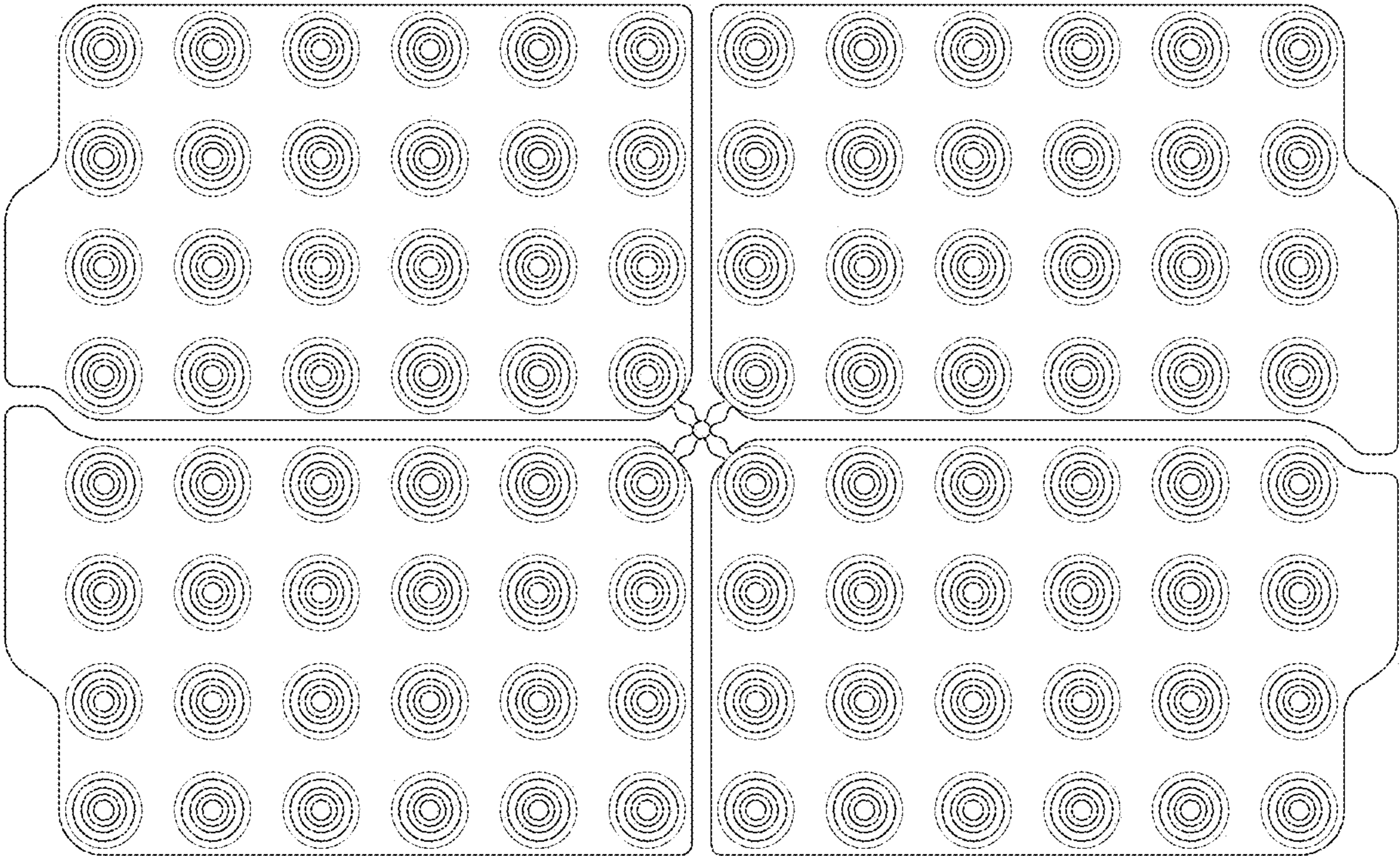


FIG. 4

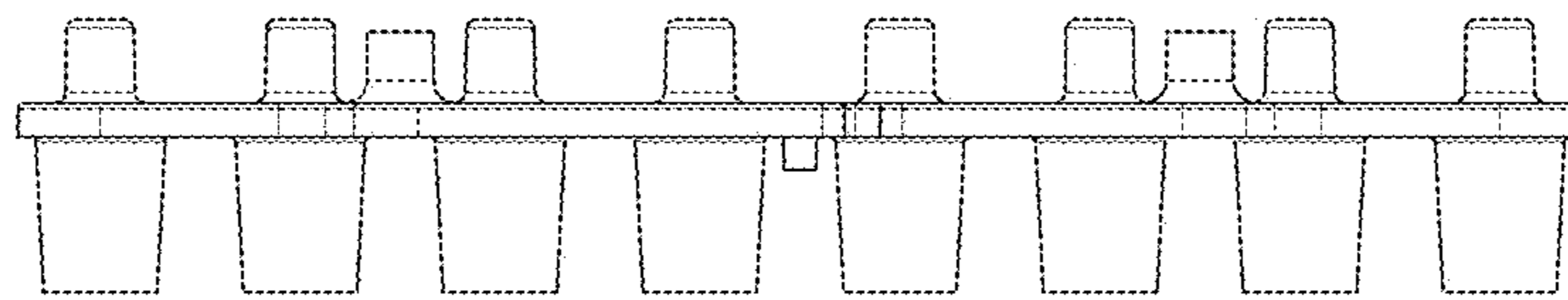


FIG. 5

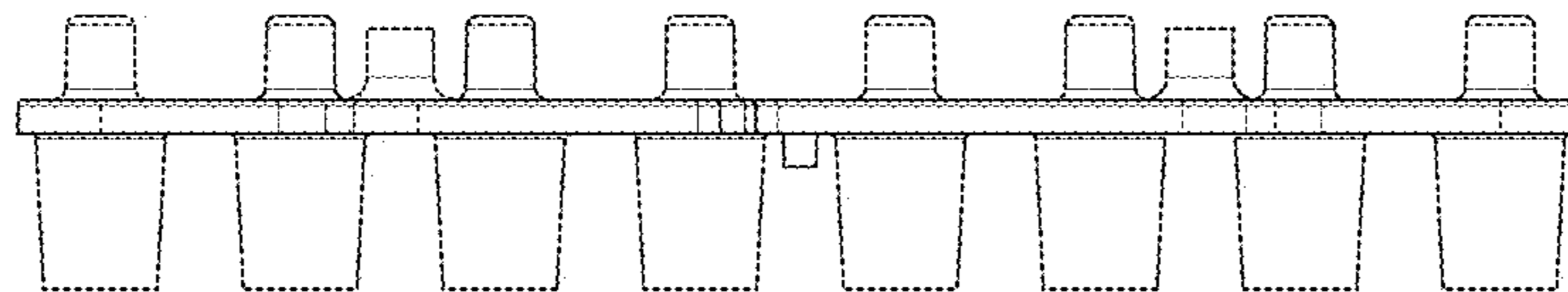


FIG. 6

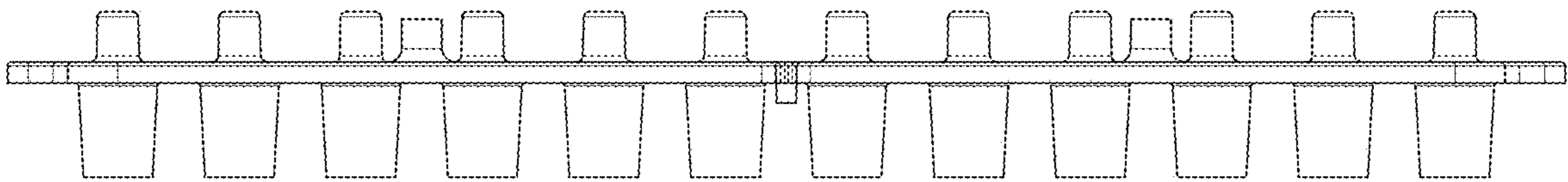


FIG. 7

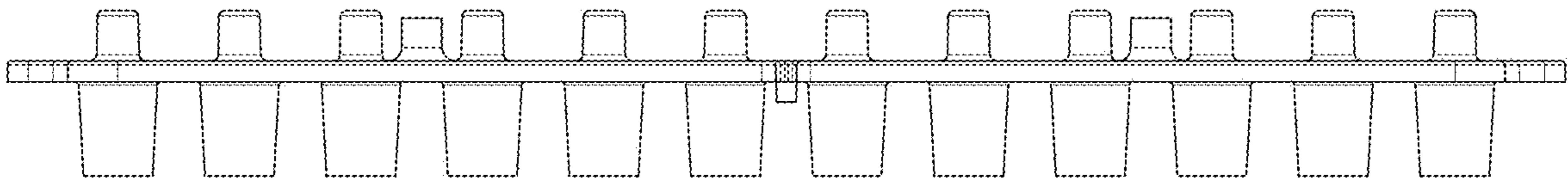


FIG. 8