



US00D905266S

(12) **United States Design Patent**  
**Liu et al.**

(10) **Patent No.:** **US D905,266 S**  
(45) **Date of Patent:** **\*\* Dec. 15, 2020**

(54) **NECK MASSAGER**  
(71) Applicant: **GUANGDONG SKG INTELLIGENT TECHNOLOGY CO., LTD**, Foshan (CN)  
(72) Inventors: **Jie Liu**, Foshan (CN); **Gui-Yuan Li**, Foshan (CN)  
(73) Assignee: **GUANGDONG SKG INTELLIGENT TECHNOLOGY CO., LTD**, Foshan (CN)

D852,974 S \* 7/2019 Lee ..... D24/215  
D853,577 S \* 7/2019 Li ..... D24/215  
D884,913 S \* 5/2020 Peng ..... D24/215  
D886,495 S \* 6/2020 Wong ..... D6/601  
D887,019 S \* 6/2020 Wang ..... D24/215  
D888,263 S \* 6/2020 Du ..... D24/215  
D889,165 S \* 7/2020 Chen ..... D6/601  
2013/0184621 A1\* 7/2013 Ma ..... A61H 7/004  
601/134  
2014/0188019 A1\* 7/2014 Ma ..... A61H 7/007  
601/112

(Continued)

(\*\*) Term: **15 Years**  
(21) Appl. No.: **29/694,914**  
(22) Filed: **Jun. 14, 2019**  
(51) **LOC (12) Cl.** ..... **28-03**  
(52) **U.S. Cl.**  
USPC ..... **D24/215**  
(58) **Field of Classification Search**  
USPC ..... D24/191, 200, 211, 214, 215  
CPC ..... A61H 2205/04; A61H 2205/062; A61H 2201/1614; A63B 23/12  
See application file for complete search history.

**OTHER PUBLICATIONS**

Amazon, "SKG\_Neck Massager", Feb. 10, 2020. [https://www.amazon.com/SKG-Massager-Portable-Equipment-Broadcast/dp/B083DFHZ1M/ref=cm\\_cr\\_ar\\_p\\_d\\_product\\_top?ie=UTF8](https://www.amazon.com/SKG-Massager-Portable-Equipment-Broadcast/dp/B083DFHZ1M/ref=cm_cr_ar_p_d_product_top?ie=UTF8). Shown on p. 1. (Year: 2020).\*

*Primary Examiner* — Cynthia Ramirez  
*Assistant Examiner* — Michael A Maharajh  
(74) *Attorney, Agent, or Firm* — ScienBiziP, P.C.

(57) **CLAIM**

The ornamental design for a neck massager, as shown and described.

(56) **References Cited**

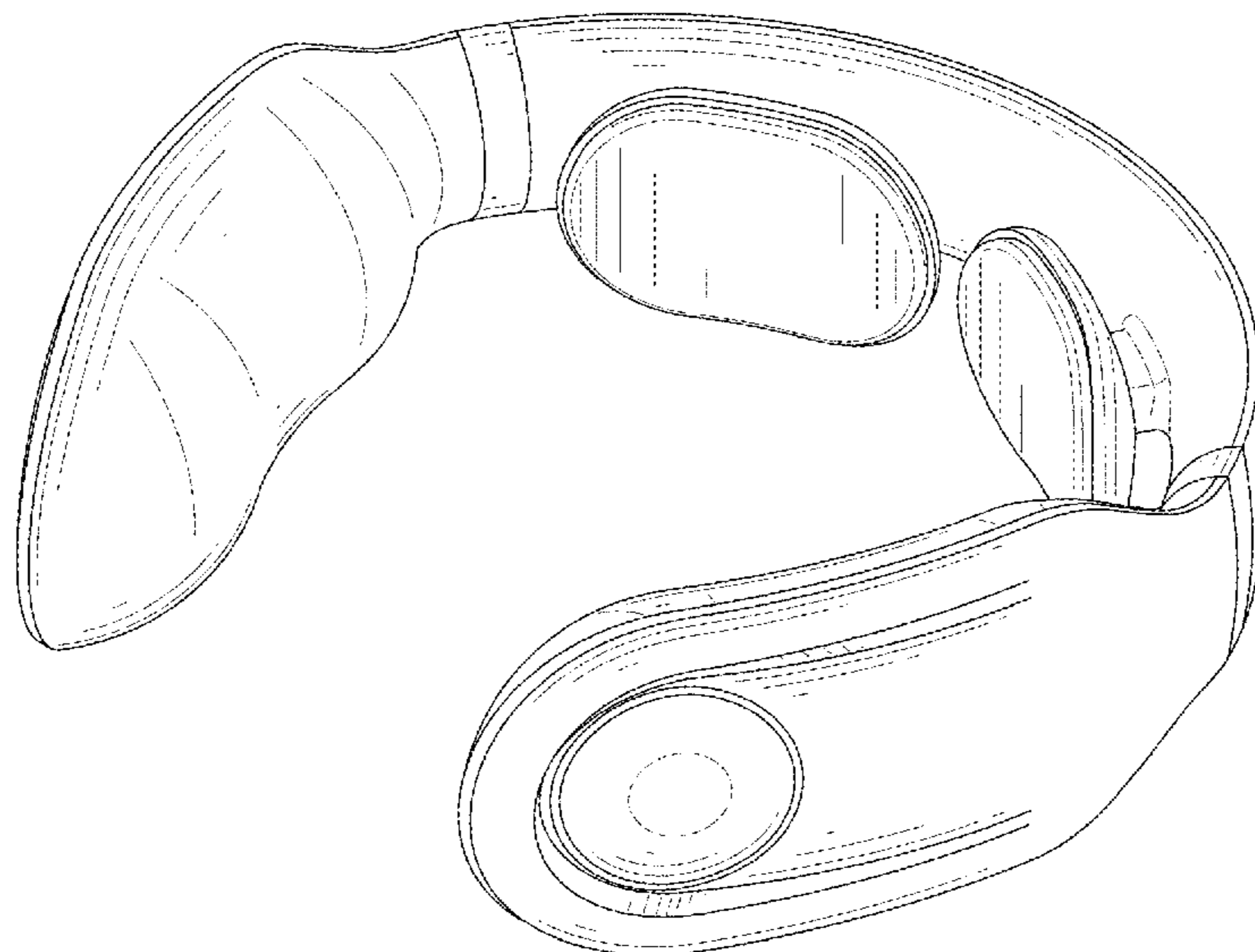
**U.S. PATENT DOCUMENTS**

D293,373 S \* 12/1987 Beck ..... D16/312  
D341,893 S \* 11/1993 Tauber ..... D24/191  
D582,045 S \* 12/2008 James ..... D24/191  
D609,818 S \* 2/2010 Tsang ..... D24/215  
D670,396 S \* 11/2012 Doogan ..... D24/200  
D693,016 S \* 11/2013 Ma ..... D24/215  
D739,543 S \* 9/2015 Ma ..... D24/215  
D769,453 S \* 10/2016 Ma ..... D24/215  
D810,312 S \* 2/2018 Cascini ..... D24/200  
D816,858 S \* 5/2018 Gan ..... D24/215  
D817,508 S \* 5/2018 Gan ..... D24/215  
D818,596 S \* 5/2018 Zheng ..... D24/200  
D847,361 S \* 4/2019 Lee ..... D24/215  
D851,272 S \* 6/2019 Huang ..... D24/215

**DESCRIPTION**

FIG. 1 is a perspective view of a neck massager showing our design;  
FIG. 2 is a front elevational view thereof;  
FIG. 3 is a rear elevational view thereof;  
FIG. 4 is a left side elevational view thereof;  
FIG. 5 is a right side elevational view thereof;  
FIG. 6 is a top plan view thereof; and,  
FIG. 7 is a bottom plan view thereof.  
The broken lines and unshaded regions bounded by broken lines are for the purpose of illustrating portions of the neck massager that form no part of the claimed design.

**1 Claim, 7 Drawing Sheets**



(56)

**References Cited**

U.S. PATENT DOCUMENTS

2015/0272814 A1\* 10/2015 Chen ..... A61H 15/0085  
601/97  
2020/0206493 A1\* 7/2020 Liu ..... A61N 1/32

\* cited by examiner

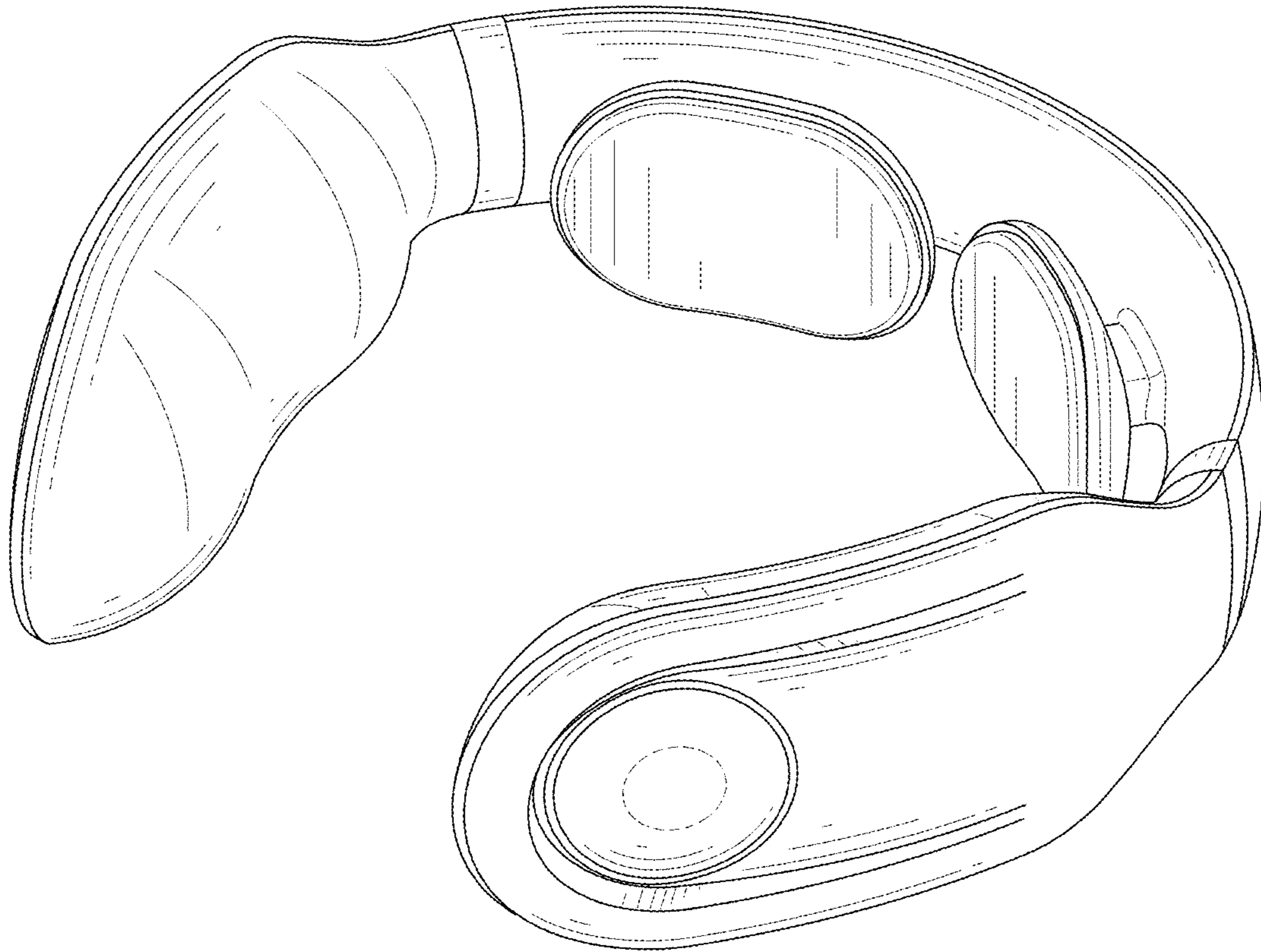


FIG. 1



FIG. 2

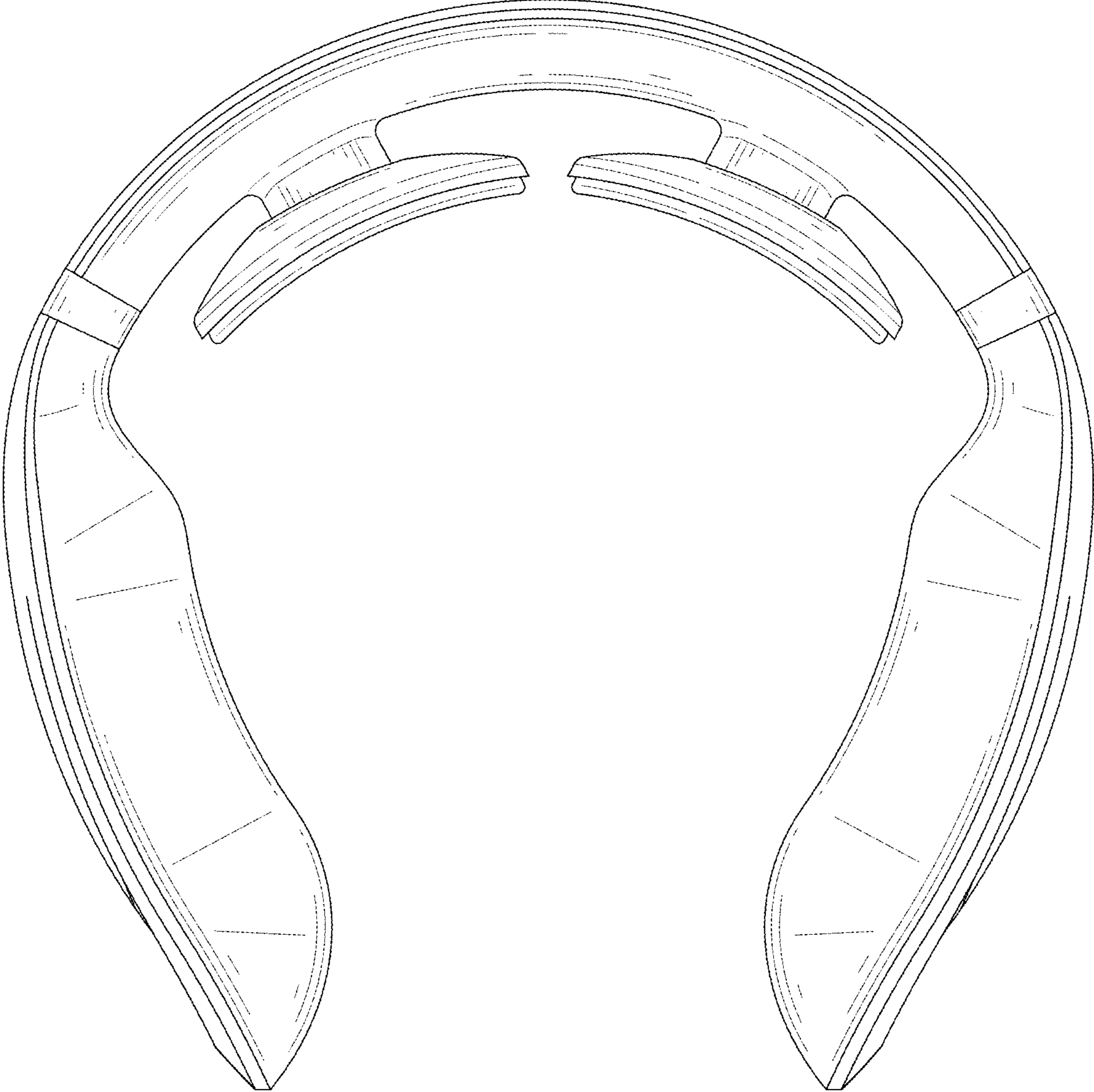


FIG. 3

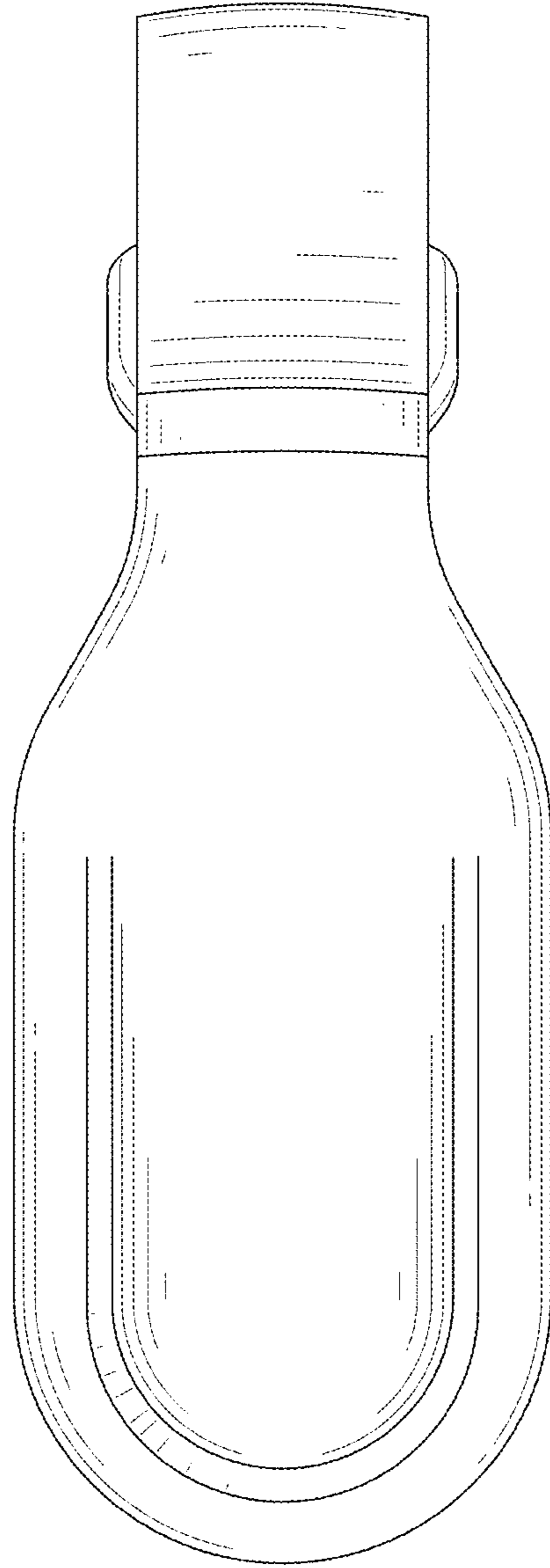


FIG. 4

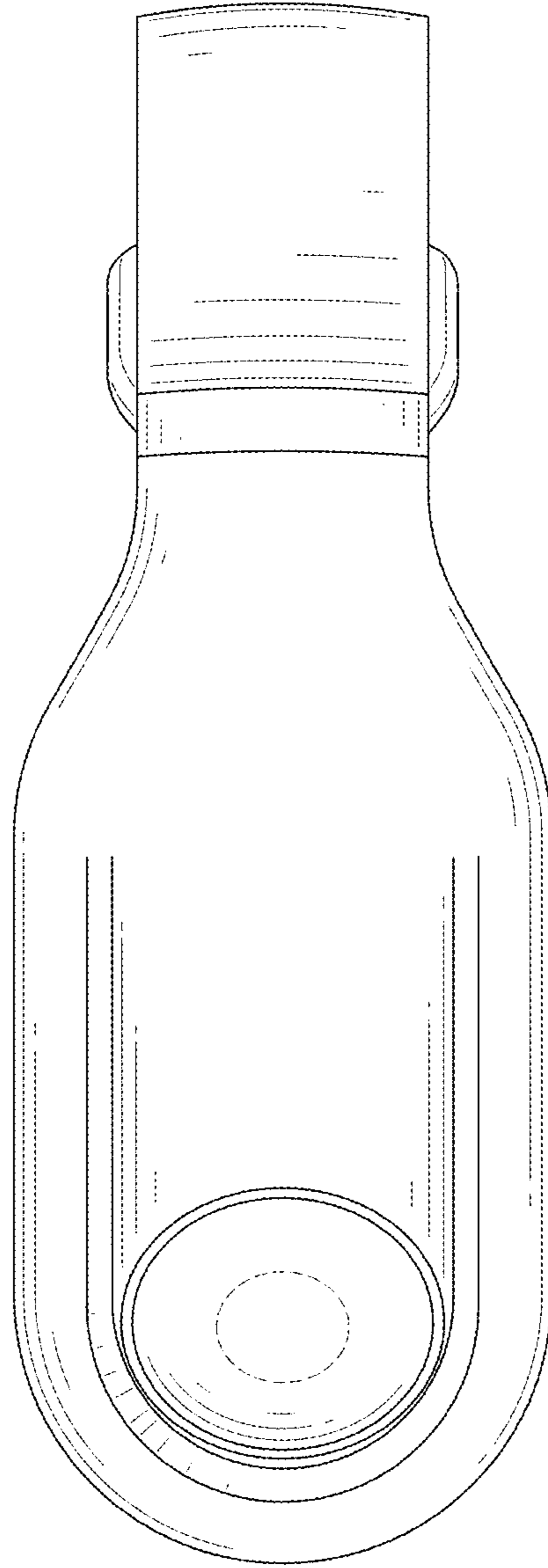


FIG. 5

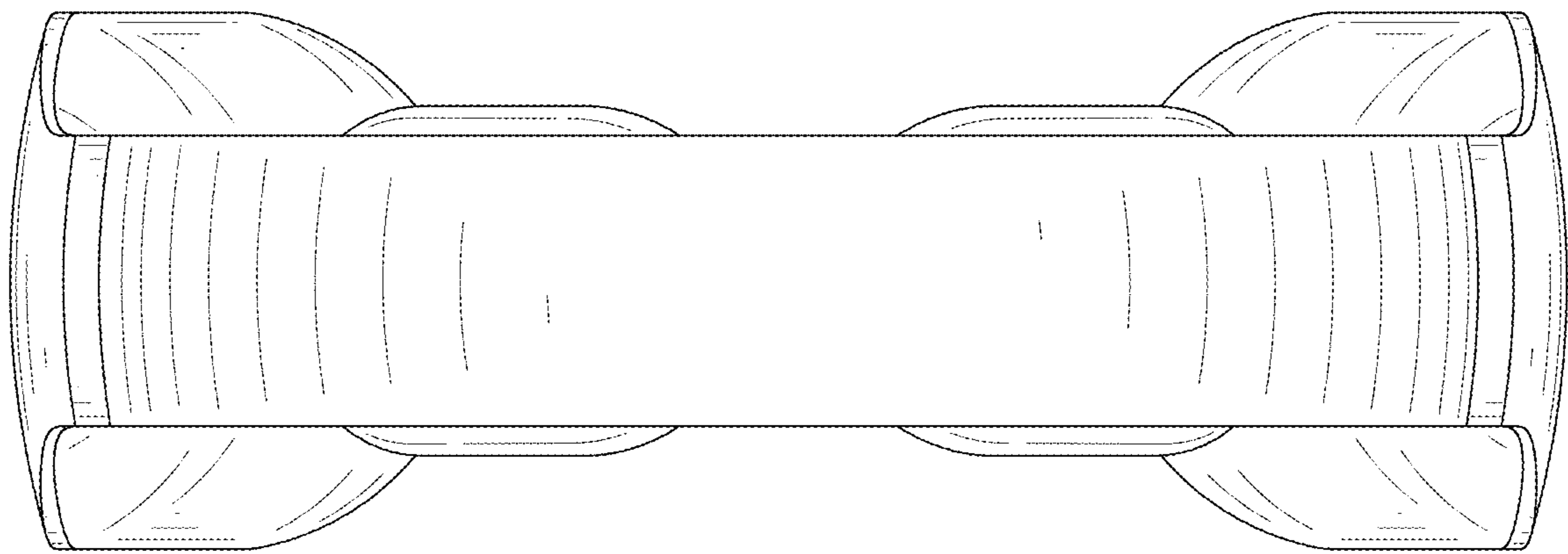


FIG. 6



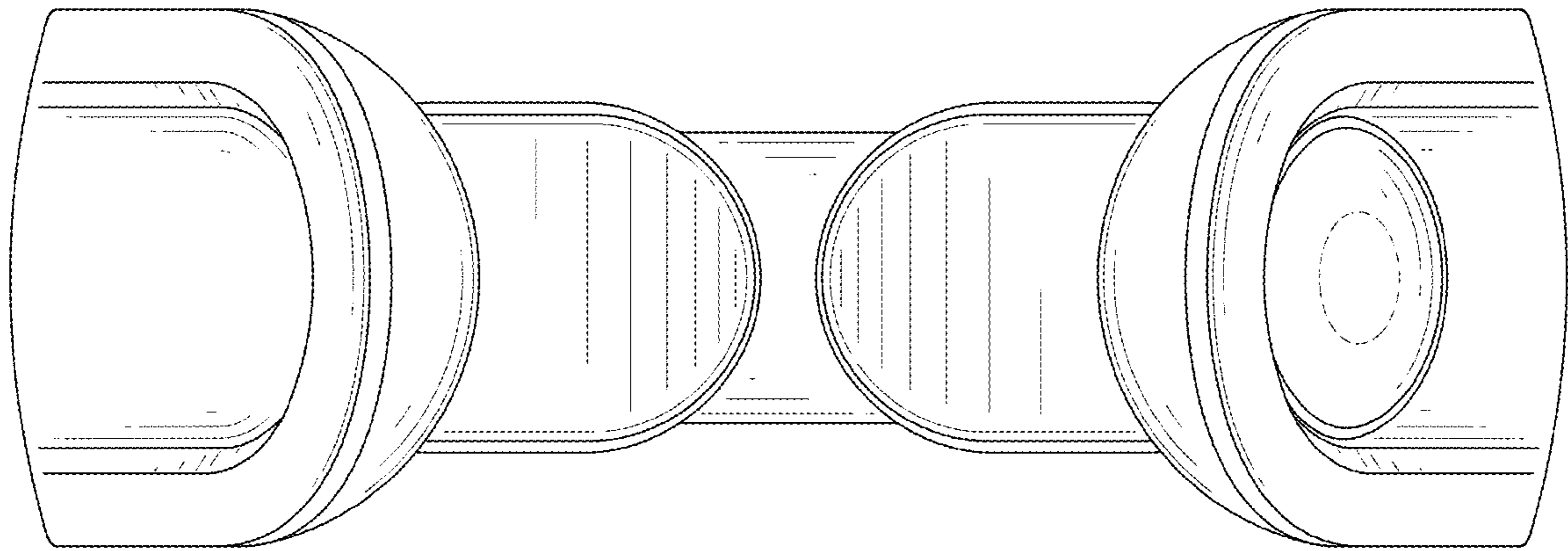


FIG. 7