



US00D905263S

(12) **United States Design Patent** (10) **Patent No.:** **US D905,263 S**
Paczewski (45) **Date of Patent:** **** Dec. 15, 2020**

(54) **MASSAGING DEVICE**
(71) Applicant: **Eric Paczewski**, Dallas, PA (US)
(72) Inventor: **Eric Paczewski**, Dallas, PA (US)
(**) Term: **15 Years**
(21) Appl. No.: **29/646,526**
(22) Filed: **May 4, 2018**
(51) **LOC (12) Cl.** **28-03**
(52) **U.S. Cl.**
USPC **D24/215**
(58) **Field of Classification Search**
USPC D24/200, 211, 214, 215; D28/91.2;
D12/130, 178
CPC A61H 15/0092; A61H 2201/1635; A61H
2205/081
See application file for complete search history.

D444,566 S * 7/2001 Thomas D24/214
D448,851 S * 10/2001 Louis D24/211
D452,572 S * 12/2001 Nakamura D24/200
D456,909 S * 5/2002 Szabo D24/214

(Continued)

OTHER PUBLICATIONS

UMassage: Self Back Massager. Product description [online]. Resna Student Design Competition [retrieved on Feb. 15, 2017]. Retrieved from the Internet: <URL: <http://aac-rerc.psu.edu/wordpressmu/RESNA-SDC/2014/06/05/umassage-self-back-massager-university-of-north-carolina-at-chapel-hill/>>.

Primary Examiner — Cynthia Ramirez
Assistant Examiner — Michael A Maharajh
(74) *Attorney, Agent, or Firm* — Cramer Patent & Design, PLLC; Aaron R. Cramer

(57) **CLAIM**

The ornamental design for a massaging device, as shown and described.

DESCRIPTION

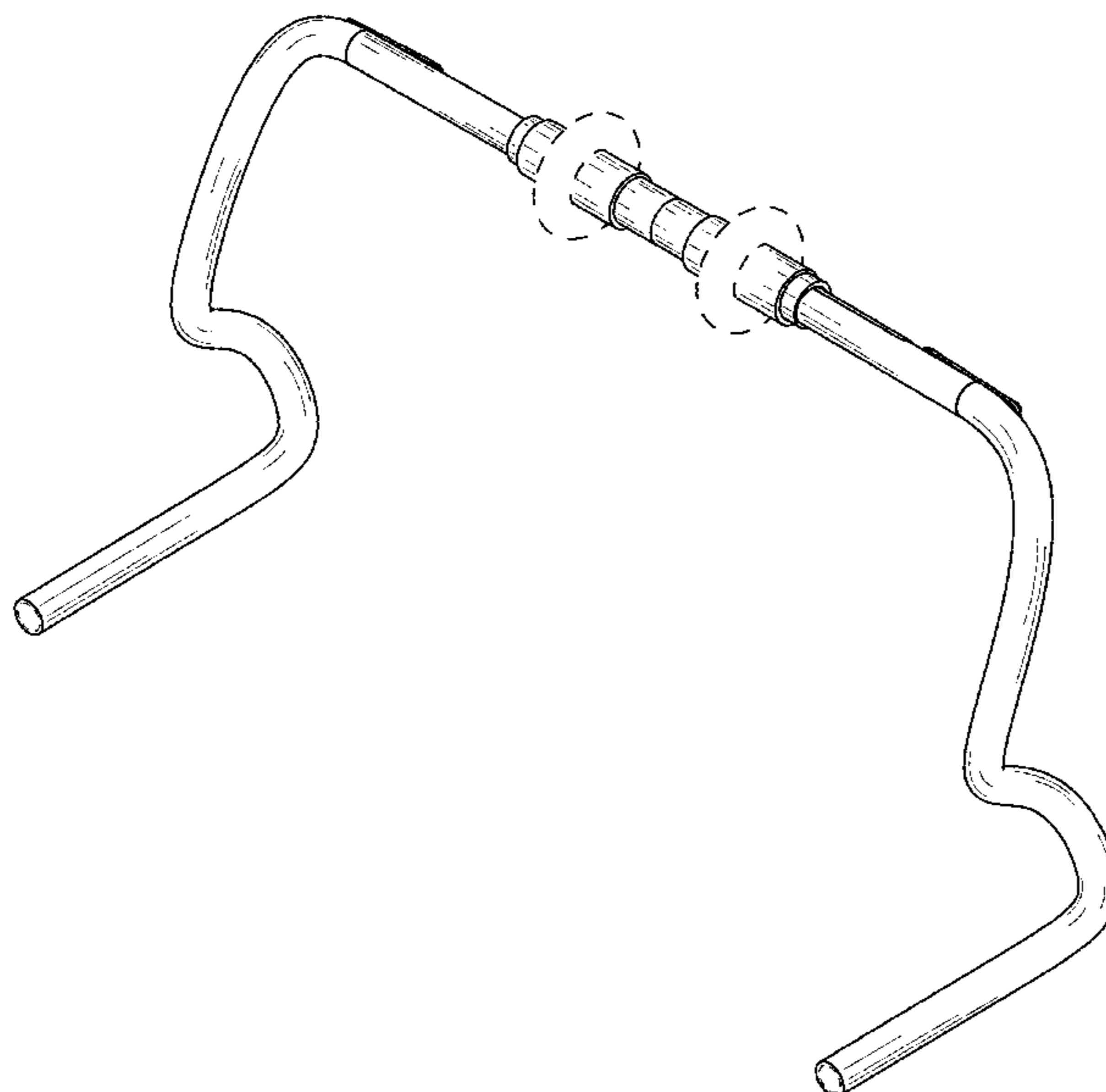
FIG. 1 is a perspective top front right view of a massaging device, fully extended, showing my new design;
FIG. 2 is a perspective top rear left view thereof of the massaging device, fully extended;
FIG. 3 is a perspective top front right view thereof, in a retracted state;
FIG. 4 is a perspective top rear left view thereof, in a retracted state;
FIG. 5 is a front elevation view thereof;
FIG. 6 is a rear elevation view thereof;
FIG. 7 is a right side elevation view thereof;
FIG. 8 is a left side elevation view thereof;
FIG. 9 is a top plan view thereof; and,
FIG. 10 is a bottom plan view thereof.
The broken line segments are intended to represent boundaries of the invention and form no part of the claimed design.

(56) **References Cited**

U.S. PATENT DOCUMENTS

D185,246 S * 5/1959 Taran D24/211
D258,687 S * 3/1981 Katsube 601/107
D268,362 S * 3/1983 Wong D21/399
D274,360 S * 6/1984 Gomez D24/211
D276,823 S * 12/1984 Mueller D20/10
D317,204 S * 5/1991 Hennesseey D24/211
5,020,182 A * 6/1991 Engel A46B 7/04
15/104.94
D339,637 S * 9/1993 Dudoit D24/211
D342,999 S * 1/1994 Gonsalves, Jr. D24/147
D361,841 S * 8/1995 Terashima D24/211
5,730,708 A 3/1998 Spratt
D398,400 S * 9/1998 Havelind D24/211
D402,764 S * 12/1998 Chatfield D24/211
D403,431 S * 12/1998 Gladieux, Jr. D24/215
5,862,564 A * 1/1999 Hamm A47K 7/08
15/143.1
D405,536 S * 2/1999 Haynes D24/214
D423,676 S * 4/2000 Lazio D24/211

1 Claim, 10 Drawing Sheets



(56)

References Cited

U.S. PATENT DOCUMENTS

D461,009 S *	7/2002	Viner	D24/214	D750,796 S *	3/2016	Bains	D24/214
D590,510 S	4/2009	Johansen et al.		D767,157 S *	9/2016	Yu	D24/215
D613,416 S *	4/2010	Schupman	D24/200	D768,307 S *	10/2016	Hetzel	D24/214
D646,794 S *	10/2011	Hennessey	D24/214	D769,454 S *	10/2016	Hong	D24/215
D650,487 S *	12/2011	Briscoe	D24/211	D805,210 S *	12/2017	Leier	D24/211
D675,332 S *	1/2013	Tinder	D24/215	D815,575 S *	4/2018	Temmerman	D12/178
D689,620 S *	9/2013	Louis	D24/215	D830,926 S *	10/2018	Eade	B62K 21/125
D691,731 S *	10/2013	Grippe	A61H 39/04				D12/178
			D24/215	D833,634 S *	11/2018	Kramer	D24/211
D698,936 S *	2/2014	Pudhnum	D24/215	D844,513 S *	4/2019	Izaz	D12/178
D704,852 S *	5/2014	Yang	D24/211	2004/0249325 A1 *	12/2004	Stultz	A61H 7/003
D712,563 S *	9/2014	Pursel	D24/214				601/135
D721,440 S *	1/2015	Pursel	A61H 7/003	2005/0187431 A1 *	8/2005	Hudson	A61H 21/00
			D24/214				600/38
D722,174 S *	2/2015	Almarales	D24/214	2007/0287938 A1	12/2007	Shields	
D722,176 S *	2/2015	Gutman	D24/215	2012/0259257 A1	10/2012	Nelson	
D723,710 S *	3/2015	Ishibashi	D24/215	2014/0350445 A1	11/2014	Lok et al.	
D730,582 S *	5/2015	Lee	D28/91.2	2016/0022529 A1 *	1/2016	Abdo	A61H 15/0092
D742,534 S *	11/2015	Bains	D24/214				601/119
D743,043 S *	11/2015	Cao	D24/215	2016/0166462 A1 *	6/2016	Conder	A61H 39/04
D744,663 S *	12/2015	Holland	D24/211				601/84
				2017/0273855 A1 *	9/2017	Liu	A61H 7/003

* cited by examiner

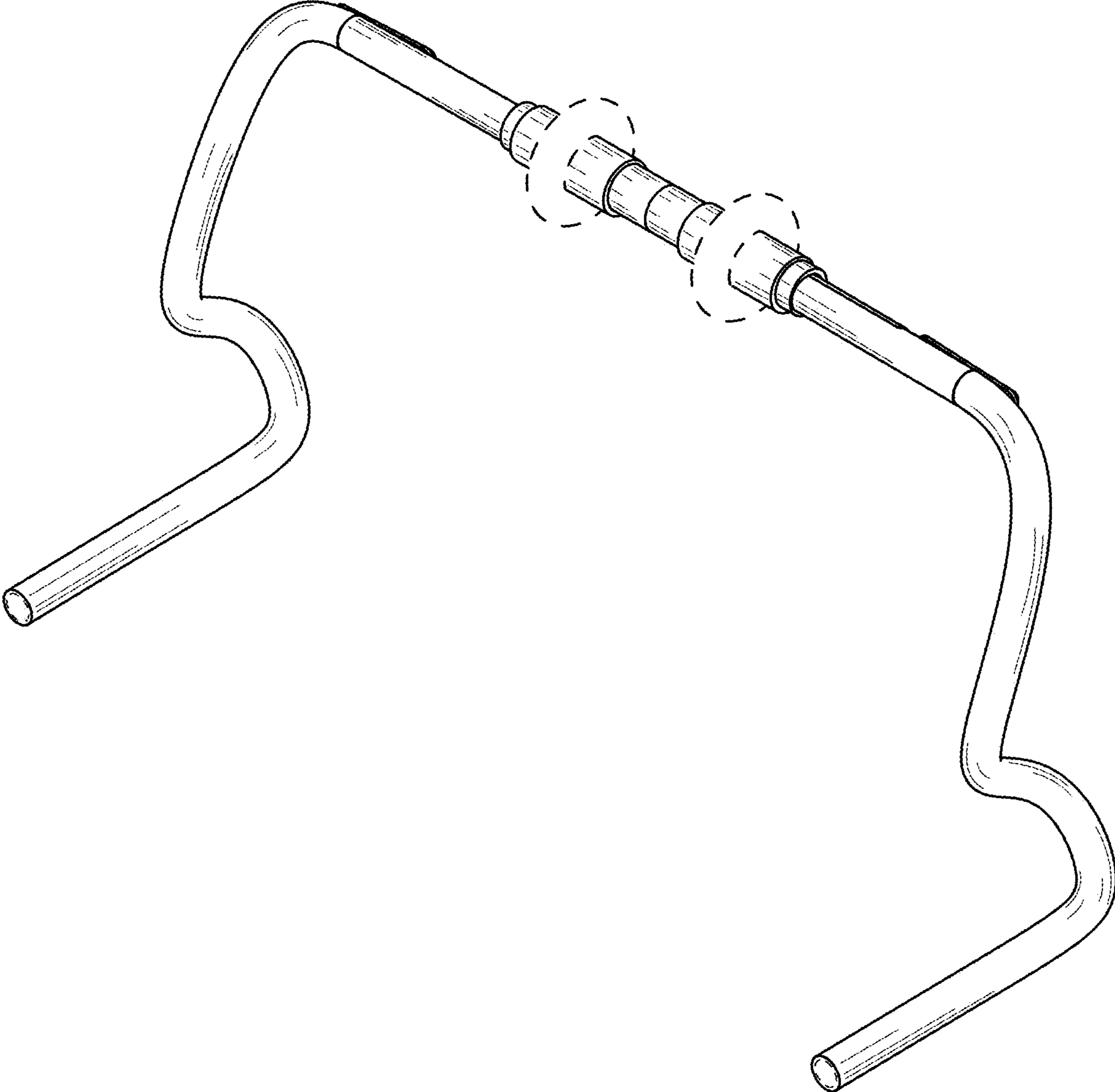


FIG. 1

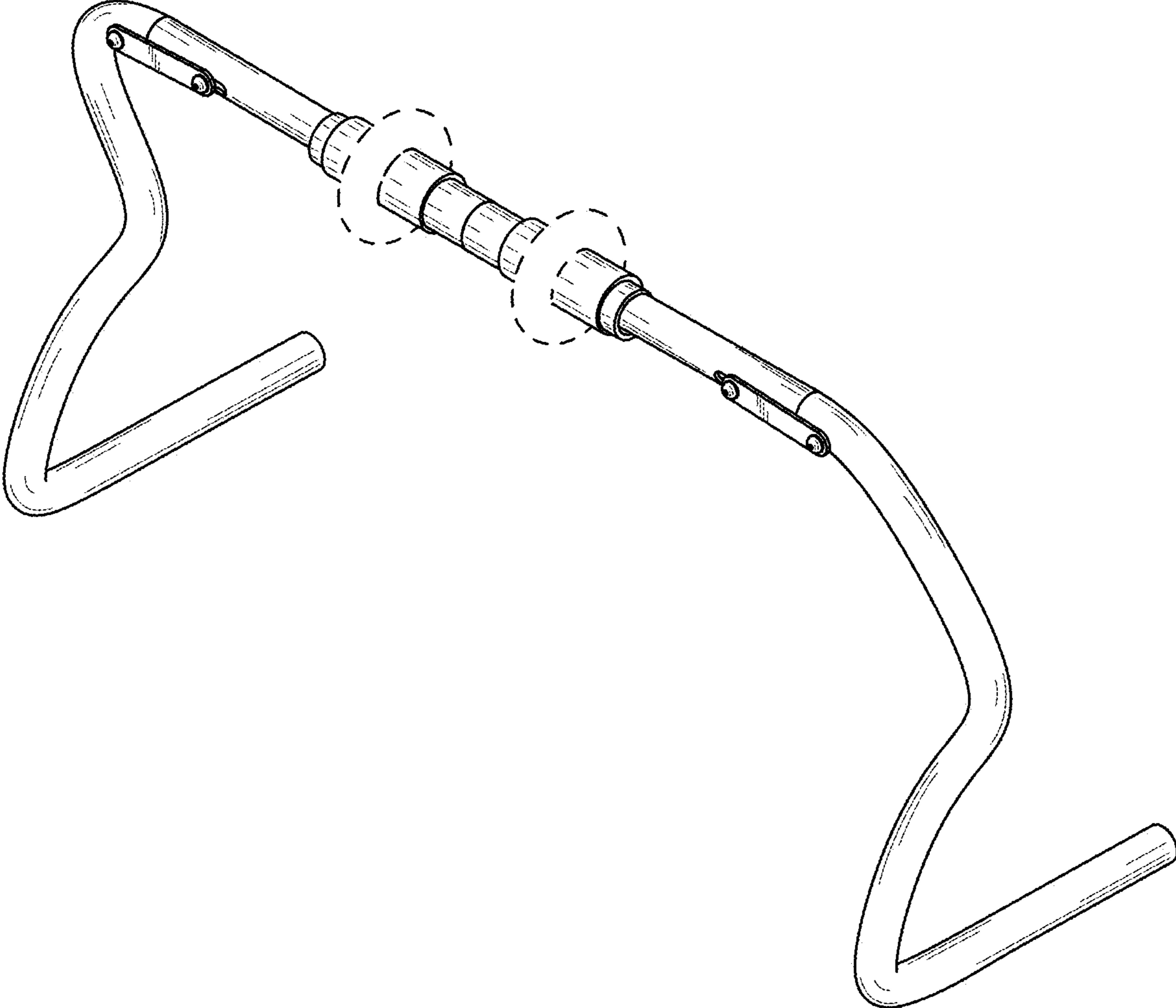


FIG. 2

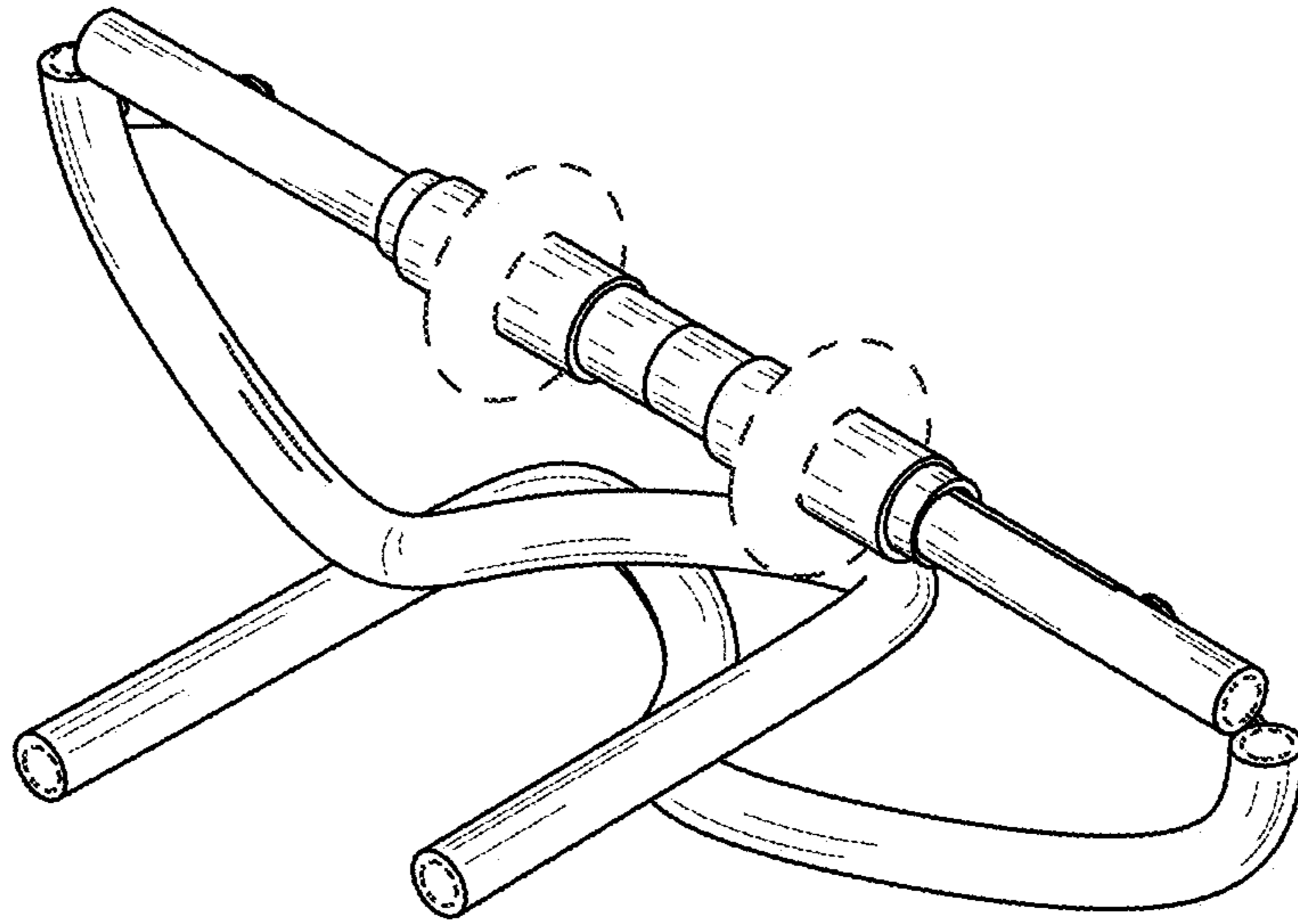


FIG. 3

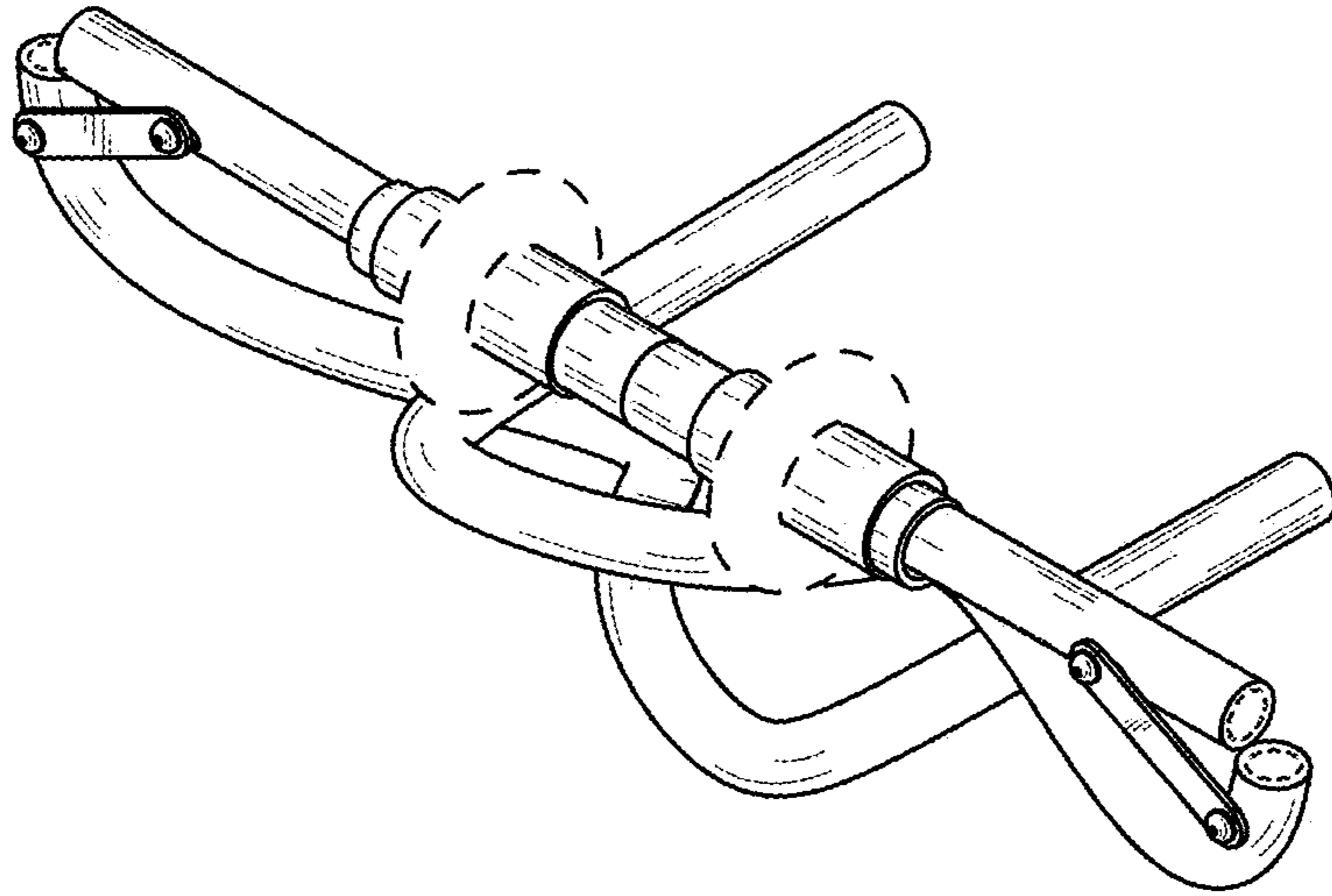


FIG. 4

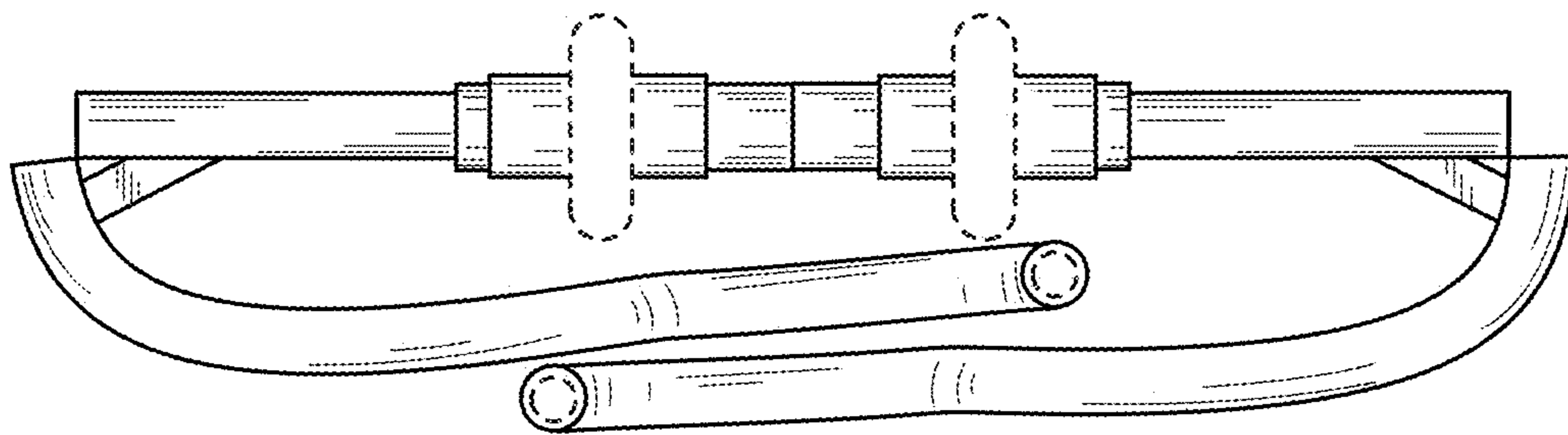


FIG. 5

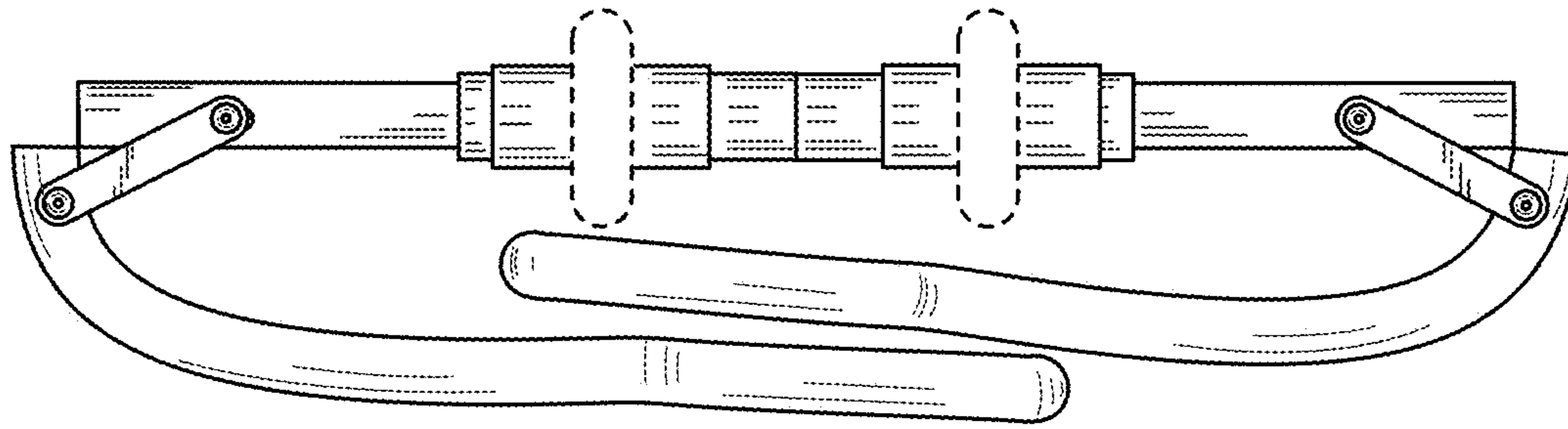


FIG. 6

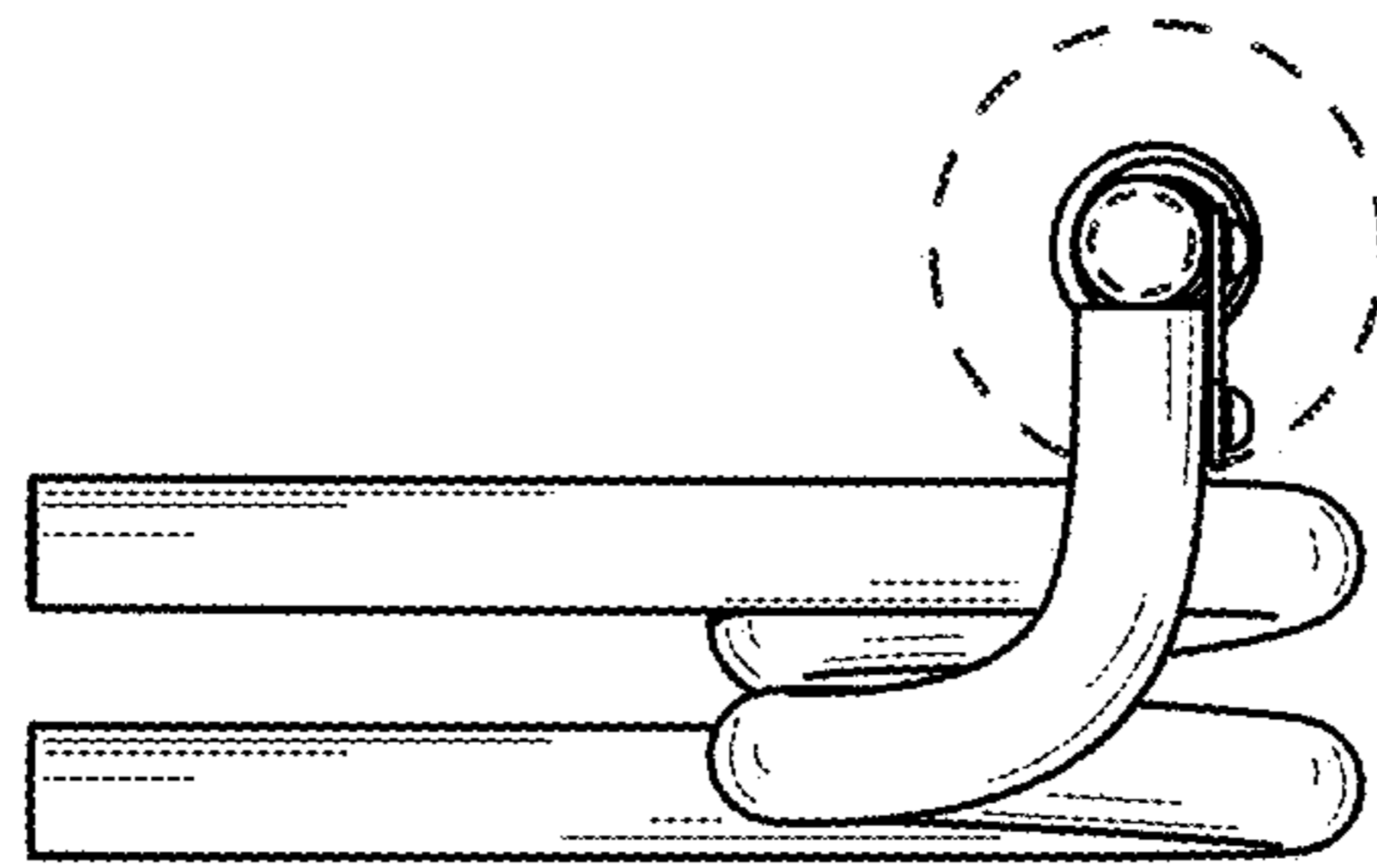


FIG. 7

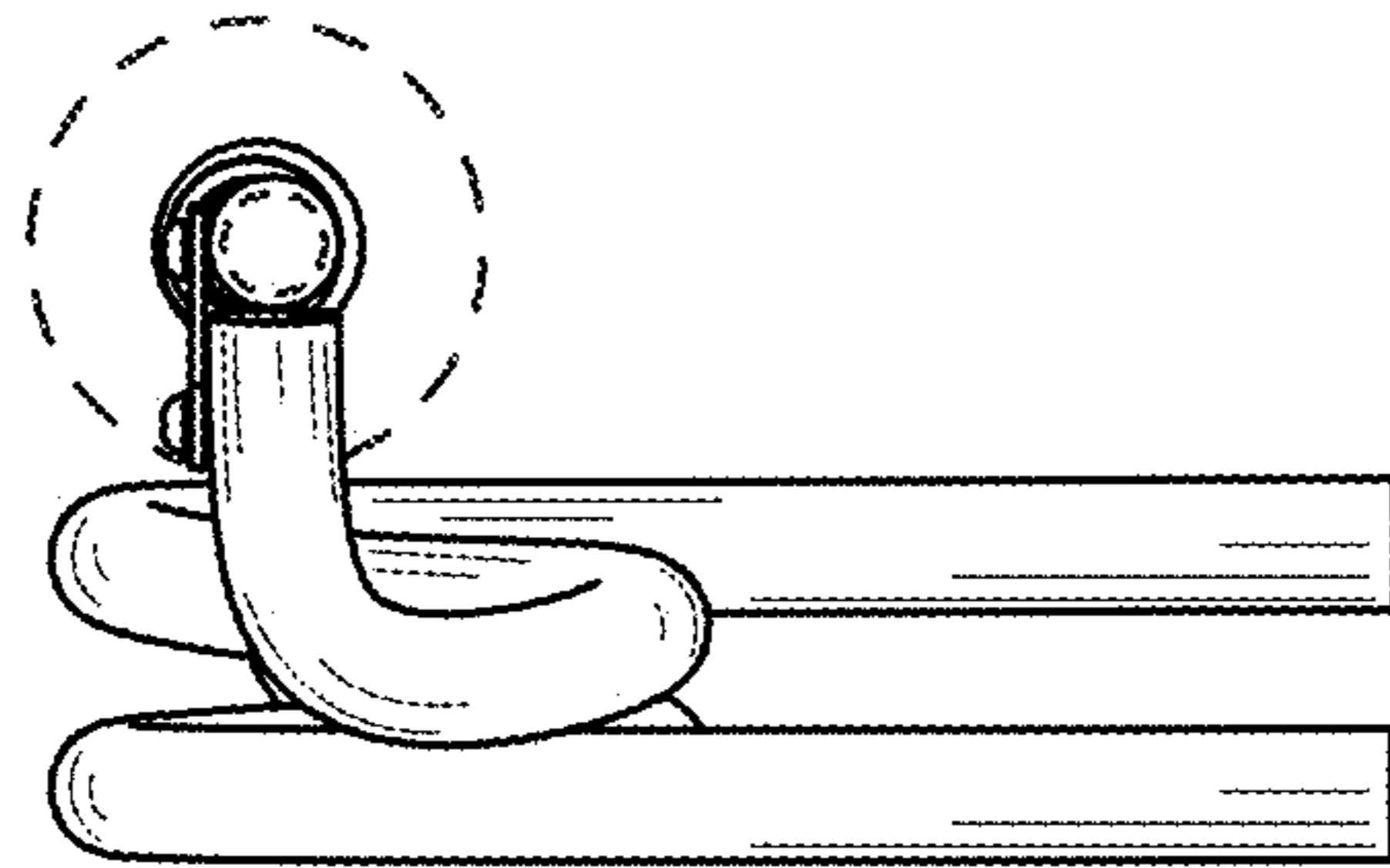


FIG. 8

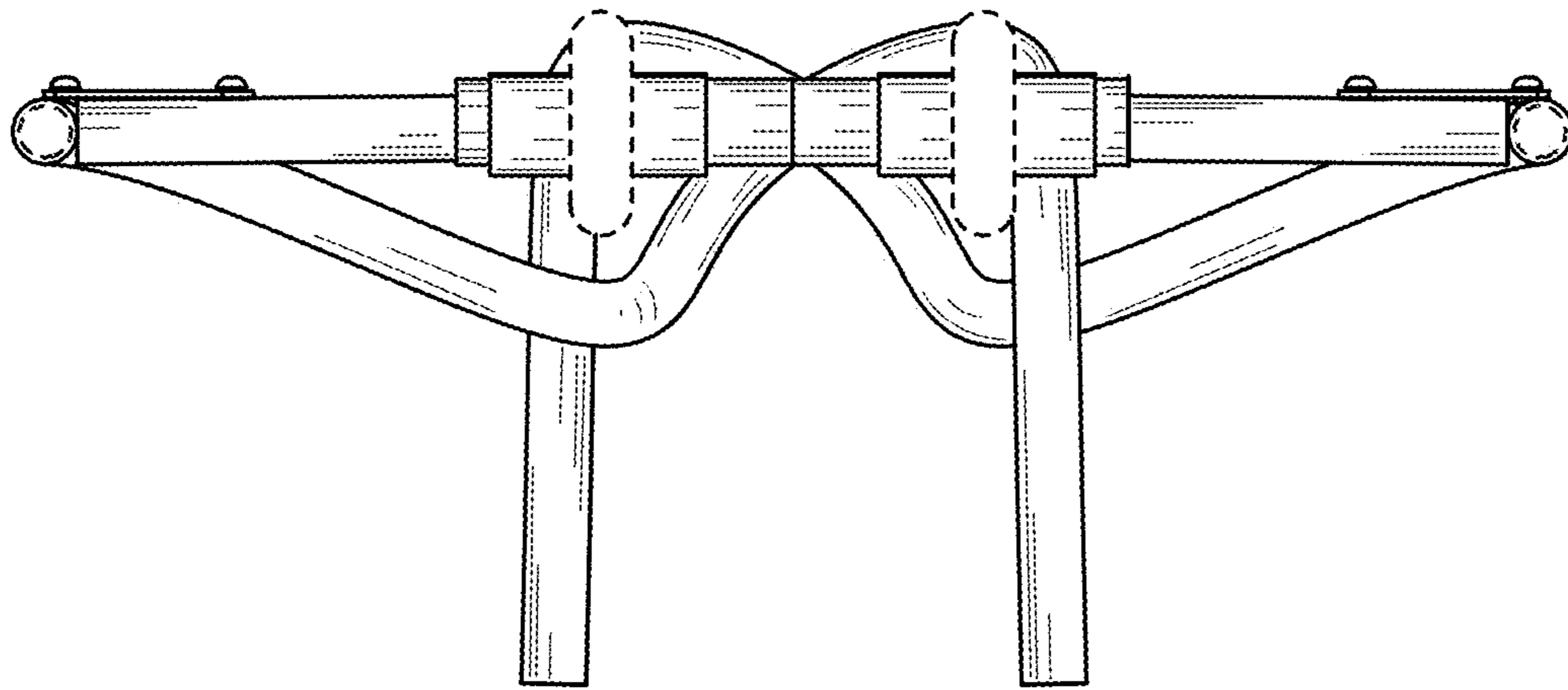


FIG. 9

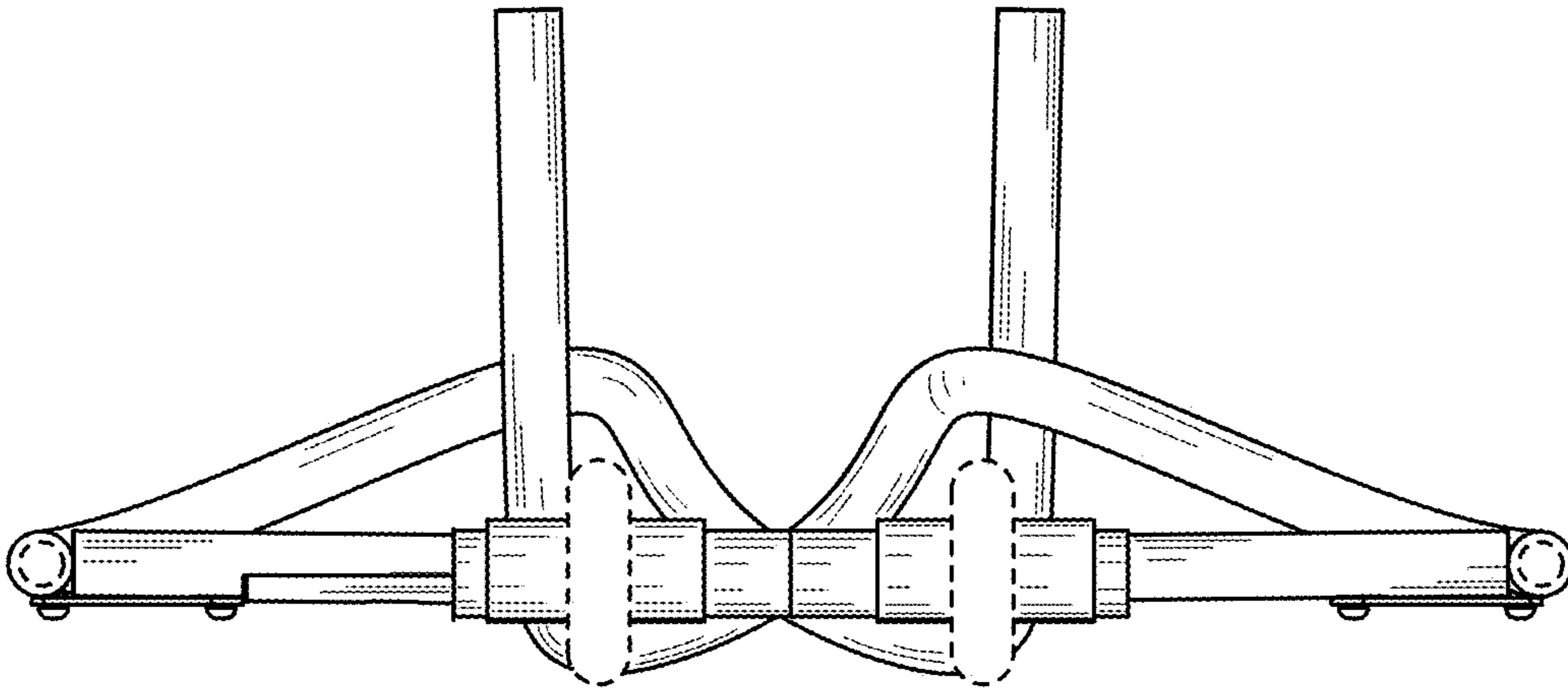


FIG. 10