



US00D905262S

(12) **United States Design Patent** (10) **Patent No.:** **US D905,262 S**
Khubani et al. (45) **Date of Patent:** **** Dec. 15, 2020**

- (54) **FACIAL MASSAGING DEVICE**
- (71) Applicant: **Church & Dwight Co., Inc.**, Ewing, NJ (US)
- (72) Inventors: **Anand Khubani**, Morristown, NJ (US); **Aaron Szymanski**, Thomaston, CT (US); **Eric Langberg**, Milford, PA (US); **Hayley Matarazzo**, Morristown, NJ (US); **Christina Black**, Verona, NJ (US)
- (73) Assignee: **Church & Dwight Co., Inc.**, Ewing, NJ (US)

4,813,404 A	3/1989	Vallis	
4,884,560 A	12/1989	Kuracina	
D306,524 S *	3/1990	Marshall	D4/122
5,152,281 A	10/1992	Koll	
5,267,399 A	12/1993	Johnston	
D349,576 S *	8/1994	Heiligenstein	D24/200
D349,771 S *	8/1994	Heiligenstein	D24/200
5,666,963 A	9/1997	Swenson et al.	

(Continued)

FOREIGN PATENT DOCUMENTS

CA	2101825	2/1995
CN	2236303	10/1996

(Continued)

(**) Term: **15 Years**

OTHER PUBLICATIONS

- (21) Appl. No.: **29/651,879**
- (22) Filed: **May 24, 2019**
- (51) **LOC (12) Cl.** **28-03**
- (52) **U.S. Cl.**
USPC **D24/211**
- (58) **Field of Classification Search**
USPC D24/200, 211, 212, 213, 214, 215;
D7/697; D4/122; D8/51
CPC A61H 15/00; A61H 2015/0028; A61H
2015/0035; A61H 2015/0064
See application file for complete search history.

Amazon, "Finishing Touch Facial Roller", Aug. 7, 2019. https://www.amazon.com/Finishing-Flawless-Contour-Vibrating-Massager/dp/B07T89L8C7/ref=cm_cr_ar_p_d_product_top?ie=UTF8. Shown on p. 1. (Year: 2019).*

Primary Examiner — Cynthia Ramirez
Assistant Examiner — Michael A Maharajh
(74) *Attorney, Agent, or Firm* — Womble Bond Dickinson (US) LLP

(57) **CLAIM**

The ornamental design for a facial massaging device, as shown and described.

(56) **References Cited**

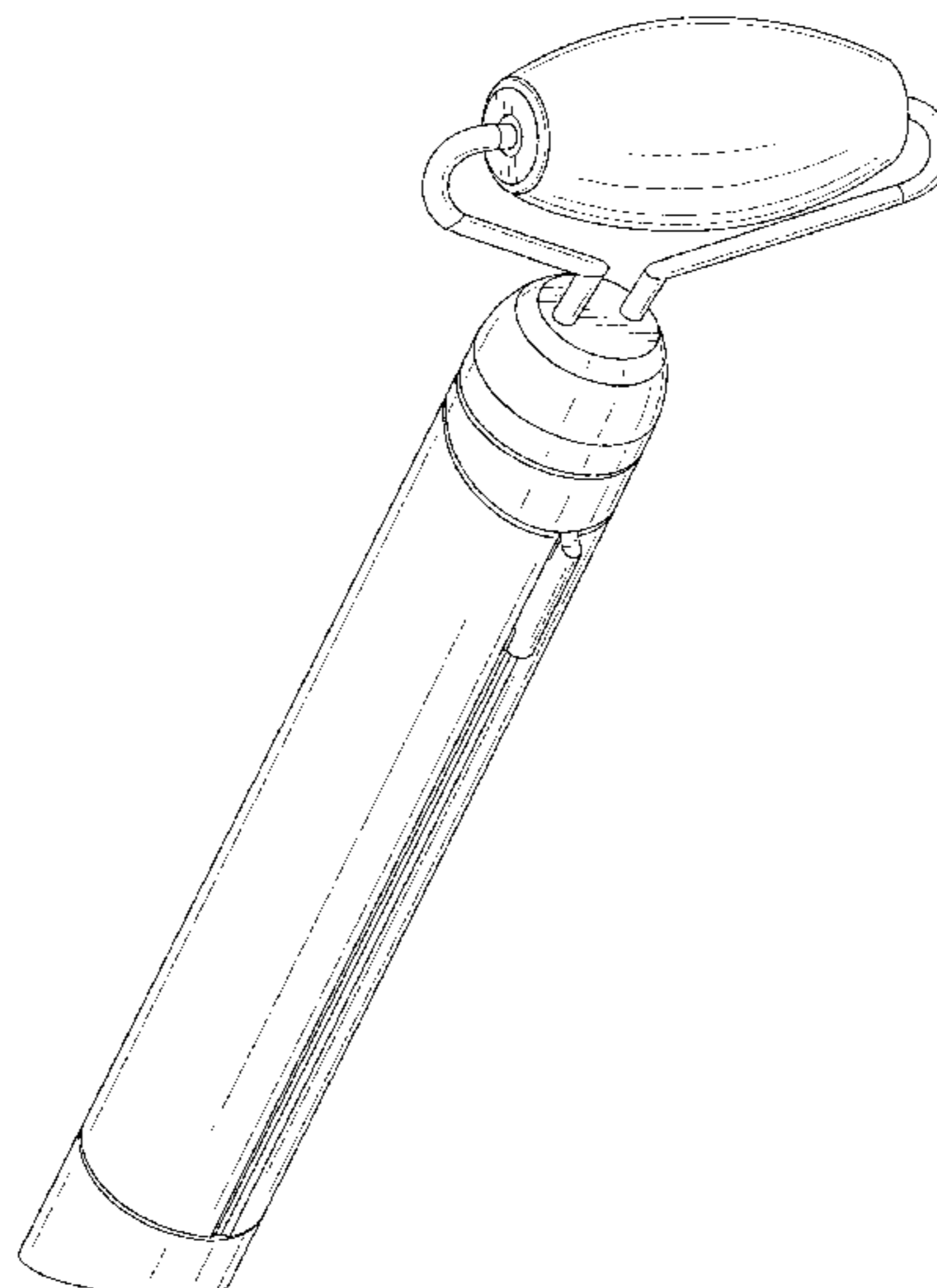
DESCRIPTION

U.S. PATENT DOCUMENTS

622,350 A	4/1899	Hans
793,004 A	6/1905	May
926,245 A	6/1909	Coon
1,270,635 A	6/1918	Ljungstrom
1,744,423 A	1/1930	Toadvine
1,923,317 A	8/1933	Lipsner
1,947,042 A	2/1934	Glennan
2,057,396 A	10/1936	Seidel
2,472,385 A	6/1949	Rollman
2,787,261 A	4/1957	McDonald et al.
3,602,217 A	8/1971	Fleton et al.

FIG. 1 is a front perspective view of a facial massaging device showing our new design;
FIG. 2 is a front side elevation view thereof;
FIG. 3 is back side elevation view thereof;
FIG. 4 is a side elevation view thereof;
FIG. 5 is another side elevation view thereof;
FIG. 6 is a top plan view thereof; and,
FIG. 7 is a bottom plan view thereof.

1 Claim, 5 Drawing Sheets



(56)

References Cited

U.S. PATENT DOCUMENTS

D415,569 S * 10/1999 Wyrwa D24/211
 6,176,841 B1 * 1/2001 Tso A61H 15/0092
 601/129
 D459,639 S * 7/2002 Hefti D7/683
 6,648,904 B2 11/2003 Altshuler et al.
 6,684,107 B1 1/2004 Binder
 7,090,649 B2 8/2006 Kang
 D549,834 S * 8/2007 Huang D24/211
 7,481,783 B1 1/2009 Kelley
 D638,222 S * 5/2011 Molinet D4/122
 D661,168 S * 6/2012 Furling D8/51
 D661,491 S * 6/2012 Bunnag D4/122
 D671,749 S * 12/2012 Brown D4/122
 D676,975 S * 2/2013 Bickford D24/211
 D677,391 S * 3/2013 Bickford D24/211
 D677,392 S * 3/2013 Bickford D24/211
 D678,540 S * 3/2013 Bickford D24/211
 D678,541 S * 3/2013 Bickford D24/211
 D678,542 S * 3/2013 Bickford D24/211
 D688,384 S * 8/2013 Ateya Soliman D24/215
 D708,755 S * 7/2014 Kim D24/215
 9,872,813 B2 1/2018 Giraud et al.
 9,895,285 B2 2/2018 Ingrassia
 10,046,160 B1 8/2018 Kern
 D829,919 S * 10/2018 Davis D24/211
 D841,176 S * 2/2019 Gaquiere D24/211
 10,206,848 B2 2/2019 Matsushita
 D843,593 S 3/2019 Nakamura et al.
 10,265,237 B2 4/2019 Devanaboyina
 D849,259 S * 5/2019 Gaquiere D24/211
 10,368,924 B2 8/2019 Bonutti et al.
 D863,580 S * 10/2019 Lee D24/211
 D863,581 S * 10/2019 Lee D24/211
 2005/0020948 A1 1/2005 Gueret
 2005/0187498 A1 8/2005 Miller
 2007/0027411 A1 2/2007 Ella et al.
 2011/0125067 A1 * 5/2011 Filho A61H 15/0092
 601/19
 2011/0145067 A1 6/2011 Skillen et al.
 2012/0109041 A1 5/2012 Munz
 2013/0048011 A1 * 2/2013 Bickford A45D 40/28
 132/320
 2013/0245509 A1 9/2013 Tanigawa et al.

2014/0336022 A1 * 11/2014 Jones A61H 15/00
 482/132
 2014/0378555 A1 12/2014 Hung et al.
 2015/0057579 A1 2/2015 Martinez
 2015/0231382 A1 8/2015 Altarac
 2015/0374578 A1 12/2015 Matsuura
 2017/0172837 A1 6/2017 Yang et al.
 2017/0348143 A1 12/2017 Rosen et al.
 2018/0008512 A1 1/2018 Goldstein
 2018/0028396 A1 2/2018 Brodsky
 2018/0168921 A1 6/2018 Ourian
 2018/0193219 A1 7/2018 Hashimoto et al.
 2018/0353371 A1 * 12/2018 Shikahama A61H 15/00
 2019/0070069 A1 3/2019 Gertner et al.
 2019/0262221 A1 * 8/2019 Bailar A61H 7/005

FOREIGN PATENT DOCUMENTS

CN 2239794 11/1996
 CN 2278466 4/1998
 CN 2413685 1/2001
 CN 1454584 11/2003
 CN 2676895 2/2005
 CN 101933880 1/2011
 CN 302245148 12/2012
 CN 102988161 3/2013
 CN 302485098 6/2013
 CN 203029595 7/2013
 CN 203073458 7/2013
 CN 302506436 7/2013
 CN 203122967 8/2013
 CN 203436539 2/2014
 CN 203436695 2/2014
 CN 303535307 12/2015
 CN 205698457 11/2016
 CN 303990652 12/2016
 DE 20 2004 016042 2/2005
 JP H07-106216 11/1995
 JP H10-33609 2/1998
 JP H11-192275 7/1999
 JP 2003038596 2/2003
 JP 5186441 4/2013
 KR 20 2000 0020252 11/2000
 WO WO 2012117923 9/2012
 WO WO 2014118577 8/2014

* cited by examiner

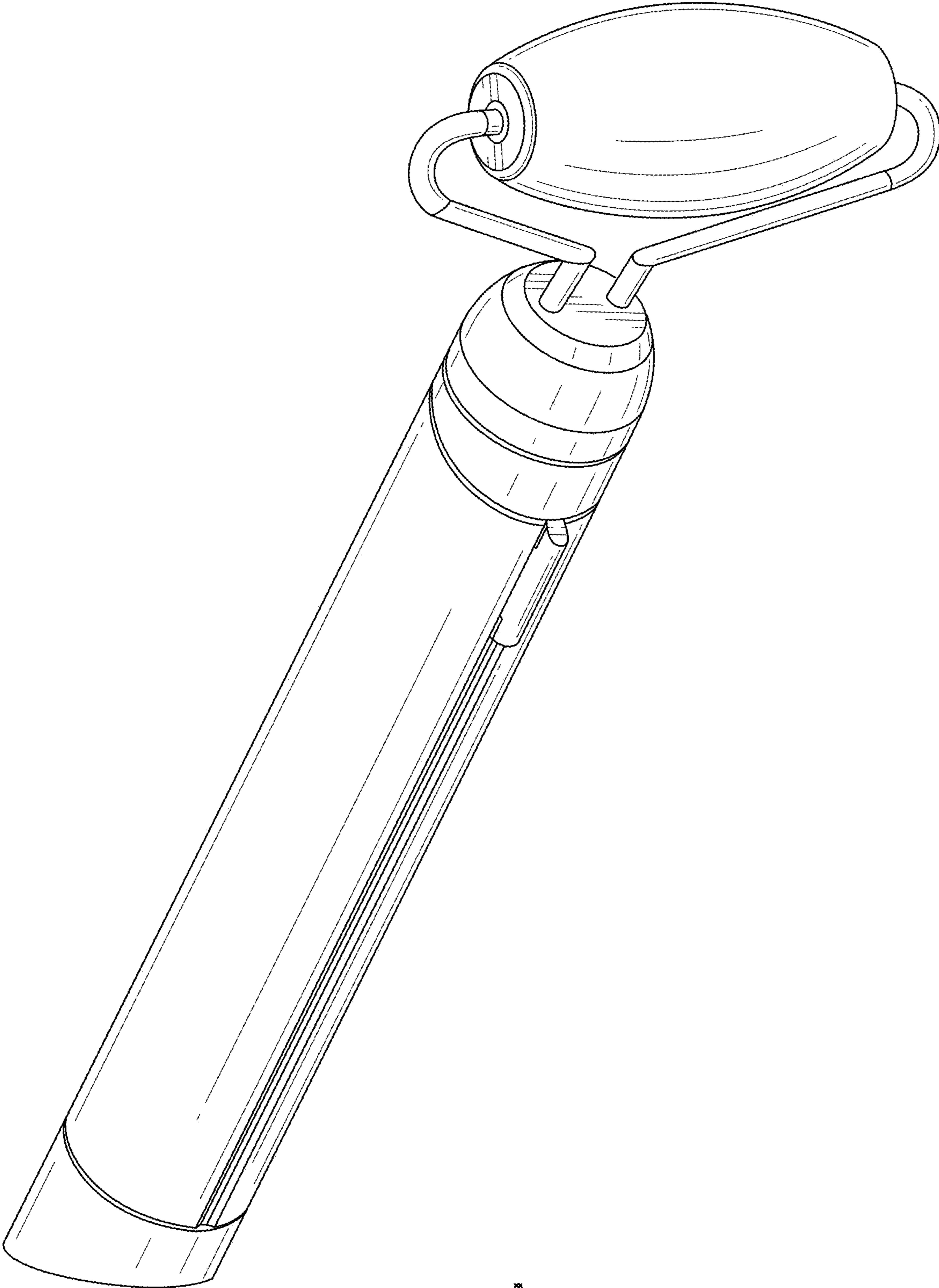


FIG. 1

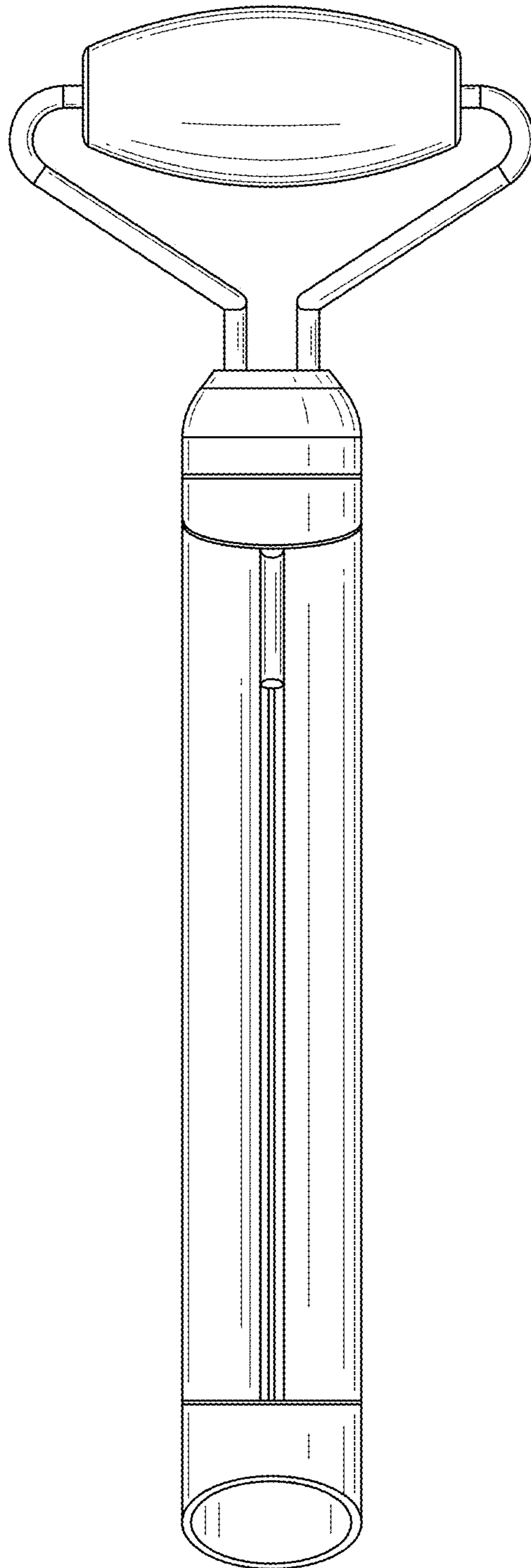


FIG. 2

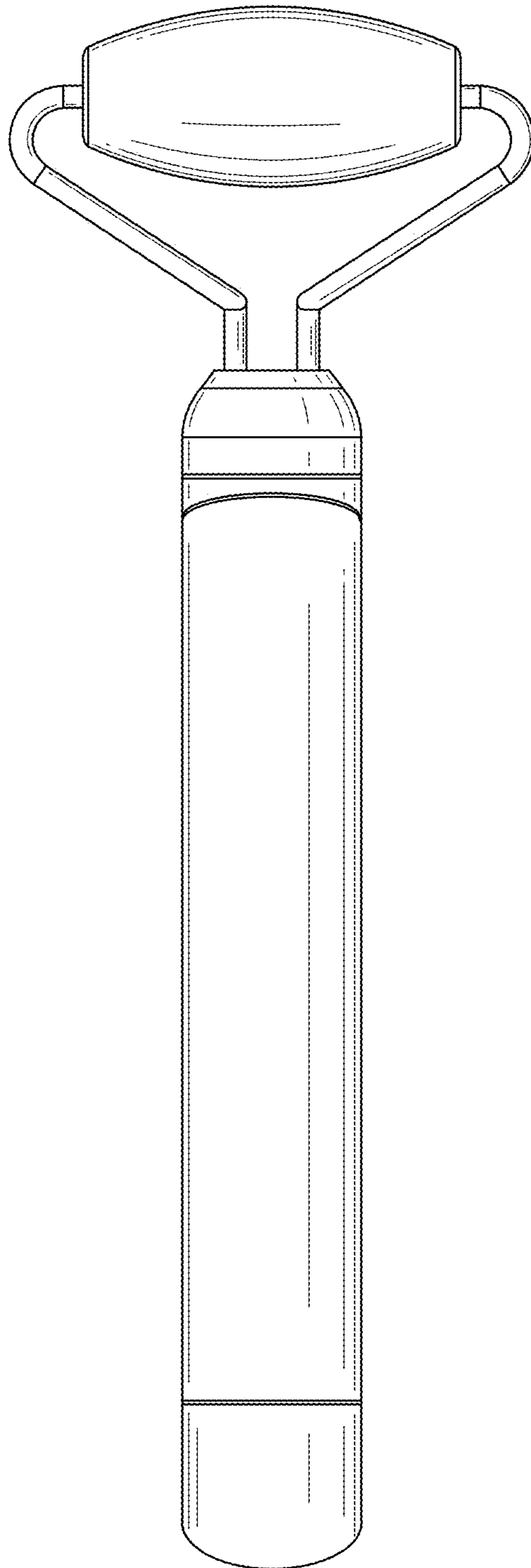


FIG. 3

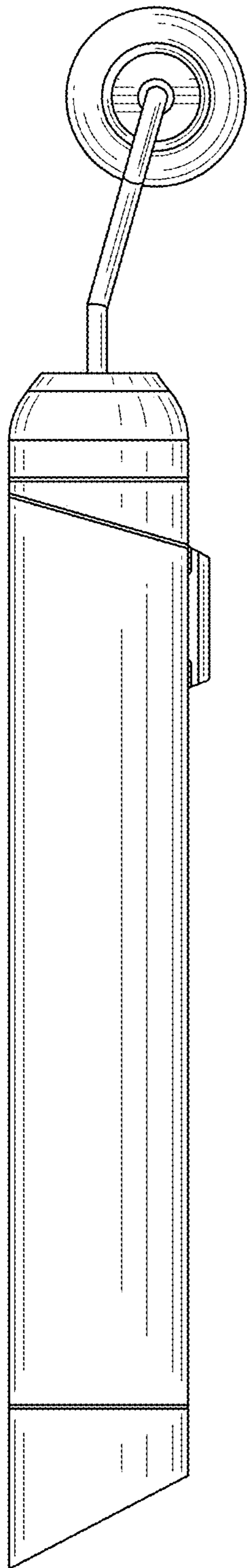


FIG. 4

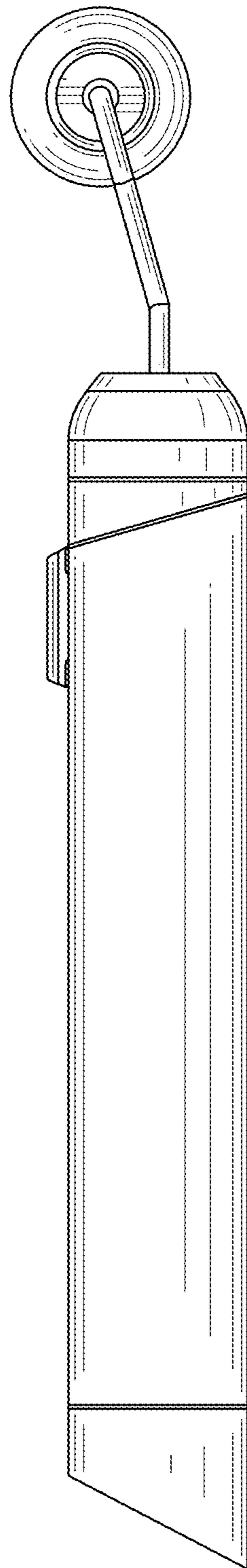


FIG. 5

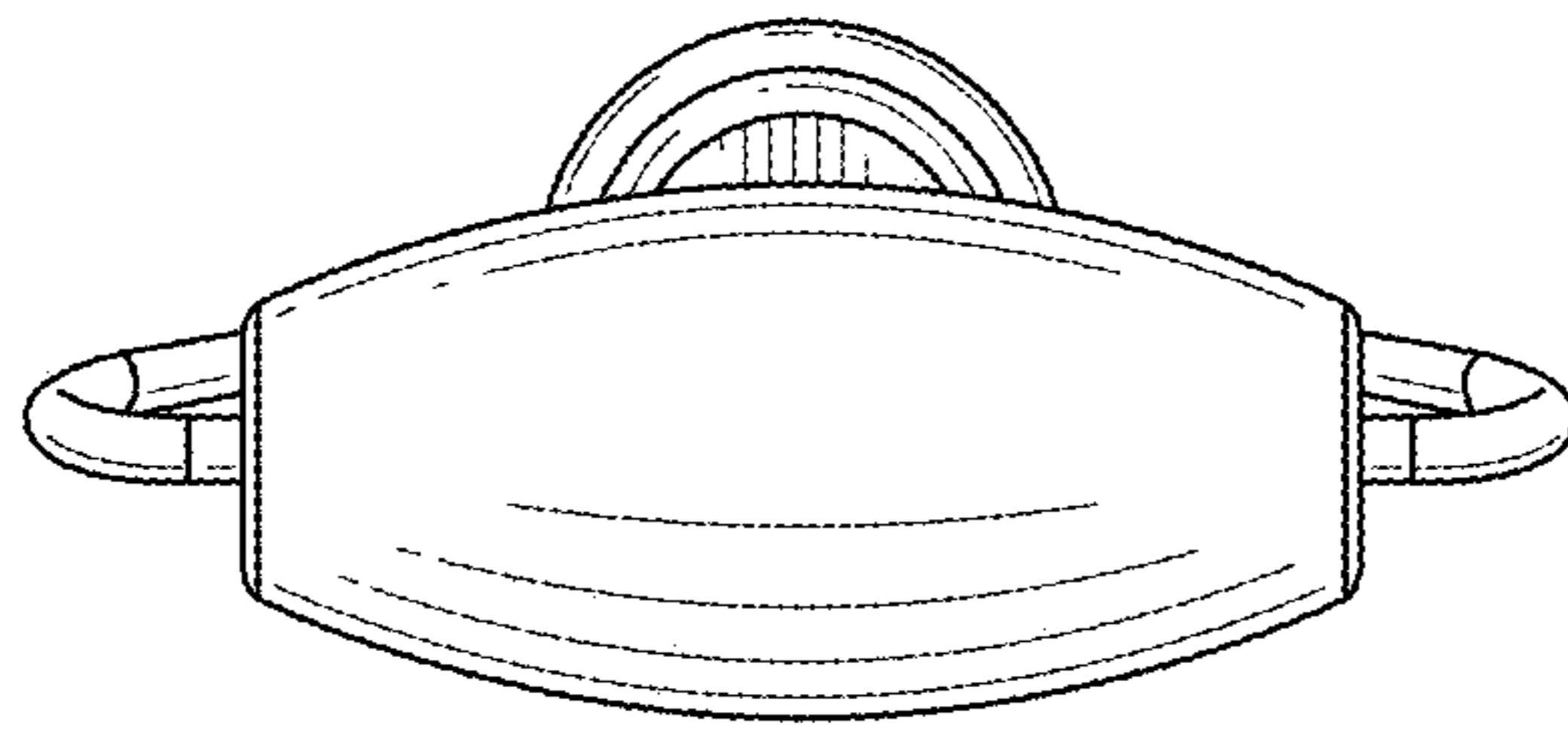


FIG. 6

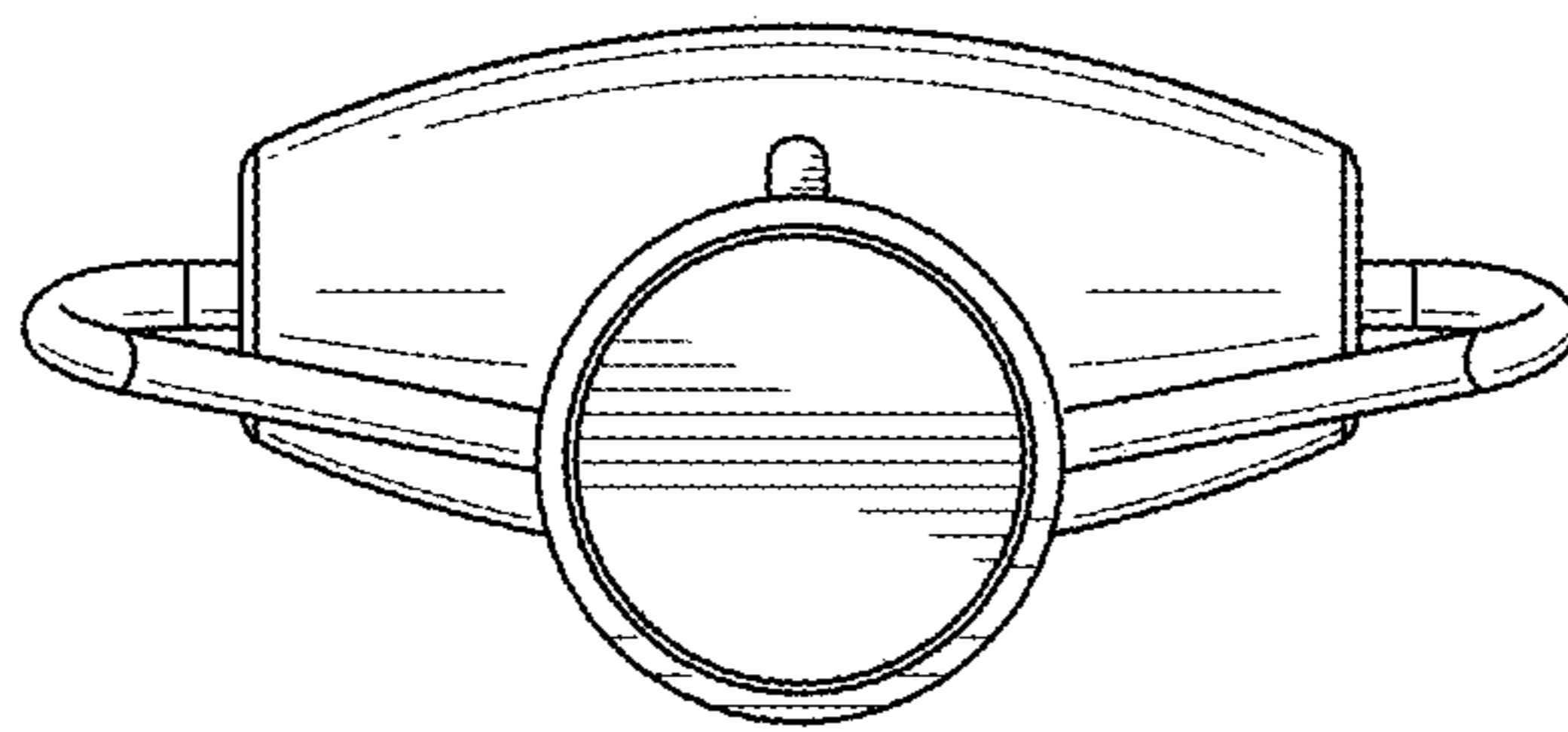


FIG. 7