



US00D905261S

(12) **United States Design Patent** (10) **Patent No.:** **US D905,261 S**  
**Shenfarber** (45) **Date of Patent:** **\*\* Dec. 15, 2020**

(54) **HEAD FOR A HANDHELD BEAUTY CARE DEVICE**

- (71) Applicant: **OMM Imports, Inc.**, Doral, FL (US)
- (72) Inventor: **Moti Shenfarber**, Miami, FL (US)
- (73) Assignee: **OMM Imports, Inc.**, Doral, FL (US)
- (\*\*) Term: **15 Years**
- (21) Appl. No.: **29/719,859**
- (22) Filed: **Jan. 8, 2020**

**Related U.S. Application Data**

- (63) Continuation of application No. 16/013,068, filed on Jun. 20, 2018, now Pat. No. 10,625,093.
- (51) **LOC (12) Cl.** ..... **28-03**
- (52) **U.S. Cl.**  
USPC ..... **D24/209**
- (58) **Field of Classification Search**  
USPC ..... D24/107, 186, 200, 209, 210, 231, 133,  
D24/214, 215; D28/44, 44.1; D26/37-39  
CPC .... A61N 5/062; A61N 5/0614; A61N 5/0616;  
A61N 5/0617; A61N 5/0618; A61N  
5/0624; A61N 5/0627; A61N 5/0625;  
A61N 2005/0643; A61N 2005/0644;  
A61N 2005/0645; A61N 2005/0647;  
A61N 2005/0651; A61N 2005/0652;  
A61N 2005/0654; A61N 2005/0662;  
A61B 2018/00452; A61B 2018/1807

See application file for complete search history.

(56) **References Cited**

U.S. PATENT DOCUMENTS

D323,034	S	*	1/1992	Reinstein	.....	D24/214
D576,284	S	*	9/2008	Kennedy	.....	D24/209
D660,972	S	*	5/2012	Diamond	.....	D24/200
D661,811	S	*	6/2012	Ferguson	.....	D24/200
D834,701	S	*	11/2018	Inoue	.....	D24/107
10,625,093	B2	*	4/2020	Shenfarber	.....	A61F 7/00
2003/0151925	A1	*	8/2003	Crunk	.....	B60Q 1/32
						362/545
2017/0128130	A1	*	5/2017	Giraud	.....	A61N 5/0616
2019/0351251	A1	*	11/2019	Shenfarber	.....	A61N 5/062
2019/0388707	A1	*	12/2019	Shenfarber	.....	A61N 5/0616

\* cited by examiner

*Primary Examiner* — Anhdao Doan

(74) *Attorney, Agent, or Firm* — The Concept Law Group, PA; Scott D. Smiley; Scott M. Garrett

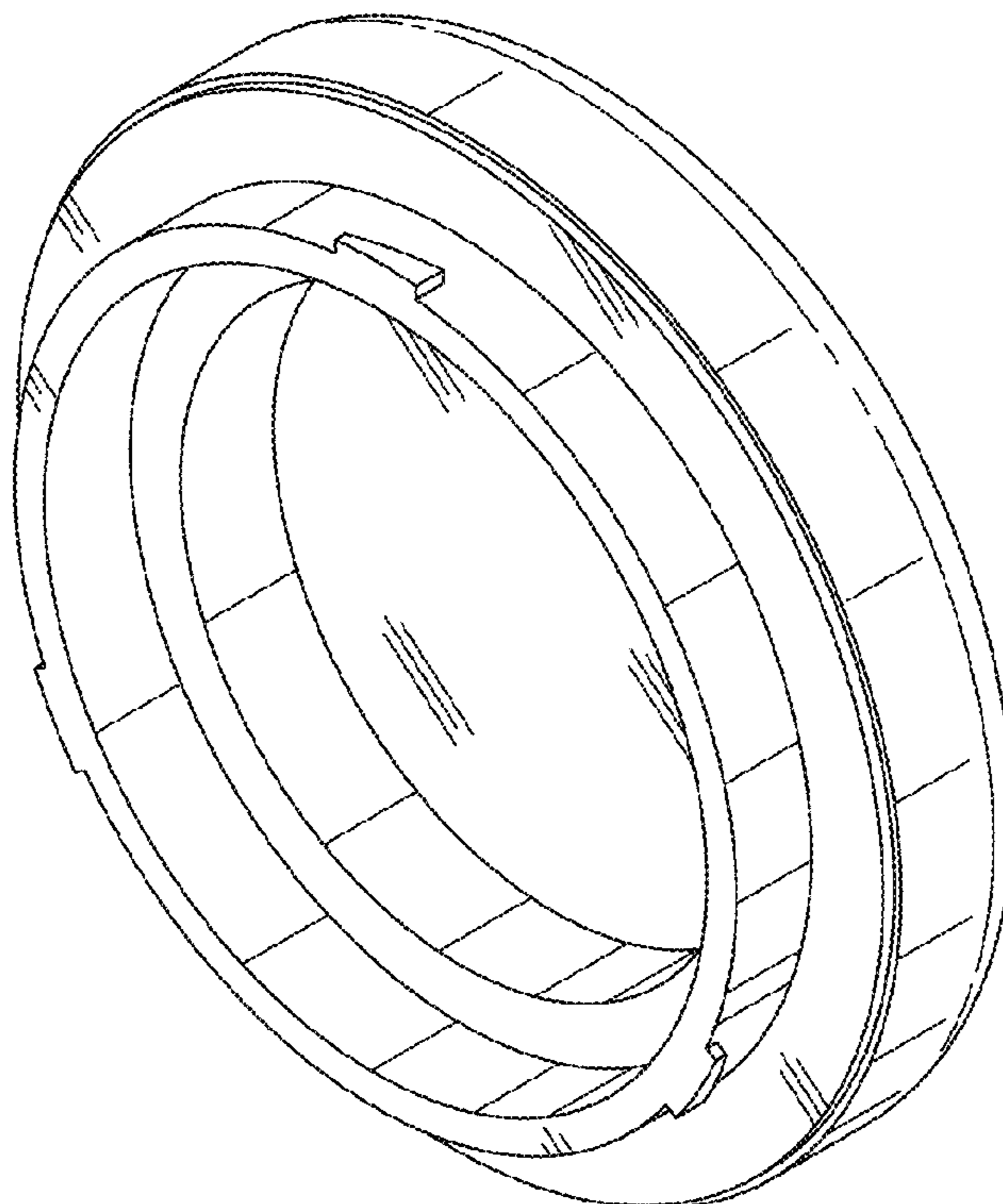
(57) **CLAIM**

The ornamental design for a head for a handheld beauty care device, as shown and described.

**DESCRIPTION**

FIG. 1 is a top plan view of a head for a handheld beauty care device;  
 FIG. 2 is a first-side elevational view thereof;  
 FIG. 3 is a second-side elevational view thereof;  
 FIG. 4 is a bottom plan view thereof;  
 FIG. 5 is a third-side elevational view thereof;  
 FIG. 6 is a fourth-side elevational view thereof; and,  
 FIG. 7 is a perspective view thereof from the front right top.

**1 Claim, 5 Drawing Sheets**



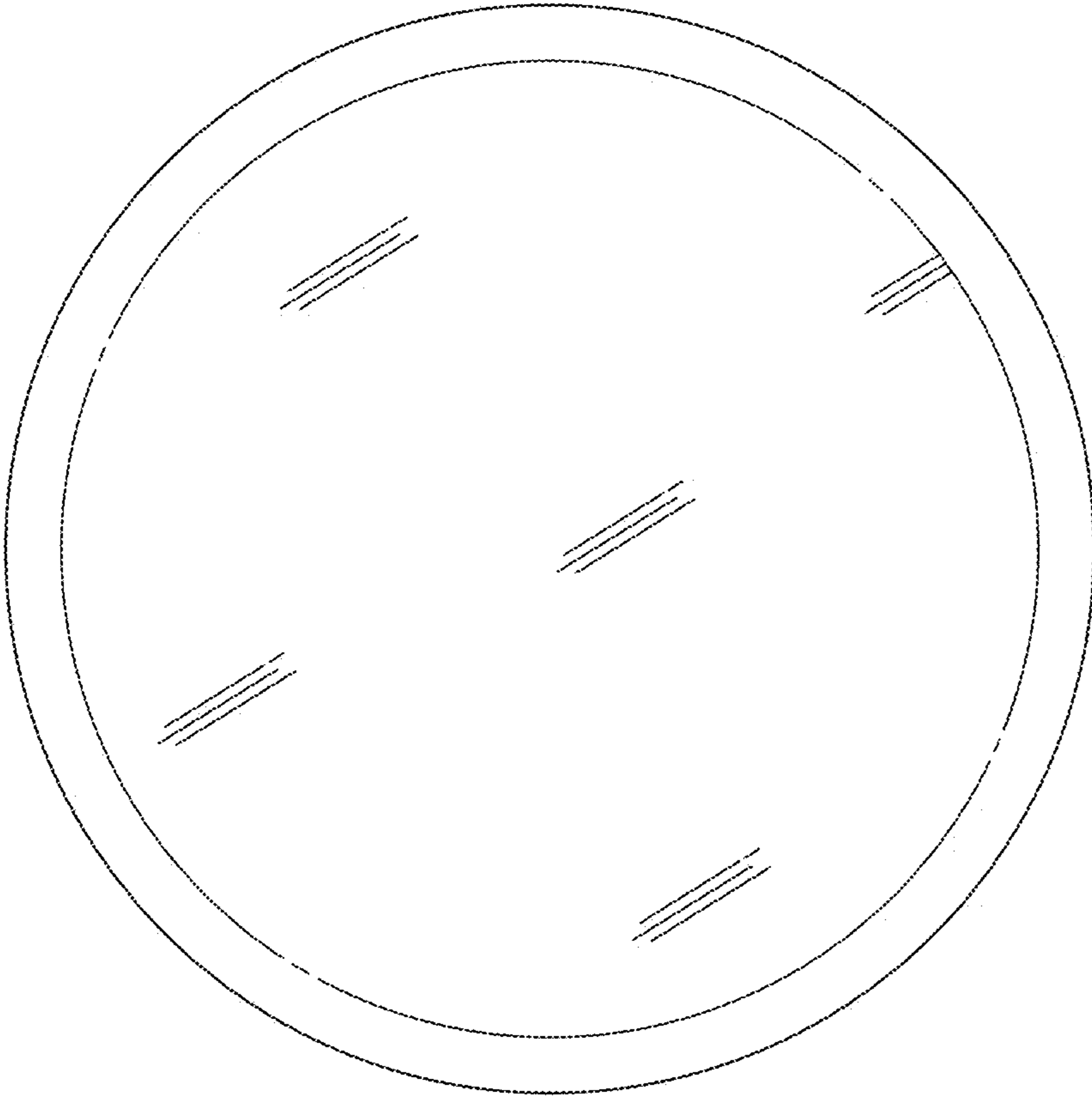


FIG.1

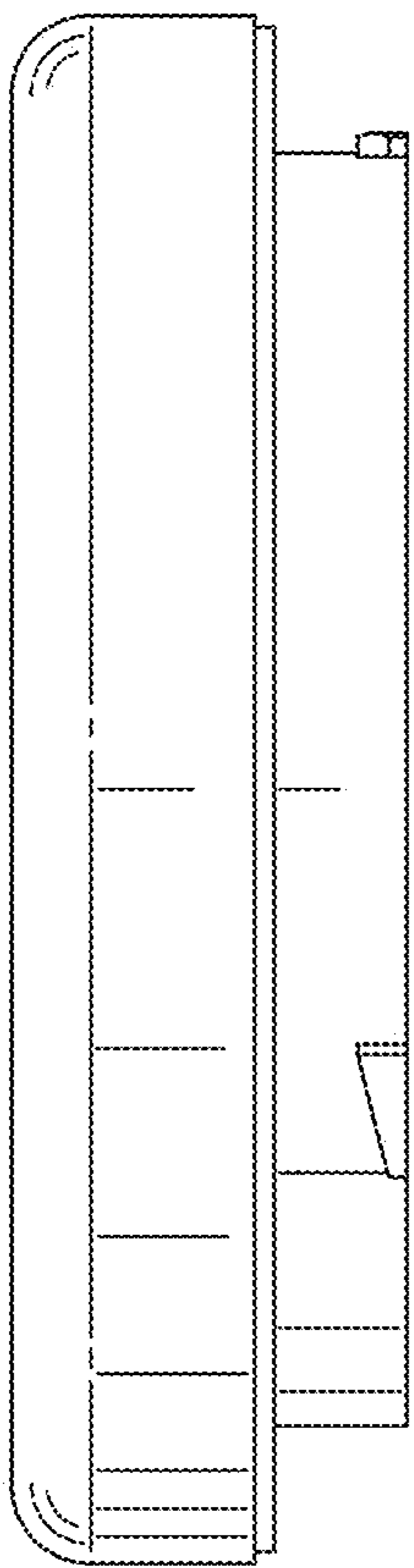


FIG. 2

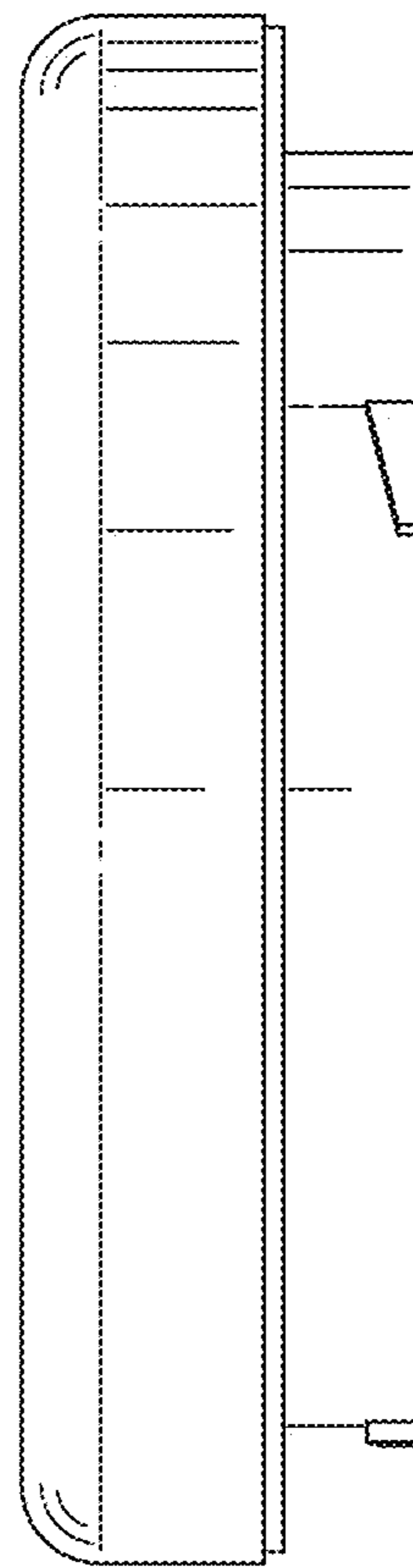


FIG. 3

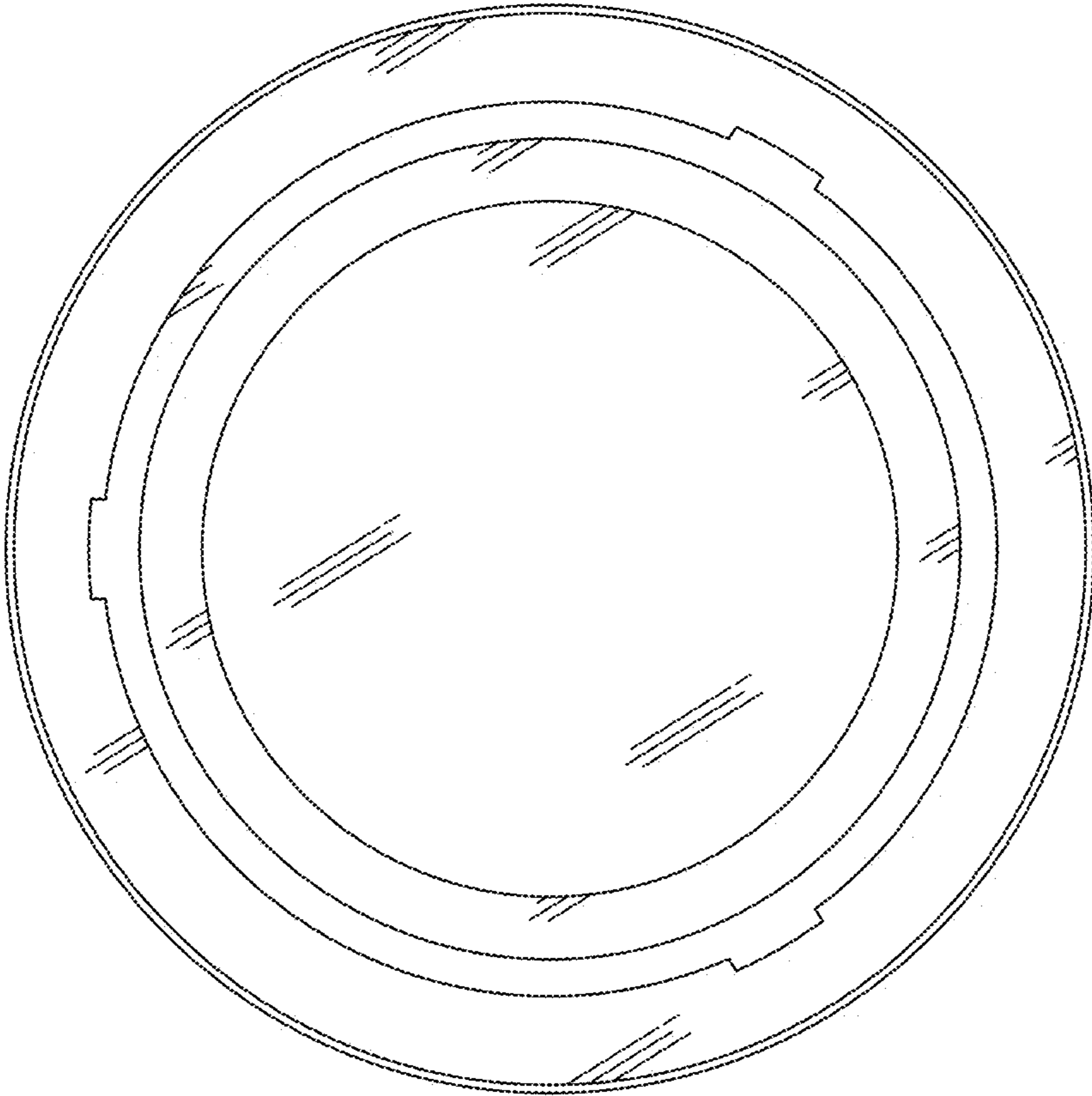


FIG.4

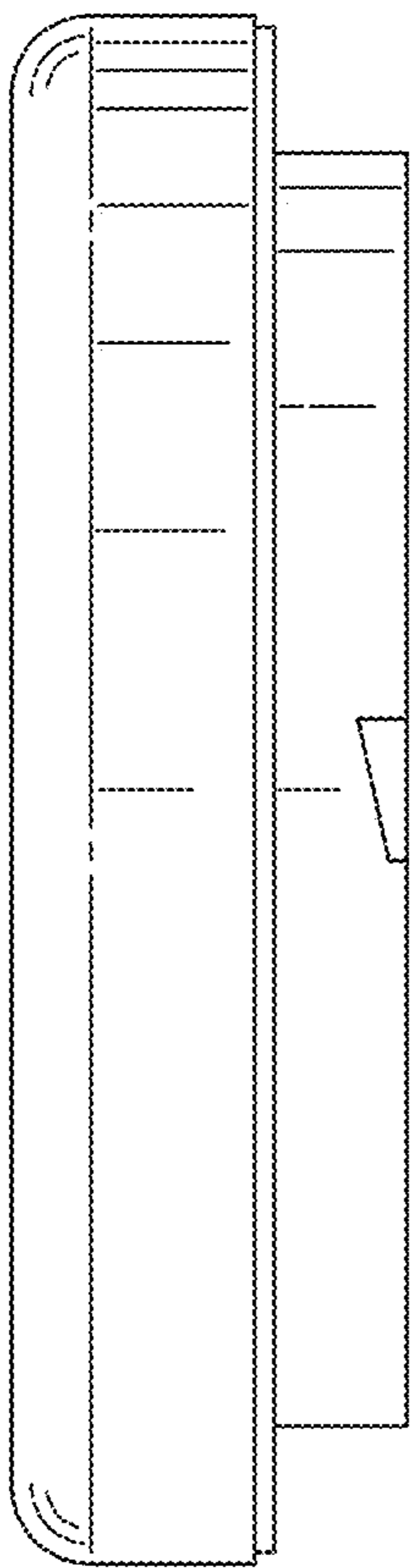


FIG. 5

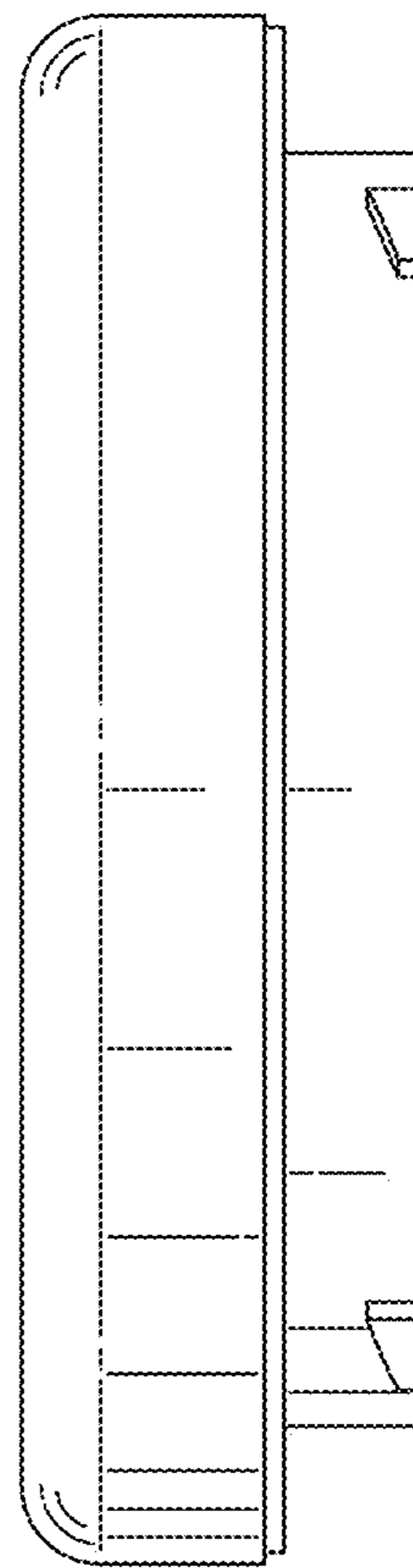


FIG. 6

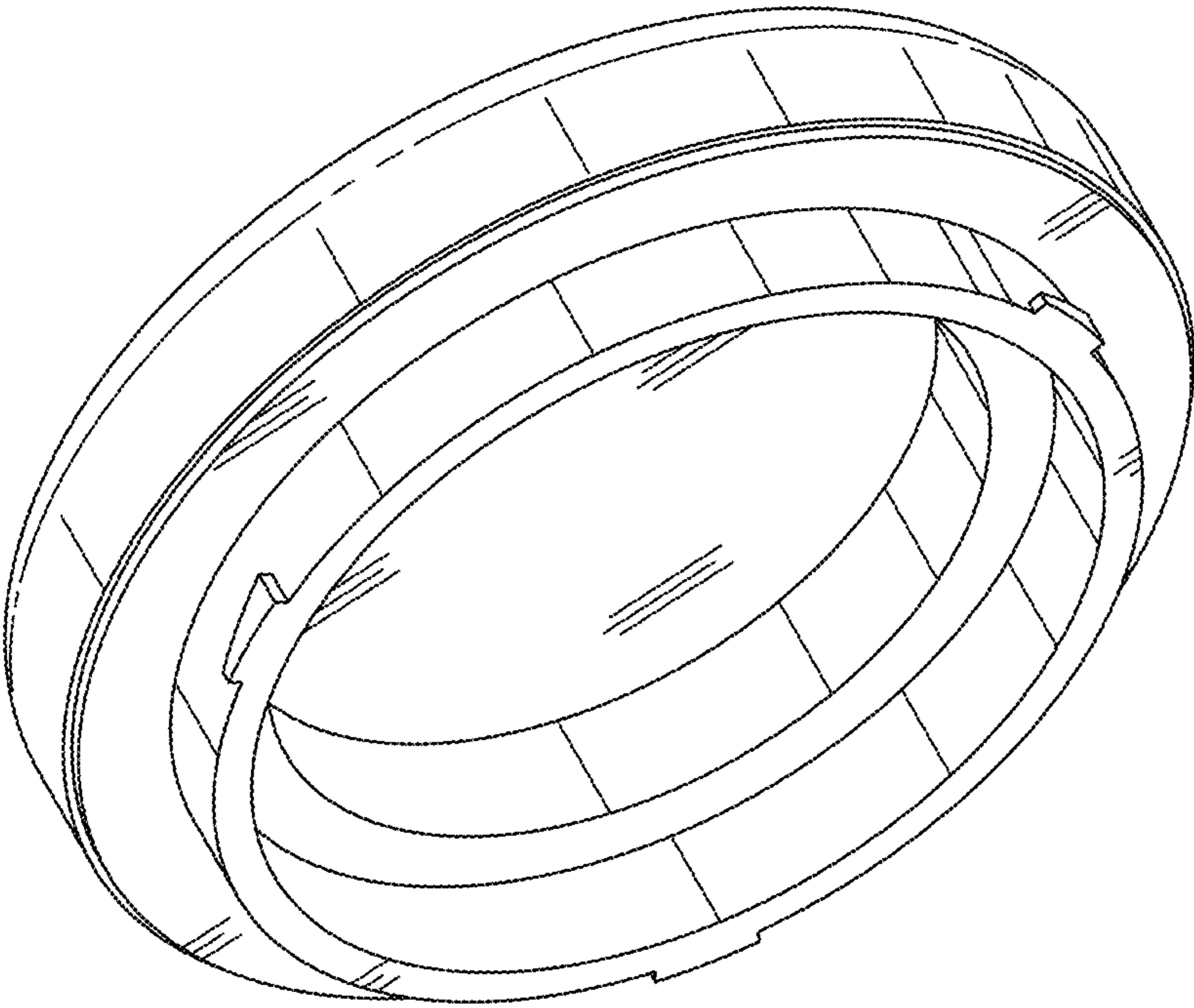


FIG.7