

US00D905260S

(12) **United States Design Patent** (10) **Patent No.:** **US D905,260 S**  
**Shenfarber** (45) **Date of Patent:** **\*\* Dec. 15, 2020**

(54) **HANDHELD BEAUTY CARE DEVICE**  
(71) Applicant: **OMM Imports, Inc.**, Doral, FL (US)  
(72) Inventor: **Moti Shenfarber**, Miami, FL (US)  
(73) Assignee: **OMM Imports, Inc.**, Doral, FL (US)  
(\*\*) Term: **15 Years**

(21) Appl. No.: **29/704,701**  
(22) Filed: **Sep. 6, 2019**  
(51) **LOC (12) Cl.** ..... **28-03**  
(52) **U.S. Cl.**  
USPC ..... **D24/209**  
(58) **Field of Classification Search**  
USPC ..... D24/107, 186, 200, 209, 210, 231, 133,  
D24/214, 215; D28/44, 44.1; D26/37-39  
CPC .... A61N 5/062; A61N 5/0614; A61N 5/0616;  
A61N 5/0617; A61N 5/0618; A61N  
5/0624; A61N 5/0627; A61N 5/0625;  
A61N 2005/0643; A61N 2005/0644;  
A61N 2005/0645; A61N 2005/0647;  
A61N 2005/0651; A61N 2005/0652;  
A61N 2005/0654; A61N 2005/0662;  
A61B 2018/00452; A61B 2018/1807  
See application file for complete search history.

(56) **References Cited**

**U.S. PATENT DOCUMENTS**

D323,034 S *	1/1992	Reinstein	.....	D24/214
D576,284 S *	9/2008	Kennedy	.....	D24/209
D660,972 S *	5/2012	Diamond	.....	D24/200
D661,811 S *	6/2012	Ferguson	.....	D24/200
D756,528 S *	5/2016	Grant	.....	D24/214
D834,701 S *	11/2018	Inoue	.....	D24/107
D863,574 S *	10/2019	Yan	.....	D24/200

(Continued)

*Primary Examiner* — Anhdao Doan

(74) *Attorney, Agent, or Firm* — The Concept Law Group, PA; Scott D. Smiley; Scott M. Garrett

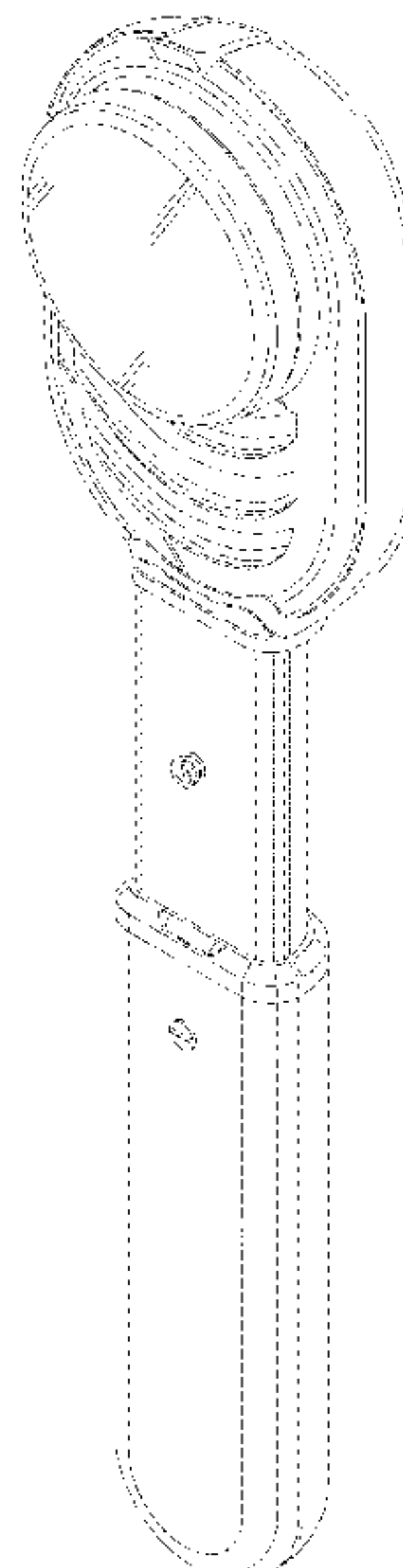
(57) **CLAIM**

The ornamental design for a handheld beauty care device, as shown and described.

**DESCRIPTION**

FIG. 1 is a front elevational view of a handheld beauty care device;  
FIG. 2 is a left-side elevational view thereof;  
FIG. 3 is a right-side elevational view thereof;  
FIG. 4 is a rear elevational view thereof;  
FIG. 5 is a bottom view thereof;  
FIG. 6 is a top view thereof;  
FIG. 7 is a perspective view thereof from the front right top;  
FIG. 8 is a perspective view thereof from the back left top;  
FIG. 9 is a front elevational view of the handheld beauty care device of FIG. 1 with the handle retracted;  
FIG. 10 is a left-side elevational view thereof;  
FIG. 11 is a right-side elevational view thereof;  
FIG. 12 is a rear elevational view thereof;  
FIG. 13 is a bottom view thereof;  
FIG. 14 is a top view thereof;  
FIG. 15 is a perspective view thereof from the front right top;  
FIG. 16 is a perspective view thereof from the back left top;  
FIG. 17 is a front elevational view of the handheld beauty care device of FIG. 1 with the handle removed;  
FIG. 18 is a left-side elevational view thereof;  
FIG. 19 is a right-side elevational view thereof;  
FIG. 20 is a rear elevational view thereof;  
FIG. 21 is a bottom view thereof;  
FIG. 22 is a top view thereof;  
FIG. 23 is a perspective view thereof from the front right top; and,  
FIG. 24 is a perspective view thereof from the back left top.

**1 Claim, 18 Drawing Sheets**



(56)

**References Cited**

U.S. PATENT DOCUMENTS

10,625,093 B2 \* 4/2020 Shenfarber ..... A61F 7/00  
2003/0151925 A1 \* 8/2003 Crunk ..... F21S 45/10  
362/545  
2017/0128130 A1 \* 5/2017 Giraud ..... A61N 5/0616  
2019/0351251 A1 \* 11/2019 Shenfarber ..... A61N 5/062  
2019/0388707 A1 \* 12/2019 Shenfarber ..... A61N 5/0616

\* cited by examiner

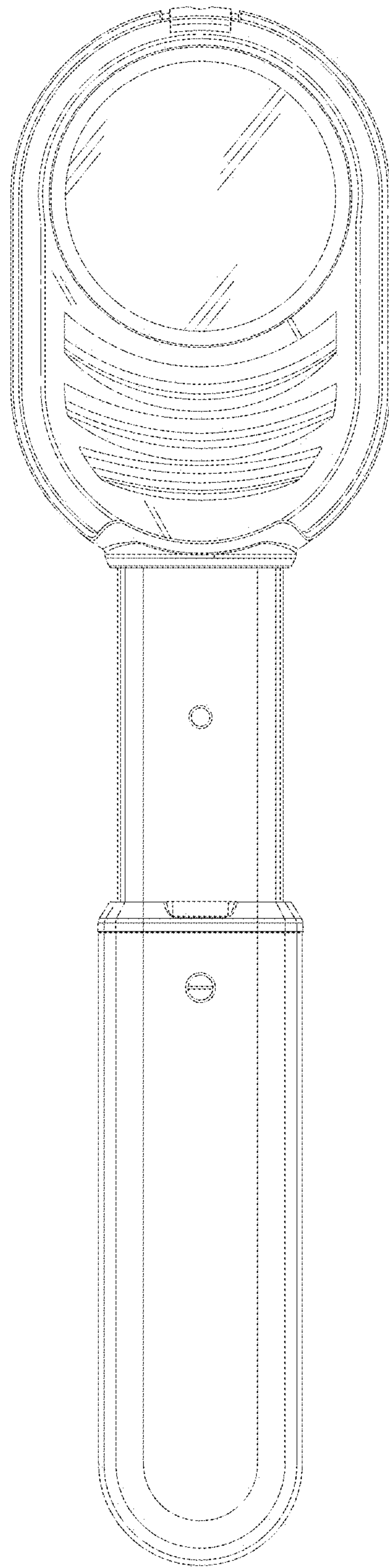


FIG.1

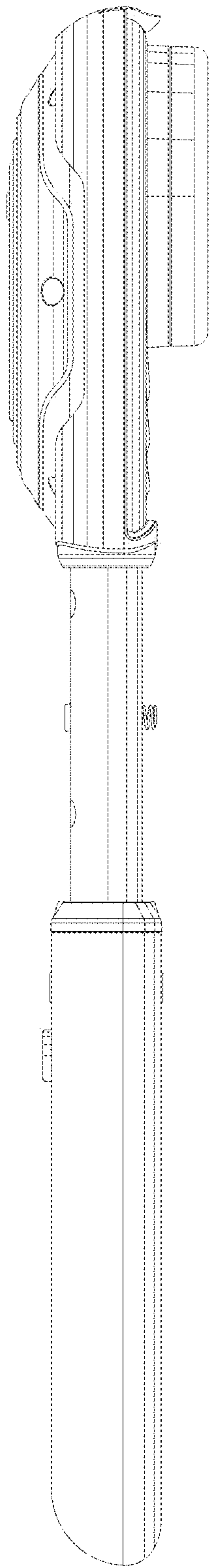


FIG. 2

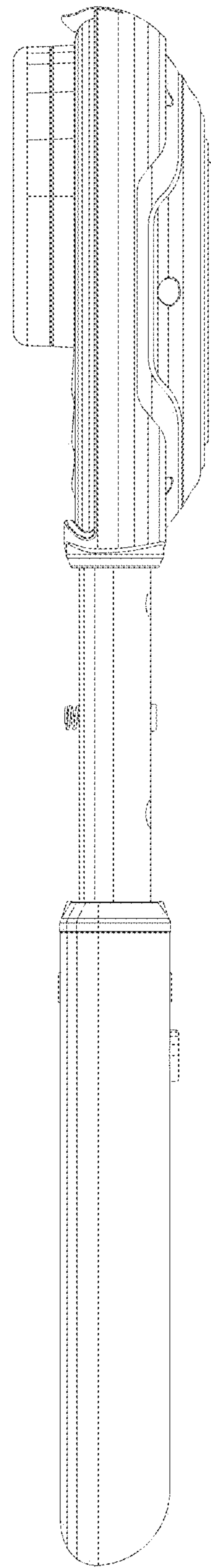


FIG. 3

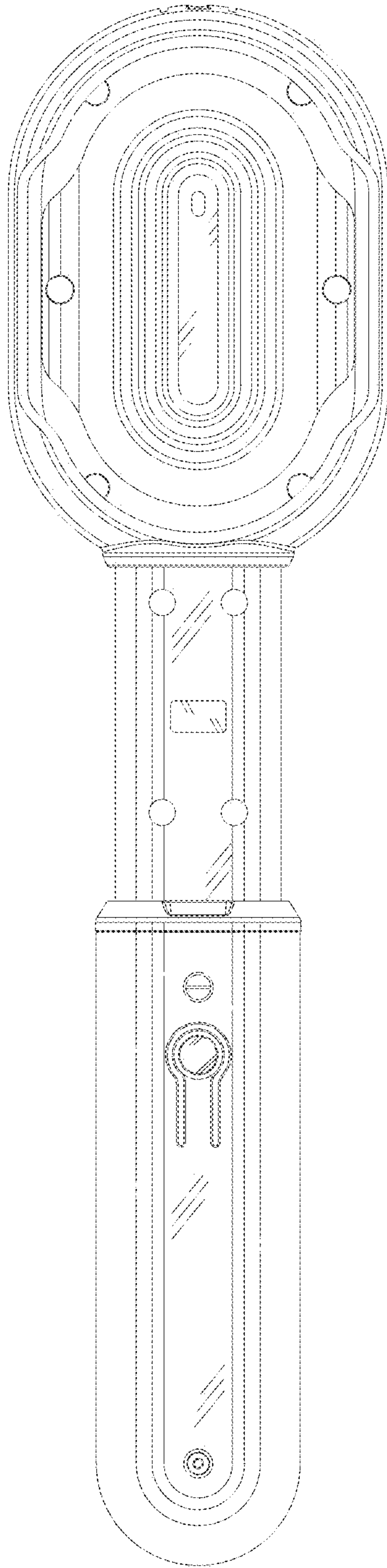


FIG.4

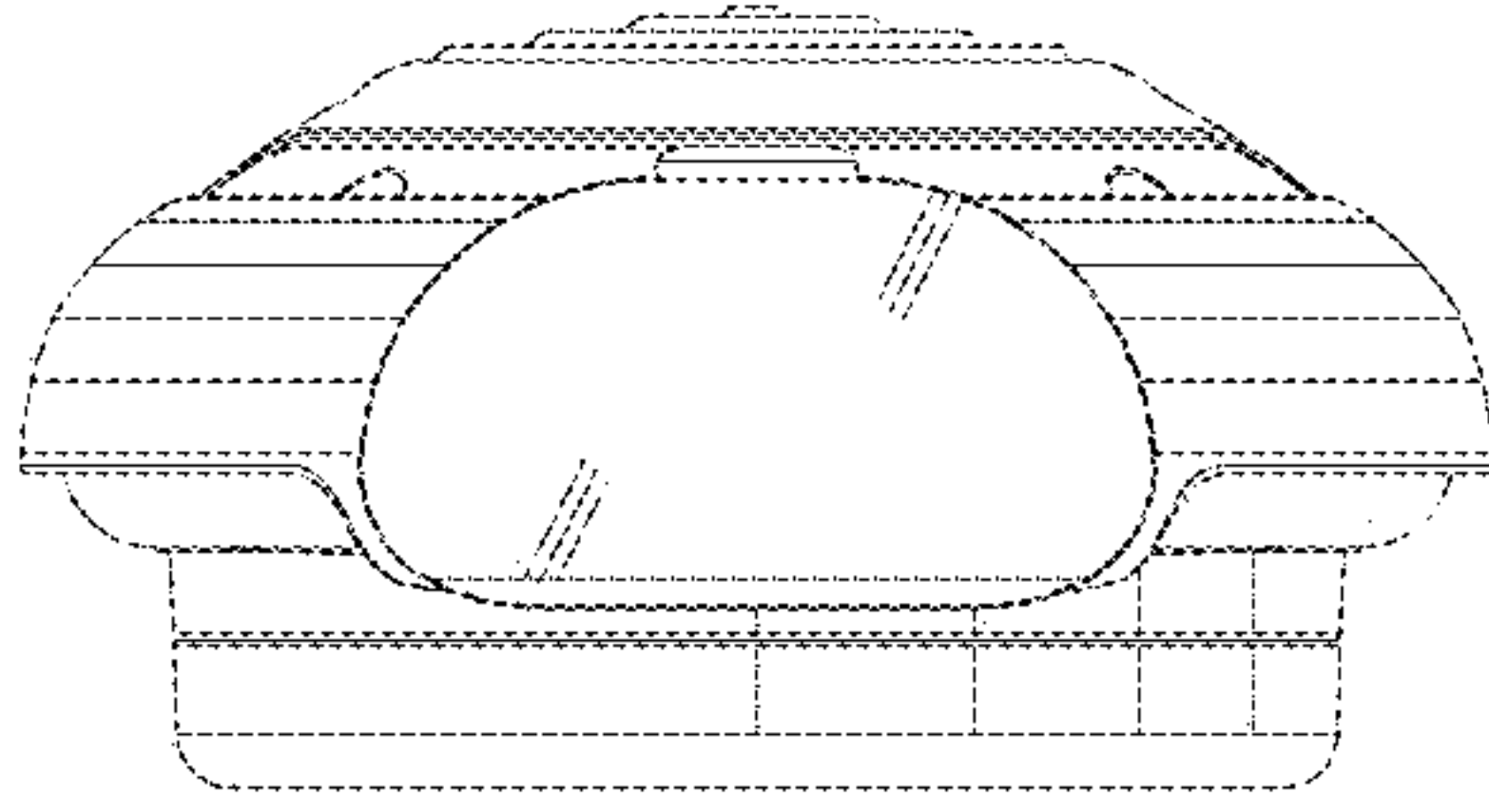


FIG.5

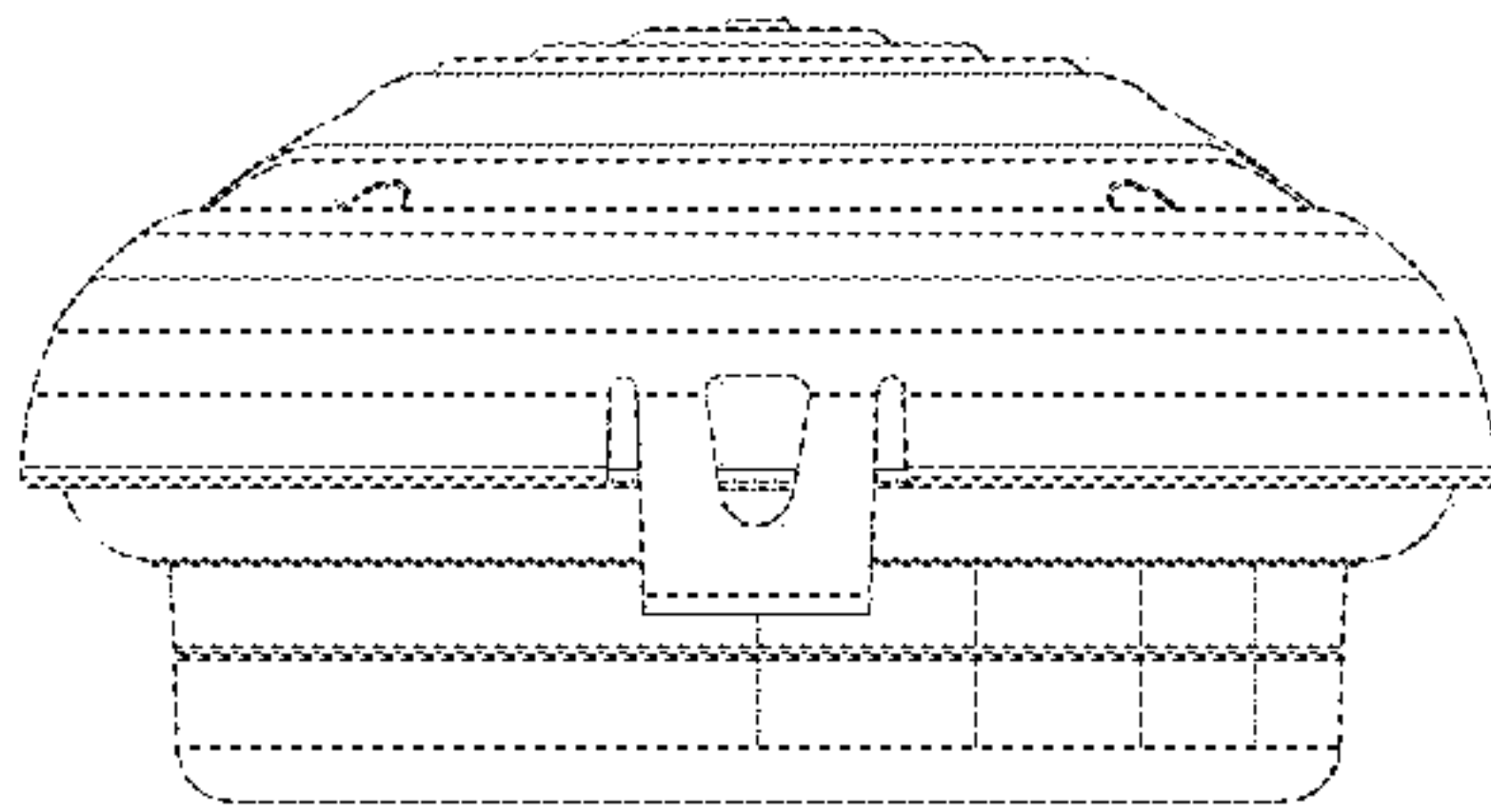


FIG.6



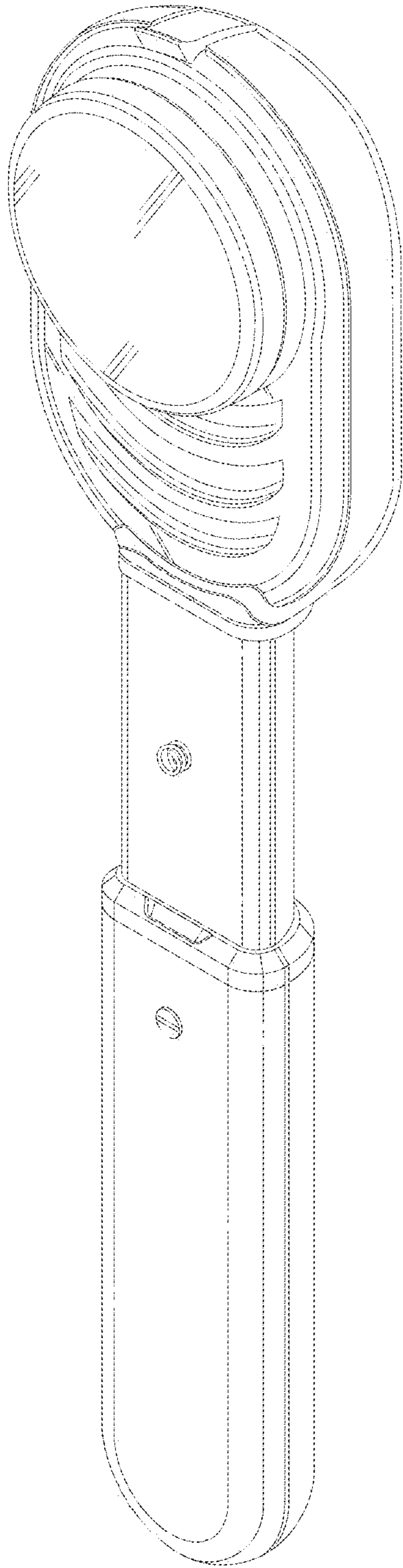


FIG.7

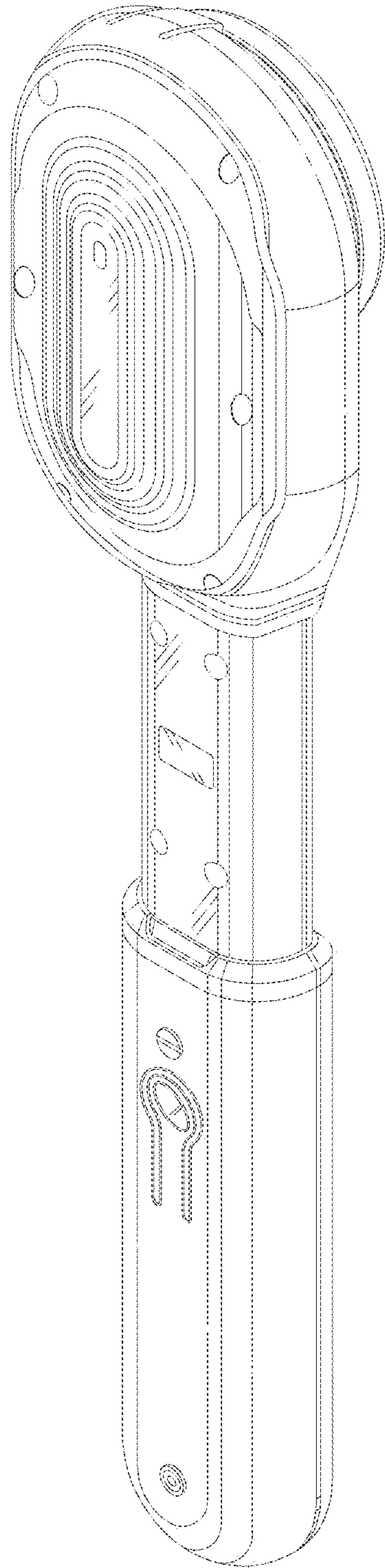


FIG.8



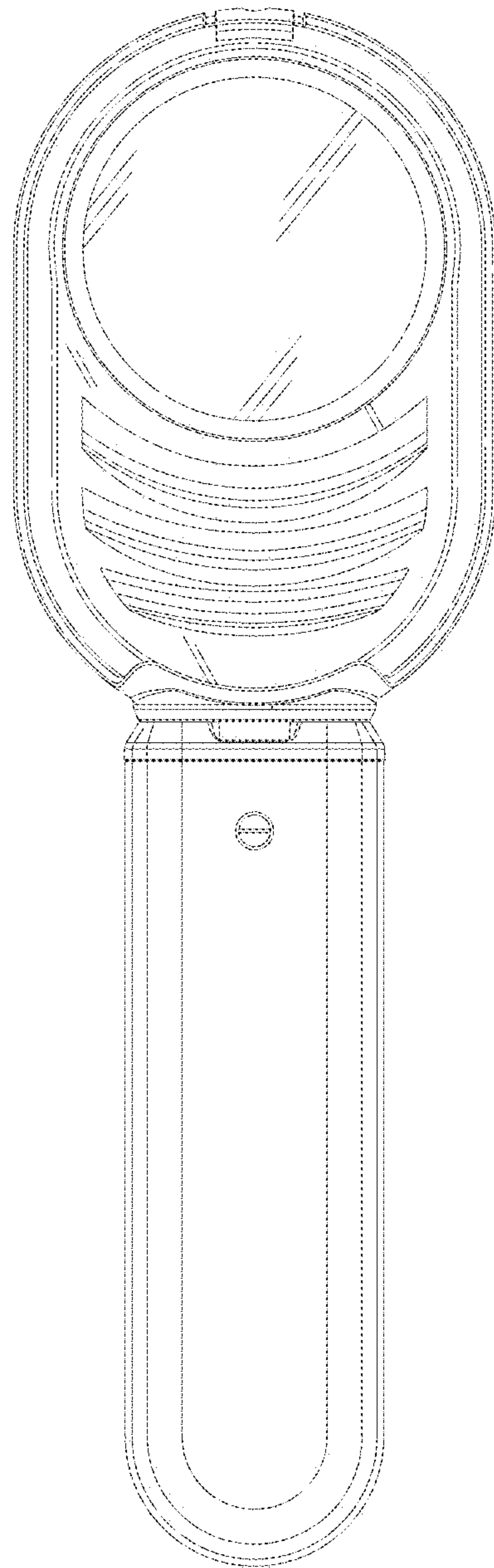


FIG.9

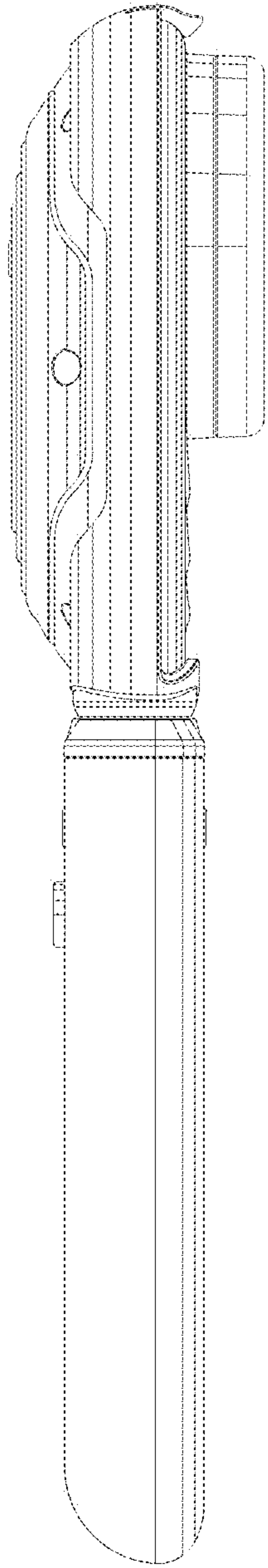


FIG.10

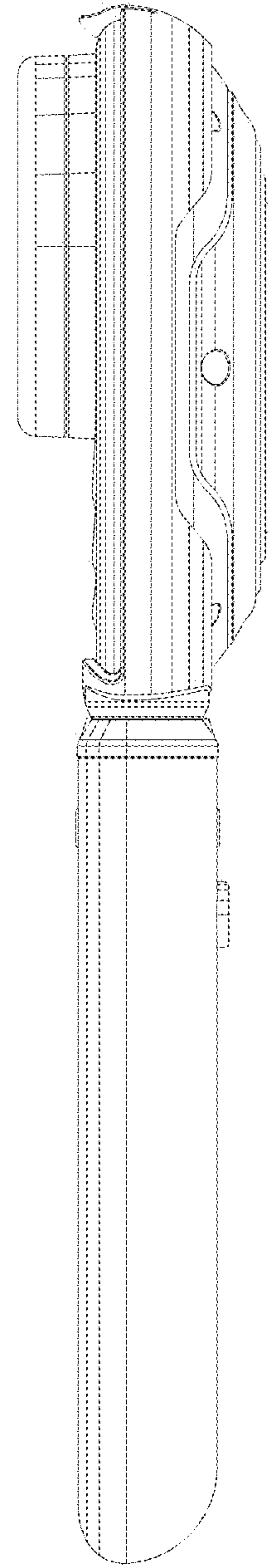


FIG.11

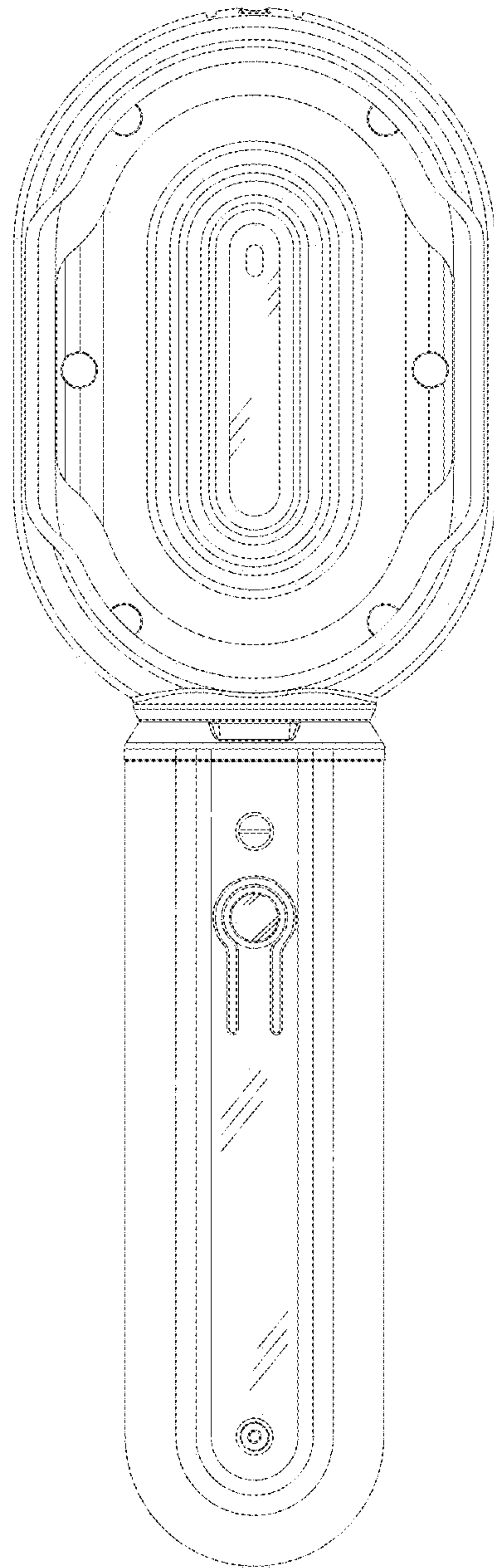


FIG.12

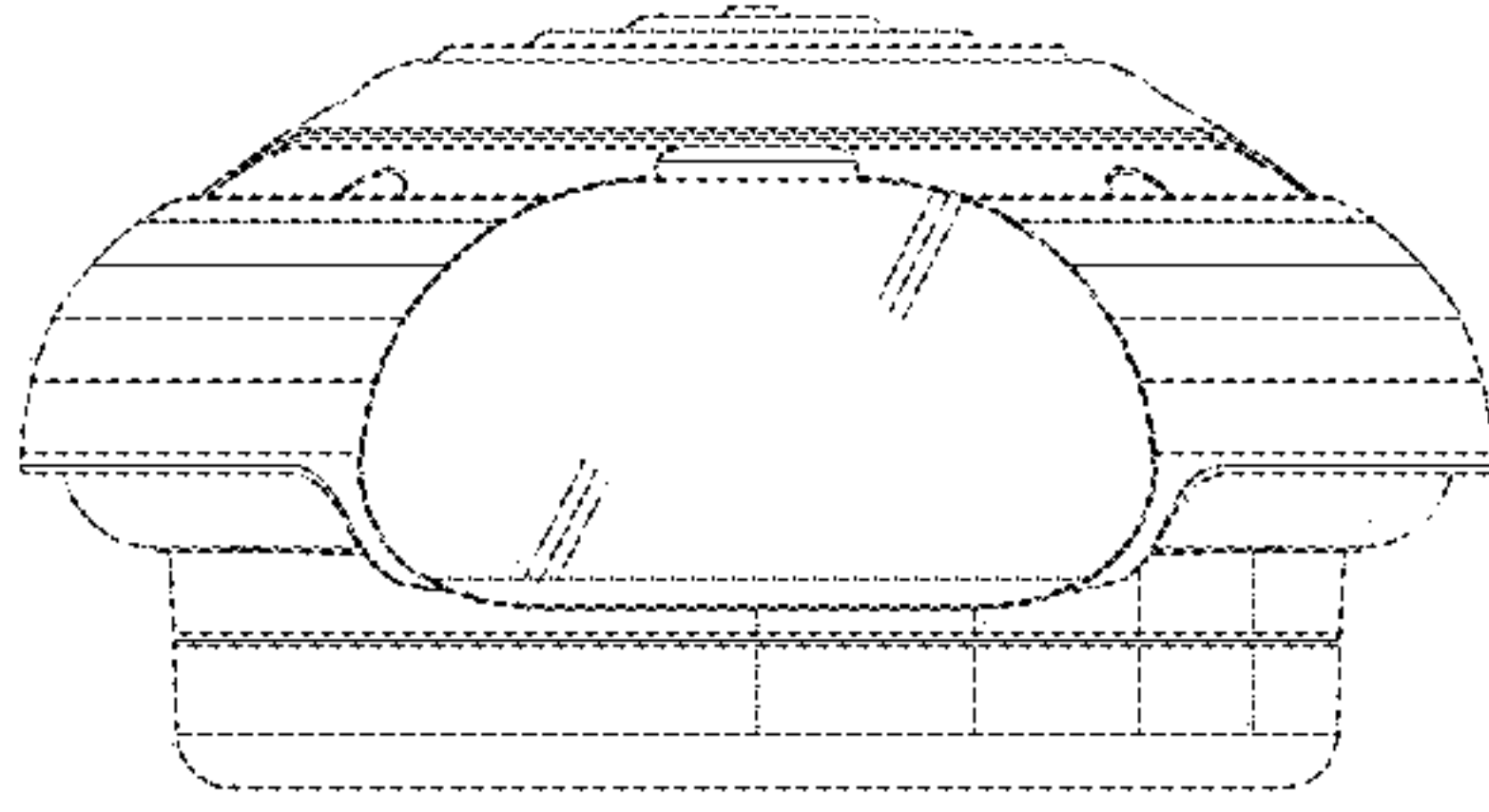


FIG.13

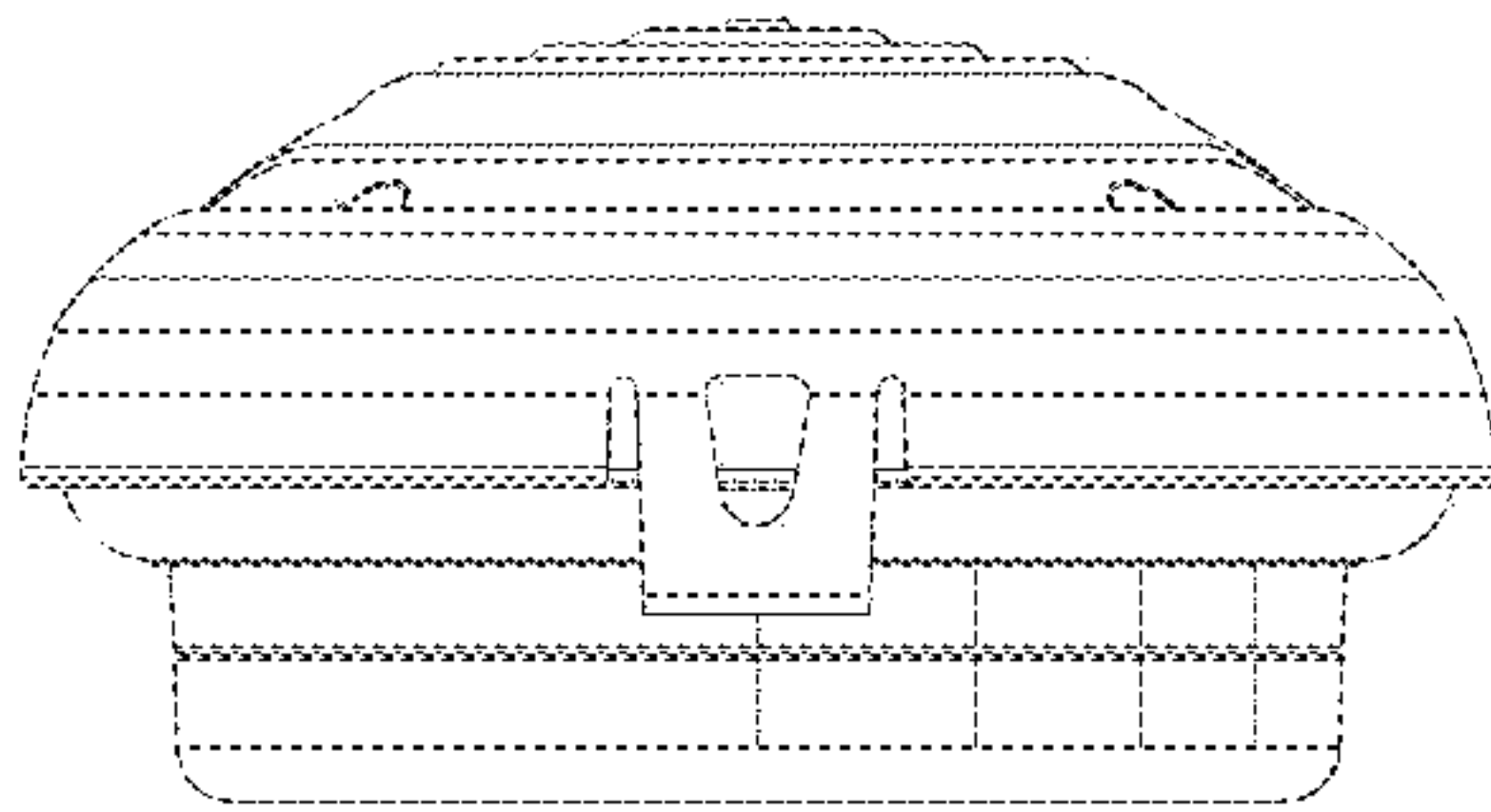


FIG.14

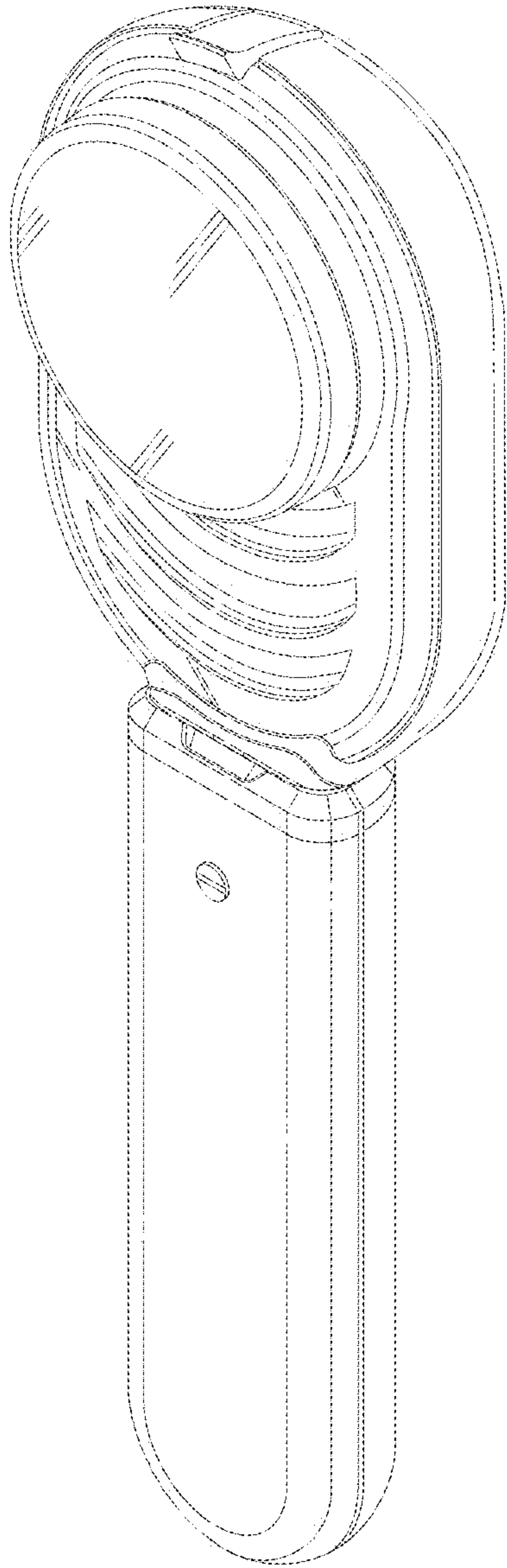


FIG.15

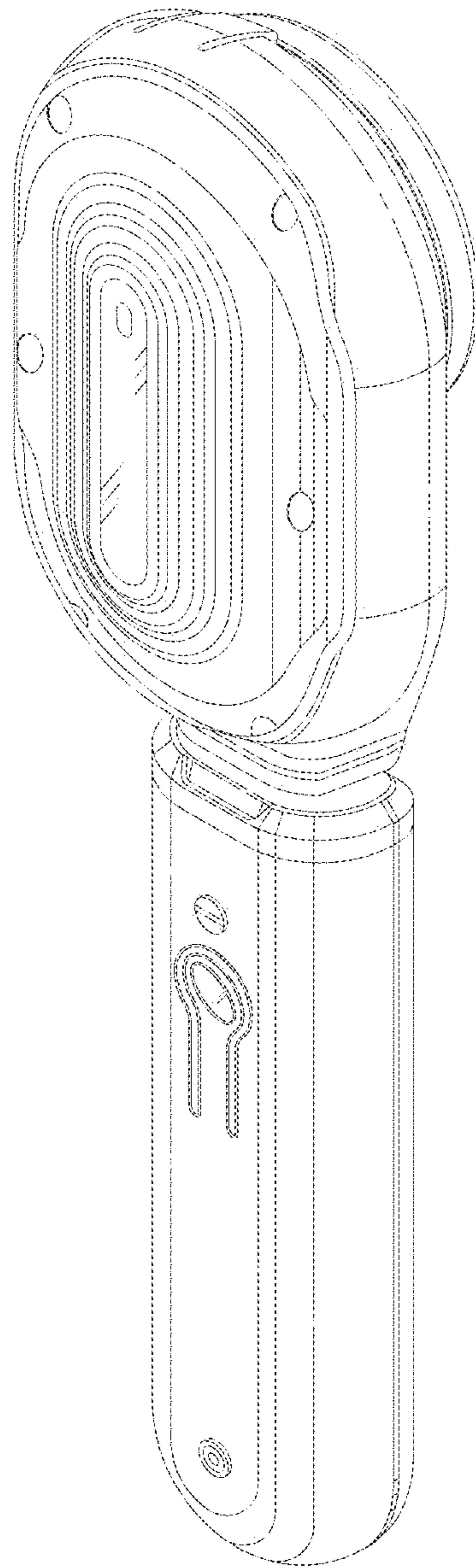


FIG.16



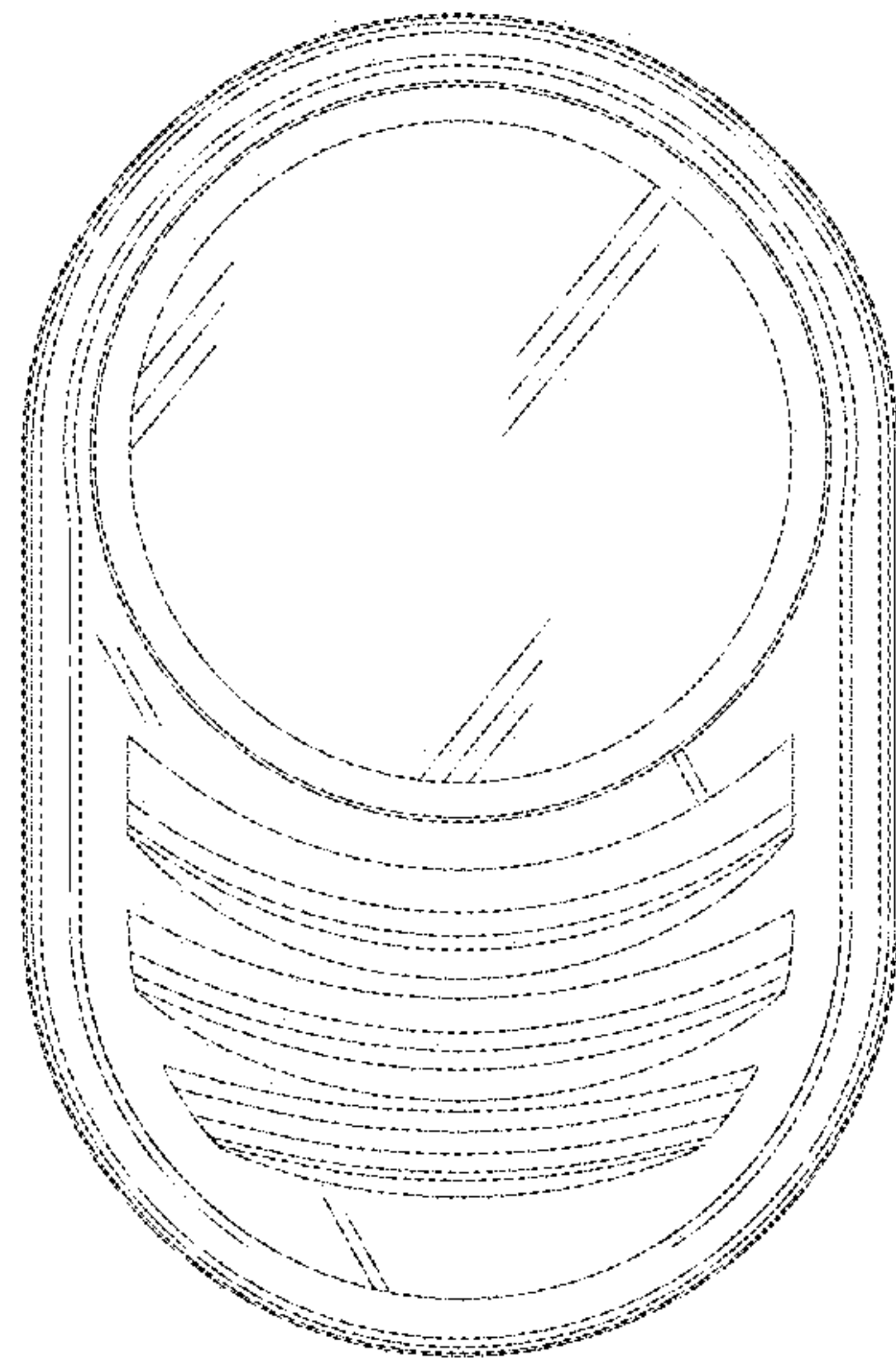


FIG.17

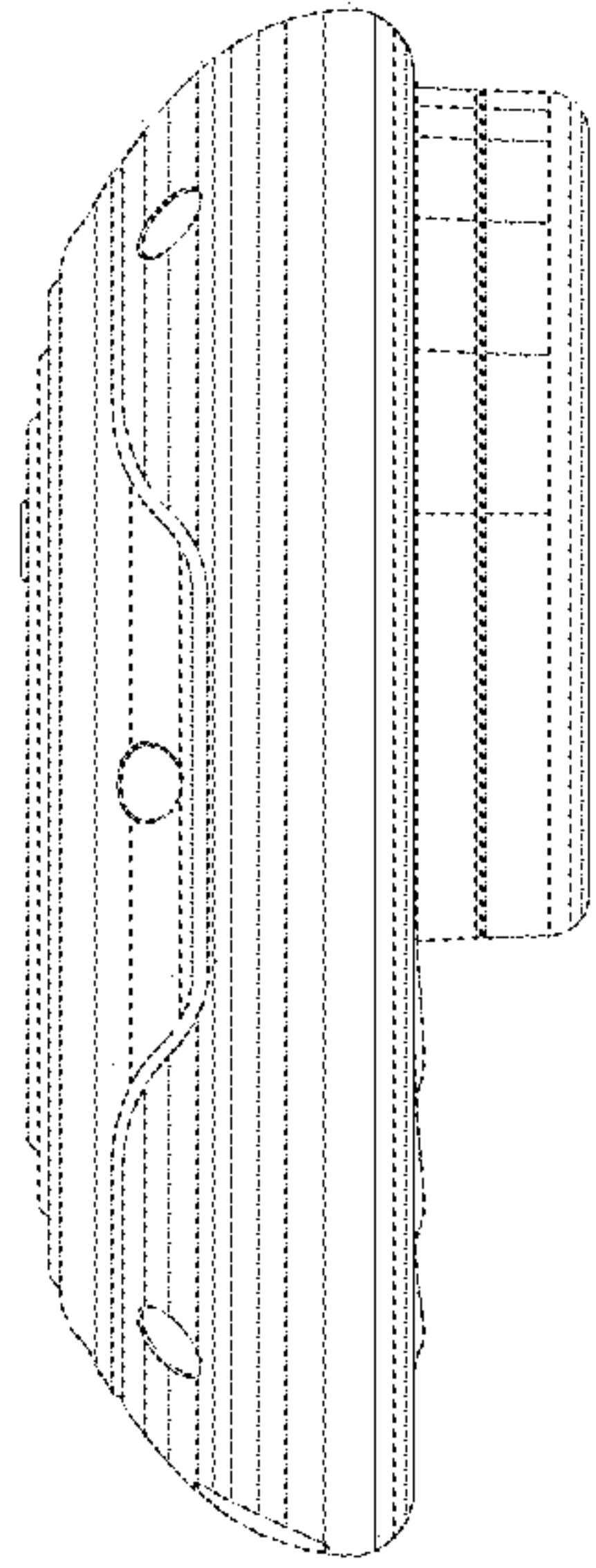


FIG.18

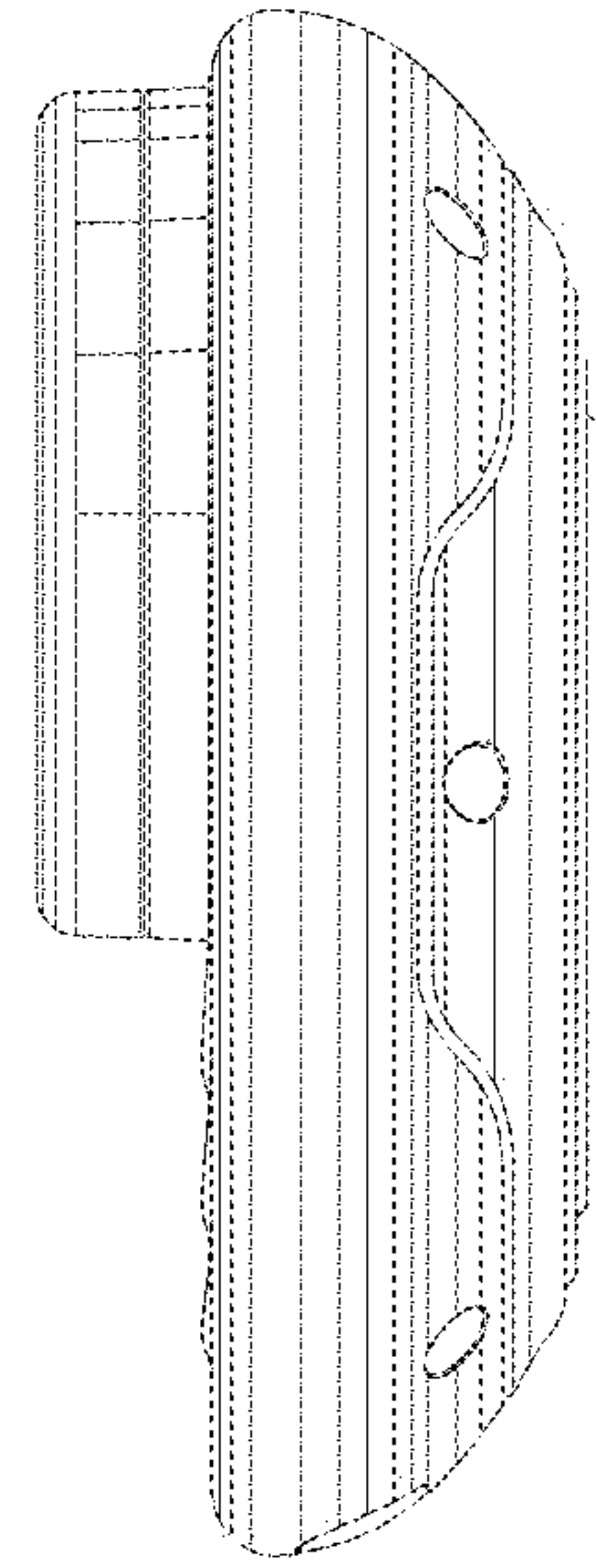


FIG.19

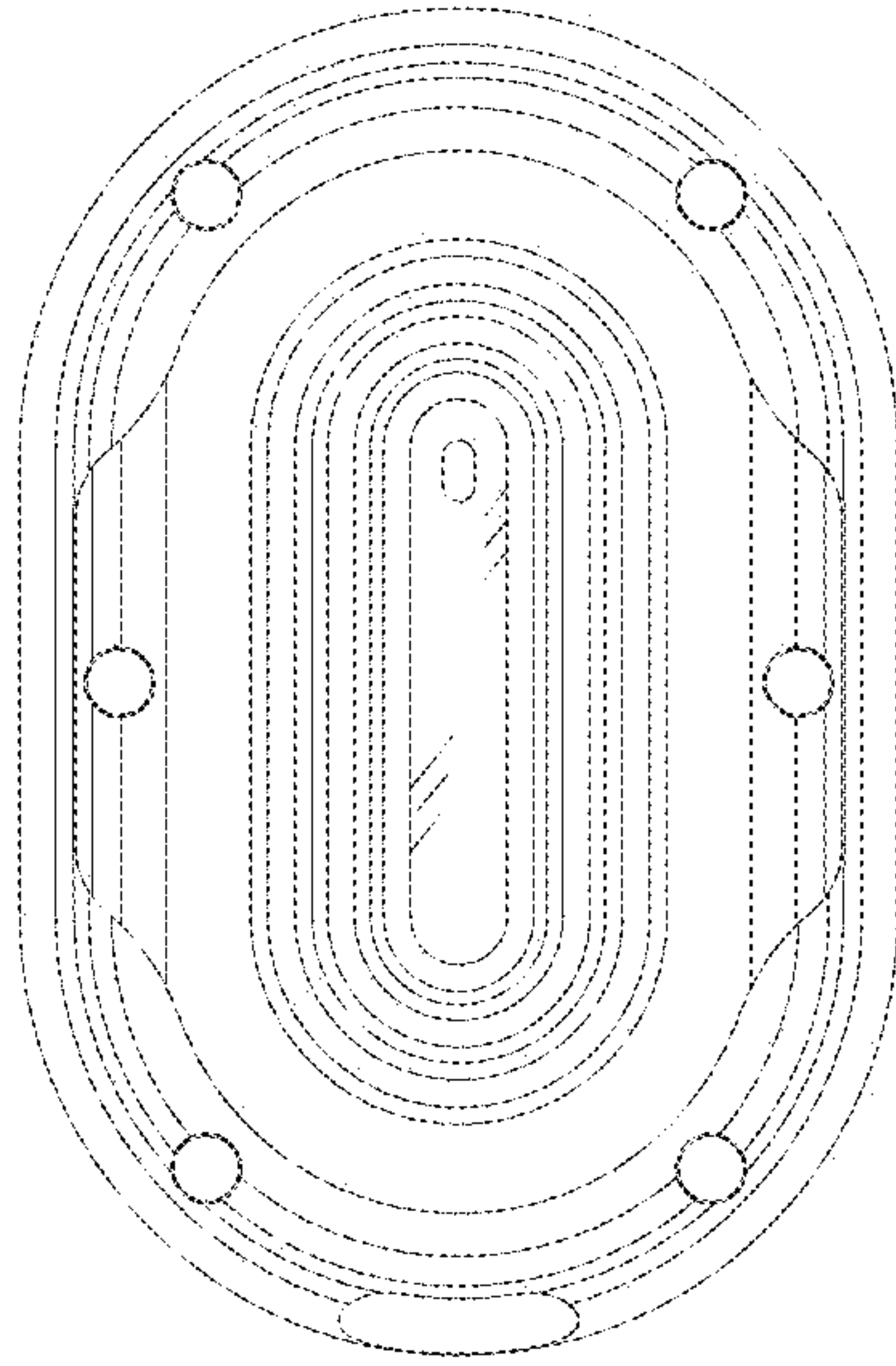


FIG.20

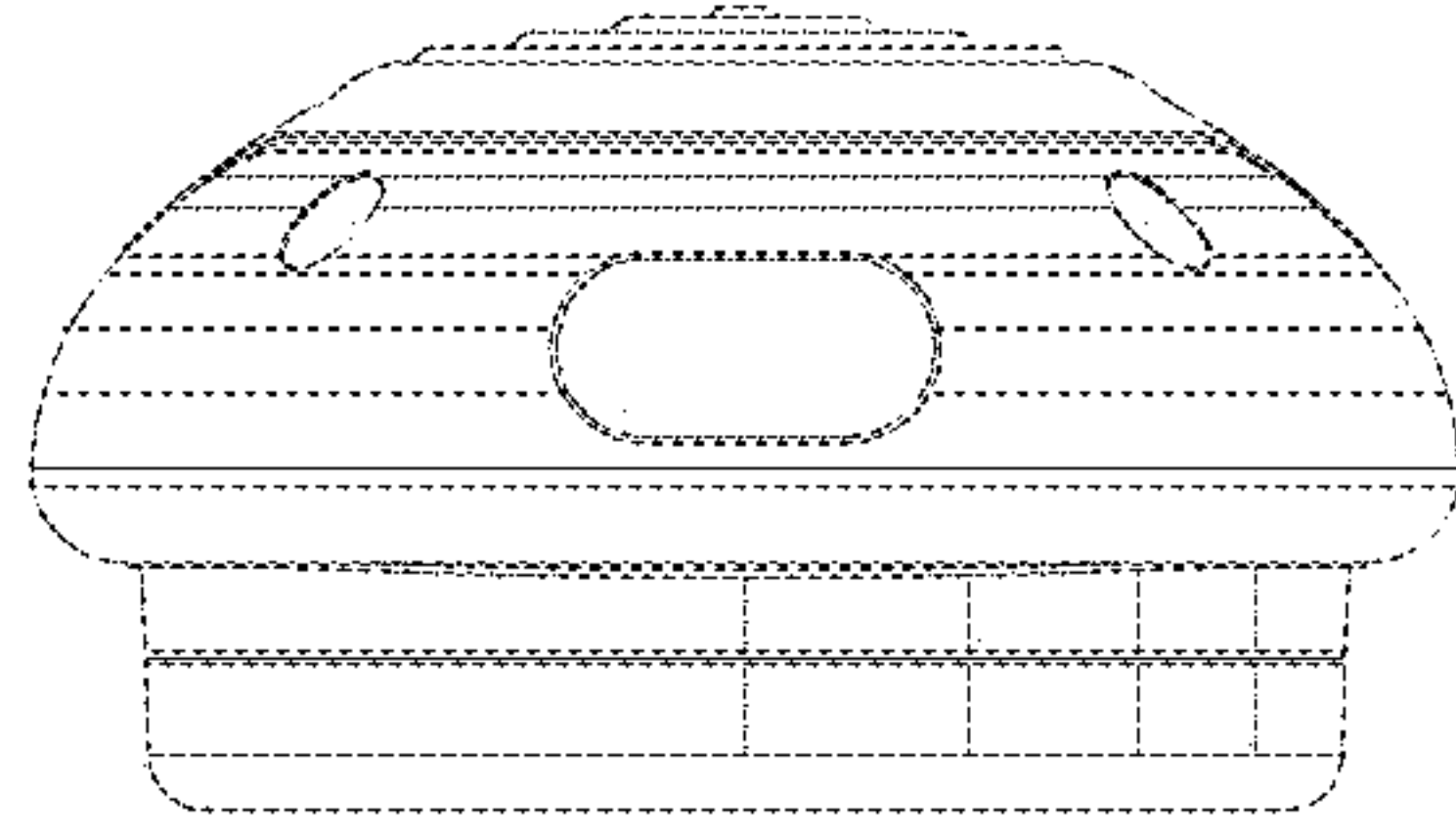


FIG.21

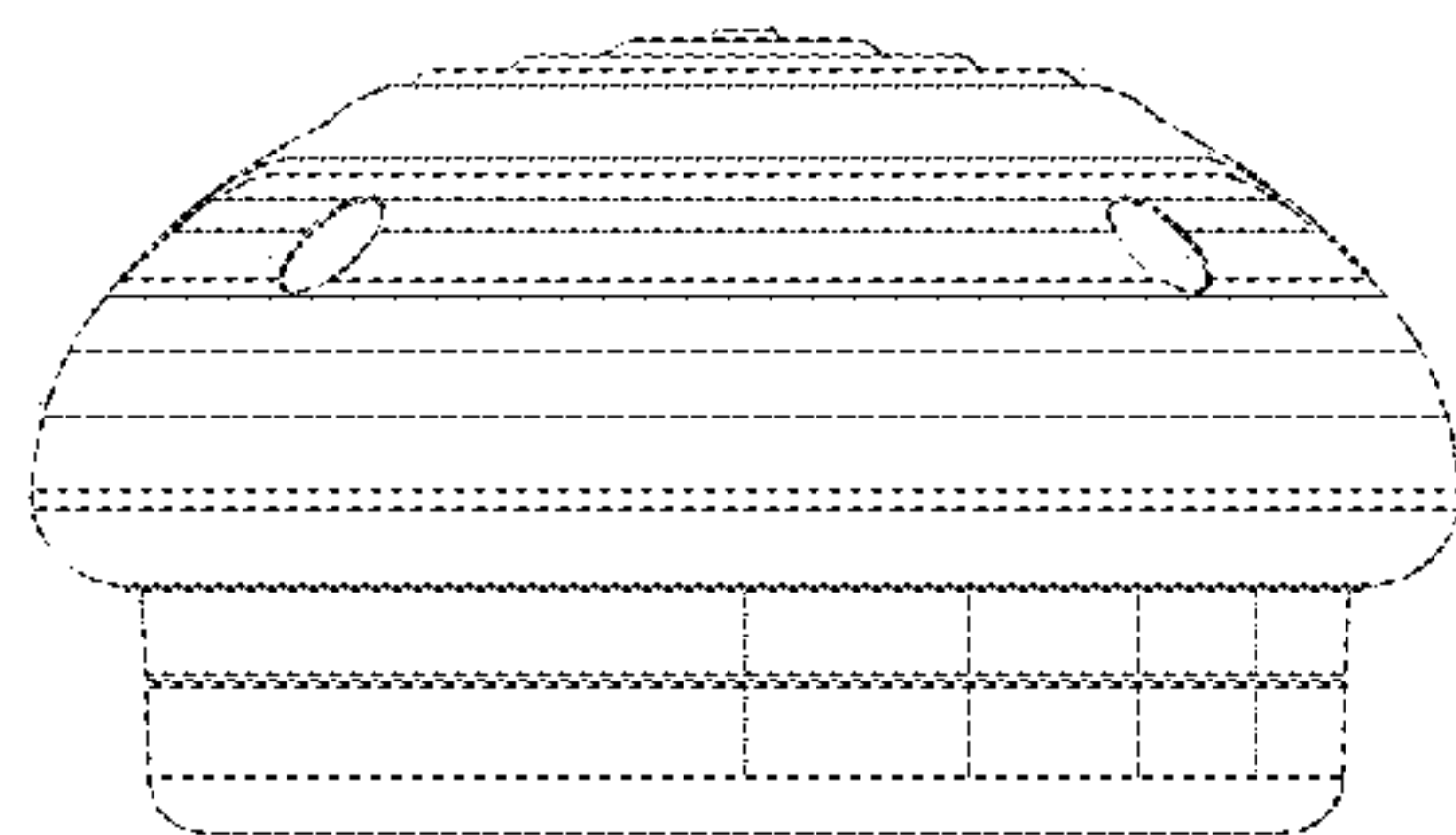


FIG.22

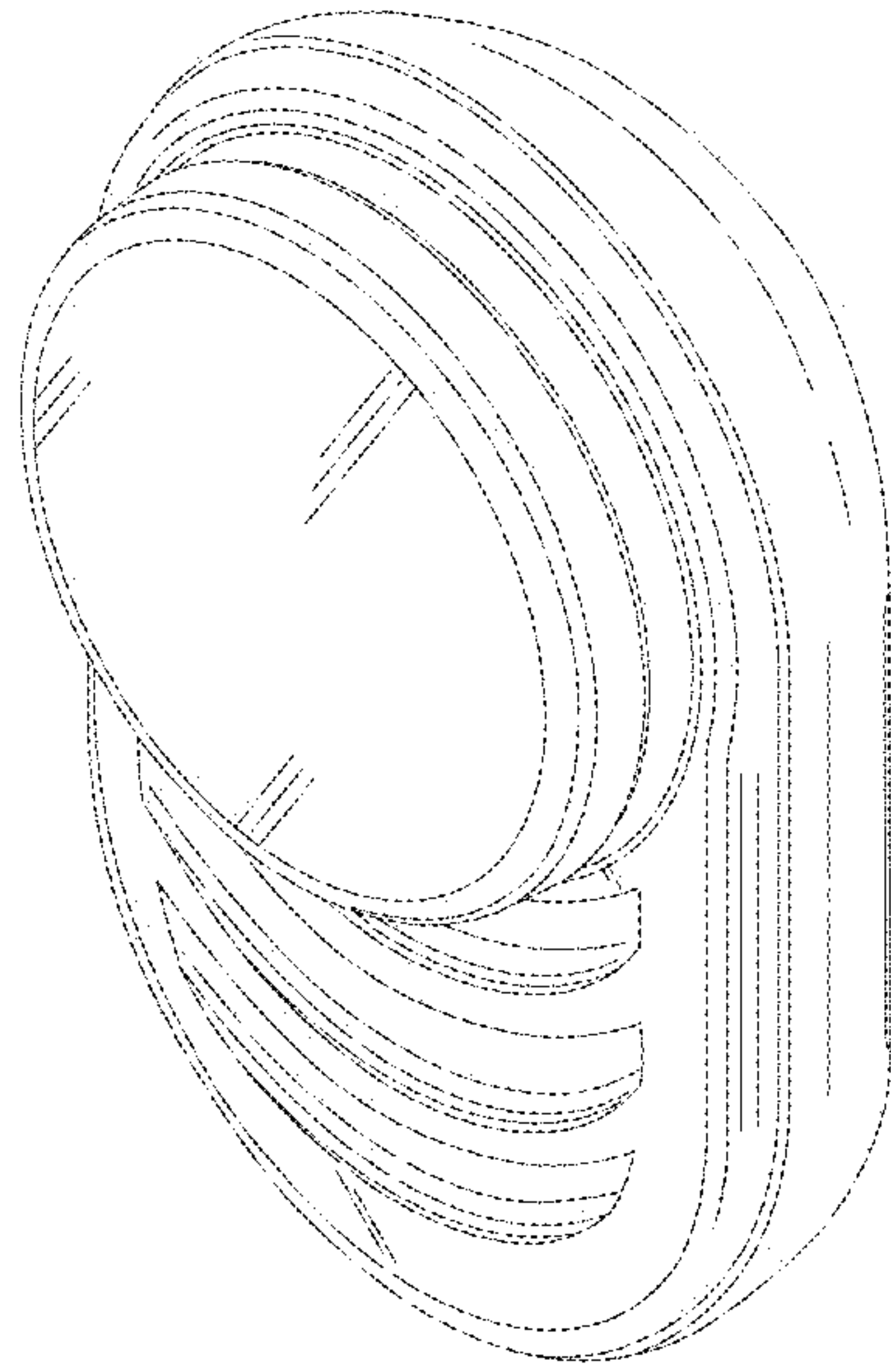


FIG.23

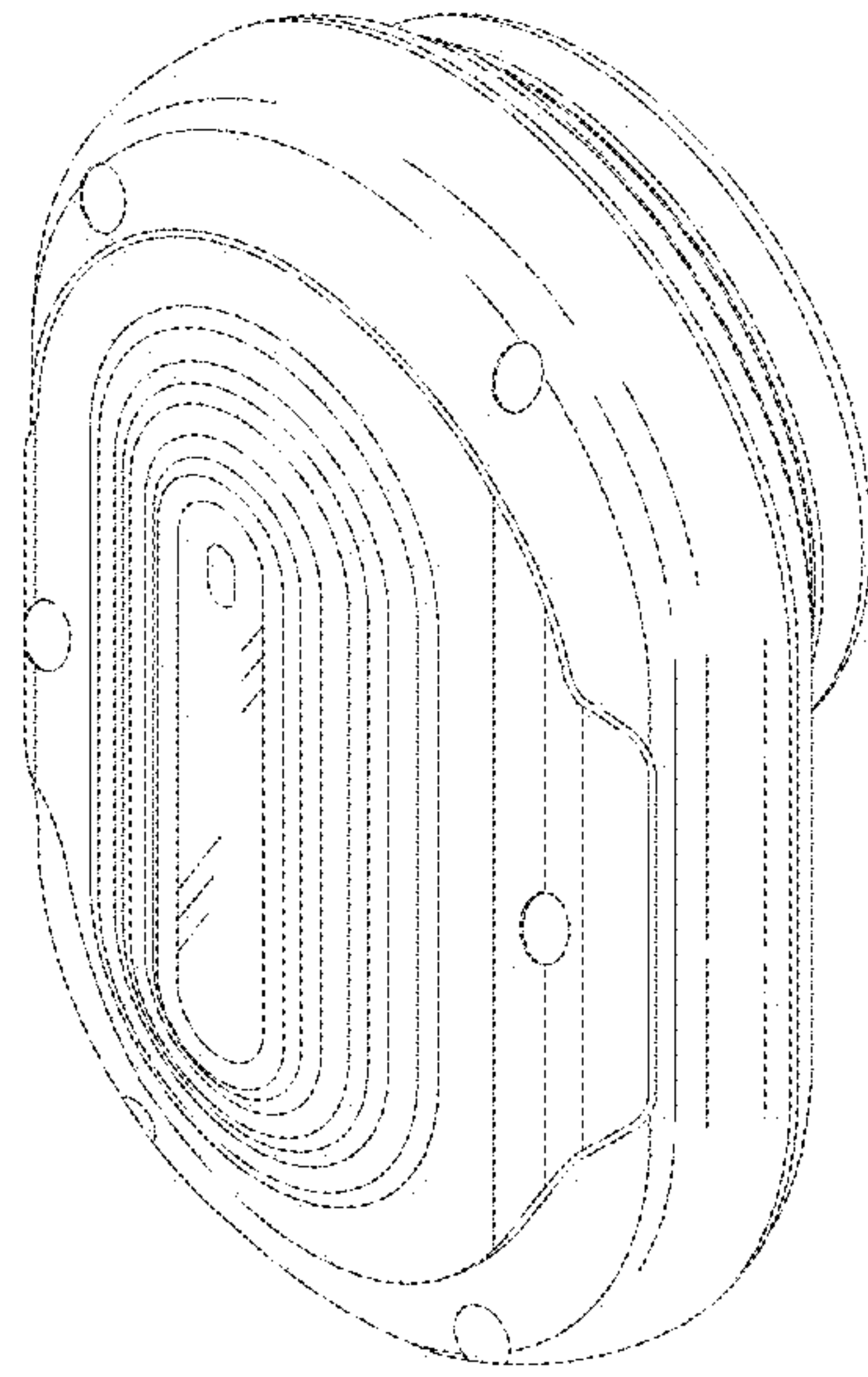


FIG.24