



US00D905259S

(12) **United States Design Patent**
Wang

(10) **Patent No.:** **US D905,259 S**

(45) **Date of Patent:** **** Dec. 15, 2020**

- (54) **EYE CARE MASSAGER**
- (71) Applicant: **Haitao Wang**, Shenzhen (CN)
- (72) Inventor: **Haitao Wang**, Shenzhen (CN)
- (73) Assignee: **Shenzhen Sist Technology Co., Ltd**
- (**) Term: **15 Years**
- (21) Appl. No.: **29/686,741**
- (22) Filed: **Apr. 8, 2019**
- (51) **LOC (12) Cl.** **28-03**
- (52) **U.S. Cl.**
USPC **D24/206; D24/214; D24/215**
- (58) **Field of Classification Search**
USPC D24/133, 200, 209, 211, 212, 213, 214,
D24/215, 188–192, 206–207, 141;
D28/7, 56–63, 88; D8/90, 94, 378;
D21/505; D9/434, 443, 454; D26/113,
D26/154; D11/181; D19/115, 187
CPC A61H 2201/1253; A61H 35/006; A61H
7/002; A61H 7/003; A61H 7/005; A61H
2205/022; A61H 2201/1692; A61H 7/00;
A61H 7/001; A61H 7/004; A61H 7/007;
A61H 7/008; A61H 15/00; A61H
15/0085; A61H 15/0092; A61H 39/02;
A61H 2015/005; A61H 2015/0007; A61H
2015/0014; A61H 2015/0042; A61H
2015/0071; A61H 2201/10; A61H
2201/0153; A61H 39/04; A61H 23/0263
See application file for complete search history.

(56) **References Cited**

U.S. PATENT DOCUMENTS

- D361,404 S * 8/1995 Haas D24/133
- D414,582 S * 9/1999 Hwang D24/200
- D538,430 S * 3/2007 Ohta D24/146
- D568,473 S * 5/2008 Ashiwa D24/133
- D582,048 S * 12/2008 Chiu D24/200

- D604,855 S * 11/2009 Shearlaw D24/133
- D612,510 S * 3/2010 Byle D24/210
- D637,308 S * 5/2011 Imboden D24/215
- D637,309 S * 5/2011 Park D24/215
- D637,729 S * 5/2011 Tompkin D24/215
- D652,523 S * 1/2012 Bradley D24/209
- D693,932 S * 11/2013 Nichols D24/214
- D711,538 S * 8/2014 Youngquist D24/158
- D726,926 S * 4/2015 Matsushita D24/200
- D734,479 S * 7/2015 Youngquist D24/158
- D736,399 S * 8/2015 Nichols D24/214
- D757,953 S * 5/2016 Philips D24/200
- D759,256 S * 6/2016 Chen D24/200
- D759,261 S * 6/2016 Son D24/215
- D759,831 S * 6/2016 Levi D24/200
- D770,635 S * 11/2016 Cole D24/200

(Continued)

OTHER PUBLICATIONS

FAR-infrared Negative Eye Massage,[site visited Jul. 1, 2020].
Available from Internet. URL:<https://shop.mychway.com/itm/SR-269.html> (Year: 2020).*

(Continued)

Primary Examiner — T Chase Nelson

Assistant Examiner — Kelly L Gross

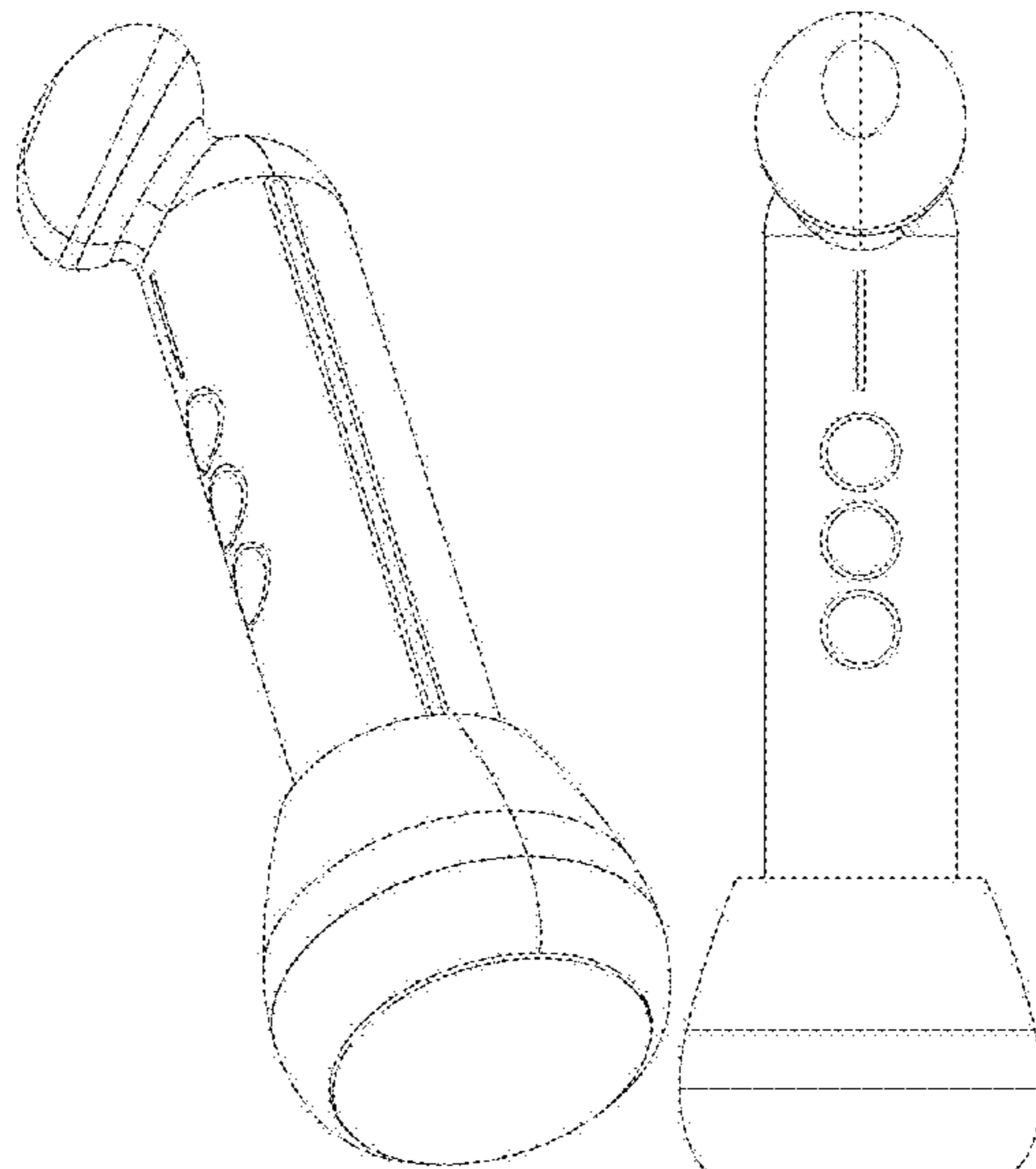
(57) **CLAIM**

The ornamental design for an eye care massager, as shown and described.

DESCRIPTION

FIG. 1 is a perspective view of the eye care massager showing my new design;
FIG. 2 is a top plan view thereof;
FIG. 3 is a rear elevational view thereof;
FIG. 4 is a bottom plan view thereof;
FIG. 5 is a right side view thereof;
FIG. 6 is a front elevational view thereof; and,
FIG. 7 is a left side view thereof.

1 Claim, 7 Drawing Sheets



(56)

References Cited

U.S. PATENT DOCUMENTS

D771,389 S * 11/2016 Since D24/200
 D773,676 S * 12/2016 Gufler D24/200
 D773,823 S * 12/2016 Wong D4/102
 D780,933 S * 3/2017 Uchida D24/200
 D791,960 S * 7/2017 Guanying D24/209
 D794,784 S * 8/2017 Bradley D24/133
 D797,287 S * 9/2017 de Albuquerque D24/146
 D797,302 S * 9/2017 Vahlensieck D24/209
 D797,951 S * 9/2017 Miklavc D24/215
 D805,305 S * 12/2017 Wang D4/100
 D821,759 S * 7/2018 Szymanski D4/138
 D822,841 S * 7/2018 Cheng D24/206
 D822,843 S * 7/2018 Lenke D24/215
 10,034,710 B2 * 7/2018 Yang A61N 5/0616
 D827,842 S * 9/2018 Bainton D24/200
 D828,925 S * 9/2018 Levi D24/214
 D829,333 S * 9/2018 Shin D24/209
 D838,860 S * 1/2019 Lee D24/214
 D840,546 S * 2/2019 Xiangmei D24/209
 D844,161 S * 3/2019 De Klein D24/209
 D847,360 S * 4/2019 Levi D24/214
 D850,638 S * 6/2019 Cha D24/200
 D855,195 S * 7/2019 Kymm D24/209

D855,818 S * 8/2019 Kymm D24/209
 D860,470 S * 9/2019 Li D24/214
 D865,990 S * 11/2019 Ko D24/215
 D868,988 S * 12/2019 Lieberman D24/215
 D870,305 S * 12/2019 Yamazaki D24/214
 D871,076 S * 12/2019 Lee D4/102
 D871,600 S * 12/2019 Wang D24/215
 D880,709 S * 4/2020 Levi D24/209
 D880,710 S * 4/2020 Amoyal D24/209
 D884,203 S * 5/2020 Segev D24/209
 D887,544 S * 6/2020 Inoue D24/107
 D888,264 S * 6/2020 Sherrill D24/215

OTHER PUBLICATIONS

Electric Eyes Massager,[site visited Jul. 1, 2020]. Available from Internet. URL: https://www.wish.com/product/electric-eyes-massager-portable-firming-skin-handheld-eyes-massager-reduce-eye-wrinkles-5e4296bccdd21358c07088de?hide_login_modal=true&share=web (Year: 2020).*

Face Massager,[site visited Jul. 1, 2020]. Available from Internet. URL: <https://www.amazon.com/Face-Massager-Anti-Aging-Tightening-Moisturizer/dp/B07R237M3Y/?tag=homecookin0cb-20> (Year: 2020).*

* cited by examiner

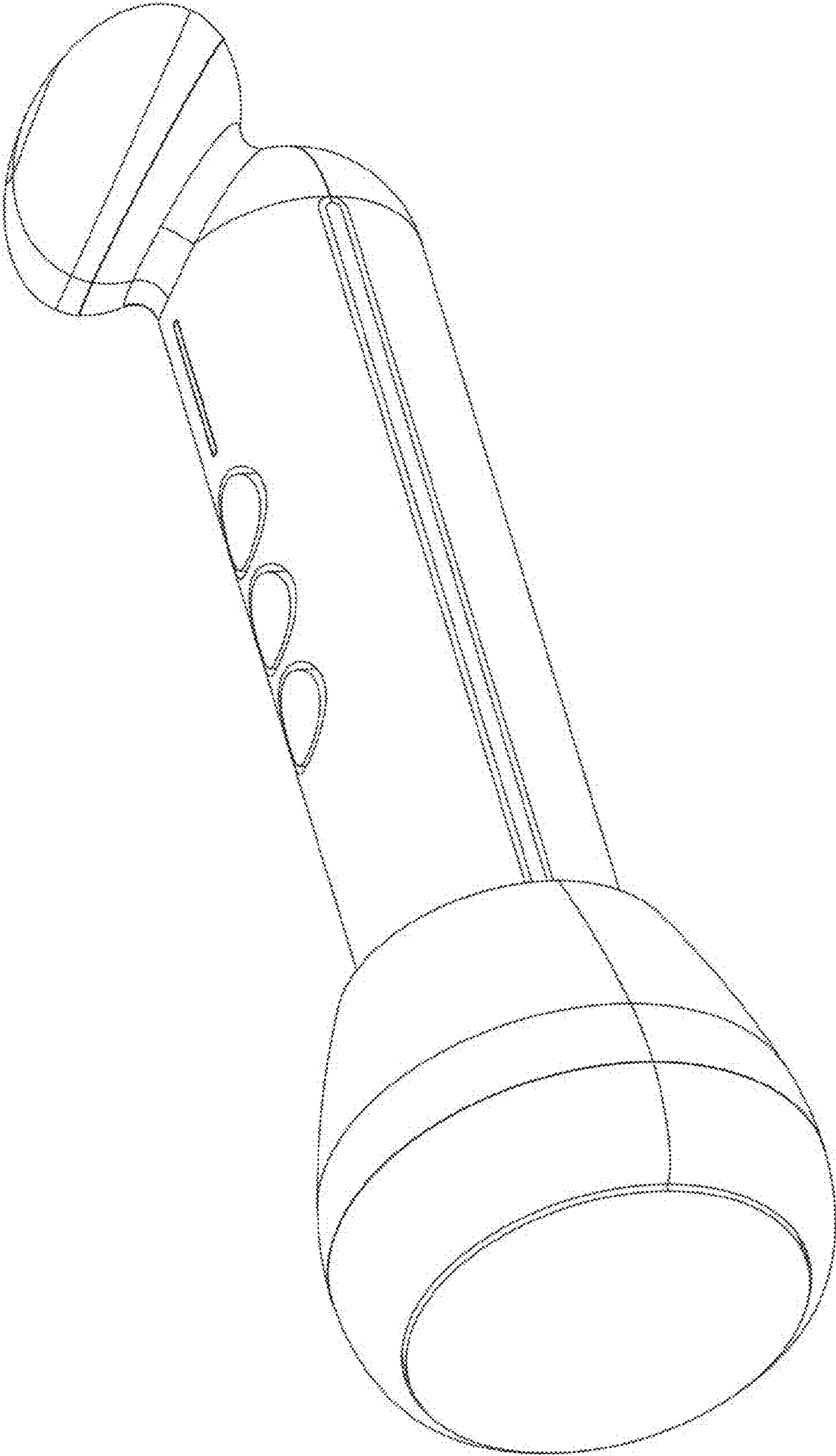


FIG.1

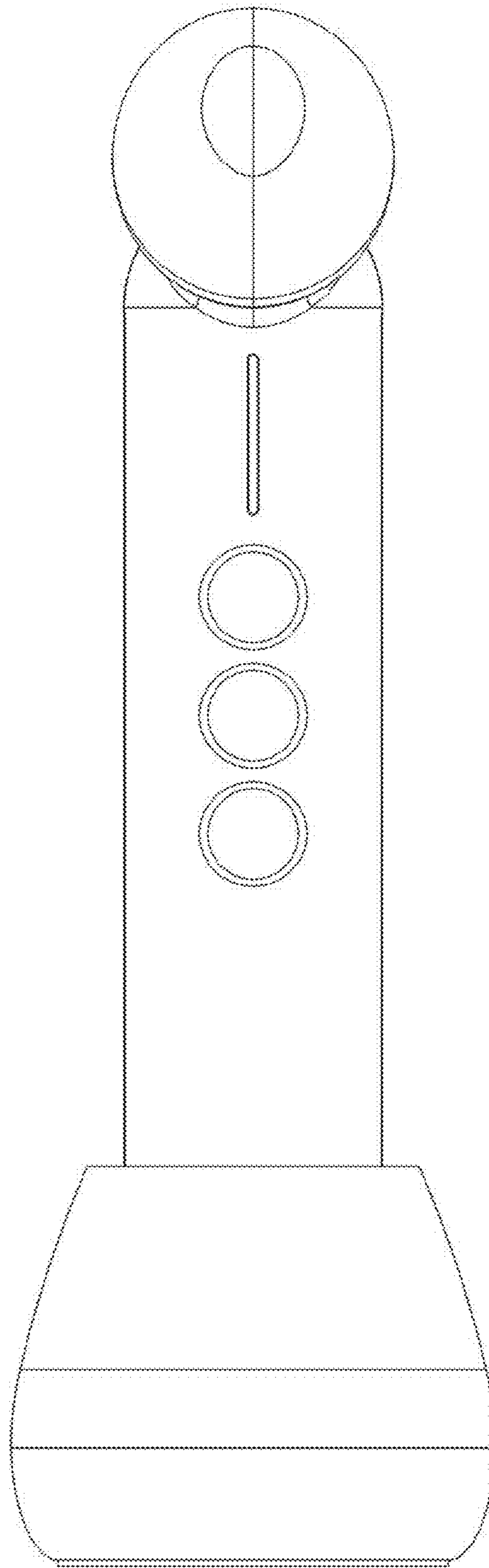


FIG.2

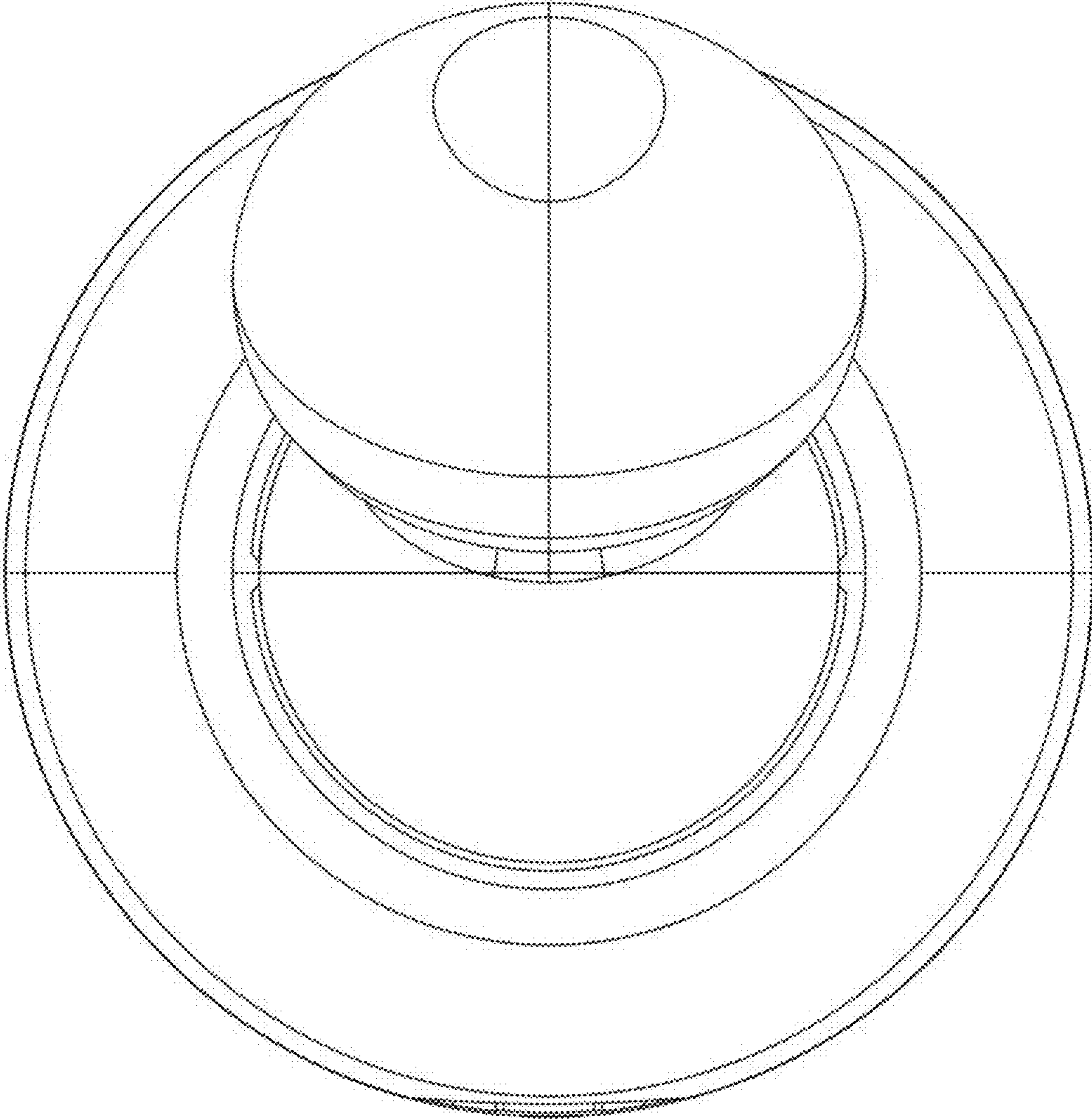


FIG.3

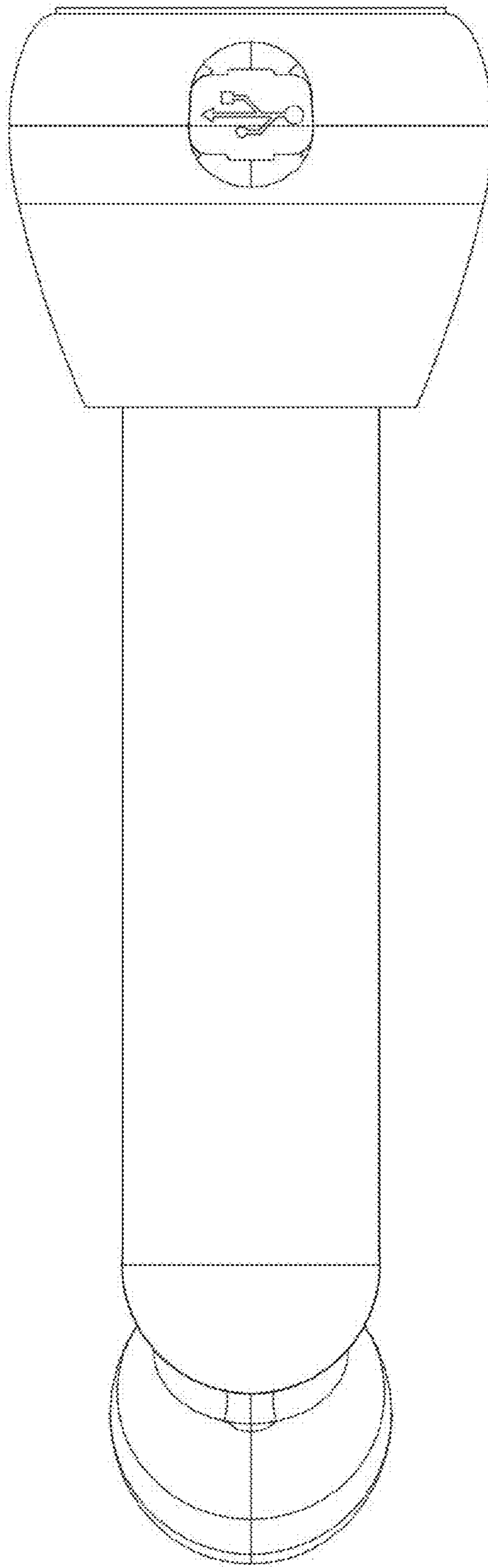


FIG.4

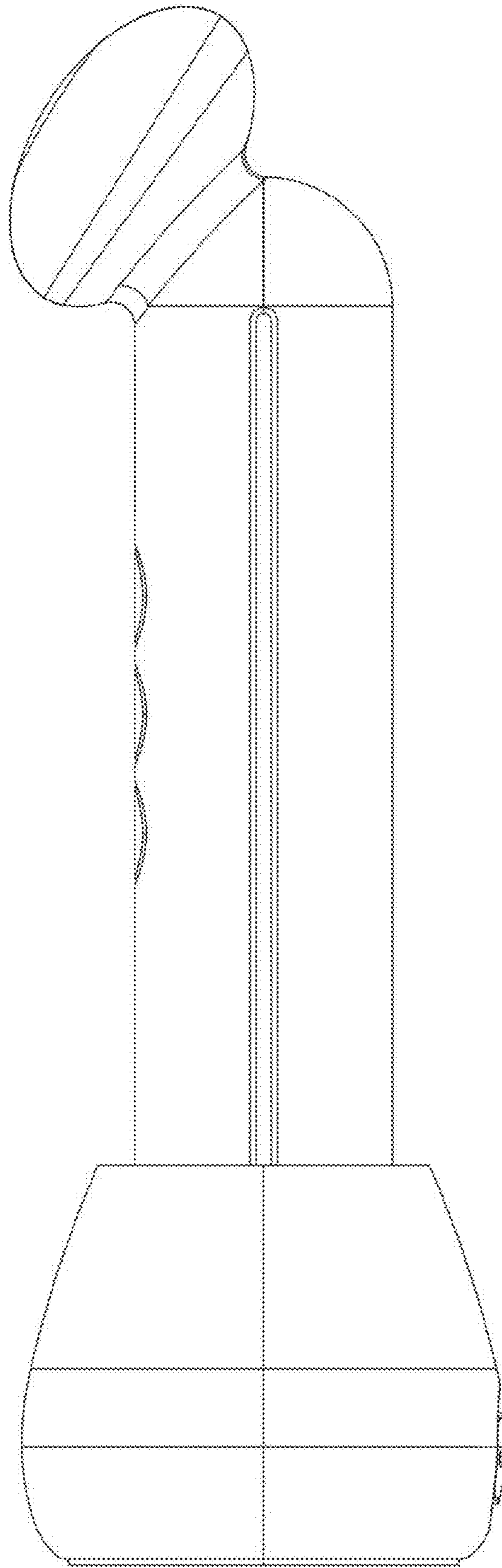


FIG.5

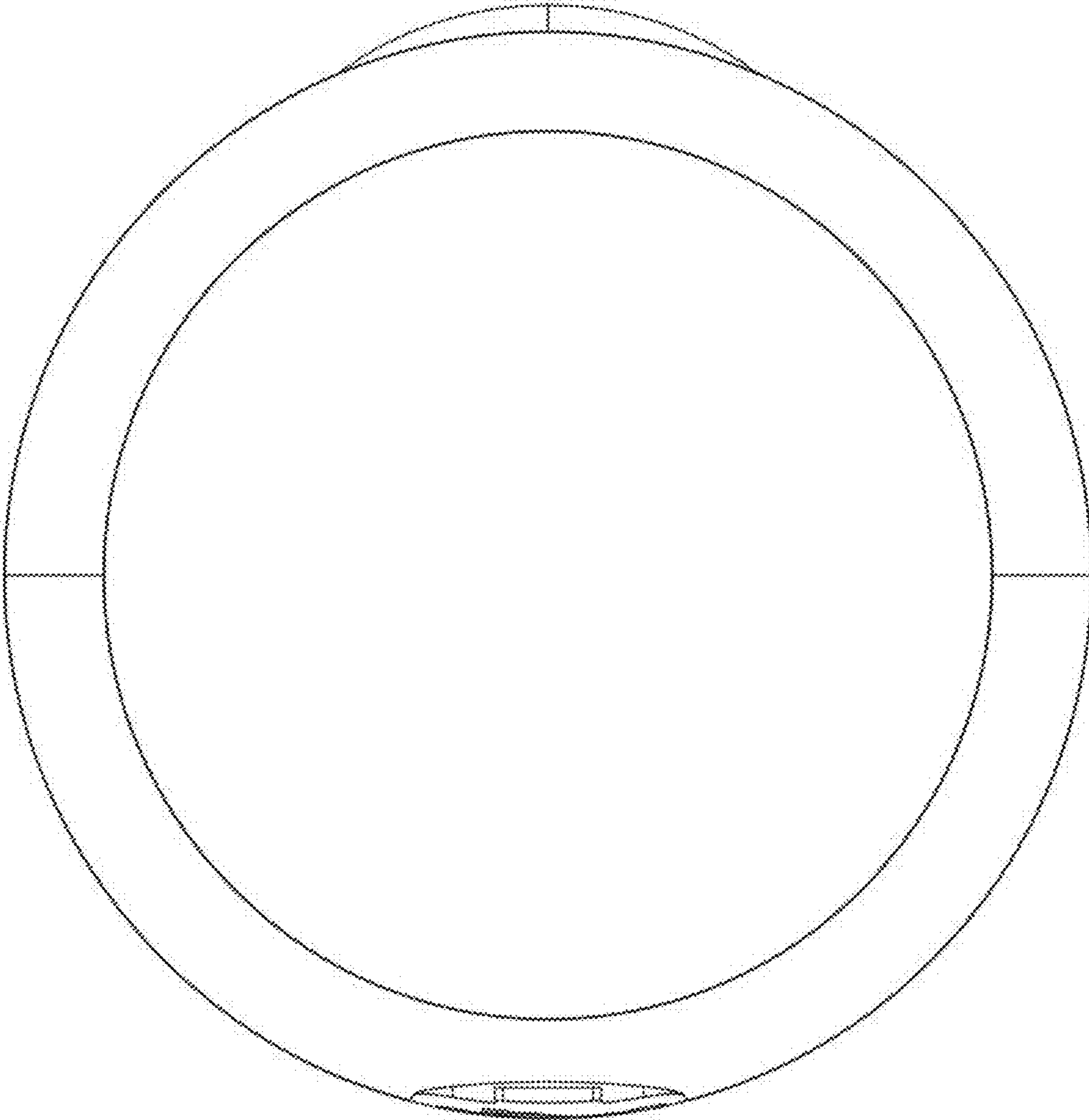


FIG. 6

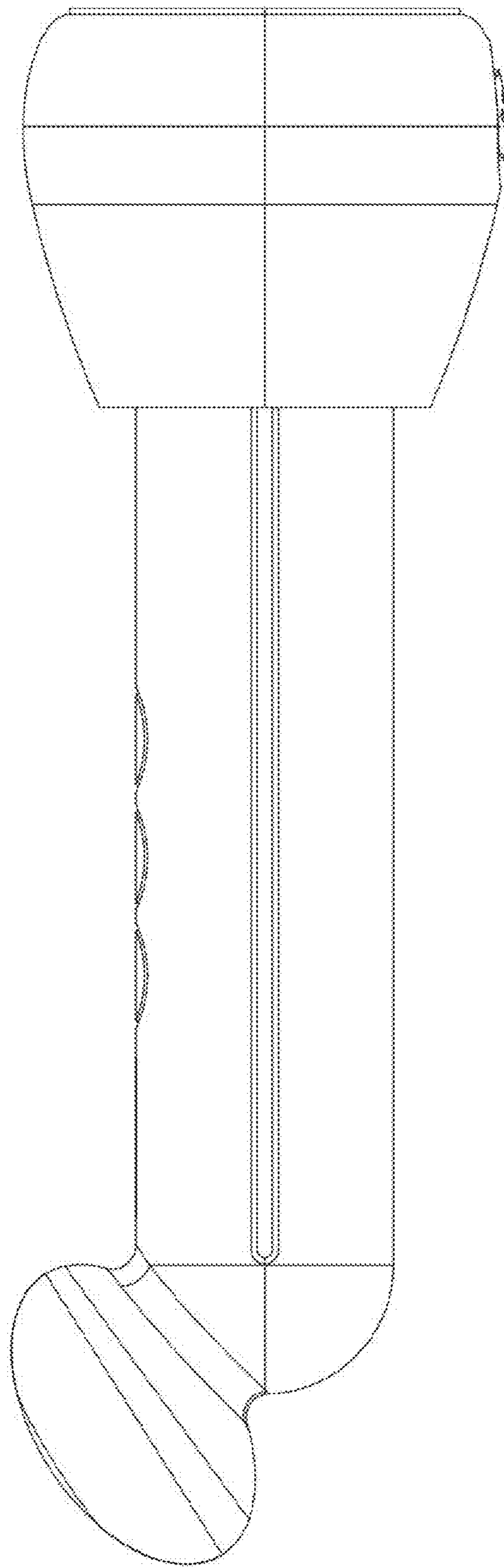


FIG.7