



US00D905258S

(12) **United States Design Patent**  
**Lowsky**

(10) **Patent No.: US D905,258 S**  
(45) **Date of Patent: \*\* Dec. 15, 2020**

(54) **TEETHER**

OTHER PUBLICATIONS

(71) Applicant: **LullaBites, LLC**, Columbia, SC (US)

“Green Sprouts: Molar Teether”. Found online Mar. 12, 2020 at amazon.com. Reference dated Nov. 24, 2017. Retrieved from [https://www.amazon.com/green-sprouts-Silicone-massages-Dishwasher/dp/B074V6M74C/ref=cm\\_cr\\_ar\\_p\\_d\\_product\\_top?ie=UTF8](https://www.amazon.com/green-sprouts-Silicone-massages-Dishwasher/dp/B074V6M74C/ref=cm_cr_ar_p_d_product_top?ie=UTF8).\*

(72) Inventor: **Rebecca E. Lowsky**, Columbia, SC (US)

“Bumkins: Silicone Teether: The Flash”. Found online Mar. 12, 2020 at bumkins.com. Reference dated Feb. 17, 2018. Retrieved from [https://tineye.com/search/5f7a5bfc40d16853c529dad3549896478cc3f277?page=1&sort=crawl\\_date&order=asc&extension\\_ver=chrome-1.3.0](https://tineye.com/search/5f7a5bfc40d16853c529dad3549896478cc3f277?page=1&sort=crawl_date&order=asc&extension_ver=chrome-1.3.0).\*

(73) Assignee: **LullaBites, LLC**, Columbia, SC (US)

“Bella Zailea: Lola Cactus Teether”. Found online Mar. 12, 2020 at facebook.com. Reference dated Apr. 10, 2018. Retrieved from <https://b-m.facebook.com/bellazailea/photos/a.1437528346577520/1912825292381154/?type=3&source=54>.\*

(\*\*) Term: **15 Years**

“Little Standout Teethers: Kickstarter”. Found online Nov. 2, 2016 at kickstarter.com. Reference dated May 14, 2015. Retrieved from [https://www.kickstarter.com/projects/scivins/little-standout-silicone-teething-toys?ref=nav\\_search](https://www.kickstarter.com/projects/scivins/little-standout-silicone-teething-toys?ref=nav_search).\*

(21) Appl. No.: **29/672,016**

(22) Filed: **Dec. 1, 2018**

(51) **LOC (12) Cl.** ..... **24-04**

(52) **U.S. Cl.**  
USPC ..... **D24/195**

(58) **Field of Classification Search**  
USPC ..... D24/193, 194, 195, 115, 117, 214;  
D1/101, 104, 106, 107, 199; D21/576,  
D21/584, 606, 607; D3/293, 301;  
D30/160  
CPC ..... A61J 17/02; A61J 17/001  
See application file for complete search history.

\* cited by examiner

*Primary Examiner* — Kendra Leslie Hamilton  
(74) *Attorney, Agent, or Firm* — Nelson Mullins Riley & Scarborough, LLP

(56) **References Cited**

(57) **CLAIM**

U.S. PATENT DOCUMENTS

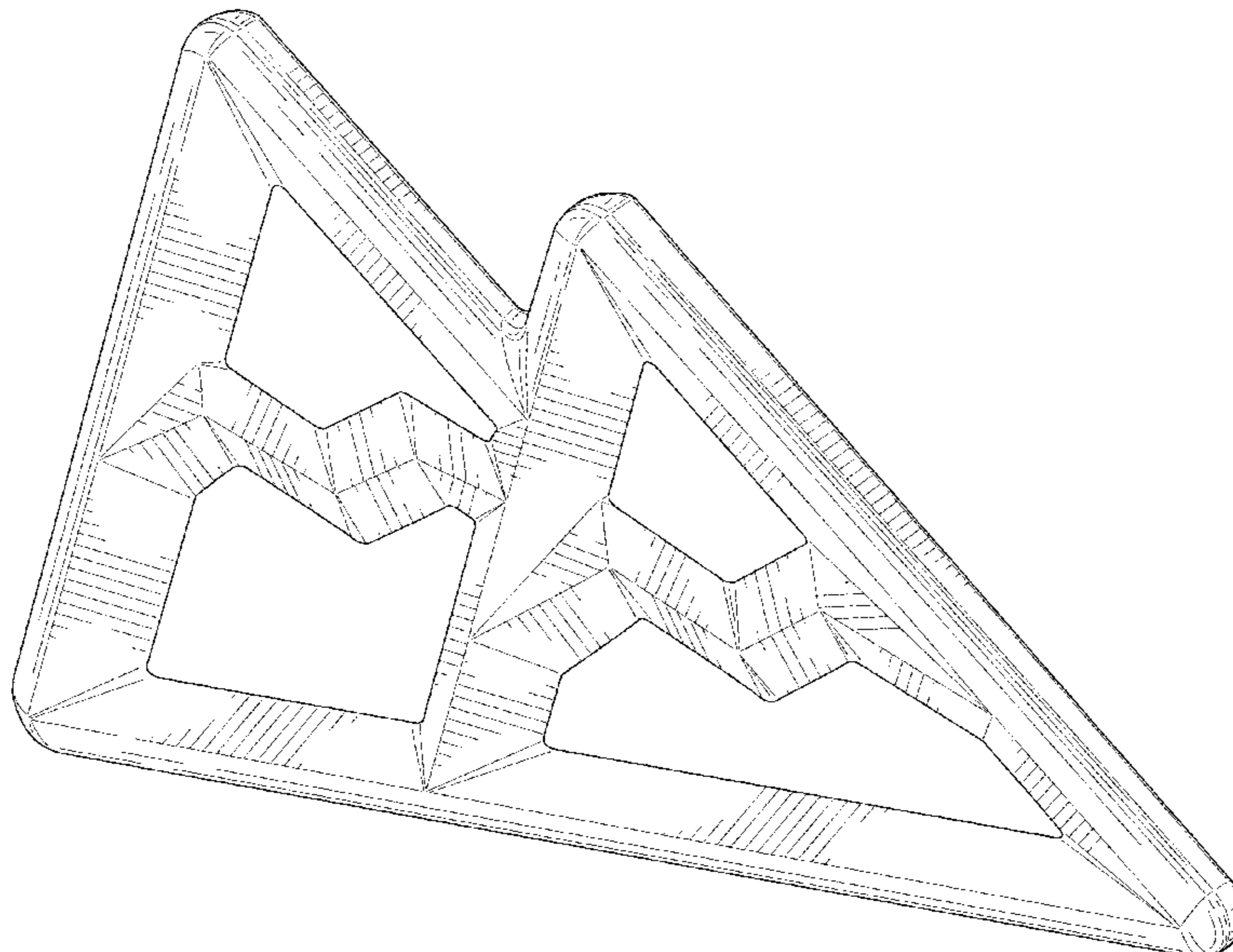
The ornamental design for a teether, substantially as shown and described.

D221,496 S *	8/1971	Herbst	.....	D24/194
3,753,266 A *	8/1973	Ceniceros	.....	A46B 9/04
				15/110
D264,880 S *	6/1982	Panicci	.....	D21/408
5,782,868 A *	7/1998	Moore, Jr.	.....	A61J 17/02
				606/235
D513,822 S *	1/2006	Haro	.....	D1/106
D552,745 S *	10/2007	Beckman	.....	D24/194
D598,118 S *	8/2009	Schiavoni	.....	D30/160
D715,024 S *	10/2014	Torres Sanchez	.....	D1/126
D724,235 S *	3/2015	Kuneyl	.....	D24/194
D738,581 S *	9/2015	Elliott	.....	D30/160
D788,931 S *	6/2017	Jones Andersson	.....	D24/195
D870,901 S *	12/2019	Reukema	.....	D24/195
2019/0059328 A1 *	2/2019	Crane	.....	A01K 15/026

**DESCRIPTION**

FIG. 1 is a top, front, right perspective view of a teether, showing my new design;  
FIG. 2 is a front elevation view thereof;  
FIG. 3 is a rear elevation view thereof;  
FIG. 4 is a right side elevation view thereof;  
FIG. 5 is a left side elevation view thereof;  
FIG. 6 is a top plan view thereof; and,  
FIG. 7 is a bottom plan view thereof.

**1 Claim, 5 Drawing Sheets**



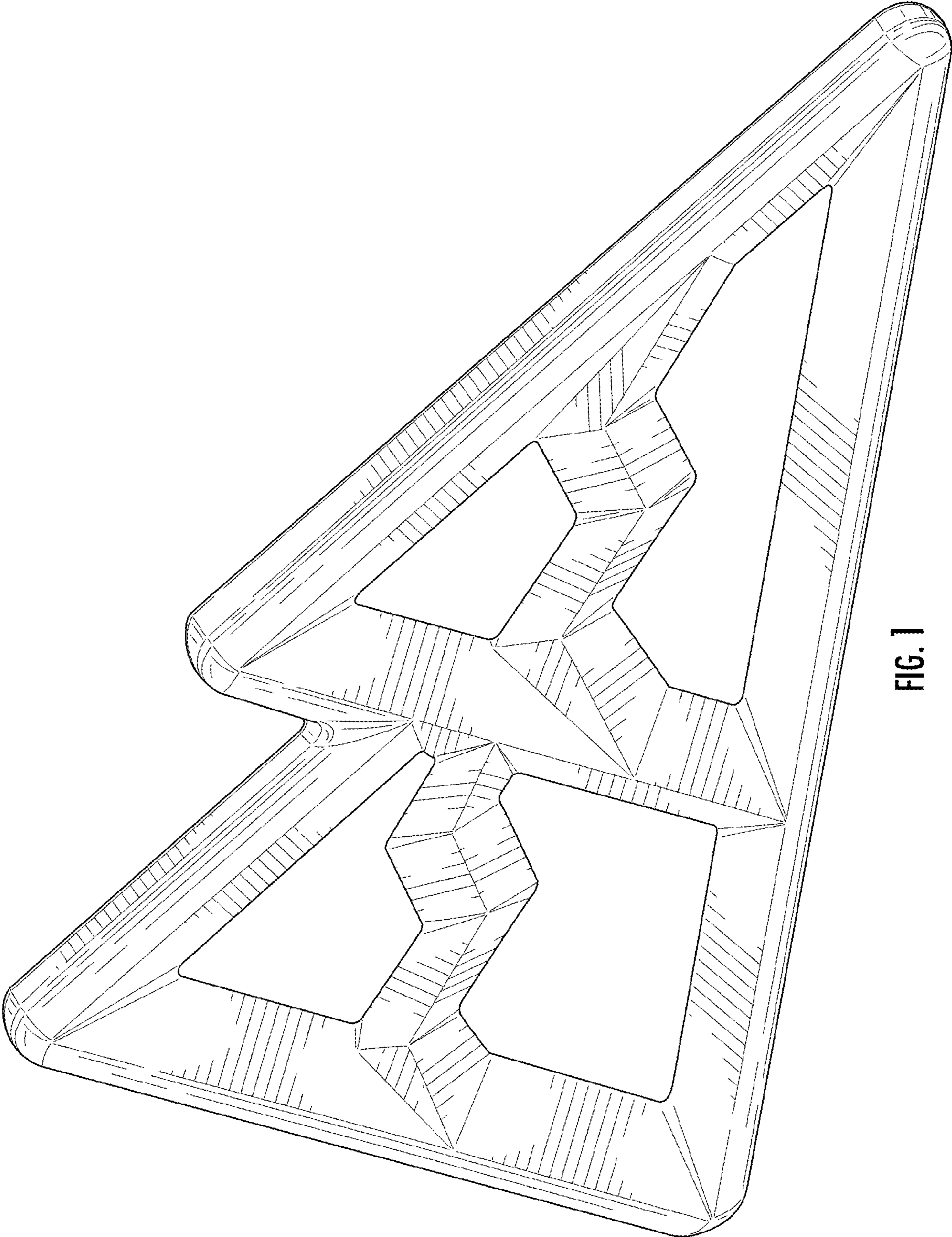


FIG. 1

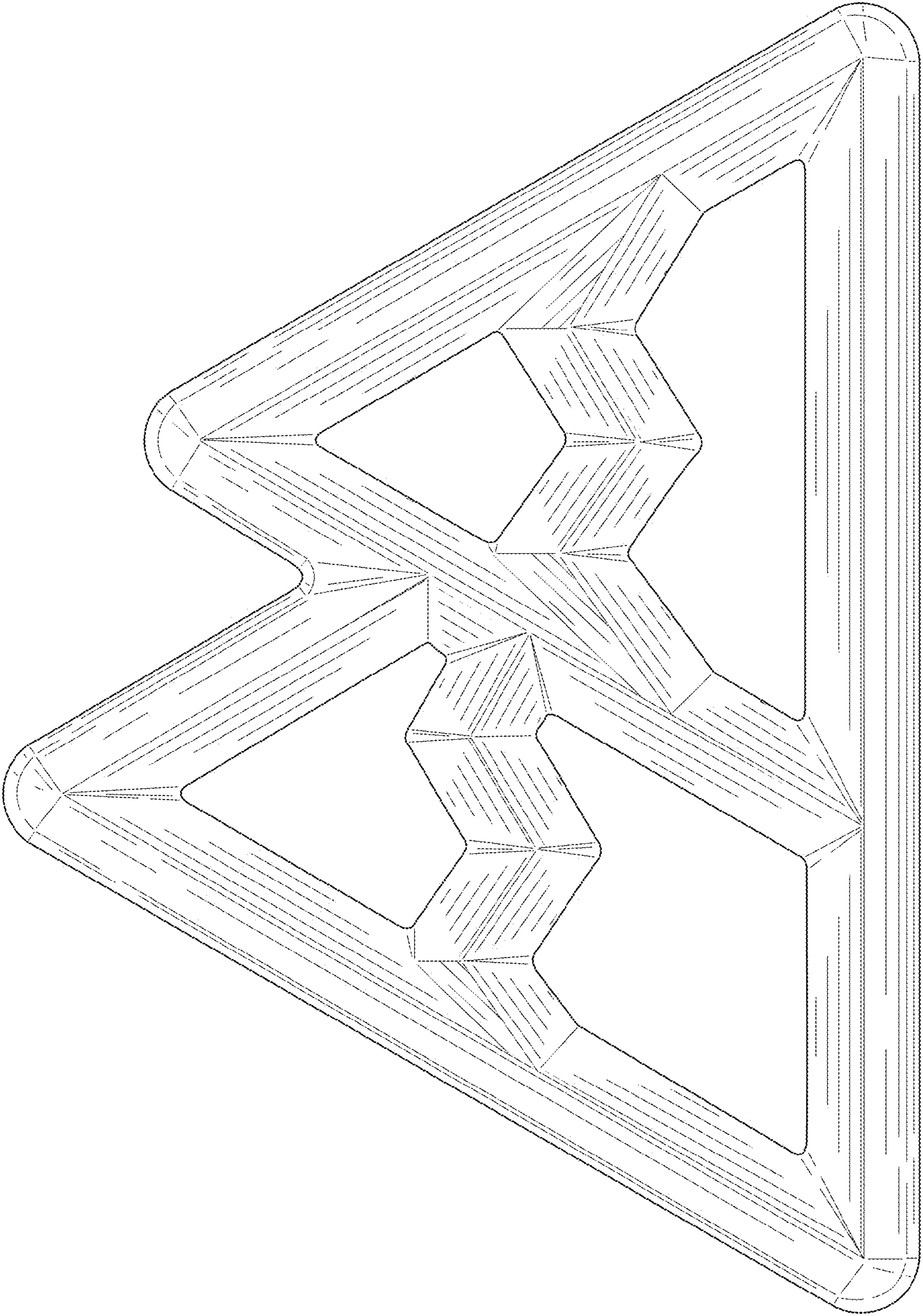


FIG. 2

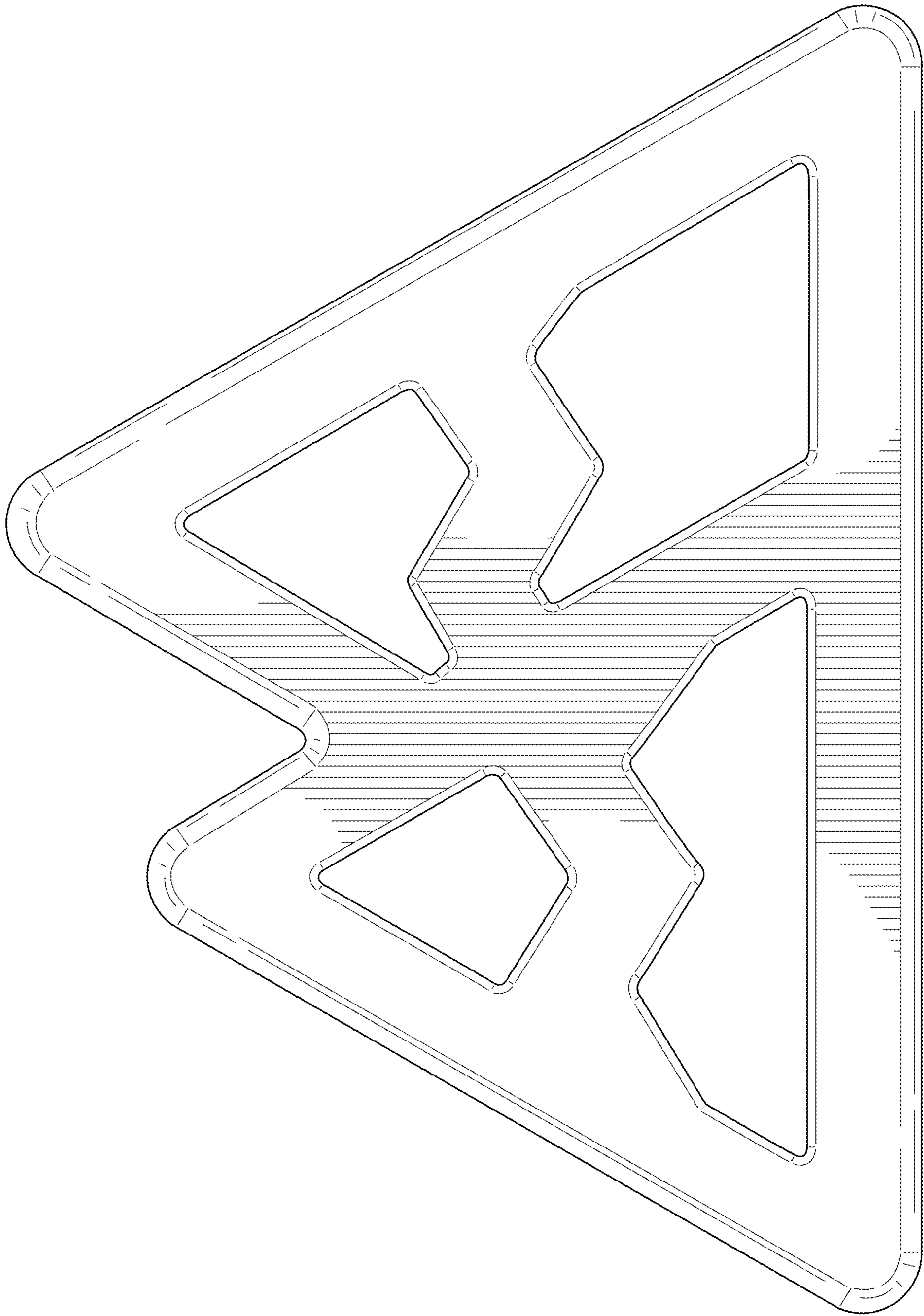


FIG. 3

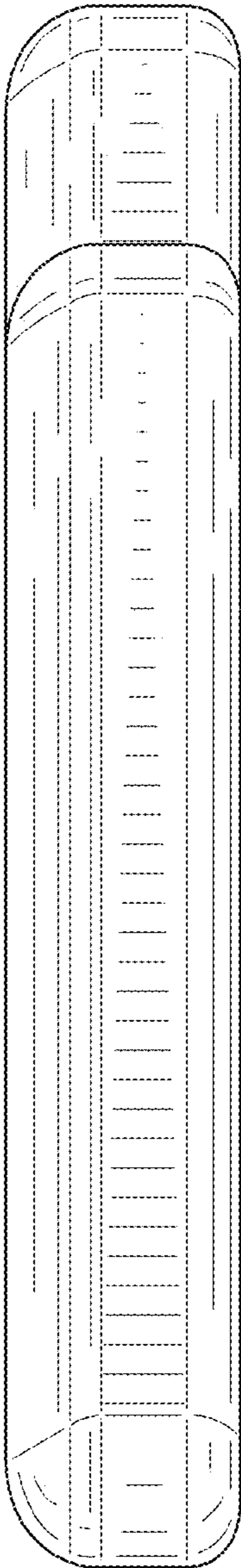


FIG. 4

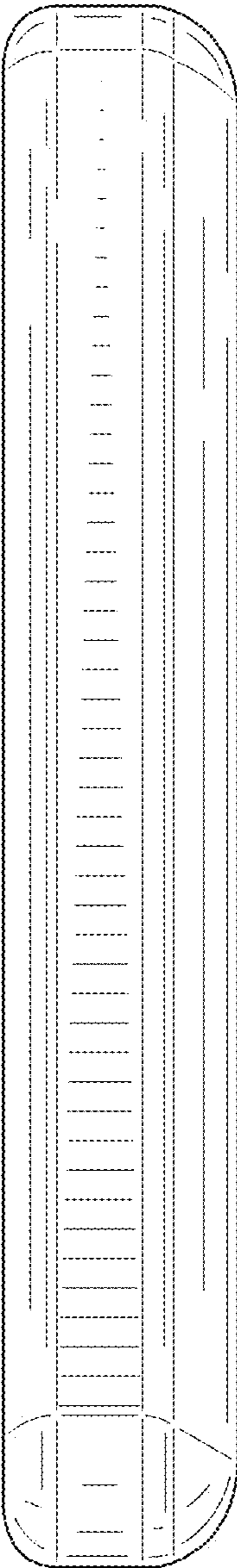


FIG. 5

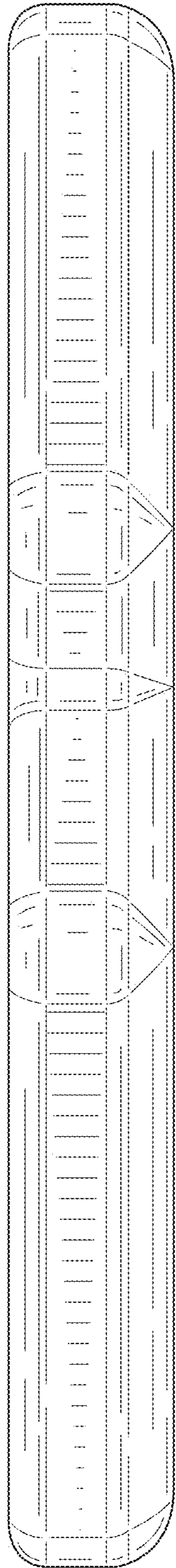


FIG. 6

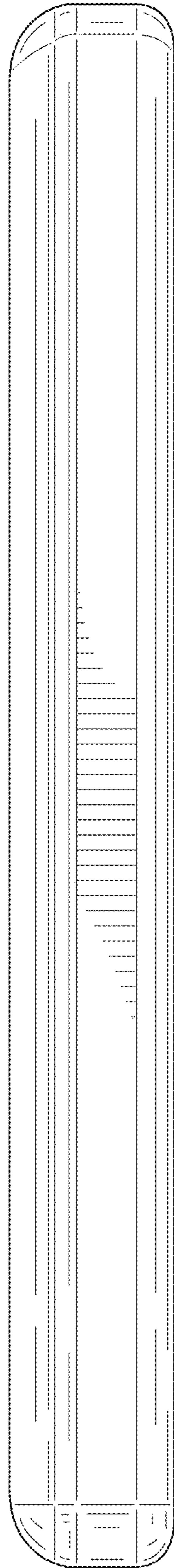


FIG. 7