



US00D905251S

(12) **United States Design Patent**  
**Groethe**

(10) **Patent No.:** **US D905,251 S**

(45) **Date of Patent:** **\*\* Dec. 15, 2020**

(54) **PORTABLE CLEANING STATION FOR PHYSICALLY DISABLED PATIENTS**

(71) Applicant: **Christine Groethe**, Edgewater, CO (US)

(72) Inventor: **Christine Groethe**, Edgewater, CO (US)

(\*\*) Term: **15 Years**

(21) Appl. No.: **29/743,713**

(22) Filed: **Jul. 23, 2020**

**Related U.S. Application Data**

(63) Continuation-in-part of application No. 16/924,756, filed on Jul. 9, 2020.

(51) **LOC (12) Cl.** ..... **24-01**

(52) **U.S. Cl.**  
USPC ..... **D24/188**

(58) **Field of Classification Search**  
USPC ..... D24/188-192; D21/662  
CPC ..... A61F 5/028; A61F 5/055; A61F 5/3738;  
A61F 13/108; A61F 13/062  
See application file for complete search history.

(56) **References Cited**

**U.S. PATENT DOCUMENTS**

6,516,469 B1 \* 2/2003 Schaezel ..... A41D 19/0075  
119/850  
D598,816 S \* 8/2009 Ahlbertz ..... D12/131

D638,547 S \* 5/2011 Peavey ..... D24/190  
8,727,048 B2 \* 5/2014 Jurkiewicz ..... A61G 5/045  
180/65.1  
D813,401 S \* 3/2018 Clement ..... D24/188  
D854,668 S \* 7/2019 Wipper ..... D23/311  
D865,974 S \* 11/2019 LeSure ..... D24/188  
D871,591 S \* 12/2019 Lauronen ..... D24/188  
D873,183 S \* 1/2020 Gabriely ..... D12/131  
2008/0263757 A1 \* 10/2008 Samuels ..... A47K 13/14  
4/239  
2014/0283293 A1 \* 9/2014 Staats ..... A45D 19/04  
4/516

\* cited by examiner

*Primary Examiner* — Jennifer L Watkins

(57) **CLAIM**

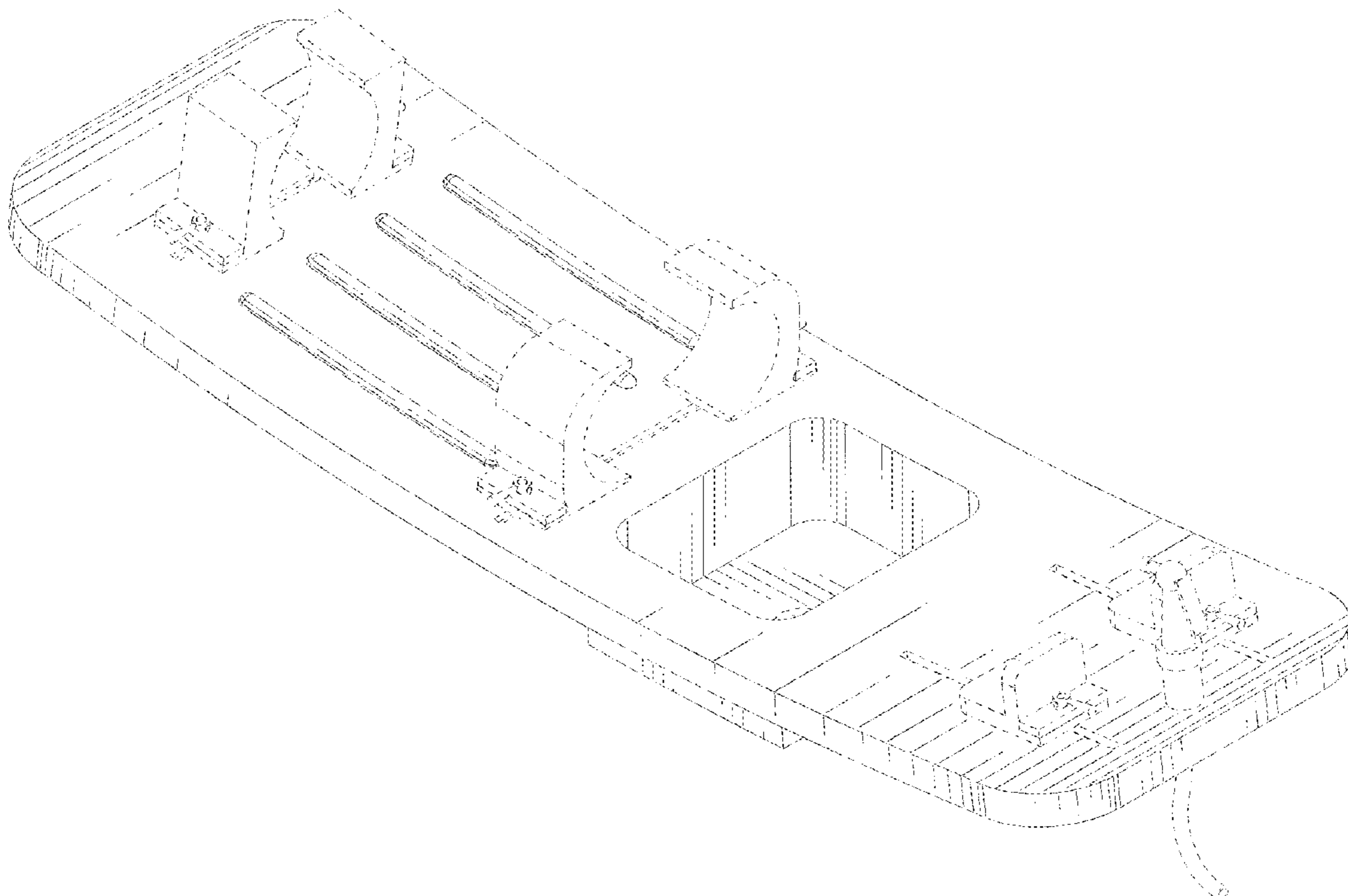
The ornamental design for a portable cleaning station for physically disable patients, as shown and described.

**DESCRIPTION**

FIG. 1 is a top perspective view of a portable cleaning station for physically disable patients;  
FIG. 2 is a bottom perspective view of thereof;  
FIG. 3 is a top plan view thereof;  
FIG. 4 is a bottom plan view thereof;  
FIG. 5 is a left-side elevational view thereof;  
FIG. 6 is a right-side elevational view thereof;  
FIG. 7 is a front elevational view thereof; and,  
FIG. 8 is a rear elevational view thereof.

The broken line showing in FIG. 1-8 is included for the purpose of showing environmental structure and forms no part of the claimed design.

**1 Claim, 8 Drawing Sheets**



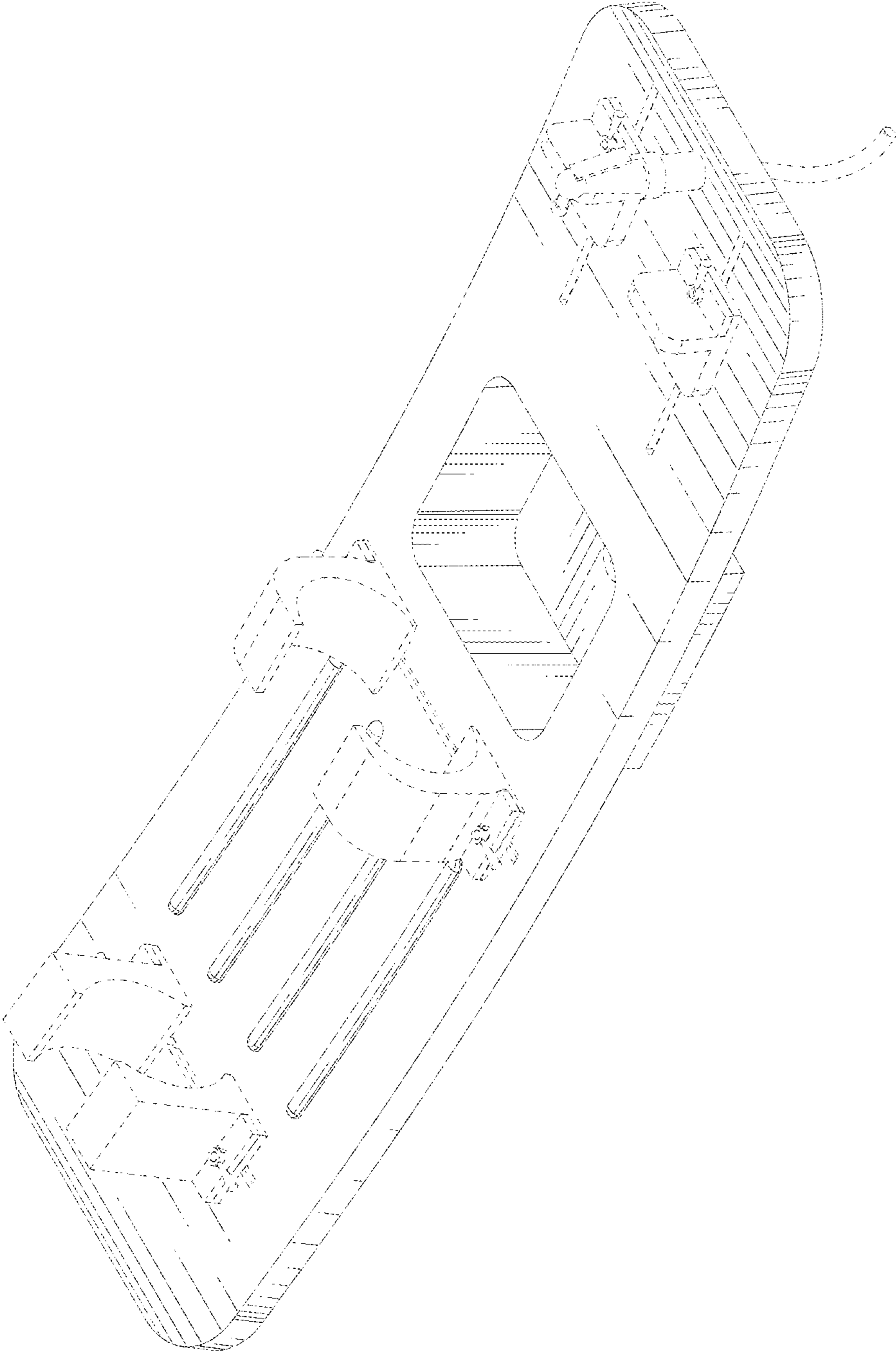


FIG. 1

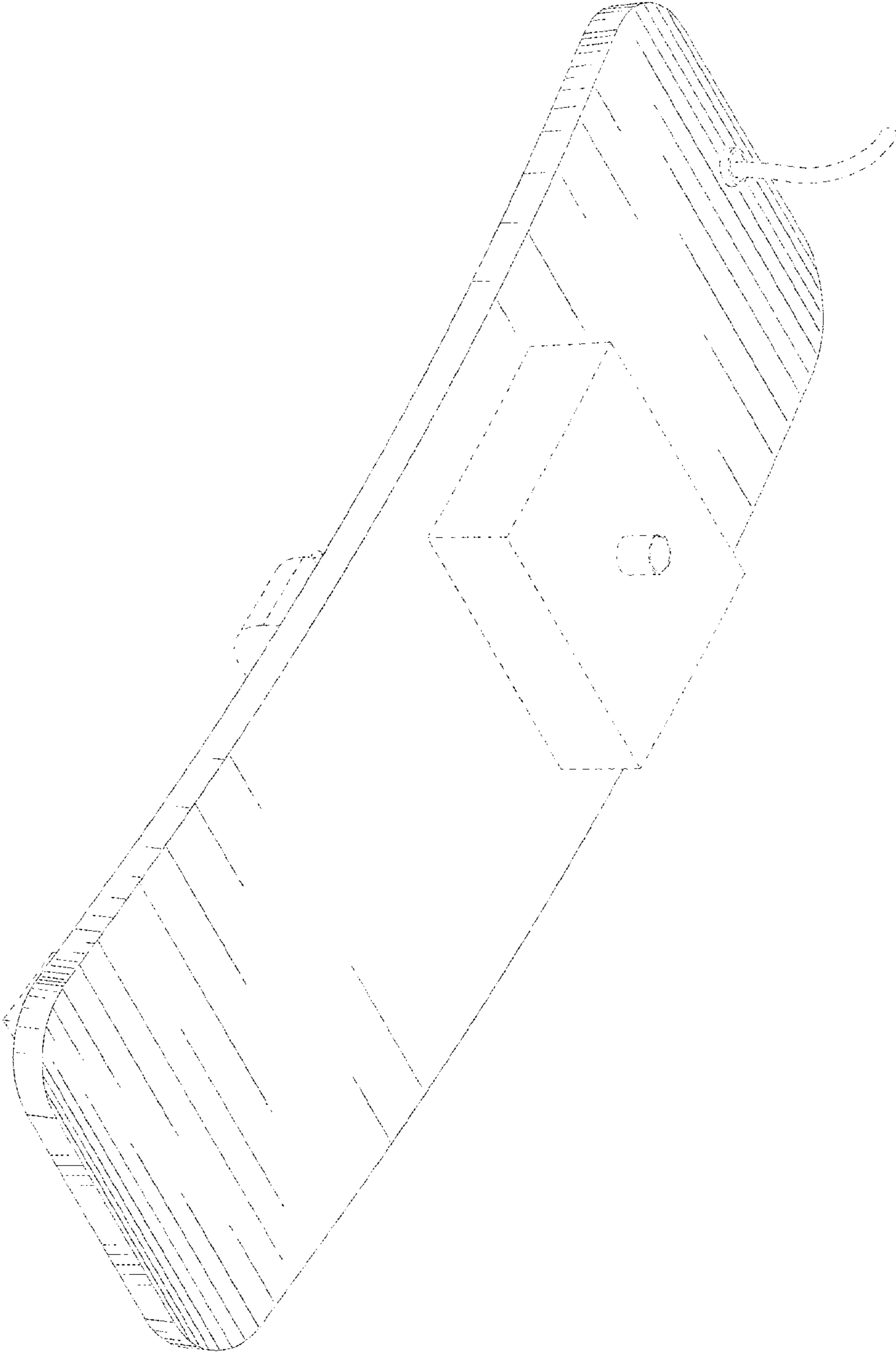


FIG. 2

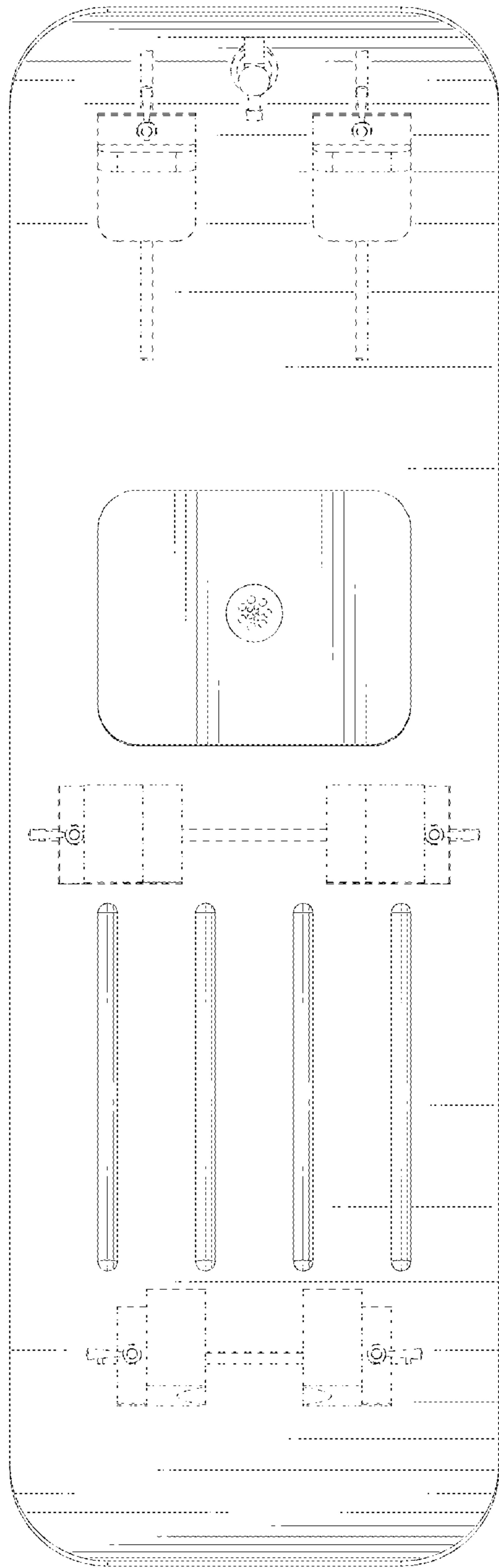


FIG. 3

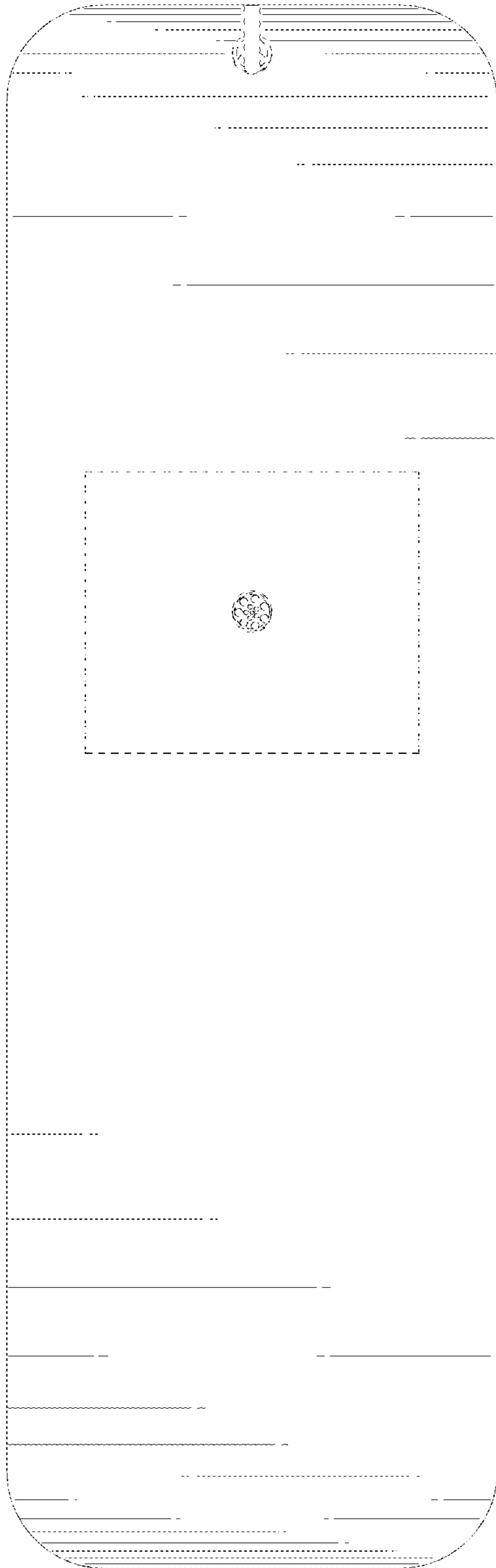


FIG. 4

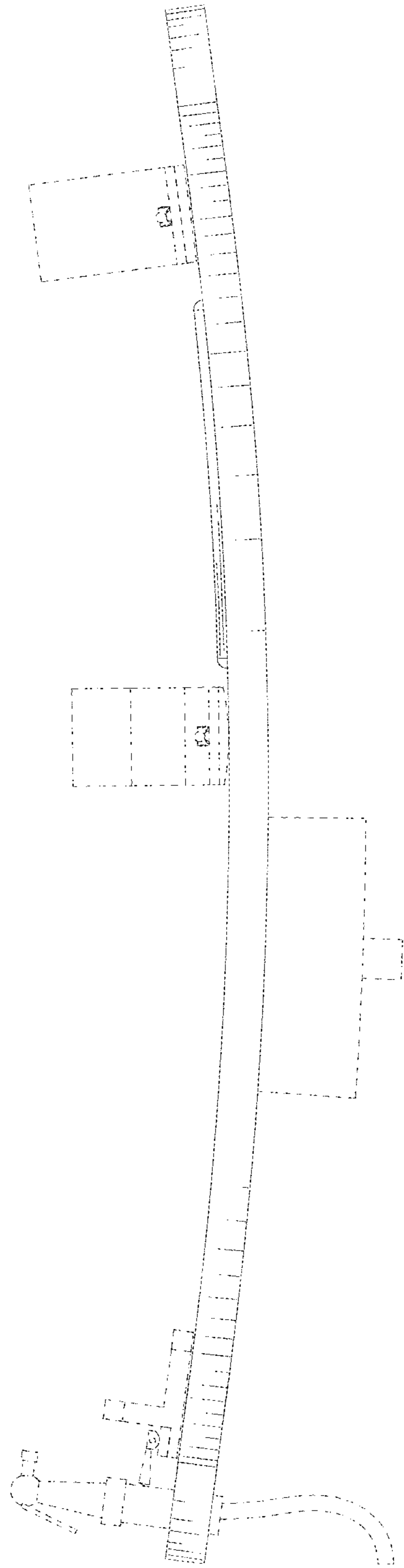


FIG. 5

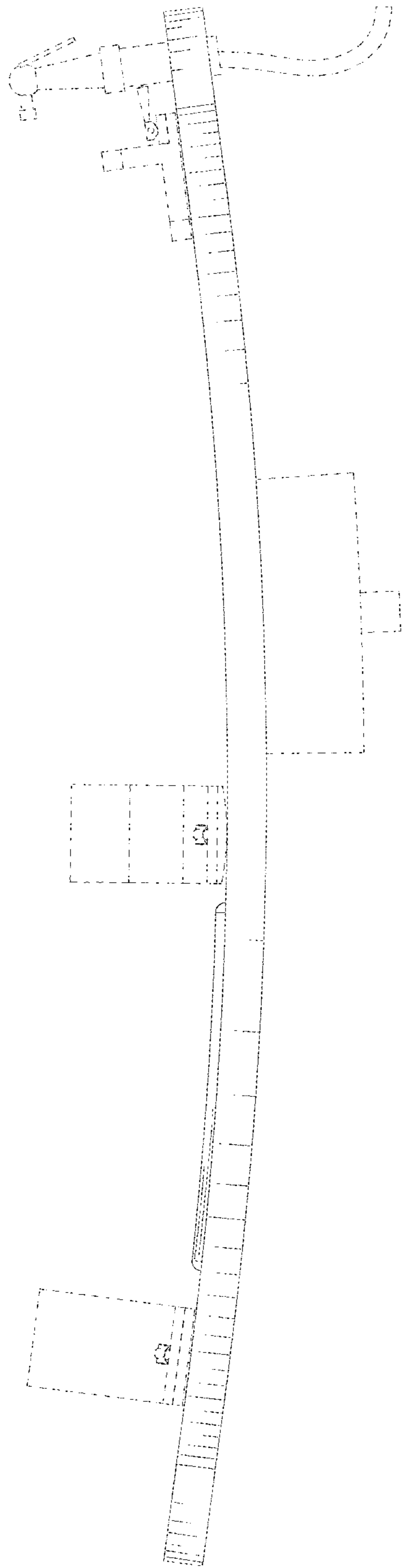


FIG. 6

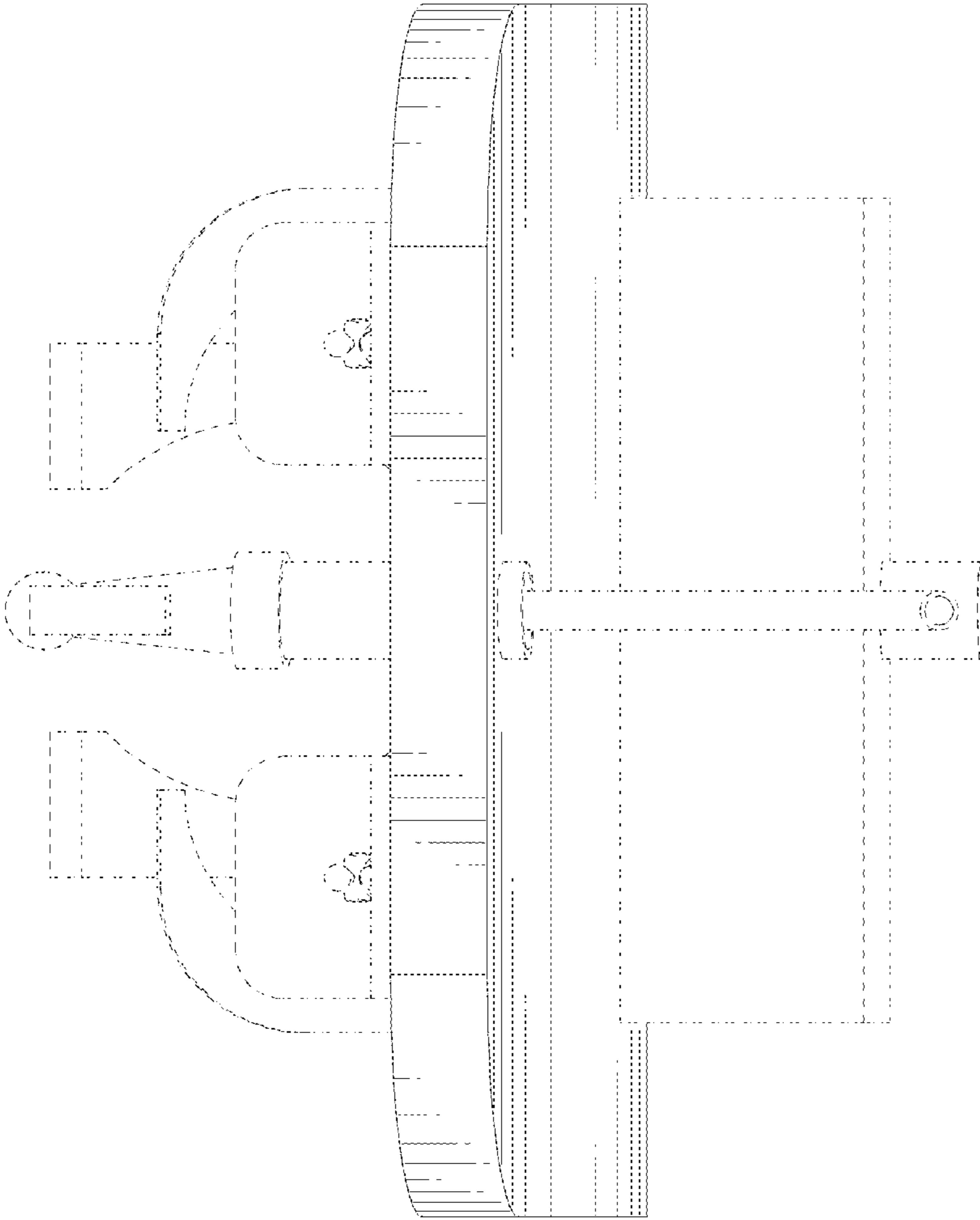


FIG. 7



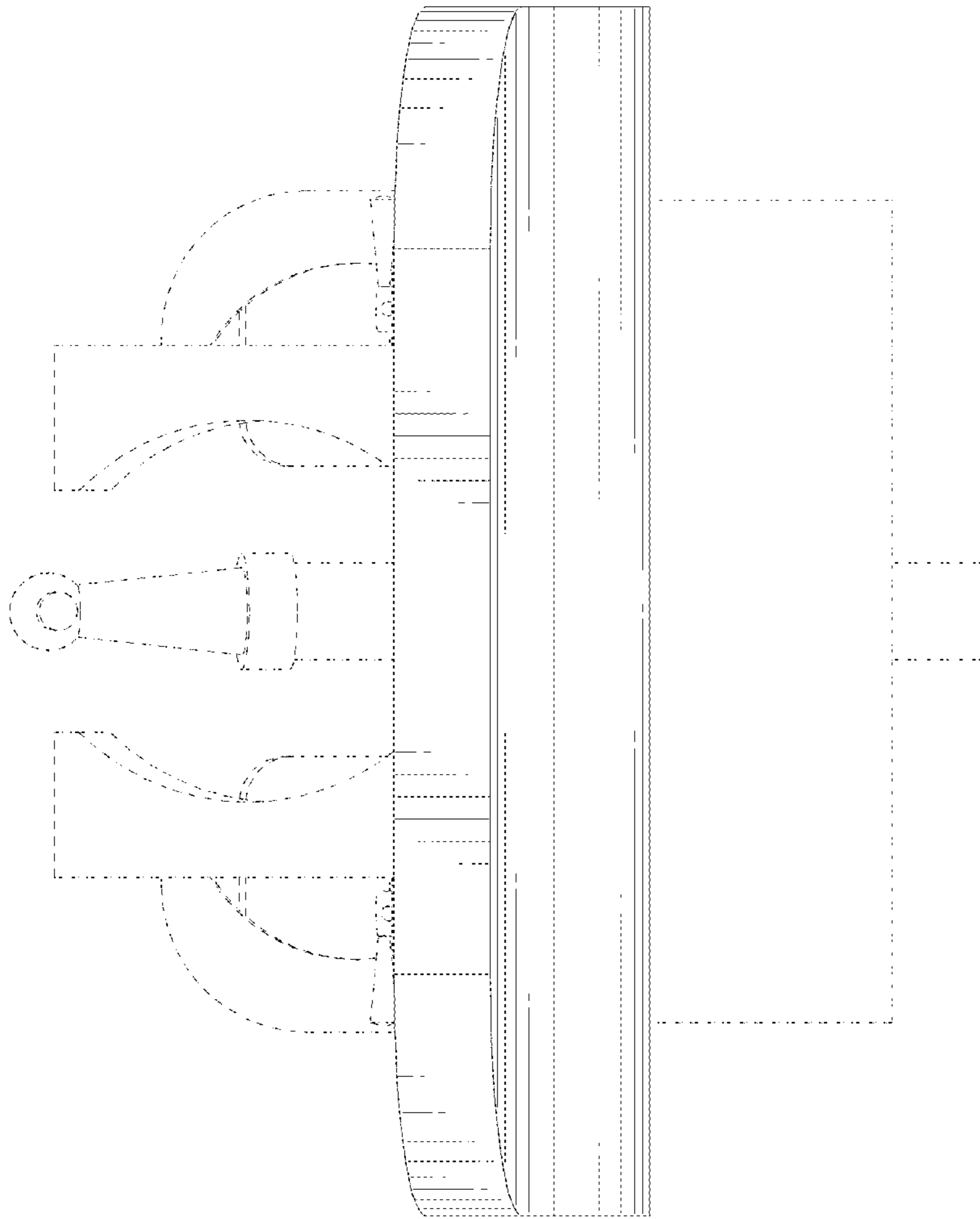


FIG. 8