



US00D905250S

(12) **United States Design Patent** (10) **Patent No.:** **US D905,250 S**  
**Lovell et al.** (45) **Date of Patent:** **\*\* Dec. 15, 2020**

(54) **CONNECTOR FOR AN ELECTRODE ARRAY**

D599,800 S \* 9/2009 Klein ..... D14/433  
7,628,761 B2 12/2009 Gozani et al.  
D686,328 S \* 7/2013 Wung ..... D24/186  
(Continued)

(71) Applicant: **BLINK DEVICE, LLC**, Seattle, WA (US)

(72) Inventors: **Matthew Lovell**, Seattle, WA (US);  
**Justin Hulvershorn**, Seattle, WA (US);  
**Karl Schmidt**, Seattle, WA (US)

**FOREIGN PATENT DOCUMENTS**

CN 201830707628.4 \* 12/2018  
EM 005236148-0001 4/2018  
(Continued)

(73) Assignee: **BLINK DEVICE, LLC**, Seattle, WA (US)

**OTHER PUBLICATIONS**

(\*\*) Term: **15 Years**

English Translation of Japanese Notification, related to Japanese Design Application No. 2018-009384, dated Sep. 4, 2018, 2 pgs.  
(Continued)

(21) Appl. No.: **29/698,988**

(22) Filed: **Jul. 22, 2019**

**Related U.S. Application Data**

(63) Continuation of application No. 29/624,470, filed on Nov. 1, 2017, now Pat. No. Des. 860,465.

*Primary Examiner* — Susan Bennett Hattan  
*Assistant Examiner* — Omeed Agilee  
(74) *Attorney, Agent, or Firm* — Bookoff McAndrews, PLLC

(51) **LOC (12) Cl.** ..... **24-02**  
(52) **U.S. Cl.**  
USPC ..... **D24/187**

(57) **CLAIM**  
We claim the ornamental design for a connector for an electrode array, as shown and described.

(58) **Field of Classification Search**  
USPC ..... D24/107, 168, 186, 187, 189, 200;  
D14/433  
CPC ..... H01R 25/003; G06F 1/305; G06F 1/266  
See application file for complete search history.

**DESCRIPTION**

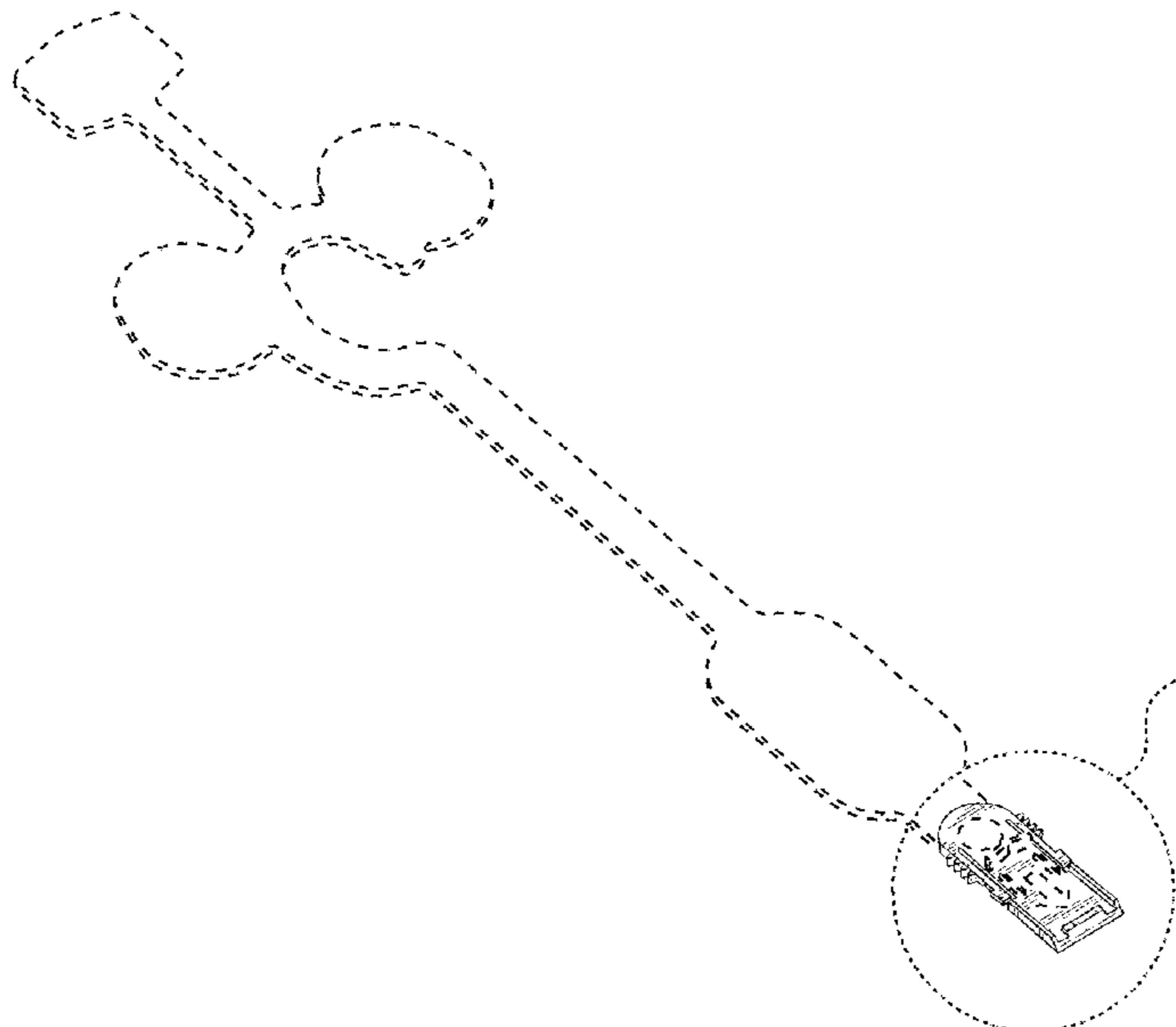
FIG. 1 is a top plan view of a connector for an electrode array showing our new design;  
FIG. 2 is a bottom plan view thereof;  
FIG. 3 is a rear elevation view thereof;  
FIG. 4 is a front elevational view thereof;  
FIG. 5 is a top, front, side perspective view thereof; and,  
FIG. 6 is a close-up, partial, perspective view thereof.  
The broken lines in form of an electrode array depict environmental subject matter and form no part of the claimed design. The broken lines within the connector clip depict portions of the connector for an electrode array that form no part of the claimed design.

(56) **References Cited**

**U.S. PATENT DOCUMENTS**

5,131,401 A 7/1992 Westenskow et al.  
D366,528 S \* 1/1996 Crouse ..... D24/187  
D409,150 S \* 5/1999 Davis ..... D13/147  
D443,063 S 5/2001 Pisani et al.  
6,298,255 B1 10/2001 Cordero et al.  
6,456,872 B1 9/2002 Faisandier  
D501,558 S 2/2005 Chastain et al.  
D505,206 S 5/2005 Chastain et al.

**1 Claim, 5 Drawing Sheets**



(56)

References Cited

U.S. PATENT DOCUMENTS

8,506,502 B2 8/2013 Gilhuly  
 D702,356 S 4/2014 Vosch et al.  
 D702,357 S 4/2014 Vosch et al.  
 D718,458 S 11/2014 Vosch et al.  
 D719,660 S 12/2014 Vosch et al.  
 D728,801 S 5/2015 Machon et al.  
 D757,952 S 5/2016 Wiebenga et al.  
 D761,436 S 7/2016 Fogarty et al.  
 D764,672 S 8/2016 Vosch et al.  
 D773,672 S 12/2016 Machon et al.  
 D790,069 S 6/2017 Wong et al.  
 D800,321 S 10/2017 Roche  
 D800,731 S \* 10/2017 He ..... D14/433  
 9,814,402 B2 11/2017 Gadsby  
 D809,663 S 2/2018 Nachum  
 D821,587 S 6/2018 Vosch et al.  
 D821,588 S 6/2018 Vosch et al.  
 D824,909 S \* 8/2018 Namala ..... D14/433  
 D832,263 S \* 10/2018 Chen ..... D14/433  
 D832,849 S \* 11/2018 Kim ..... D14/433  
 D833,445 S \* 11/2018 Xie ..... D14/433  
 D860,465 S \* 9/2019 Lovell ..... D24/187  
 D862,709 S \* 10/2019 Besko ..... D24/187

D867,367 S \* 11/2019 Wang ..... D14/433  
 2013/0204155 A1 8/2013 Brull et al.  
 2014/0012157 A1 1/2014 Gilhuly  
 2014/0107524 A1 4/2014 Brull et al.  
 2014/0235991 A1 8/2014 Gadsby  
 2019/0223764 A1 7/2019 Hulvershorn et al.

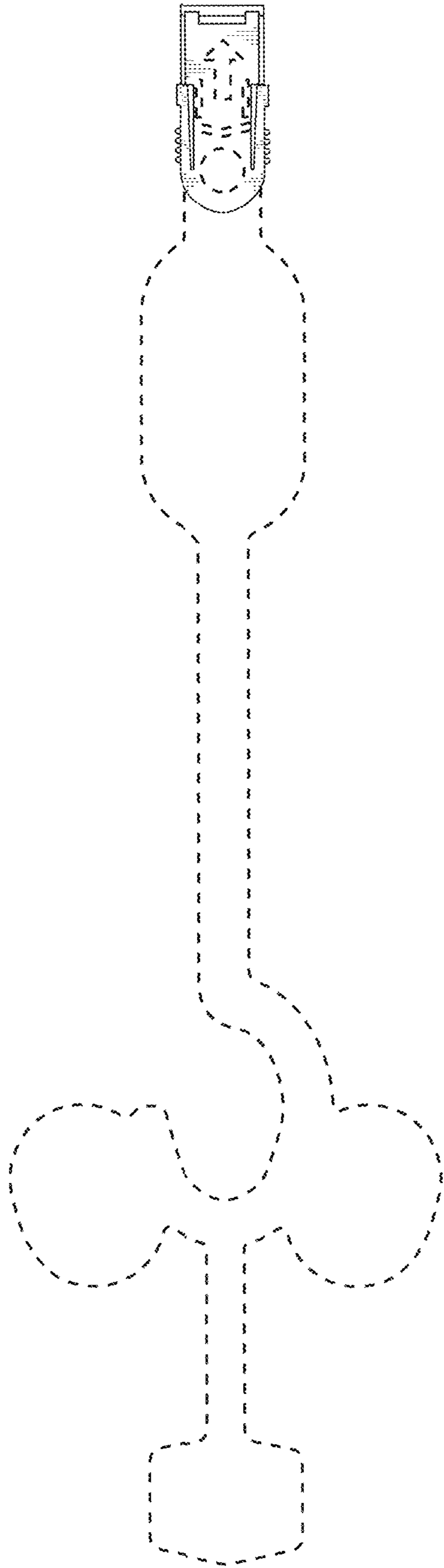
FOREIGN PATENT DOCUMENTS

KR 30-0854469 5/2016  
 KR 30-0904466 4/2017  
 KR 30-0910972 6/2017

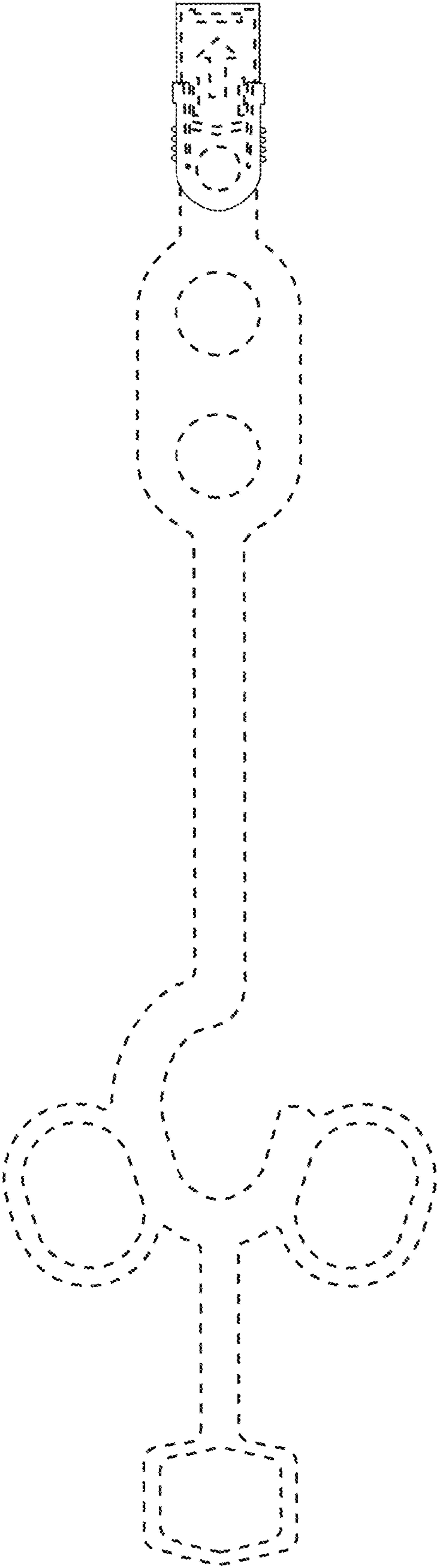
OTHER PUBLICATIONS

Japanese Notification, related to Japanese Design Application No. 2018-009384, dated Sep. 4, 2018, 2 pgs.  
 Biro et al. "Proposal for a Revised Classification of the Depth of Neuromuscular Block and Suggestions for Further Development in Neuromuscular Monitoring," Anesthesia & Analgesia, International Anesthesia Research Society, 2019 (3 pages).  
 Justin W. Hulvershorn, MD, PhD "Toward an Ideal Neuromuscular Monitor," Letters to the Editor, Anesthesia & Analgesia, International Anesthesia Research Society, May 13, 2019 (2 pages).

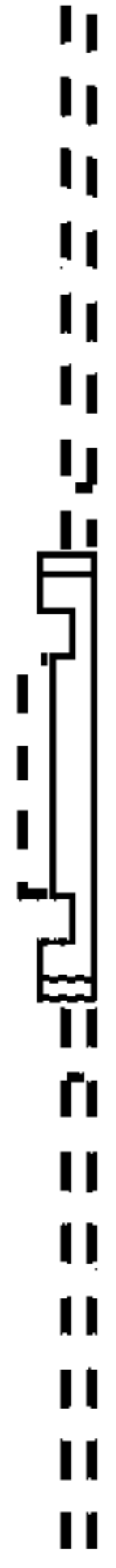
\* cited by examiner



**FIG. 1**



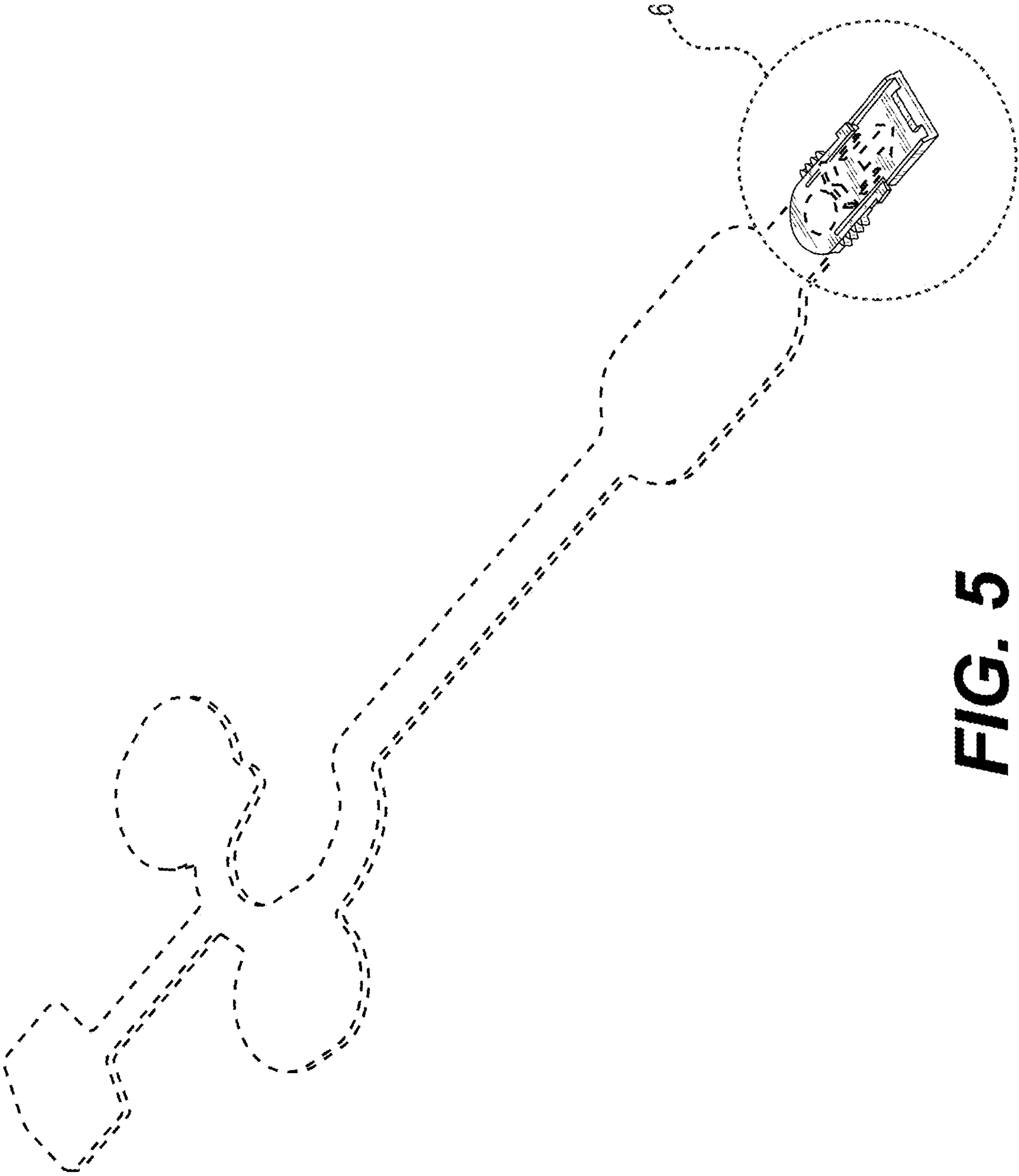
**FIG. 2**



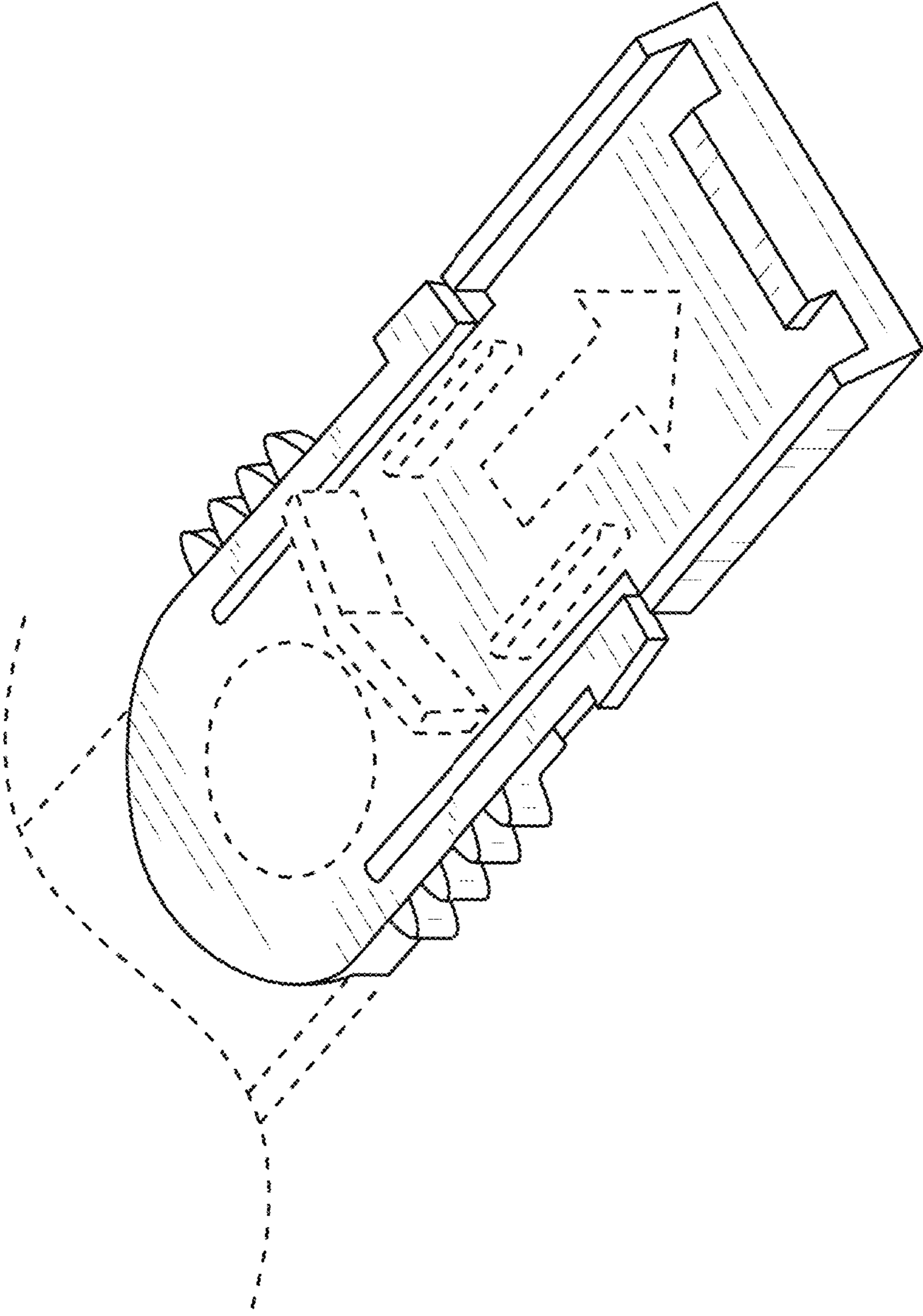
**FIG. 3**



**FIG. 4**



**FIG. 5**



**FIG. 6**