



US00D905248S

(12) **United States Design Patent** (10) **Patent No.:** **US D905,248 S**
Williamson et al. (45) **Date of Patent:** **** Dec. 15, 2020**

(54) **PORTION OF ANALYSIS UNIT**

FOREIGN PATENT DOCUMENTS

(71) Applicant: **Illumina, Inc.**, San Diego, CA (US)
(72) Inventors: **Erik Lewis Williamson**, Carlsbad, CA (US); **Anna Skaro Quackenbush**, Poway, CA (US); **Tricia Nguyen Lewis**, San Diego, CA (US); **Lea Sandra Kobeli**, San Francisco, CA (US); **Edward Wilson Licitra**, San Francisco, CA (US)

JP D1344389 11/2008
JP D1579840 6/2017
TW D187235 12/2017

OTHER PUBLICATIONS

Taiwan Office Action dated Apr. 4, 2018, issued in Taiwan Patent Application No. 106303764.

(Continued)

Primary Examiner — Rhea Shields

(73) Assignee: **Illumina, Inc.**, San Diego, CA (US)

(74) *Attorney, Agent, or Firm* — Weaver Austin Villeneuve & Sampson LLP

(**) Term: **15 Years**

(57) **CLAIM**

(21) Appl. No.: **29/589,976**

We claim the ornamental design for a portion of an analysis unit, as shown and described.

(22) Filed: **Jan. 5, 2017**

DESCRIPTION

(51) **LOC (12) Cl.** **24-02**

(52) **U.S. Cl.**
USPC **D24/185**

(58) **Field of Classification Search**
USPC D24/185, 216, 232, 233, 169; D10/81
CPC G16H 40/63; G01N 21/6456; G06F 1/163;
A61B 50/13; A61G 12/001
See application file for complete search history.

FIG. 1 is an isometric view of a portion of an analysis unit. FIG. 2 is a right side view thereof. FIG. 3 is a left side view thereof. FIG. 4 is a top view thereof. FIG. 5 is a rear view thereof; and, FIG. 6 is a front view thereof.

A portion of an analysis unit in the accompanying figures may be used in sequencing operations and may be configured to receive one or more cartridges for use in such operations.

Stipple shading is used in the accompanying FIGS. 1-6 to convey surface contouring and is not indicative of any particular texture or coloring.

In the drawings, the evenly spaced broken lines are for illustrating portions of a portion of an analysis unit which form no part of the claimed design. The heavy dot-dash-dot broken lines are for the purpose of showing boundaries of the claim and these heavy dot-dash-dot lines form no part of the claimed design.

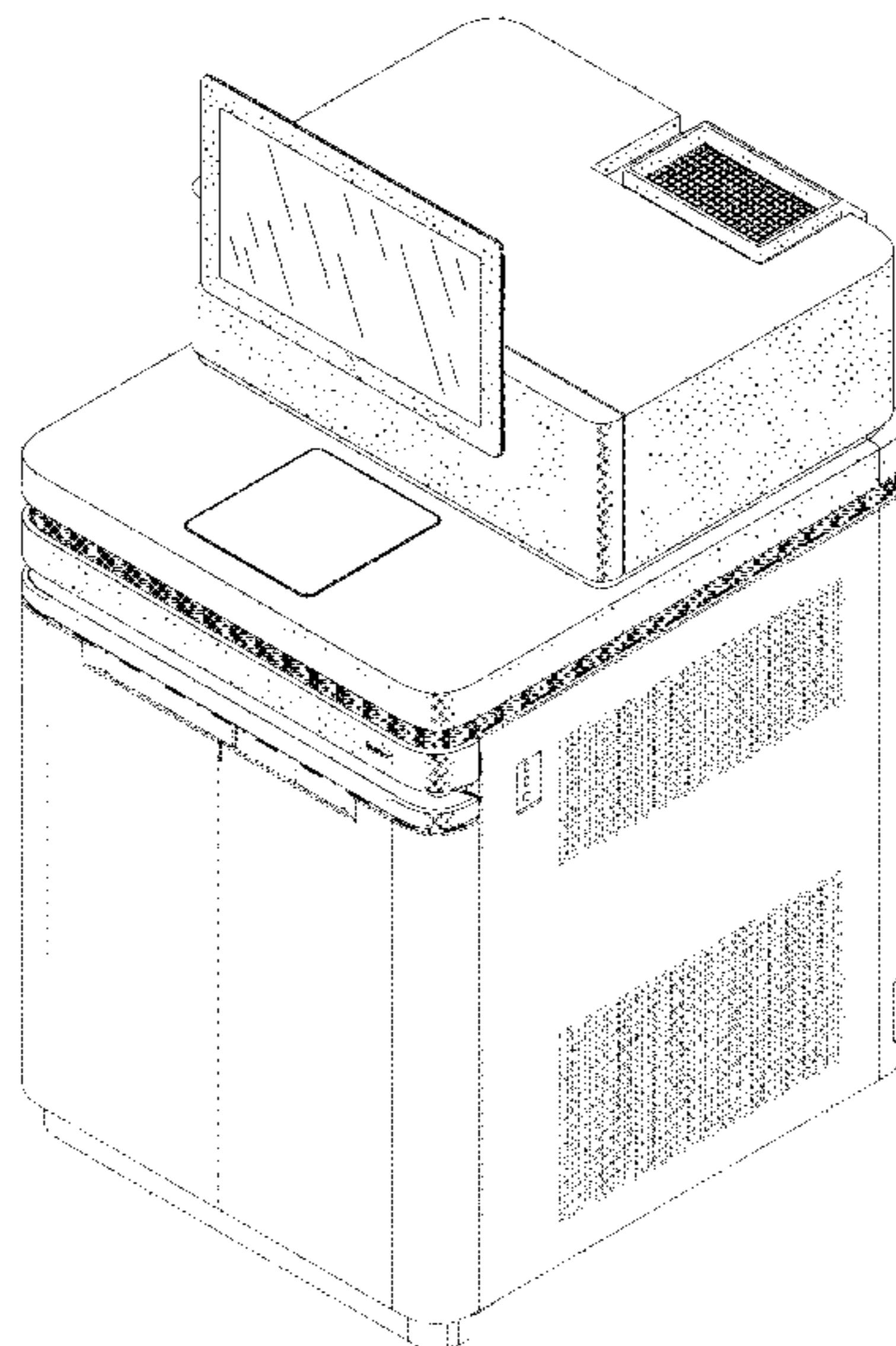
(56) **References Cited**

U.S. PATENT DOCUMENTS

D298,854 S * 12/1988 Kame D24/169
5,314,243 A * 5/1994 McDonald A61G 12/001
312/215
5,536,084 A * 7/1996 Curtis A61B 50/13
700/240
5,765,842 A * 6/1998 Phaneuf B62B 3/001
280/43.17
D406,894 S * 3/1999 Menhennett D24/169
6,022,088 A * 2/2000 Metzler G16H 40/63
312/209

(Continued)

1 Claim, 6 Drawing Sheets



(56)

References Cited

U.S. PATENT DOCUMENTS

6,654,378 B1 * 11/2003 Mahany G06F 1/163
370/401
D568,481 S * 5/2008 Martinson D24/185
7,849,859 B2 * 12/2010 Bochner A61G 12/001
128/845
D687,561 S * 8/2013 Iseki D24/216
D693,019 S * 11/2013 Isozaki D24/216
D721,820 S * 1/2015 Oonuma D24/216
D729,405 S * 5/2015 Ramstad D24/233
D782,690 S * 3/2017 Kurihara D24/216
D788,617 S * 6/2017 Barton D10/81
D794,211 S * 8/2017 Ang D24/232
D802,785 S * 11/2017 Barton D24/216
9,958,465 B2 * 5/2018 Ang G01N 21/6456
D848,020 S * 5/2019 Kobeli D24/216

OTHER PUBLICATIONS

U.S. Appl. No. 29/589,975, filed Jan. 5, 2017, Williamson, et al.

* cited by examiner

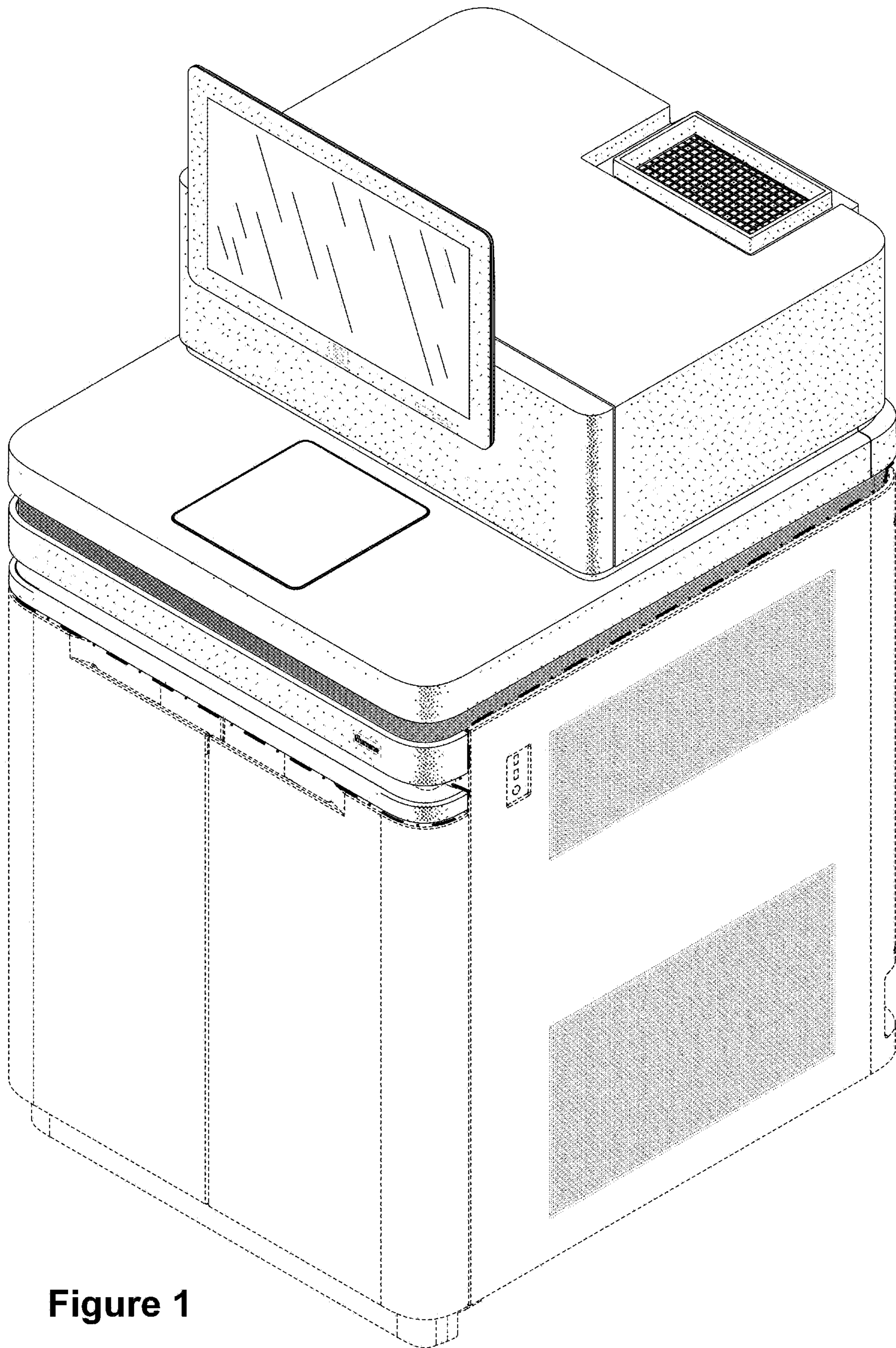


Figure 1

Figure 2

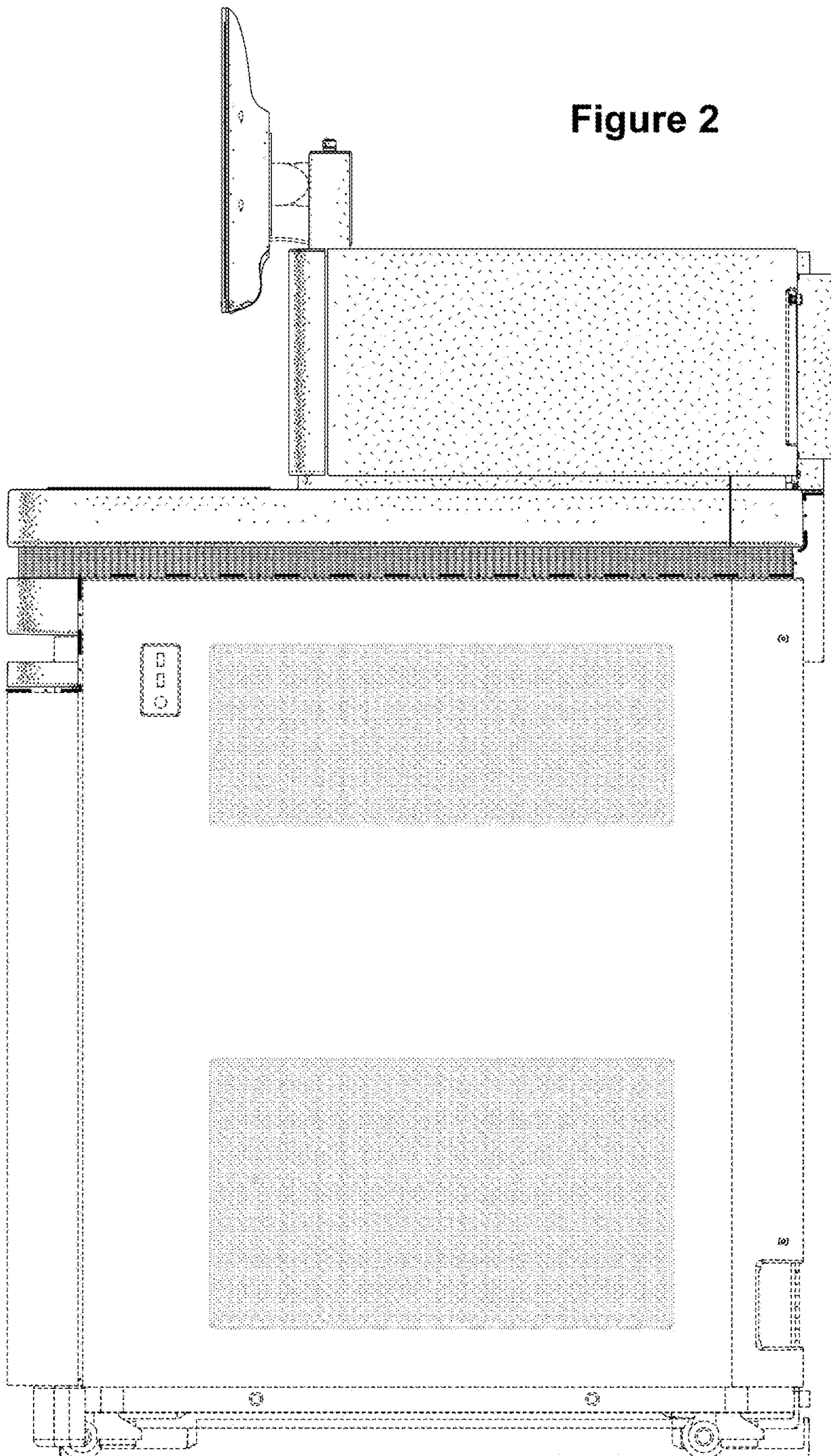
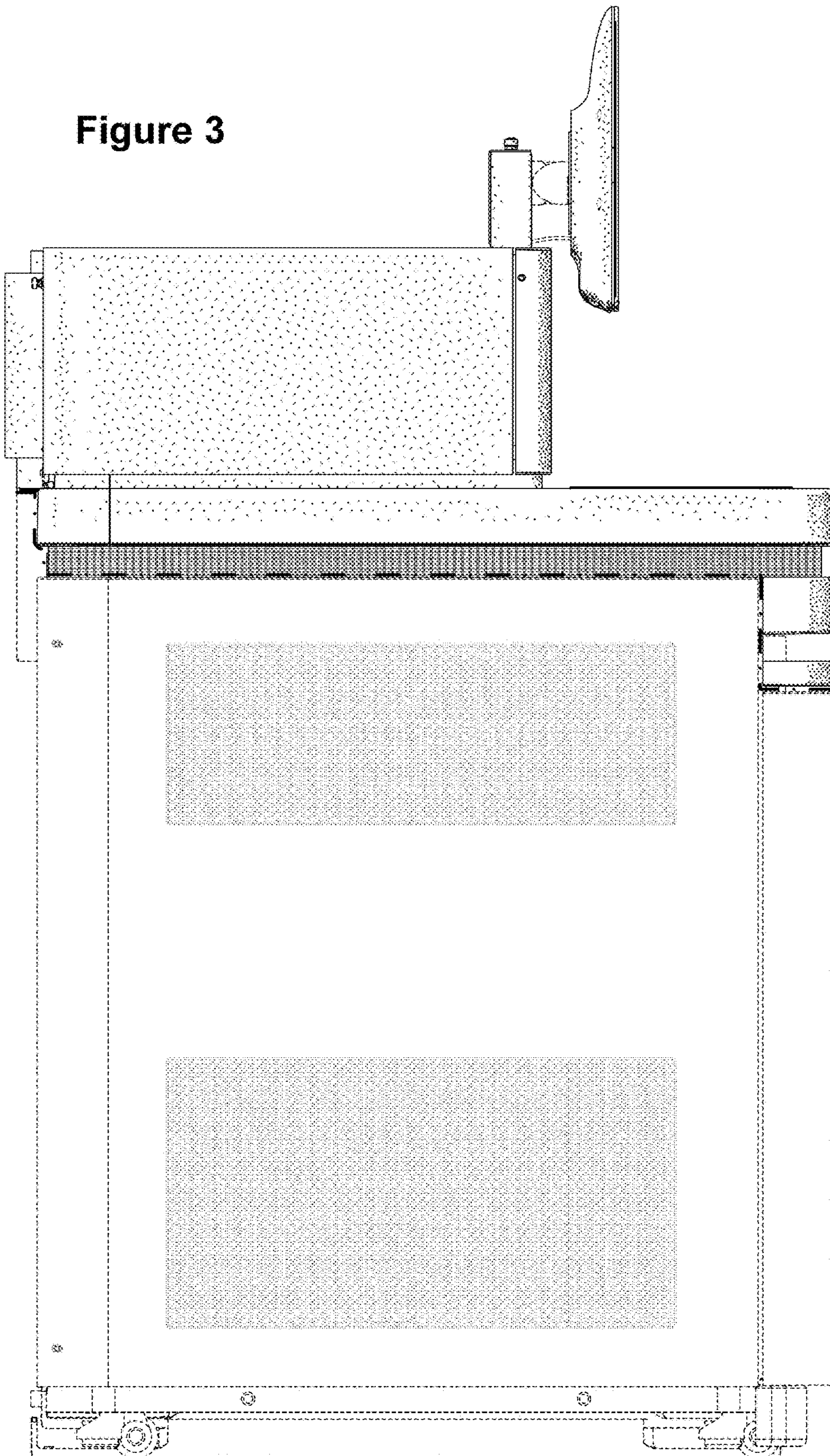


Figure 3



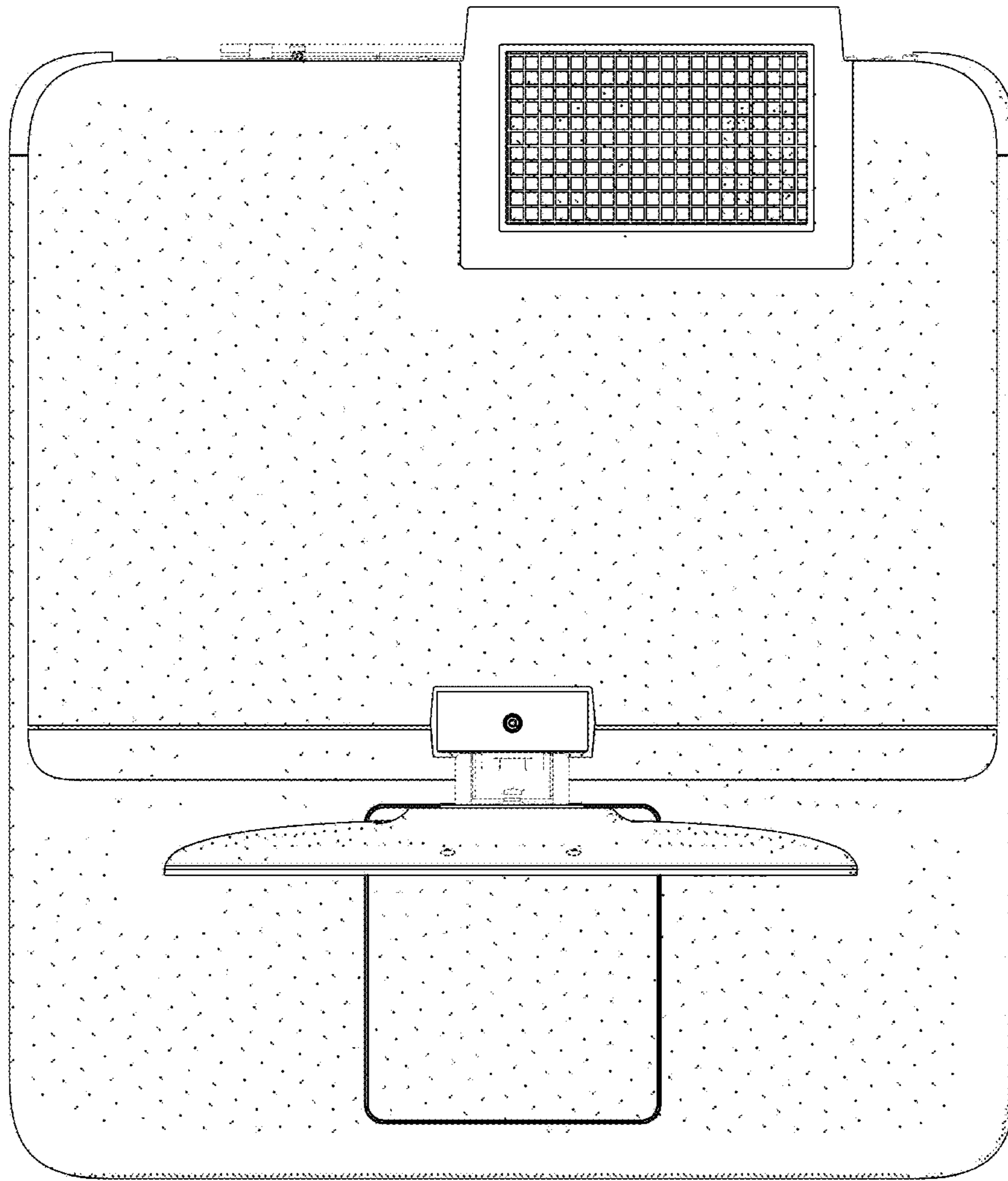


Figure 4

Figure 5

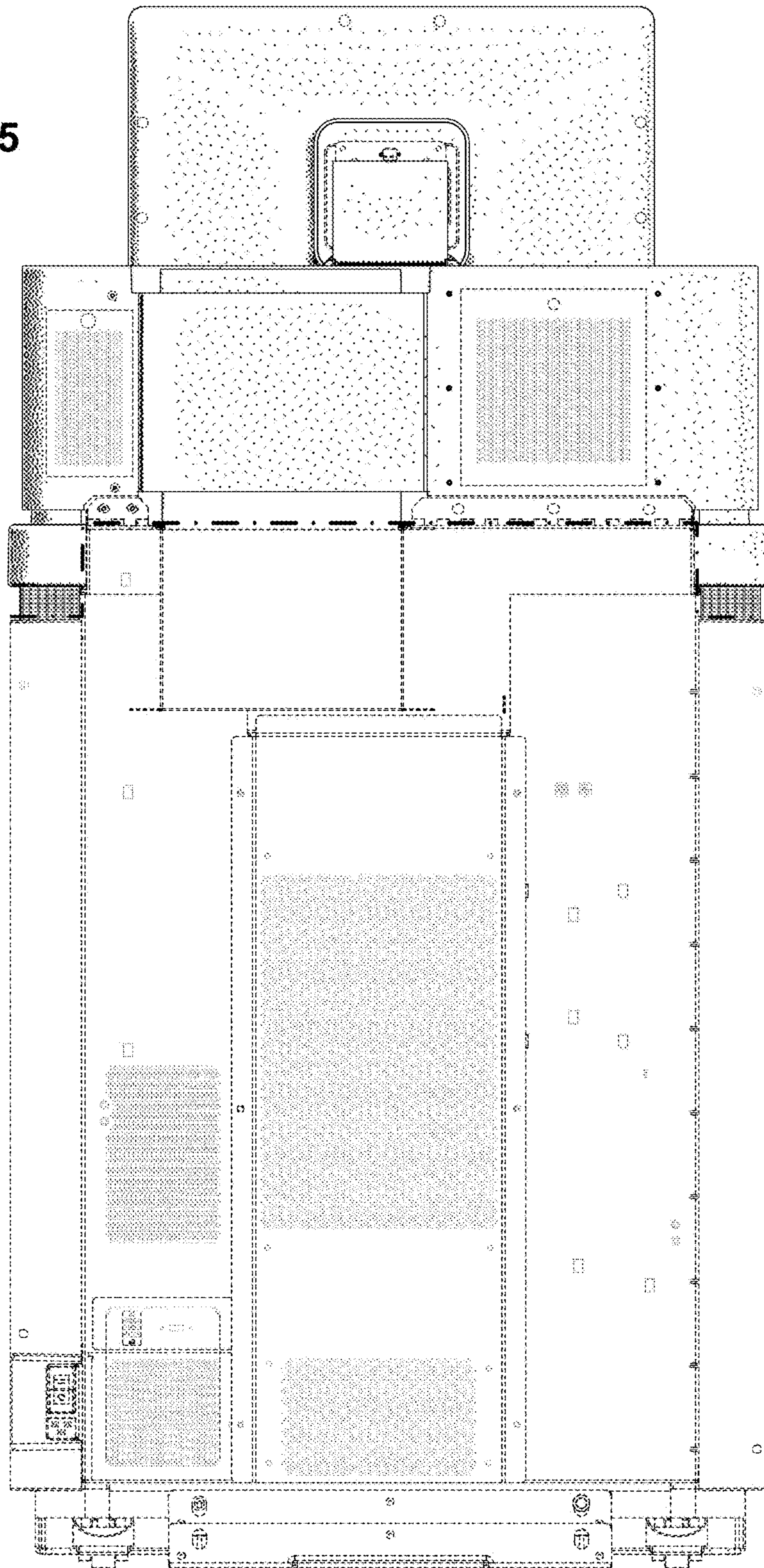


Figure 6

