



US00D905247S

(12) **United States Design Patent**
Düppuis

(10) **Patent No.:** **US D905,247 S**

(45) **Date of Patent:** **** Dec. 15, 2020**

- (54) **SURGICAL INSTRUMENT**
- (71) Applicant: **Erbe Elektromedizin GmbH**,
Tübingen (DE)
- (72) Inventor: **Martina Düppuis**, Pliezhausen (DE)
- (73) Assignee: **Erbe Elektromedizin GmbH**,
Tübingen (DE)
- (**) Term: **15 Years**
- (21) Appl. No.: **29/667,720**
- (22) Filed: **Oct. 24, 2018**
- (30) **Foreign Application Priority Data**
May 4, 2018 (EM) 005257284
- (51) **LOC (12) Cl.** **24-02**
- (52) **U.S. Cl.**
USPC **D24/170**
- (58) **Field of Classification Search**
USPC D24/170, 187, 138, 133, 144, 146, 130
CPC A61B 18/1477; A61B 18/1402; A61B
18/042; A61B 18/08; A61M 31/00
See application file for complete search history.

- (56) **References Cited**
U.S. PATENT DOCUMENTS
D389,915 S * 1/1998 Emerson D24/133
D433,752 S * 11/2000 Saravia D24/144
6,197,026 B1 * 3/2001 Farin A61B 18/042
219/121.5
D536,450 S * 2/2007 Ryan D24/144
D560,803 S * 1/2008 Tasse D24/130
D588,696 S * 3/2009 Mantle D24/144
D638,934 S * 5/2011 Kimmel D24/130

- D649,636 S * 11/2011 Bean D24/133
- 8,235,987 B2 * 8/2012 Craig A61B 18/1402
606/41
- D701,603 S * 3/2014 Tanaka D24/170
- D731,648 S * 6/2015 Rencher D24/144
- D743,546 S * 11/2015 Jayaraj D24/144
- D750,258 S * 2/2016 Crossley D24/170
- D751,707 S * 3/2016 Baron A61B 18/08
D24/144
- D753,301 S * 4/2016 Fiksen D24/144
- D762,854 S * 8/2016 Efinger D24/144
- D795,424 S * 8/2017 Sloss D24/138
- 9,986,984 B2 * 6/2018 Stoddard A61B 18/1477
- D861,610 S * 10/2019 Shepard D13/133
- D865,965 S * 11/2019 Siciliano D24/146
- 10,589,075 B2 * 3/2020 Wills A61M 31/00
- D887,561 S * 6/2020 Cheng D24/187
- D892,323 S * 8/2020 Sloss D24/138
- D892,341 S * 8/2020 Cheng D24/187

* cited by examiner

Primary Examiner — Rhea Shields

(74) *Attorney, Agent, or Firm* — Sunstein LLP

(57) **CLAIM**

The ornamental design for a surgical instrument, as shown and described.

DESCRIPTION

FIG. 1 is a front left perspective view of the surgical instrument.

FIG. 2 is a left view thereof.

FIG. 3 is a right side view thereof.

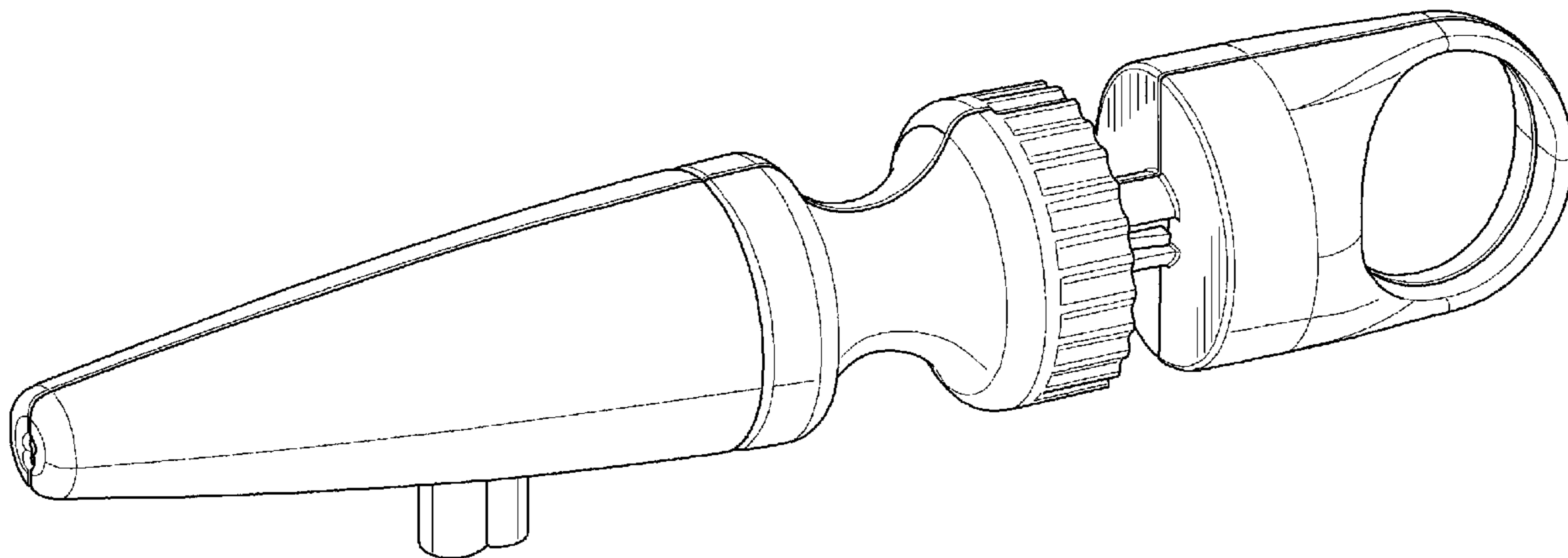
FIG. 4 is a top view thereof.

FIG. 5 is a bottom view thereof.

FIG. 6 is a front view thereof; and,

FIG. 7 is a rear view thereof.

1 Claim, 4 Drawing Sheets



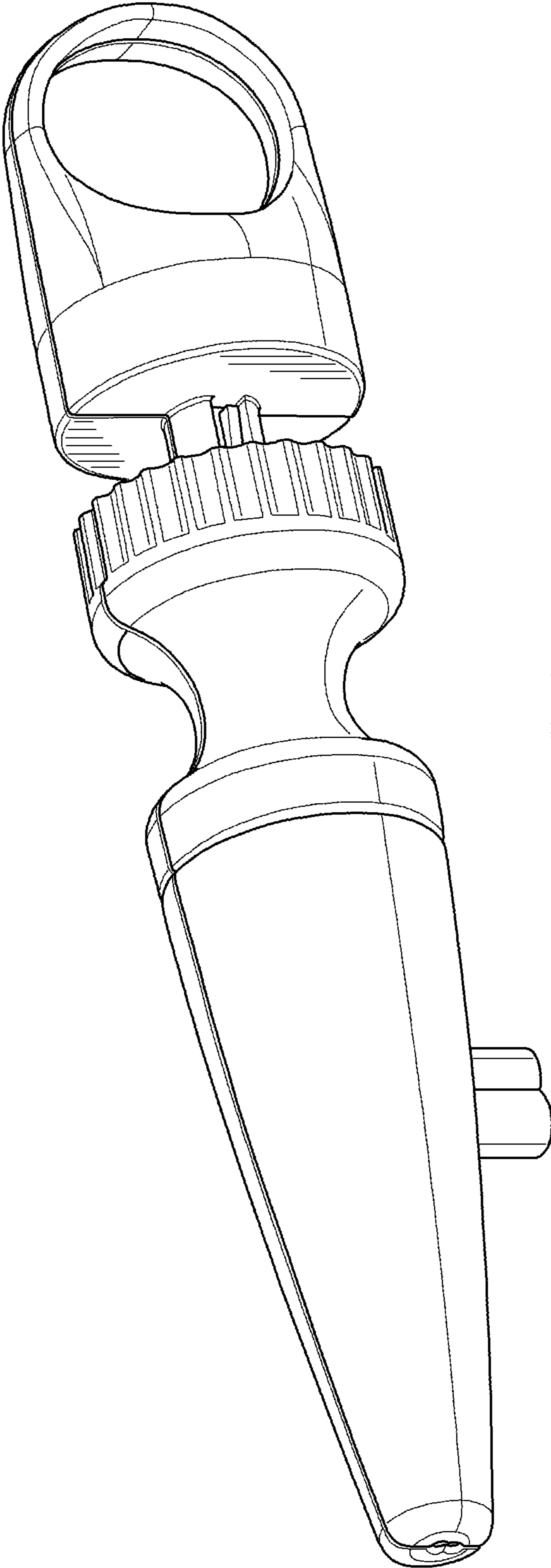


FIG. 1

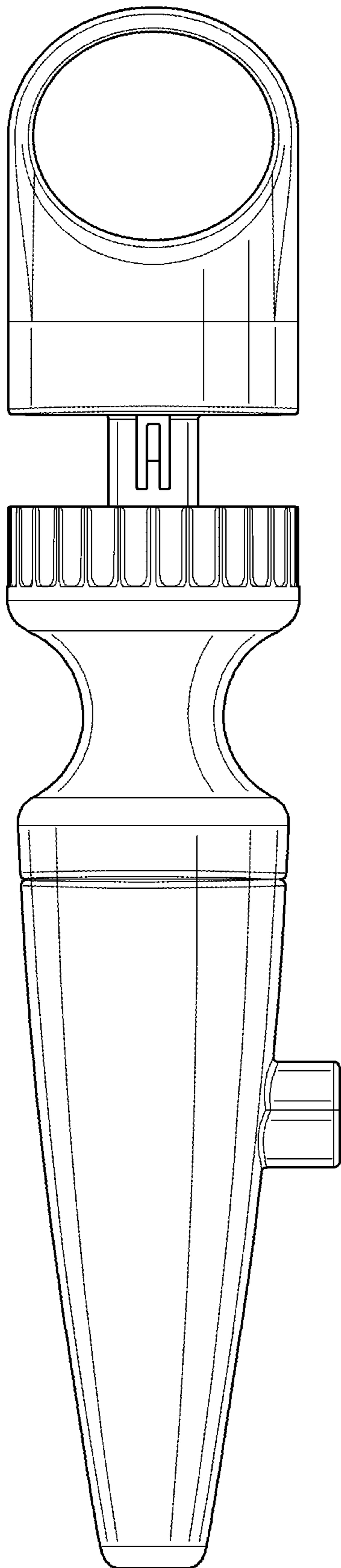


FIG. 2

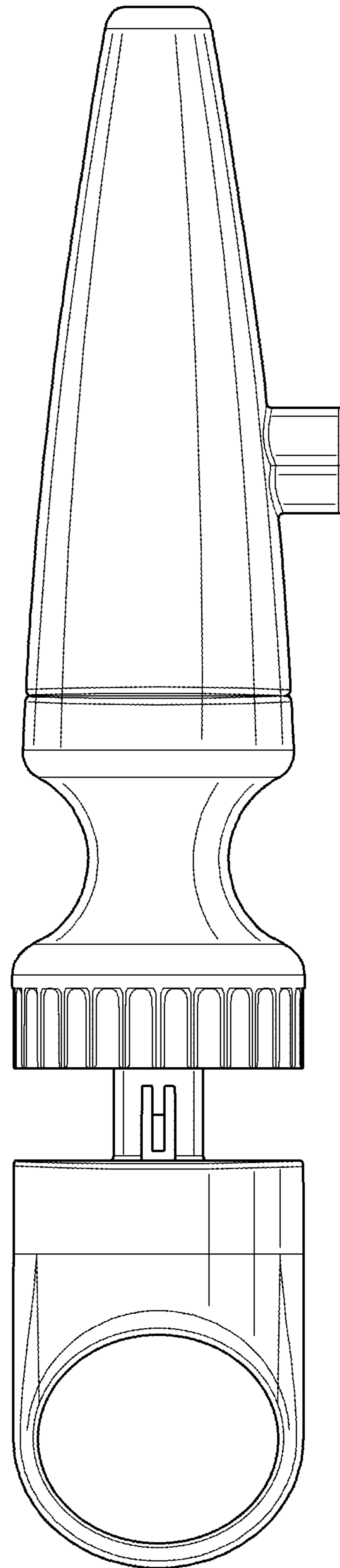


FIG. 3

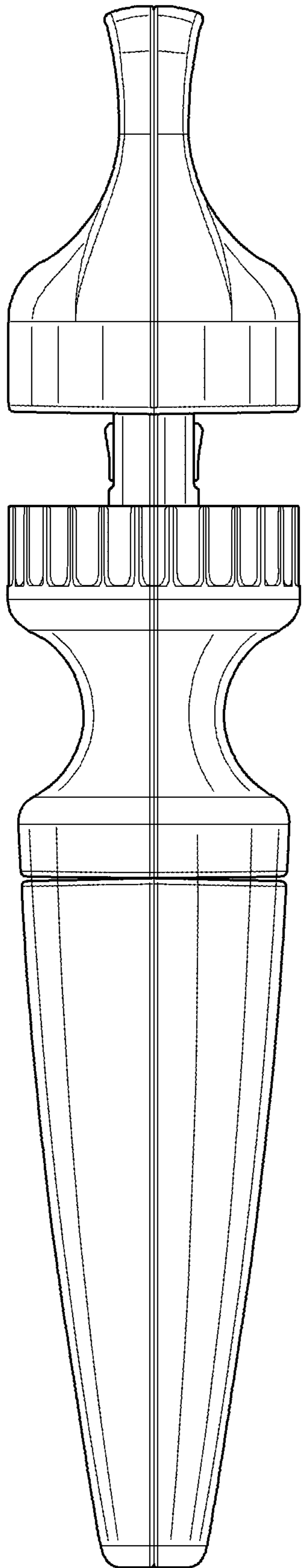


FIG. 4

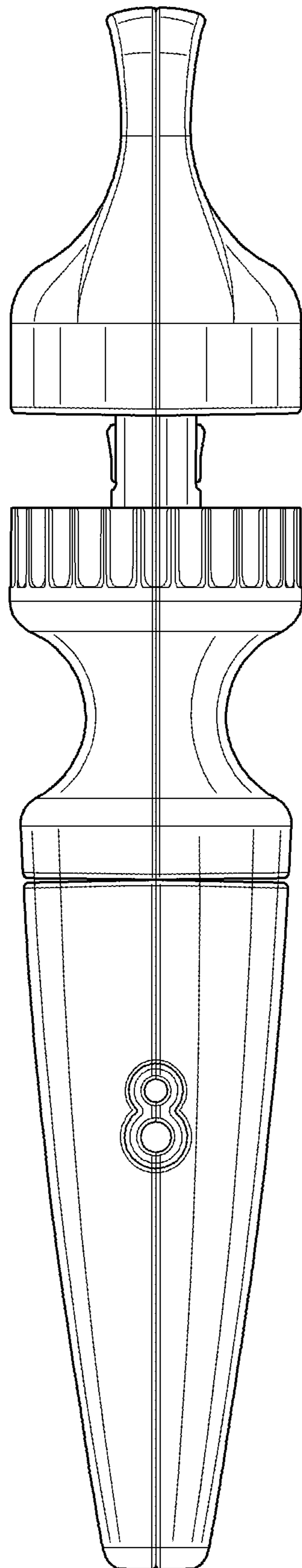


FIG. 5

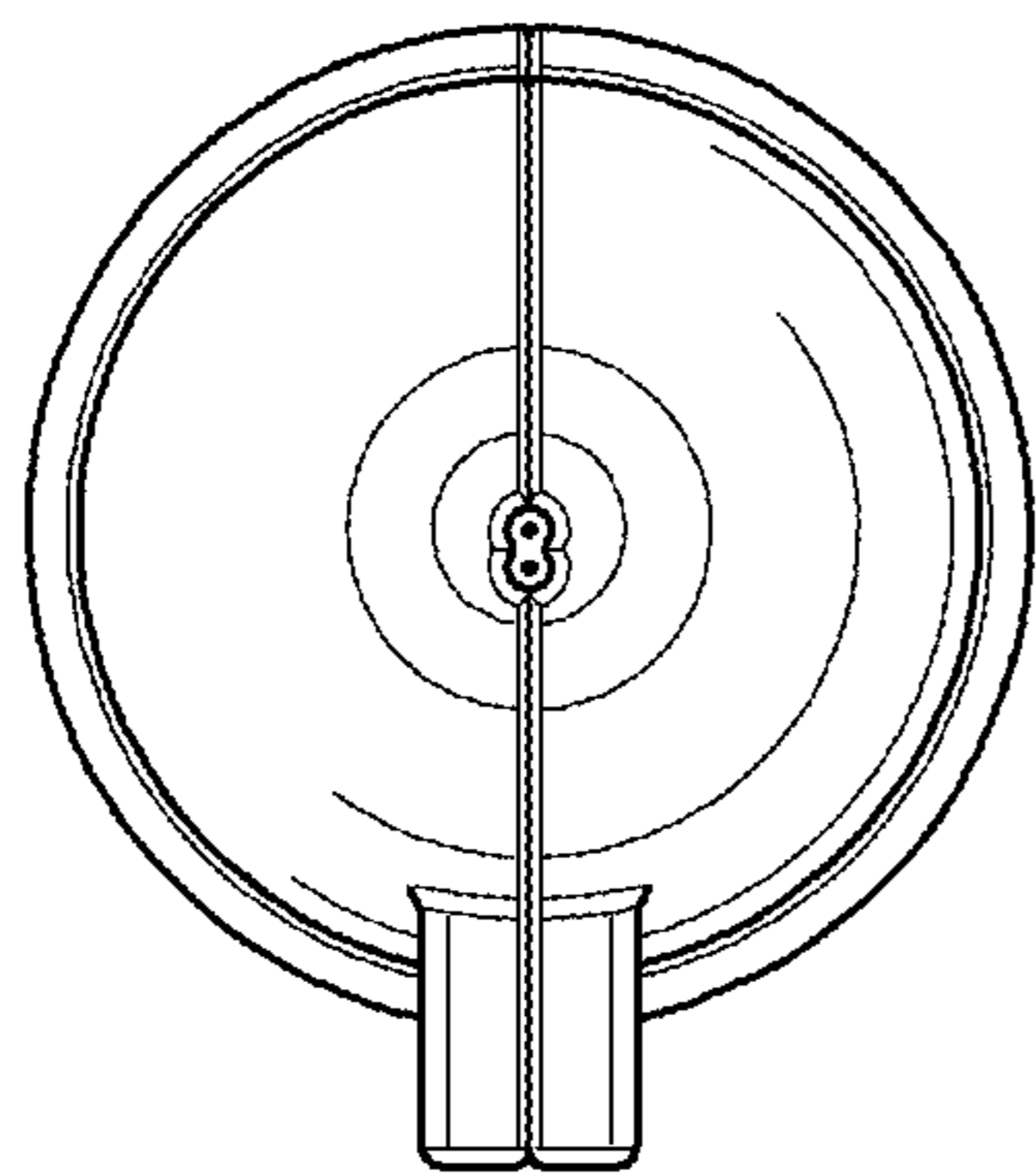


FIG. 6

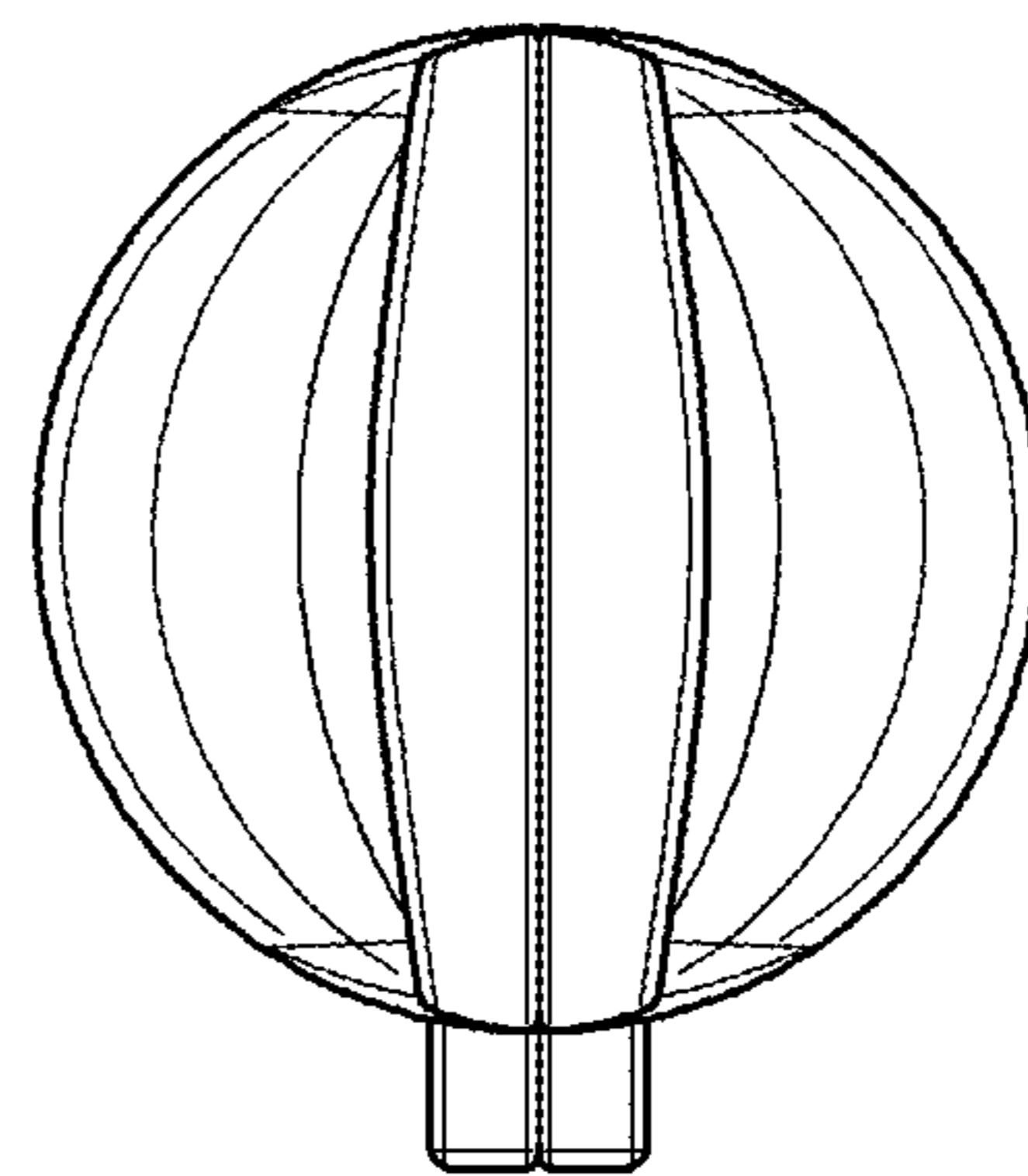


FIG. 7