



US00D905242S

(12) **United States Design Patent**  
**Corbin et al.**

(10) **Patent No.:** **US D905,242 S**

(45) **Date of Patent:** **\*\* Dec. 15, 2020**

(54) **SURGICAL STAPLER**

*Primary Examiner* — Wan Laymon

(71) Applicant: **ETHICON LLC**, Guaynabo, PR (US)

(72) Inventors: **Matthew S. Corbin**, Loveland, OH (US); **Veronica J. Schlegel**, Cincinnati, OH (US); **Nadja K. Briscoe Heller**, Cincinnati, OH (US); **Joshua R. Uth**, Mason, OH (US); **John P. Measamer**, Cincinnati, OH (US)

(57) **CLAIM**

The ornamental design for a surgical stapler, as shown and described.

(73) Assignee: **Ethicon LLC**, Guaynabo, PR (US)

(\*\*) Term: **15 Years**

(21) Appl. No.: **29/647,853**

(22) Filed: **May 16, 2018**

(51) **LOC (12) Cl.** ..... **24-02**

(52) **U.S. Cl.**  
USPC ..... **D24/145**

(58) **Field of Classification Search**  
USPC ..... D24/145; 606/219; 227/175.1, 179.1  
(Continued)

**DESCRIPTION**

FIG. 1 is a perspective view of a first embodiment of a surgical stapler embodying our new design; FIG. 2 is a top view of the surgical stapler of FIG. 1; FIG. 3 is a first side view of the surgical stapler of FIG. 1; FIG. 4 is a bottom view of the surgical stapler of FIG. 1; FIG. 5 is a second side view of the surgical stapler of FIG. 1; FIG. 6 is a front view of the surgical stapler of FIG. 1; FIG. 7 is a back view of the surgical stapler of FIG. 1; FIG. 8 is a perspective view of a second embodiment of a surgical stapler embodying our new design; FIG. 9 is a top view of the surgical stapler of FIG. 8; FIG. 10 is a first side view of the surgical stapler of FIG. 8; FIG. 11 is a bottom view of the surgical stapler of FIG. 8; FIG. 12 is a second side view of the surgical stapler of FIG. 8; FIG. 13 is a front view of the surgical stapler of FIG. 8; FIG. 14 is a back view of the surgical stapler of FIG. 8; FIG. 15 is a perspective view of a third embodiment of a surgical stapler embodying our new design; FIG. 16 is a top view of the surgical stapler of FIG. 15; FIG. 17 is a first side view of the surgical stapler of FIG. 15; FIG. 18 is a bottom view of the surgical stapler of FIG. 15; FIG. 19 is a second side view of the surgical stapler of FIG. 15; FIG. 20 is a front view of the surgical stapler of FIG. 15; and, FIG. 21 is a back view of the surgical stapler of FIG. 15. The broken lines shown herein are included for the purpose of illustrating an environment of the article and form no part of the claimed design.

(56) **References Cited**

**U.S. PATENT DOCUMENTS**

7,168,604 B2 \* 1/2007 Milliman ..... A61B 17/115  
227/175.1  
7,900,806 B2 \* 3/2011 Chen ..... A61B 17/068  
227/175.1

(Continued)

**FOREIGN PATENT DOCUMENTS**

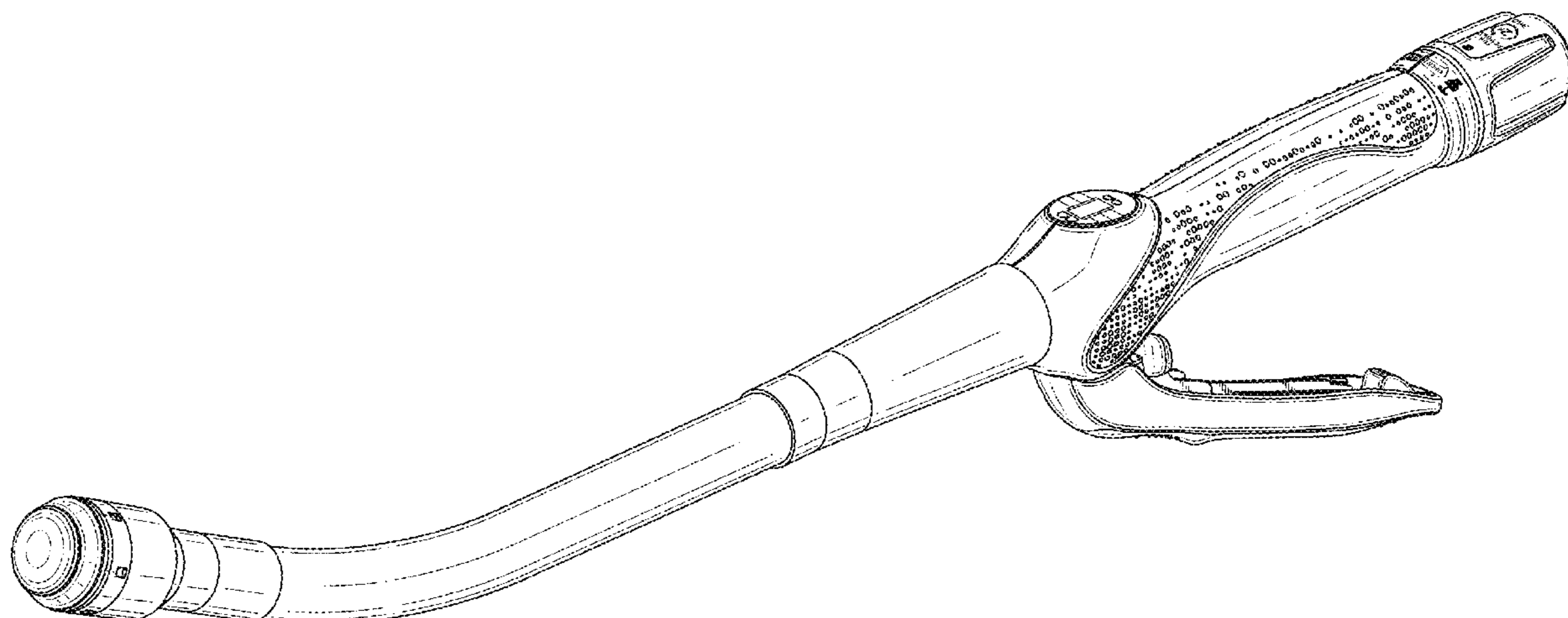
CN 3657881 6/2007  
CN 3657882 6/2007

**OTHER PUBLICATIONS**

Japanese Search Report, dated Sep. 24, 2019, for Design Application 2019-009018 (2 pages).

(Continued)

**1 Claim, 12 Drawing Sheets**



(58) **Field of Classification Search**

CPC ..... A61B 17/064; A61B 17/068; A61B 17/07207; A61B 17/105; A61B 17/115; A61B 17/1155

See application file for complete search history.

(56) **References Cited**

U.S. PATENT DOCUMENTS

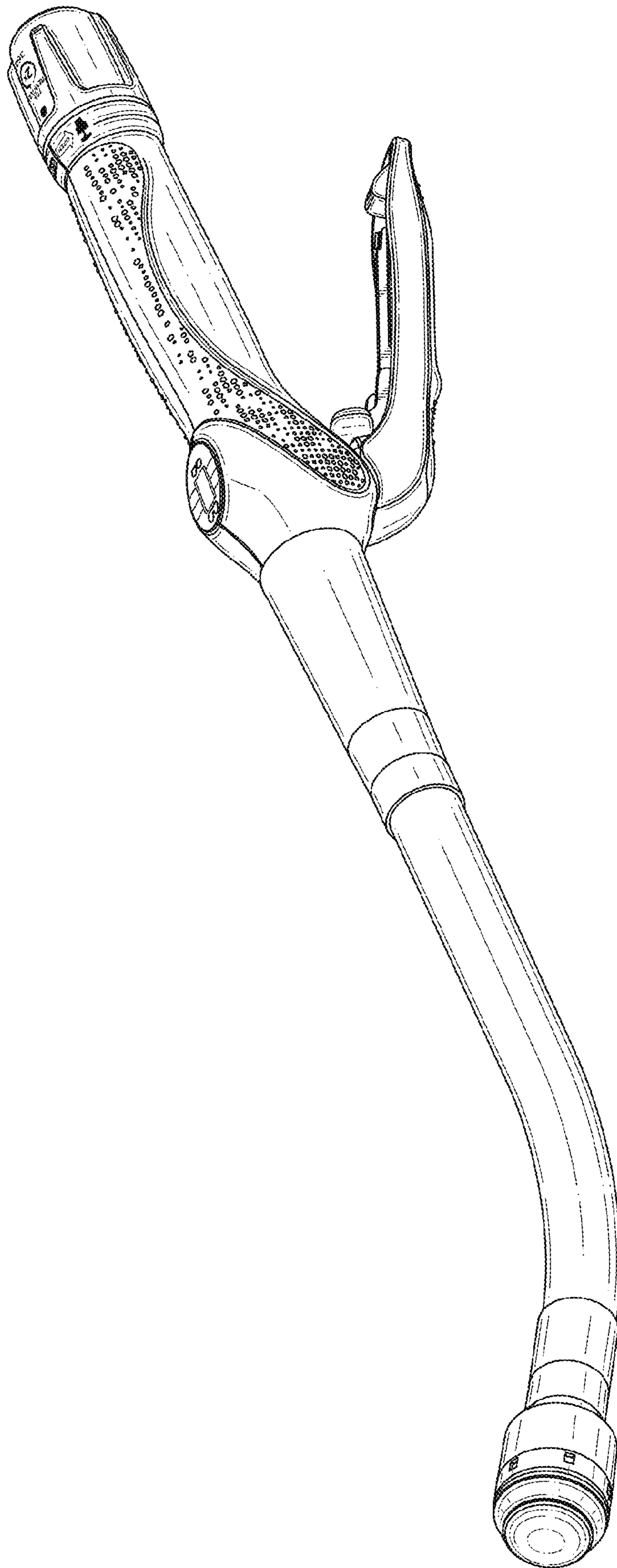
D680,646 S *	4/2013	Hunt	.....	D24/145
D681,202 S *	4/2013	Hunt	.....	D24/145
8,453,906 B2 *	6/2013	Huang	.....	A61B 17/1155 227/175.2
D685,472 S *	7/2013	Hunt	.....	D24/145
9,022,274 B2 *	5/2015	Penna	.....	A61B 17/115 227/175.1
9,445,816 B2 *	9/2016	Swayze	.....	A61B 17/1155
9,572,573 B2 *	2/2017	Scheib	.....	A61B 17/1155
9,597,082 B2 *	3/2017	Stokes	.....	A61B 17/1155
D830,550 S	10/2018	Miller et al.		
D837,373 S *	1/2019	Miller	.....	D24/145
D851,249 S *	6/2019	Fox	.....	D24/145
D893,718 S *	8/2020	Corbin	.....	D24/145
D893,720 S *	8/2020	Corbin	.....	D24/145
2011/0114700 A1 *	5/2011	Baxter, III	.....	A61B 17/1155 227/179.1
2014/0158744 A1 *	6/2014	Patel	.....	A61B 17/115 227/175.1
2014/0158747 A1 *	6/2014	Measamer	.....	A61B 17/1155 227/179.1

OTHER PUBLICATIONS

Japanese Search Report, dated Jan. 7, 2020, for Design Application 2018-024940 (2 pages).  
 Japanese Search Report, dated Jan. 7, 2020, for Design Application 2018-024941 (2 pages).  
 Japanese Search Report, dated Jan. 7, 2020, for Design Application 2018-024942 (1 page).  
 Japanese Search Report, dated Jan. 7, 2020, for Design Application 2018-024947 (2 pages).

Japanese Search Report, dated Jan. 7, 2020, for Design Application 2018-024948 (1 page).  
 Japanese Search Report, dated Jan. 7, 2020, for Design Application 2018-024952 (2 pages).  
 Japanese Search Report, dated Jan. 7, 2020, for Design Application 2019-008893 (2 pages).  
 Japanese Search Report, dated Jan. 7, 2020, for Design Application 2019-008894 (2 pages).  
 Japanese Search Report, dated Jan. 7, 2020, for Design Application 2019-008895 (2 pages).  
 Japanese Search Report, dated Jan. 7, 2020, for Design Application 2019-008896 (2 pages).  
 Japanese Search Report, dated Jan. 7, 2020, for Design Application 2019-008897 (2 pages).  
 Japanese Search Report, dated Jan. 7, 2020, for Design Application 2019-009154 (2 pages).  
 Japanese Search Report, dated Jan. 7, 2020, for Design Application 2019-009155 (2 pages).  
 Japanese Search Report, dated Jan. 7, 2020 for Design Application 2019-009152 (2 pages).  
 Japanese Search Report, dated Jan. 7, 2020, for Design Application 2019-009017 (2 pages).  
 Japanese Search Report, dated Jan. 7, 2020, for Design Application 2019-009019 (2 pages).  
 Japanese Search Report, dated Jan. 7, 2020, for Design Application 2019-008765 (2 pages).  
 Japanese Search Report, dated Jan. 7, 2020, for Design Application 2019-008766 (2 pages).  
 Japanese Search Report, dated Jan. 7, 2019, for Design Application 2019-008767 (2 pages).  
 Japanese Search Report, dated Jan. 7, 2020, for Design Application 2019-008768 (2 pages).  
 Japanese Search Report, dated Jan. 7, 2020, for Design Application 2019-008769 (2 pages).  
 Japanese Search Report, dated Jan. 7, 2020, for Design Application 2019-009014 (2 pages).  
 Japanese Search Report, dated Jan. 7, 2020, for Design Application 2019-009015 (2 pages).

\* cited by examiner



**FIG. 1**



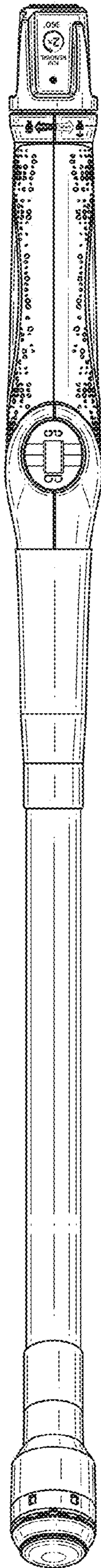


FIG. 2

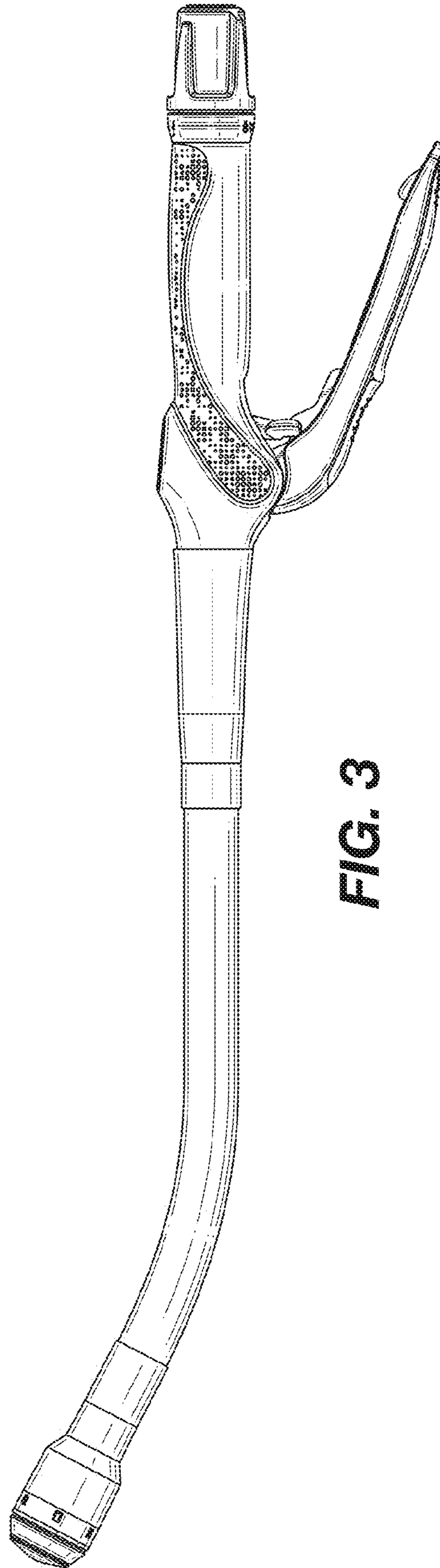
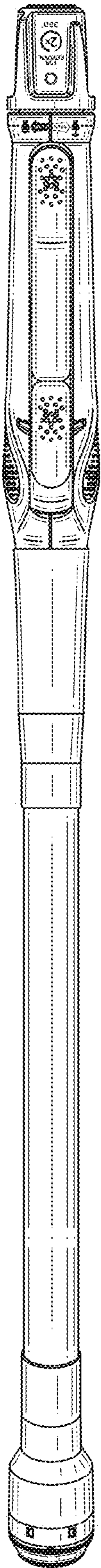
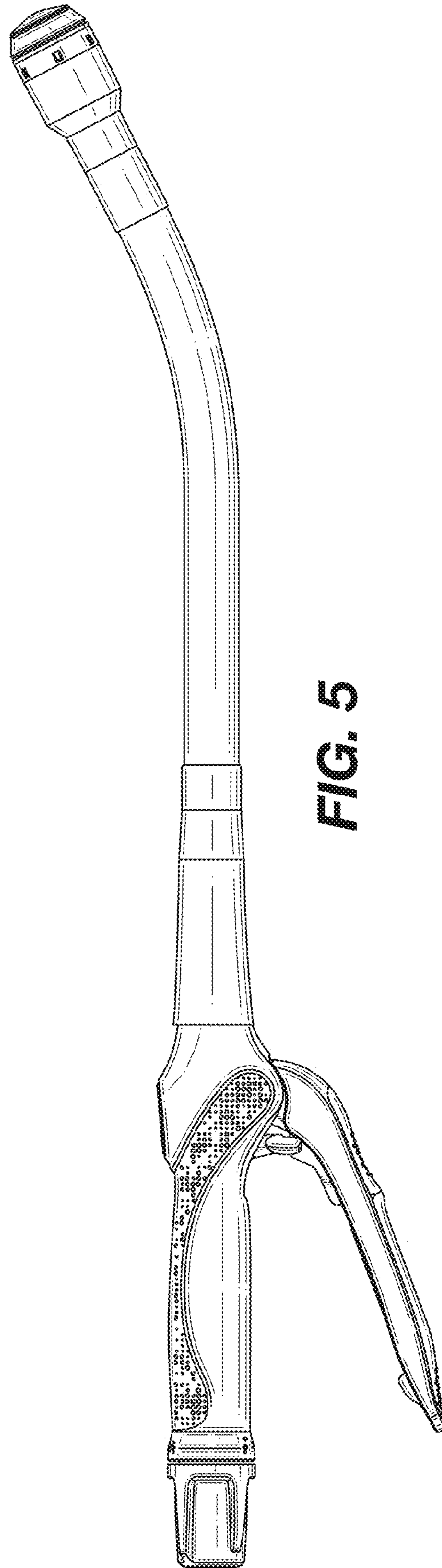


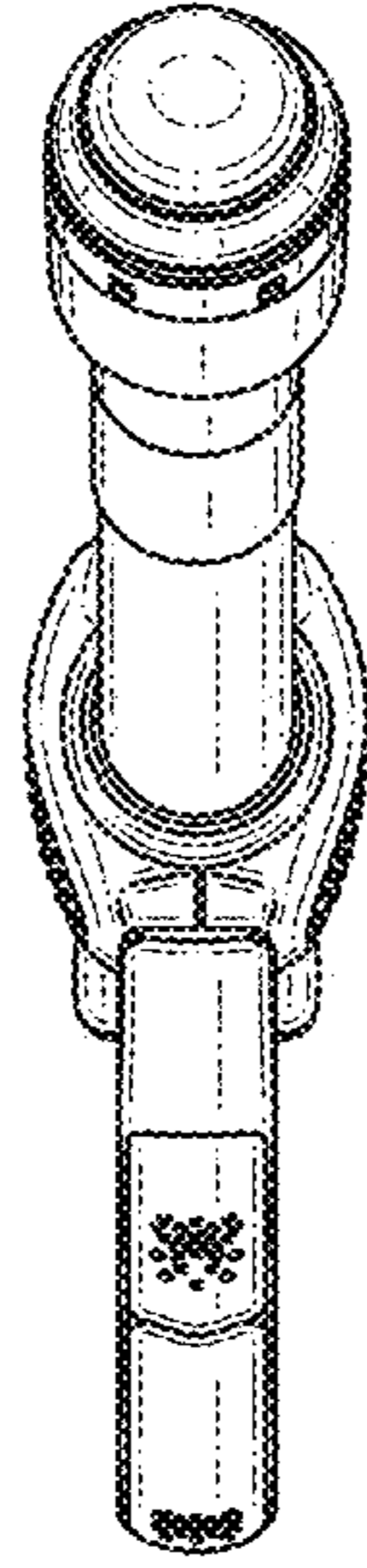
FIG. 3



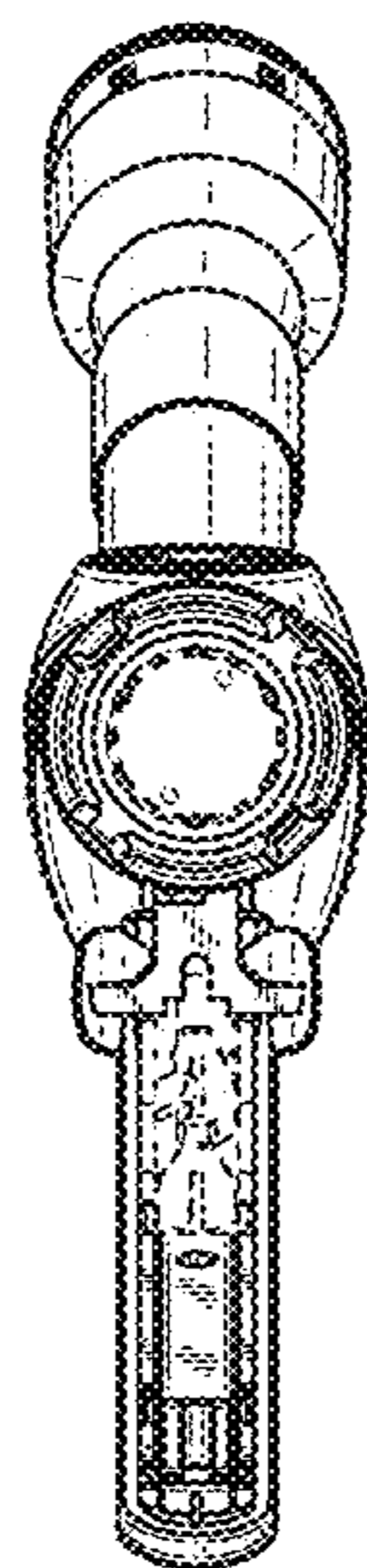
**FIG. 4**



**FIG. 5**



**FIG. 6**



**FIG. 7**

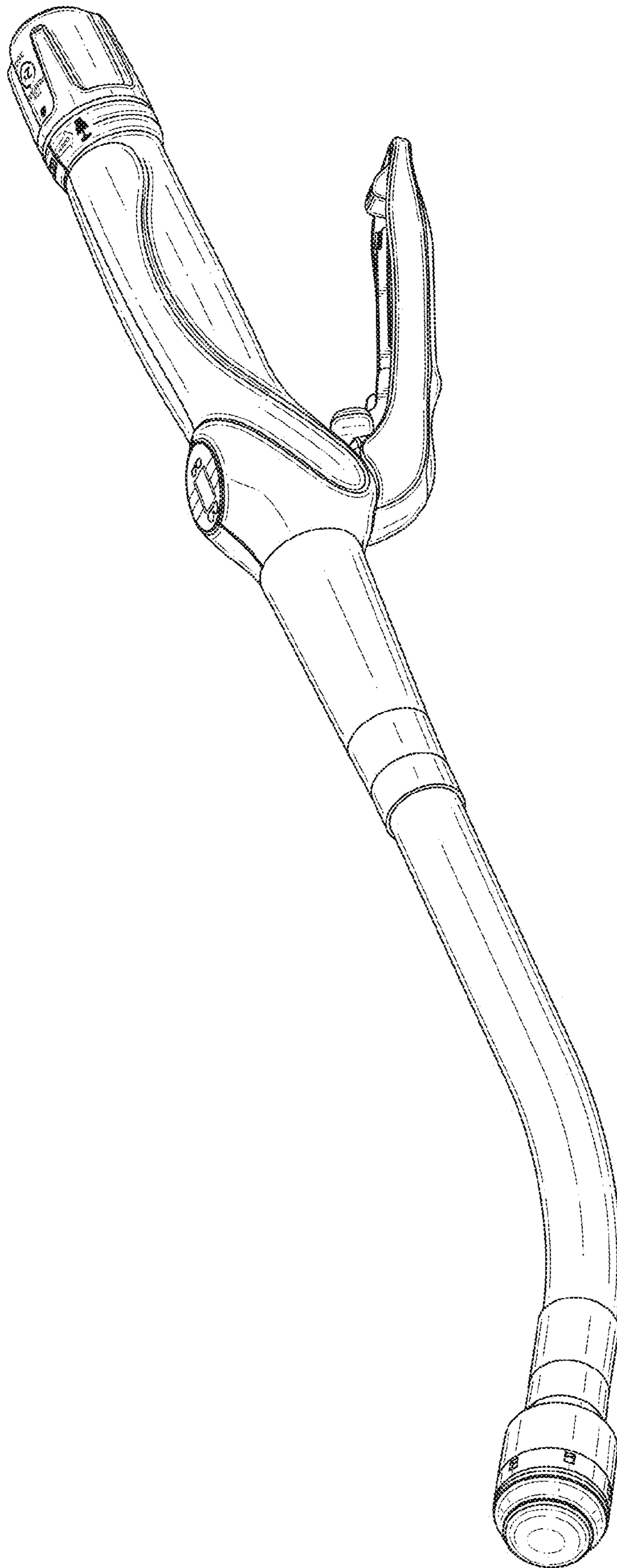
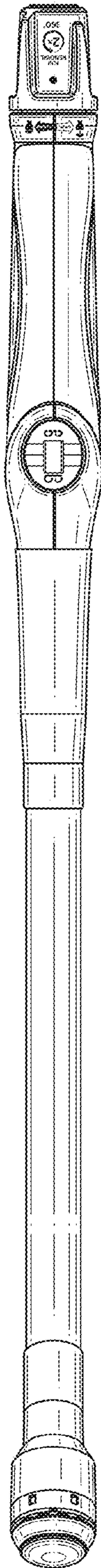
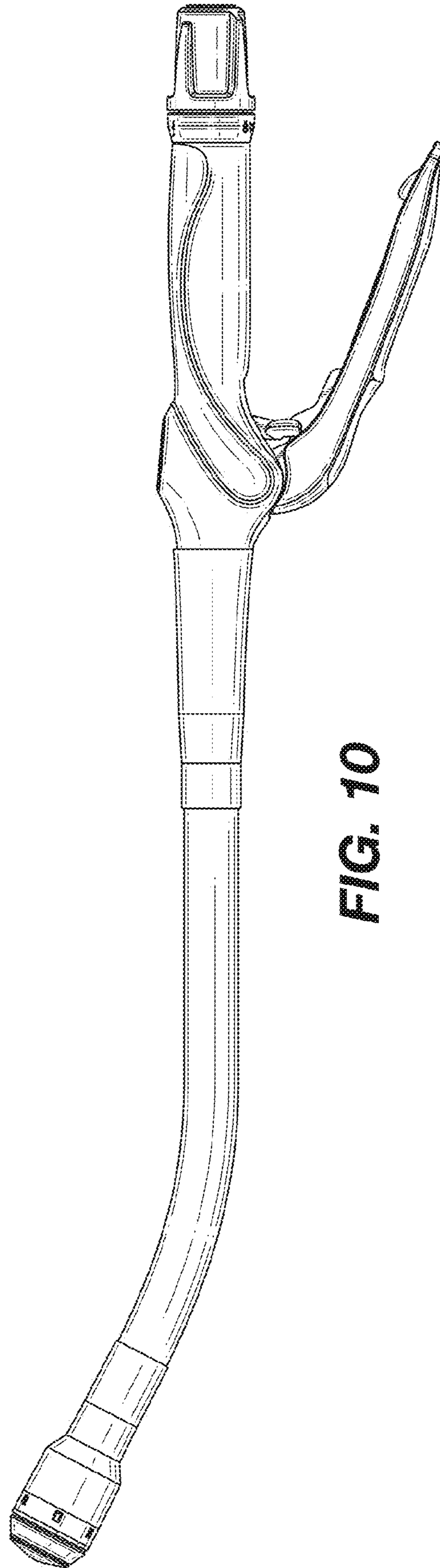


FIG. 8



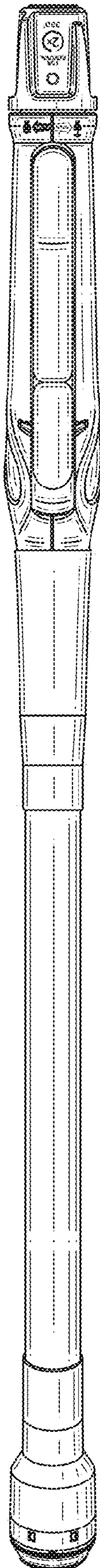


**FIG. 9**

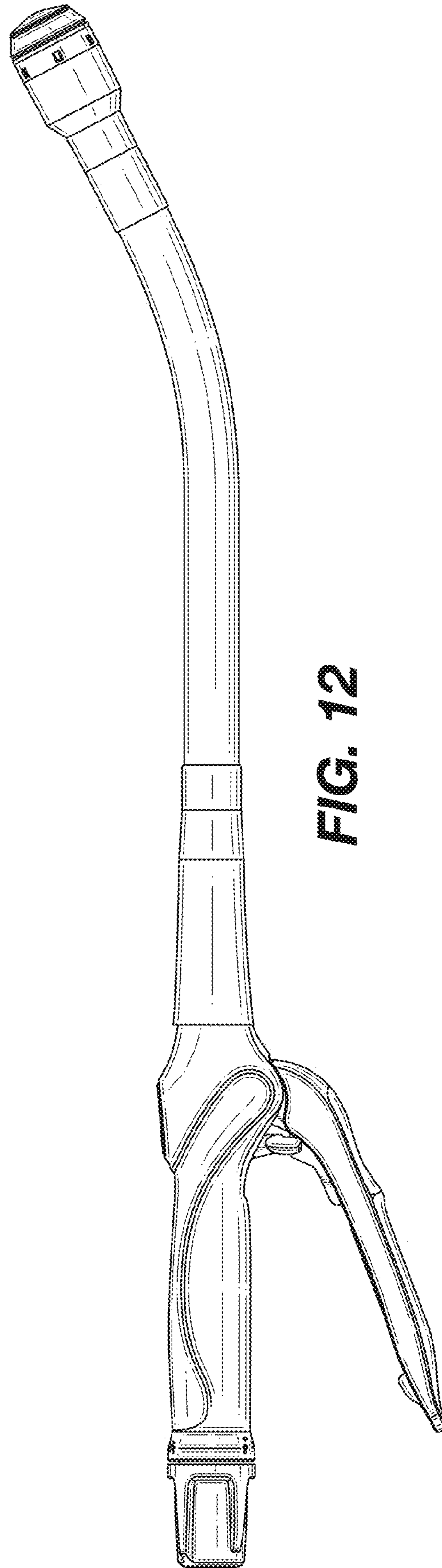


**FIG. 10**

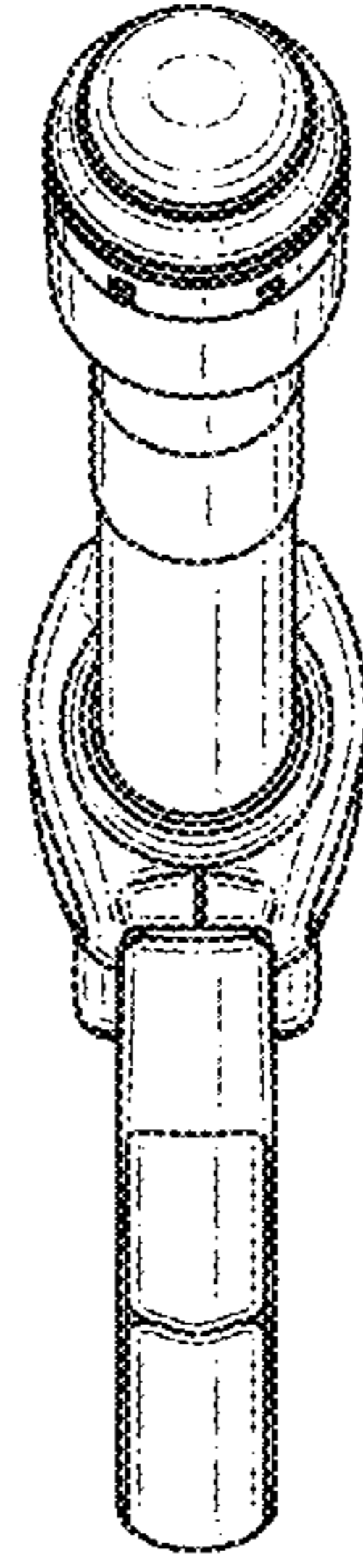




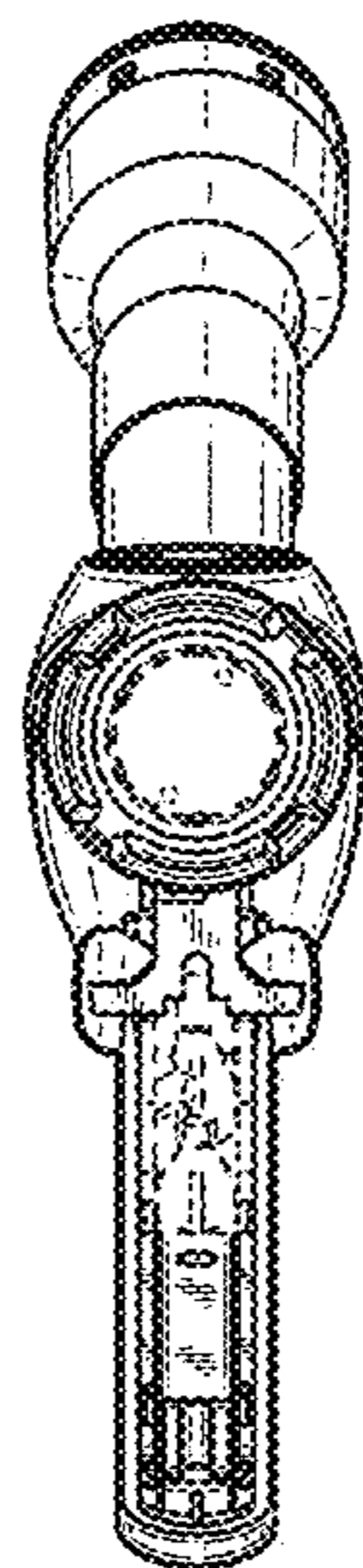
**FIG. 11**



**FIG. 12**



**FIG. 13**



**FIG. 14**

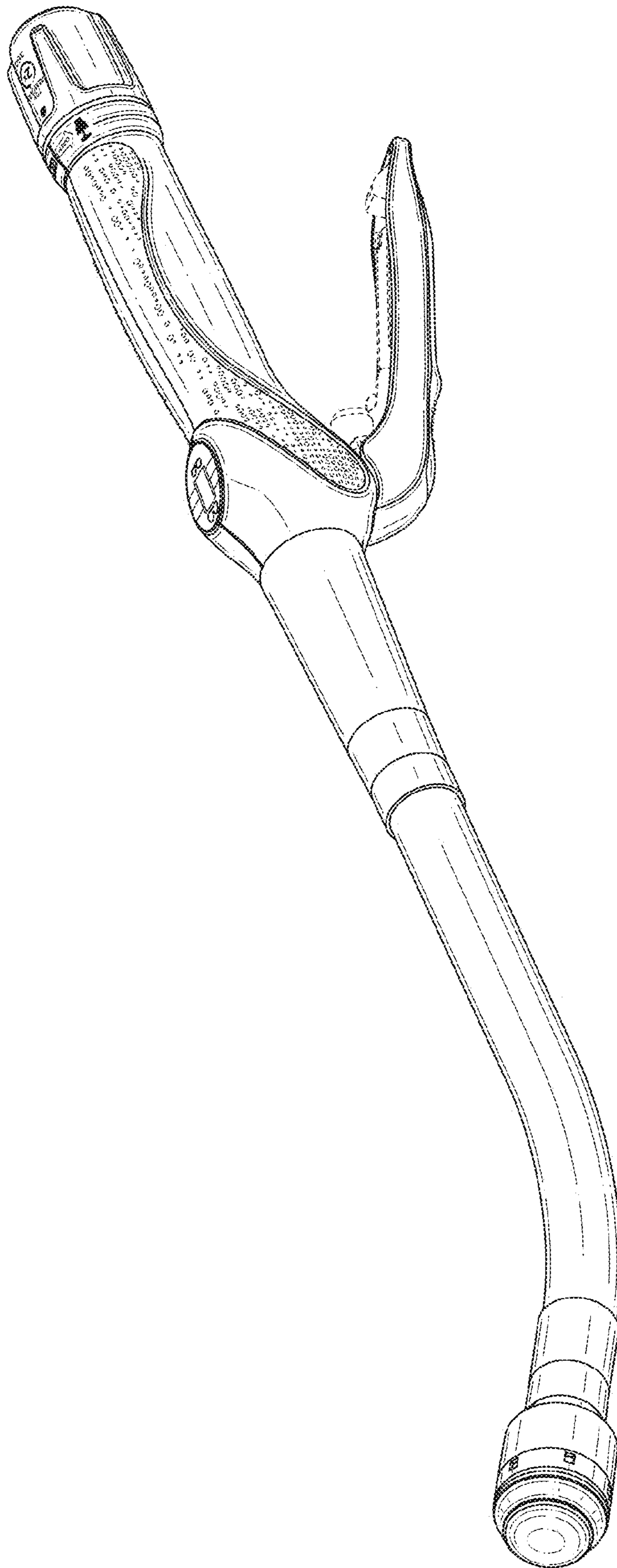
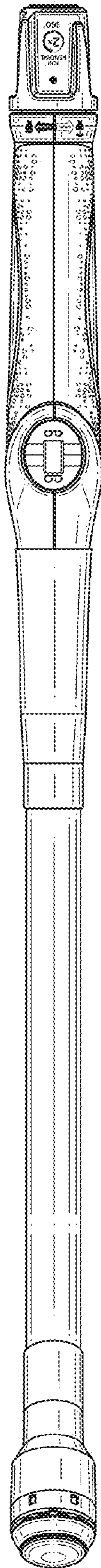
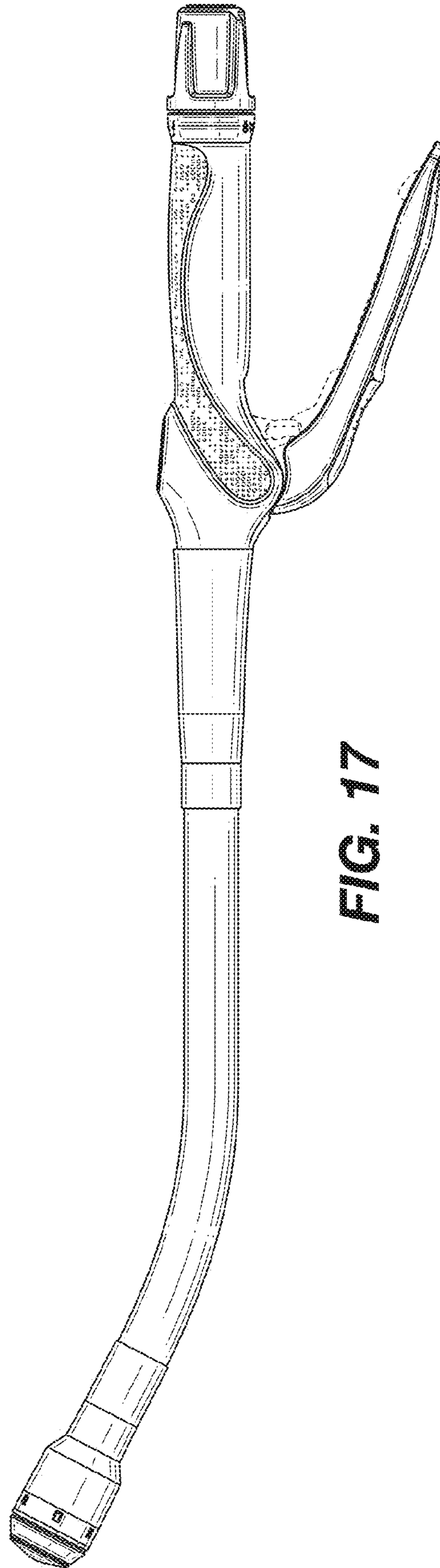


FIG. 15

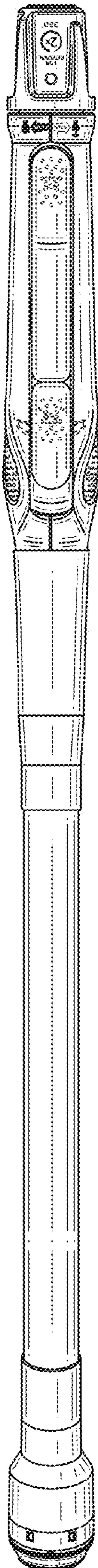




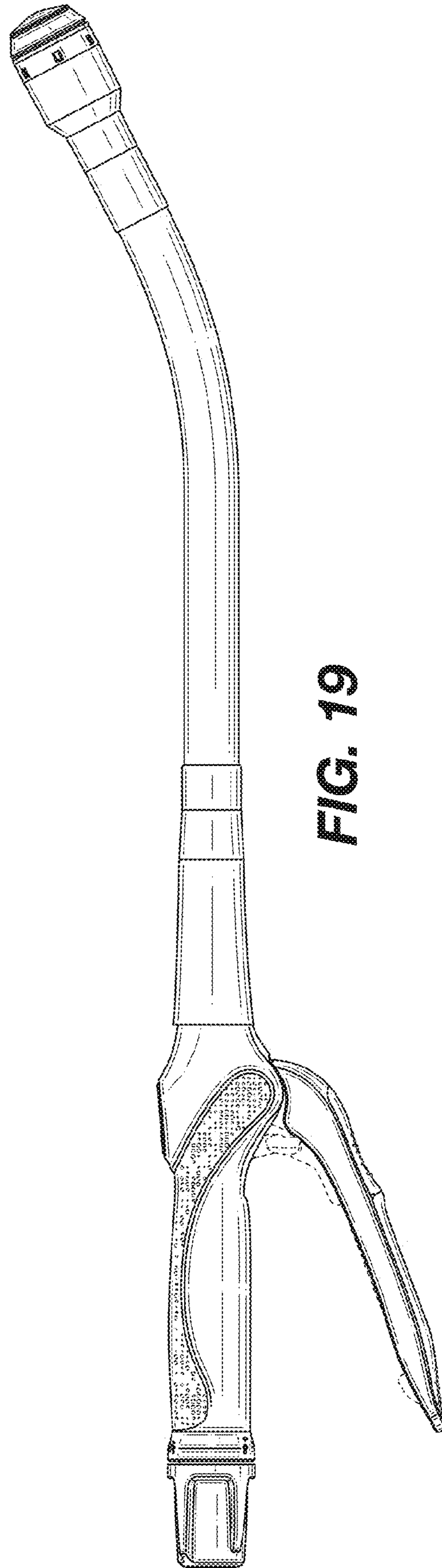
**FIG. 16**



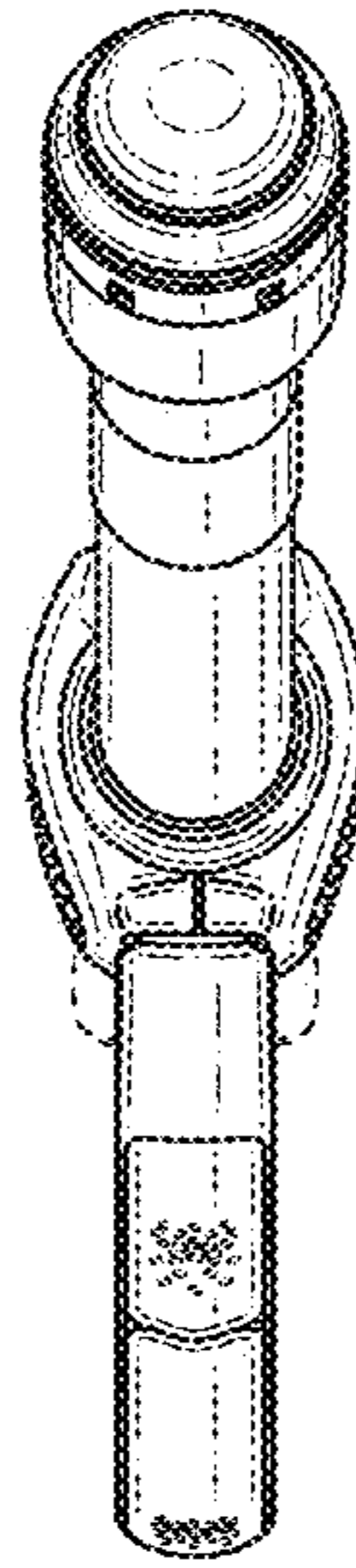
**FIG. 17**



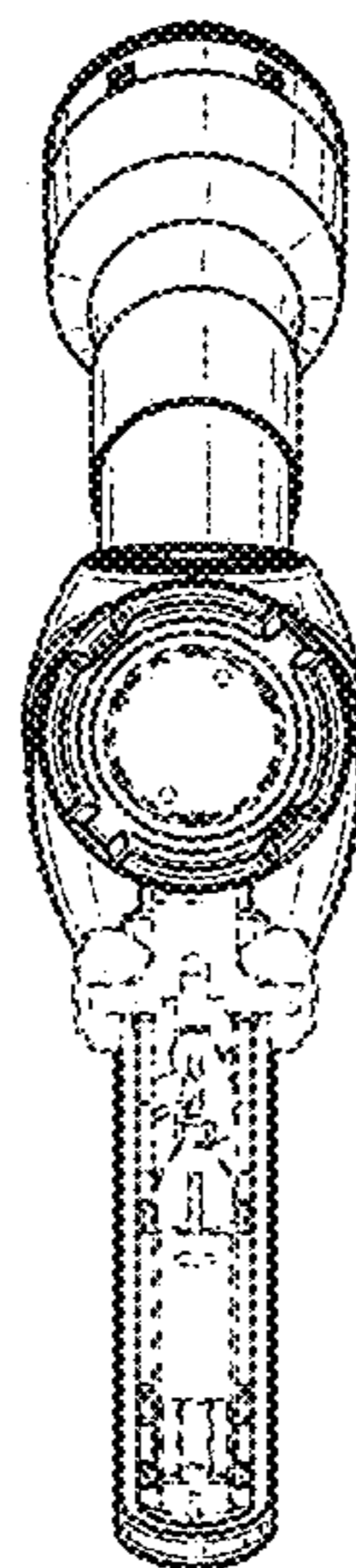
**FIG. 18**



**FIG. 19**



**FIG. 20**



**FIG. 21**