



US00D905241S

(12) **United States Design Patent**  
**Ohno**

(10) **Patent No.:** **US D905,241 S**

(45) **Date of Patent:** **\*\* Dec. 15, 2020**

(54) **OPERATING GRIP FOR ENDOSCOPE**

D884,168 S \* 5/2020 Lohk ..... D24/138  
D886,999 S \* 6/2020 Lohk ..... D24/138  
D888,237 S \* 6/2020 Lohk ..... D24/138

(71) Applicant: **FUJIFILM Corporation**, Tokyo (JP)

\* cited by examiner

(72) Inventor: **Hirotohi Ohno**, Ashigarakami-gun (JP)

*Primary Examiner* — Eliza Z Bennett-Hattan

(73) Assignee: **FUJIFILM Corporation**, Tokyo (JP)

(74) *Attorney, Agent, or Firm* — Birch, Stewart, Kolasch & Birch, LLP.

(\*\*) Term: **15 Years**

(21) Appl. No.: **29/642,254**

(57) **CLAIM**

(22) Filed: **Mar. 28, 2018**

The ornamental design for an operating grip for endoscope, as shown and described.

(30) **Foreign Application Priority Data**

**DESCRIPTION**

Sep. 29, 2017 (JP) ..... 2017-021500

(51) **LOC (12) Cl.** ..... **24-02**

(52) **U.S. Cl.**  
USPC ..... **D24/138**

(58) **Field of Classification Search**  
USPC ..... D24/137, 138  
CPC ..... A61B 1/2676  
See application file for complete search history.

FIG. 1 is a top, front and left side perspective view of an operating grip for endoscope showing my new design; FIG. 2 is a top, rear and left side perspective view thereof; FIG. 3 is a top, front and right side perspective view thereof; FIG. 4 is a bottom, front and left side perspective view thereof; FIG. 5 is a front elevational view thereof; FIG. 6 is a rear elevational view thereof; FIG. 7 is a top plan view thereof; FIG. 8 is a bottom plan view thereof; FIG. 9 is a left side elevational view thereof; FIG. 10 is a right side elevational view thereof; and, FIG. 11 is a cross-sectional view thereof taken along line XI-XI of FIG. 9, in which an internal structure thereof is not shown.

(56) **References Cited**

**U.S. PATENT DOCUMENTS**

D481,124 S \* 10/2003 Hayamizu ..... D24/138  
D535,393 S \* 1/2007 Pilvisto ..... D16/202  
D753,298 S \* 4/2016 Hayamizu ..... D24/138  
D753,823 S \* 4/2016 Hayamizu ..... D24/138  
D845,470 S \* 4/2019 Ohno ..... D24/127  
D871,574 S \* 12/2019 Lohk ..... D24/138  
D871,575 S \* 12/2019 Lohk ..... D24/138  
D871,576 S \* 12/2019 Lohk ..... D24/138  
D873,413 S \* 1/2020 Ohno ..... D24/127

The broken lines showing the portions of the operating grip for endoscope in all views shown represent unclaimed subject matter and form no part of the claimed design.

**1 Claim, 11 Drawing Sheets**

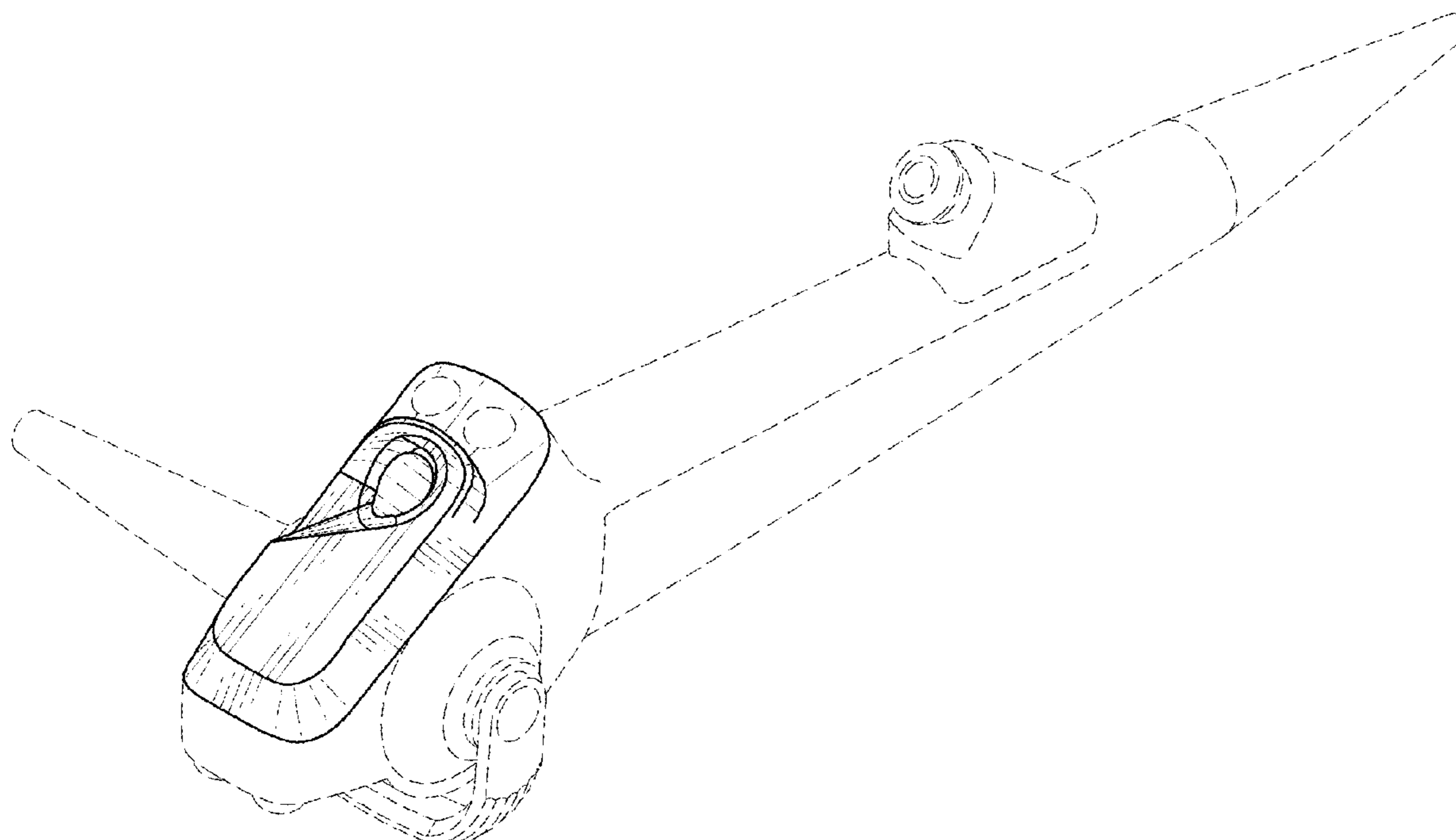


FIG.1

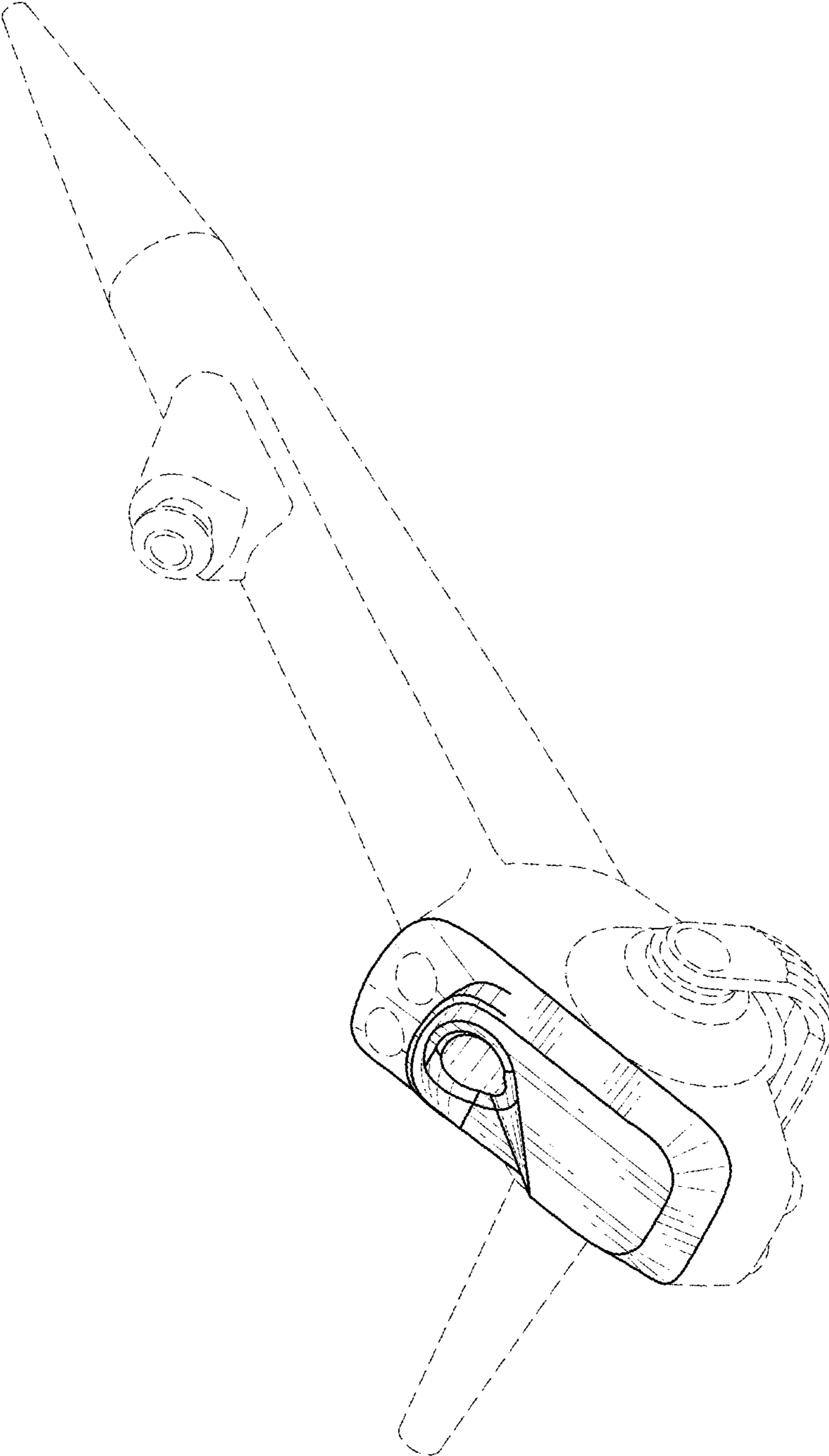


FIG.2

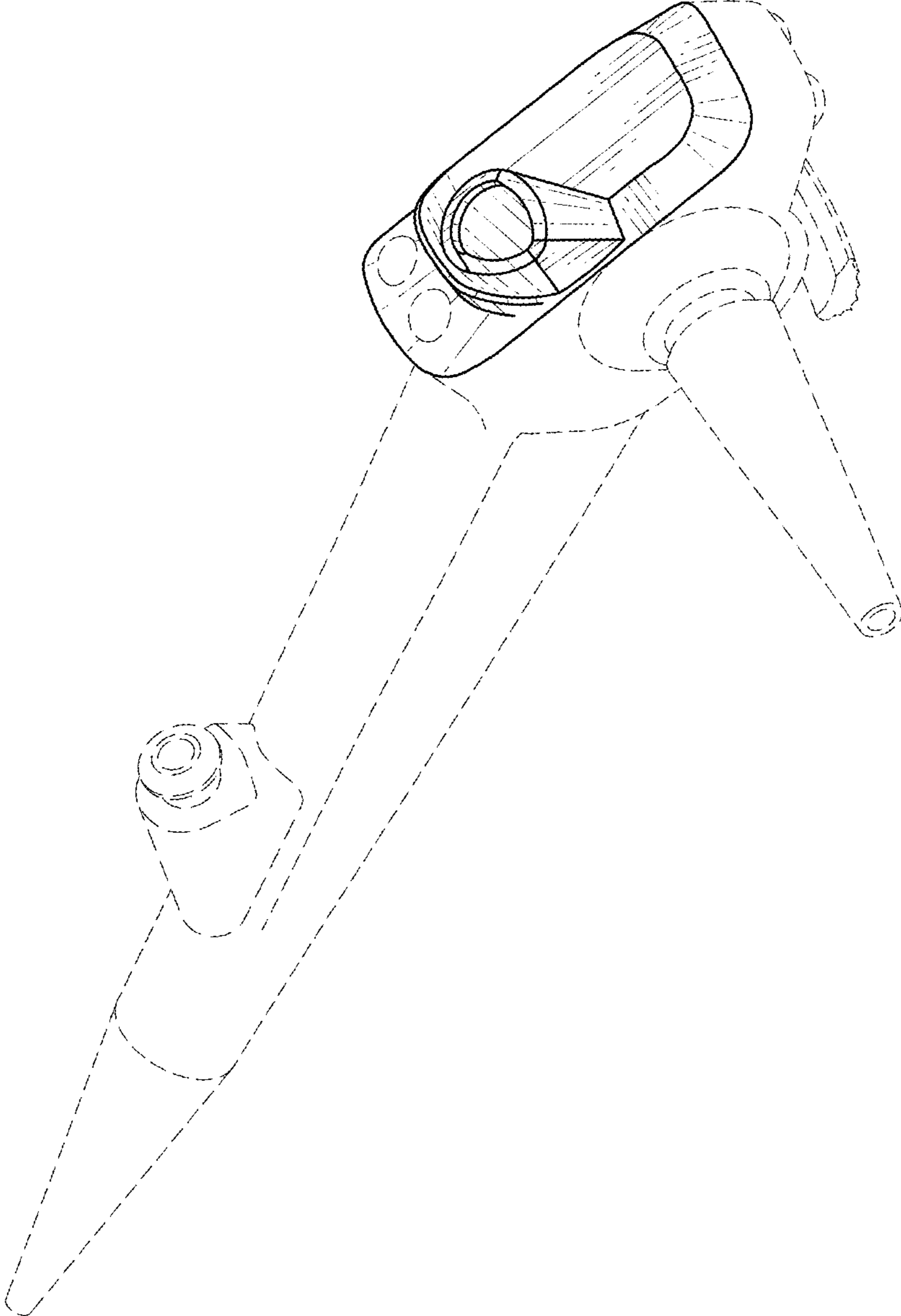


FIG. 3

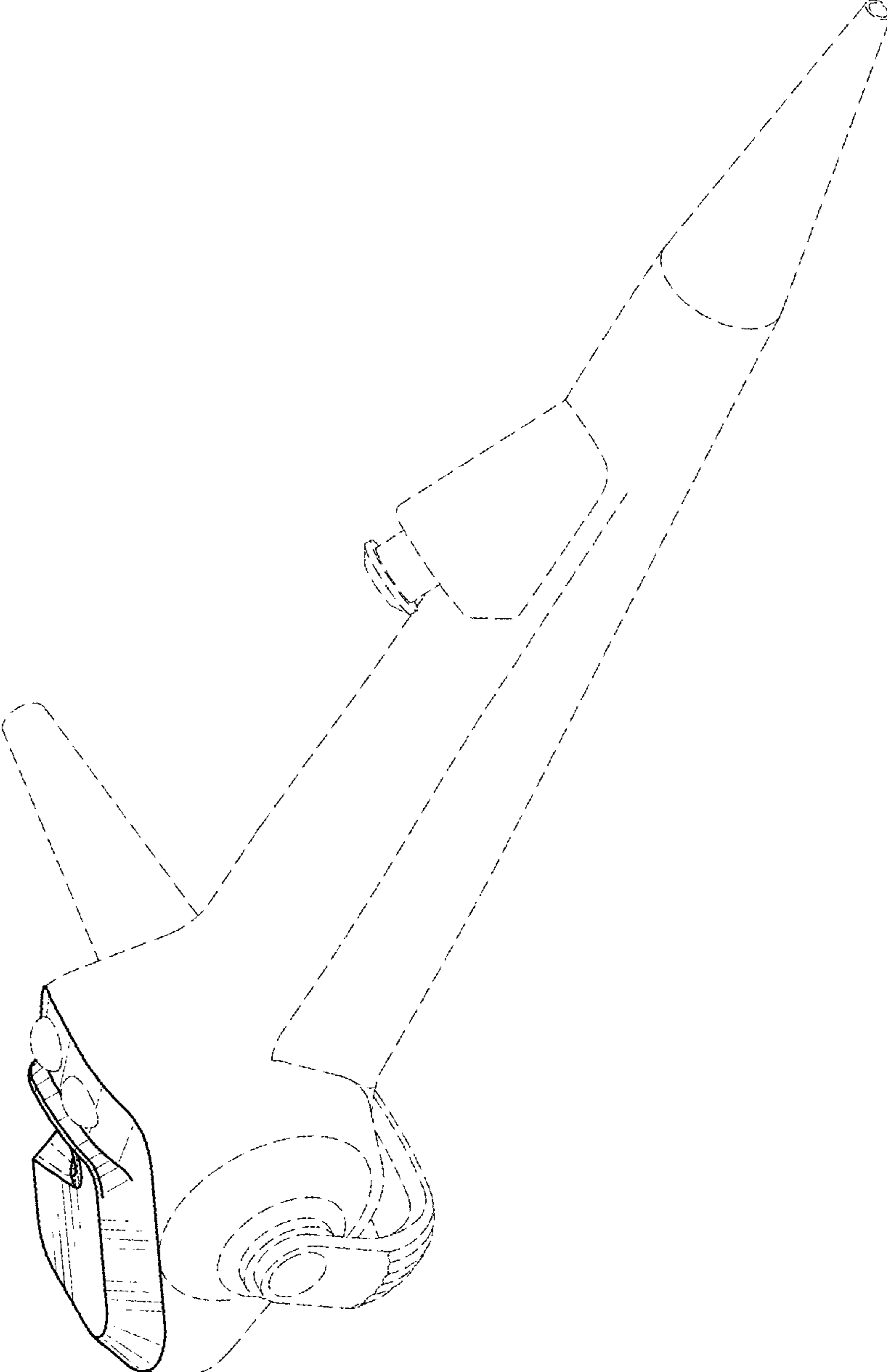


FIG. 4

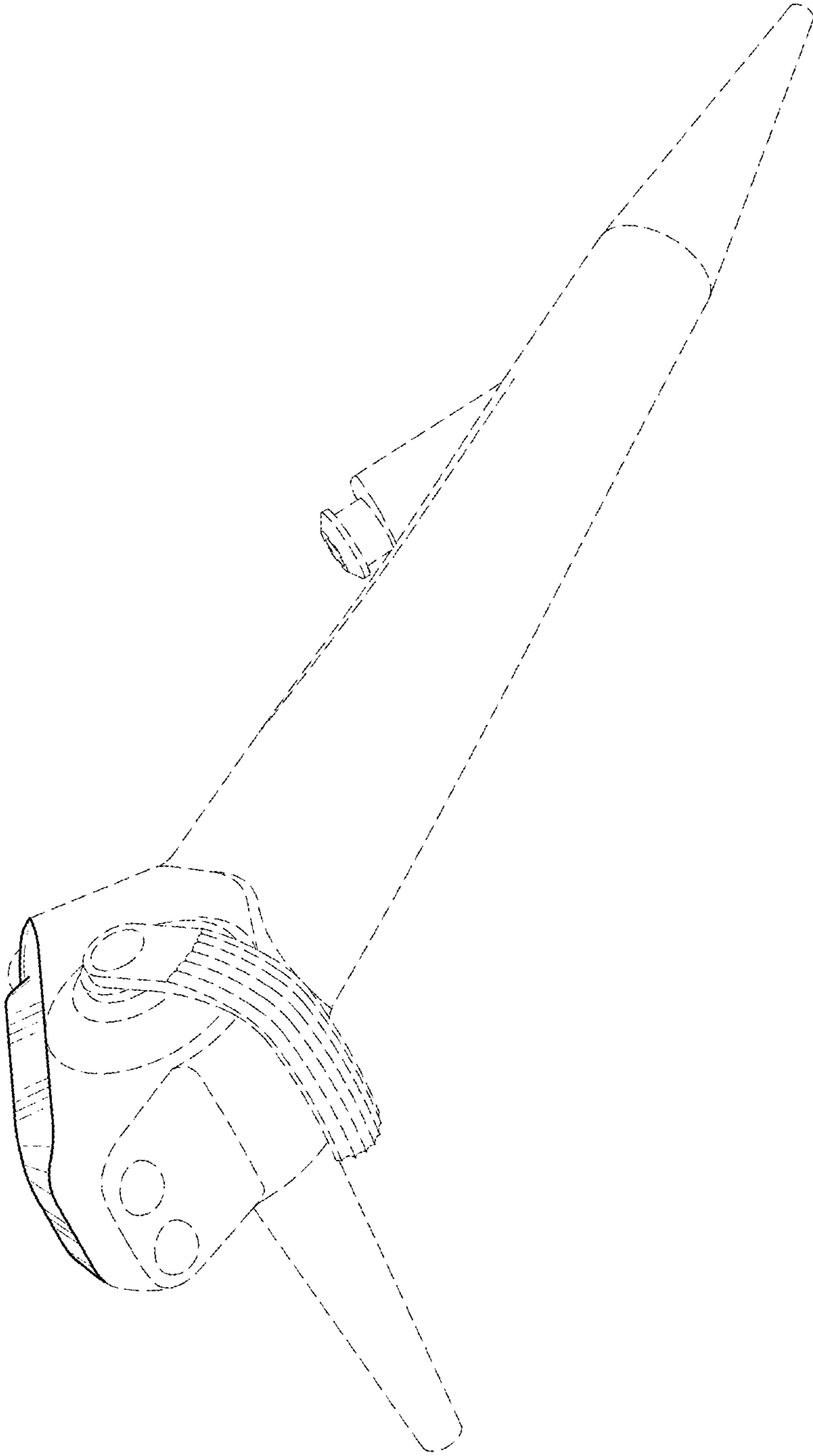


FIG. 5

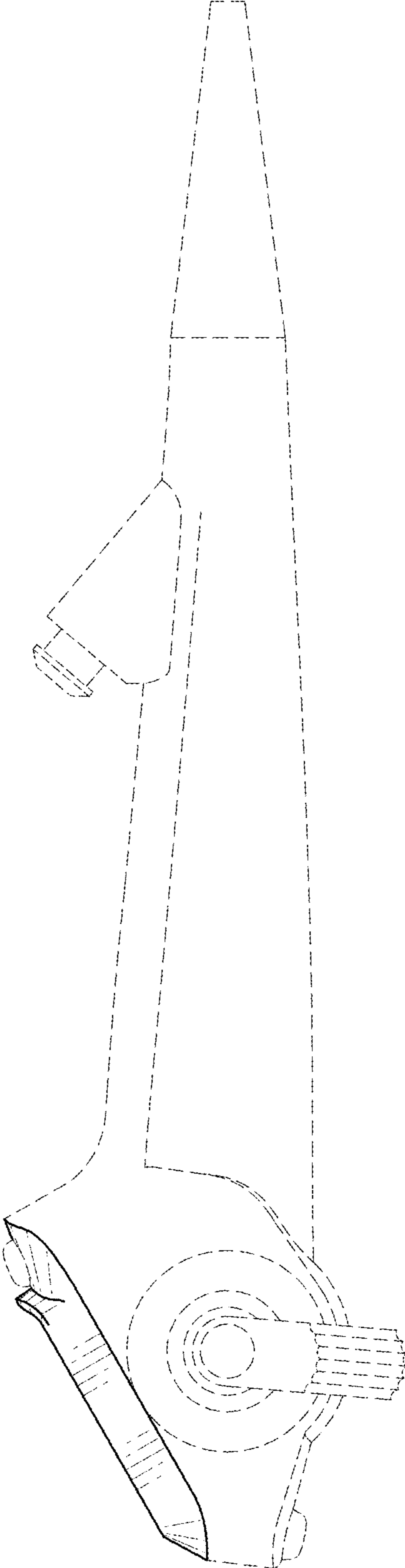


FIG. 6

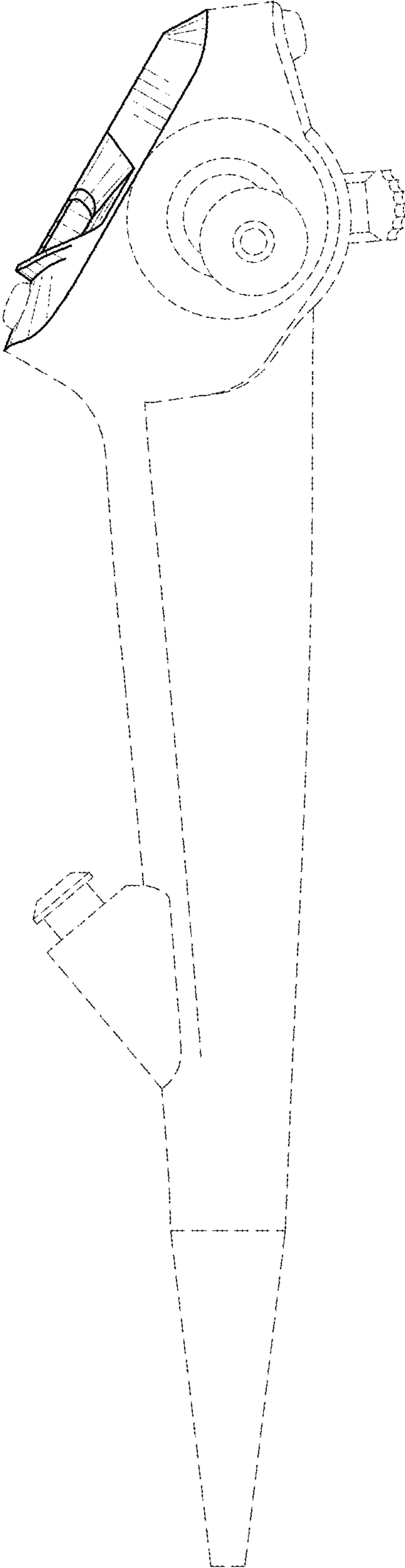


FIG. 7

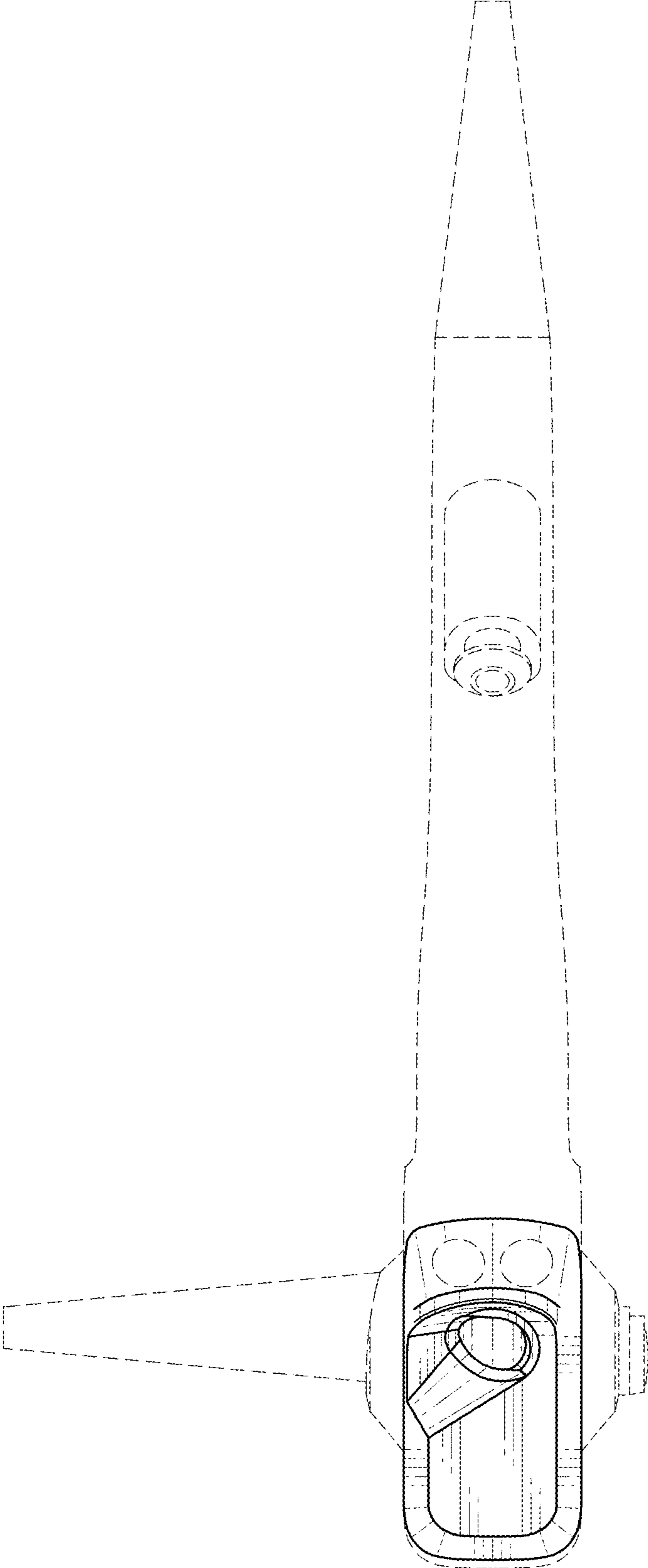




FIG. 8

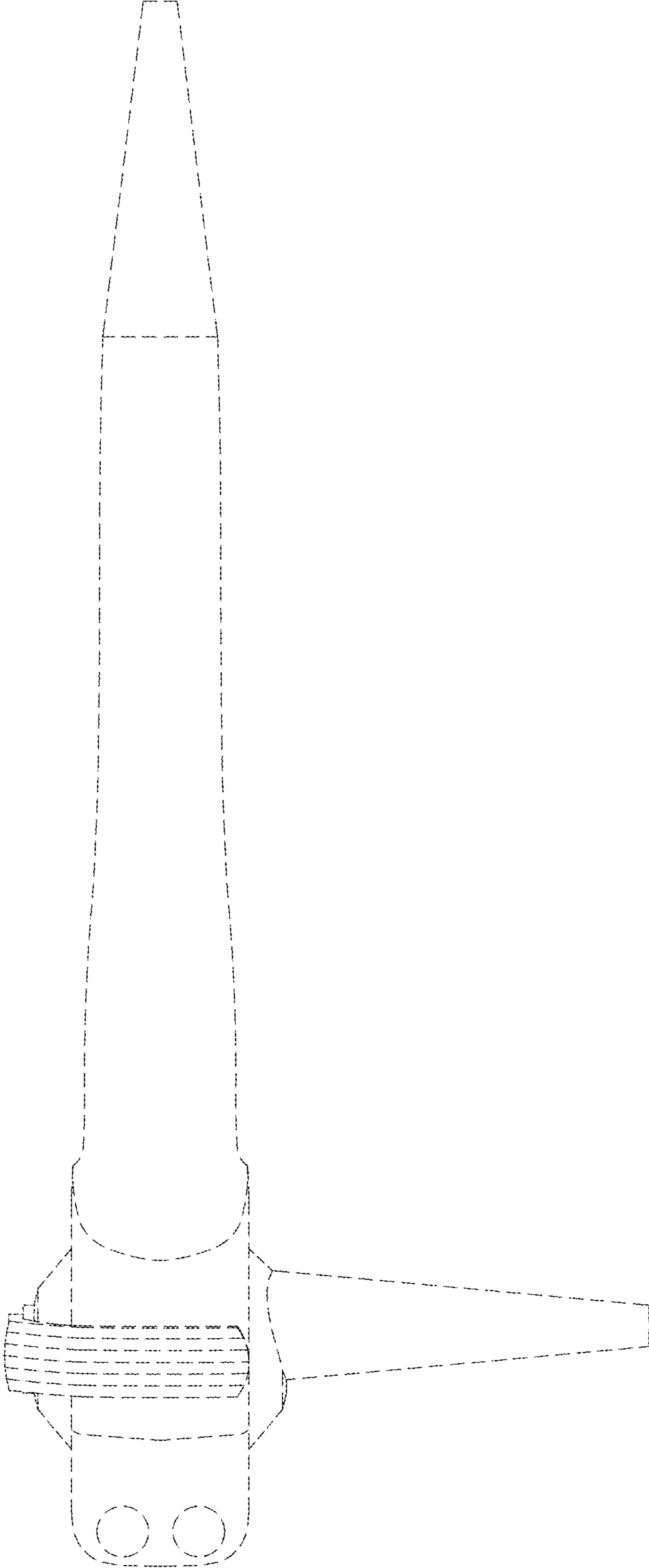


FIG. 9

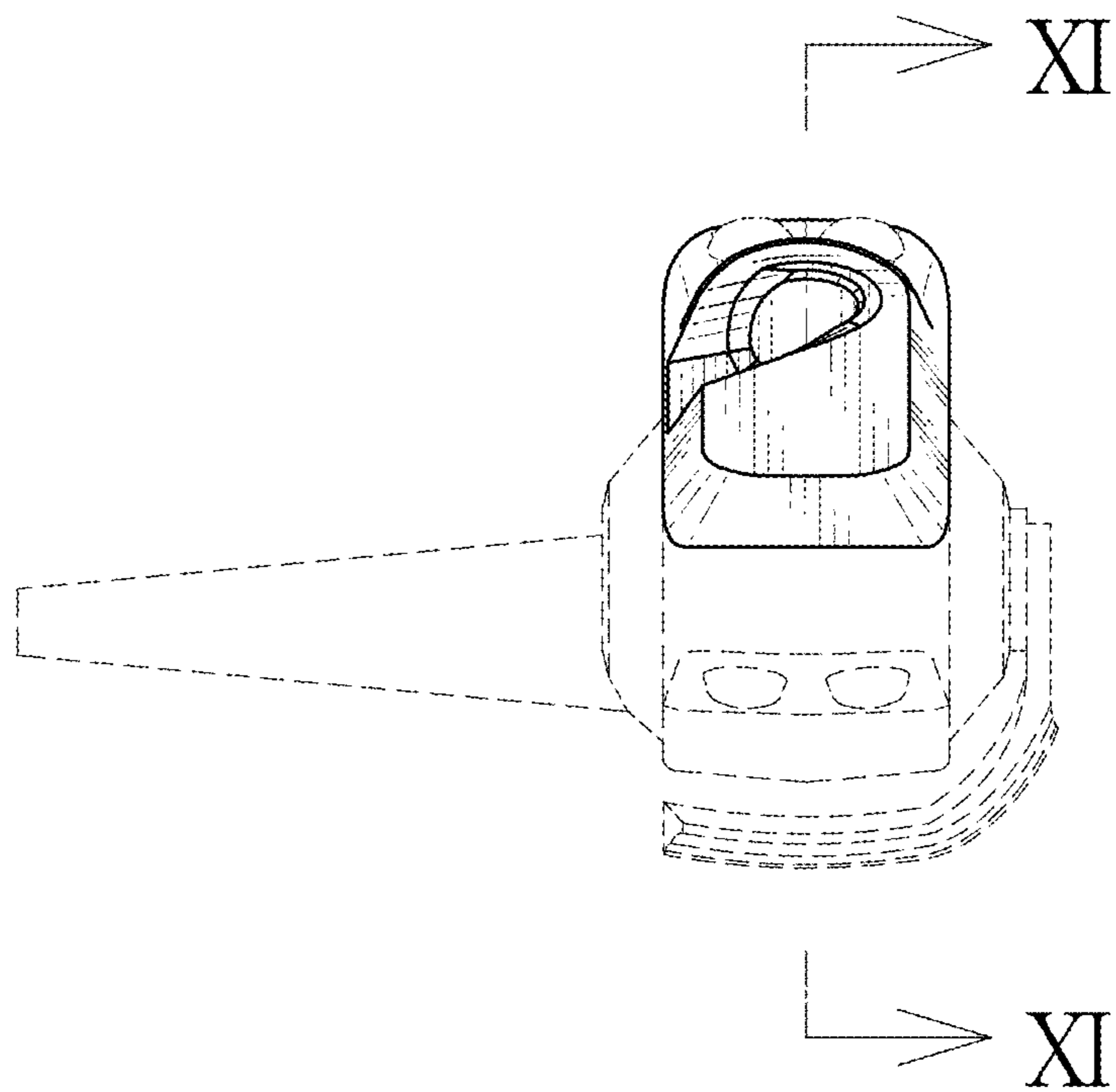


FIG. 10

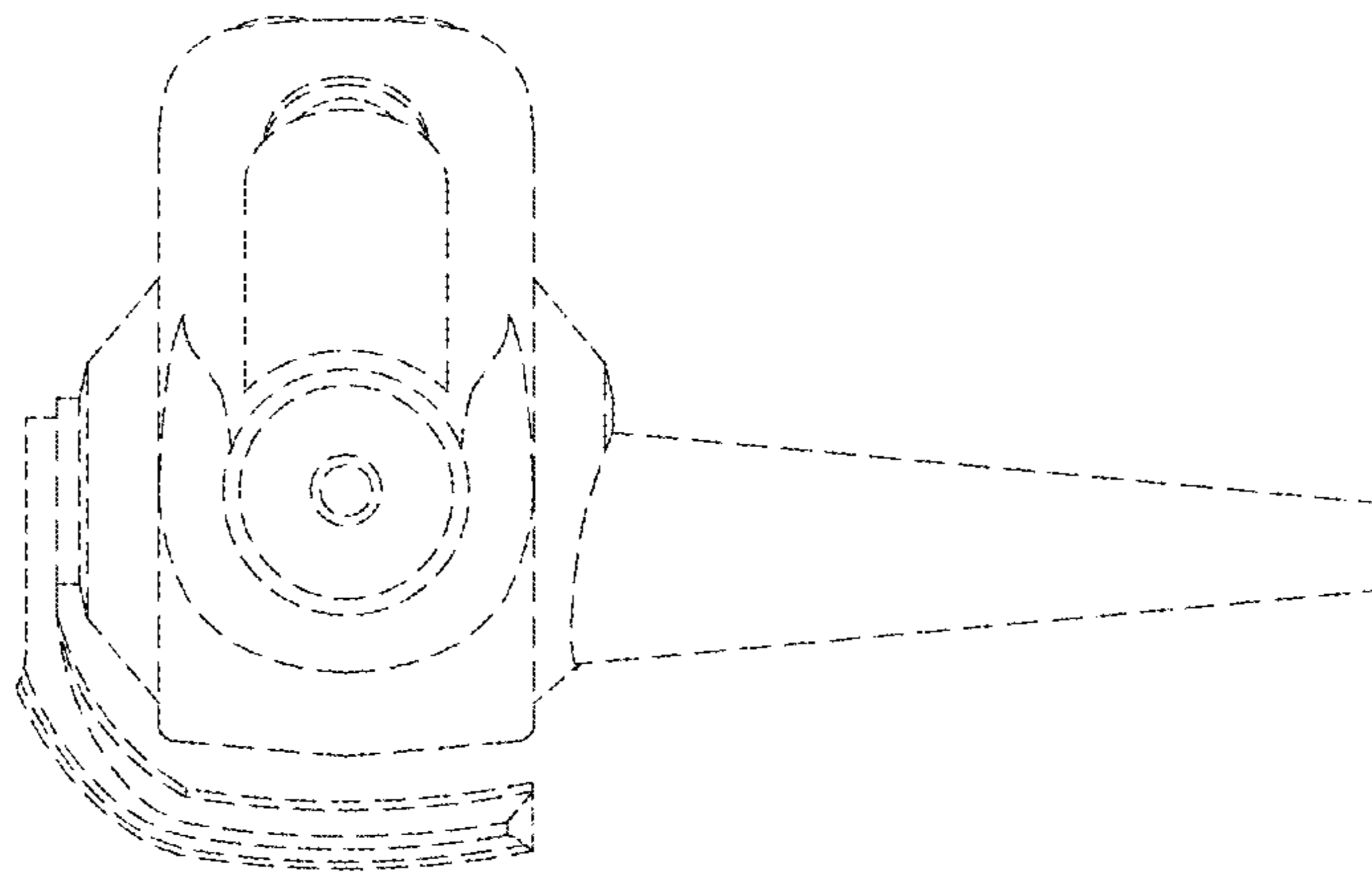


FIG. 11

