



US00D905240S

(12) **United States Design Patent** (10) **Patent No.:** **US D905,240 S**  
**Knieriem et al.** (45) **Date of Patent:** **\*\* Dec. 15, 2020**

(54) **MEDICAL VIEWING DEVICE**

(71) Applicant: **Welch Allyn, Inc.**, Skaneateles Falls, NY (US)

(72) Inventors: **Alan S. Knieriem**, Skaneateles Falls, NY (US); **Thaddeus J. Wawro**, Skaneateles Falls, NY (US); **Timothy R. Fitch**, Skaneateles Falls, NY (US); **Robert S. Englert**, Skaneateles Falls, NY (US); **Michael T. McMahon**, Skaneateles Falls, NY (US); **David Perkins**, Skaneateles Falls, NY (US)

(73) Assignee: **WELCH ALLYN, INC.**, Skaneateles Falls, NY (US)

(\*\*) Term: **15 Years**

(21) Appl. No.: **29/676,213**

(22) Filed: **Jan. 9, 2019**

**Related U.S. Application Data**

(63) Continuation of application No. 29/650,401, filed on Jun. 6, 2018.

(51) **LOC (12) Cl.** ..... **24-02**

(52) **U.S. Cl.**  
USPC ..... **D24/137**

(58) **Field of Classification Search**  
USPC ..... D24/138, 137, 172, 133, 144, 145, 146  
(Continued)

(56) **References Cited**

**U.S. PATENT DOCUMENTS**

D207,372 S 4/1967 Pulos  
D243,973 S 4/1977 Pulos et al.  
(Continued)

**OTHER PUBLICATIONS**

U.S. Appl. No. 29/654,308, filed Jun. 22, 2018, Englert et al.

U.S. Appl. No. 29/676,212, filed Jan. 9, 2019, Englert et al. 3.5 V Diagnostic Oscopes [online] [retrieved Jun. 10, 2014]. Retrieved from the Internet: <URL:http://intl.welchallyn.com/apps/products/product.jsp?id=11-ac-100-000000001141>. (2011) 1 page.

(Continued)

*Primary Examiner* — Eliza Z Bennett-Hattan  
(74) *Attorney, Agent, or Firm* — Alston & Bird LLP

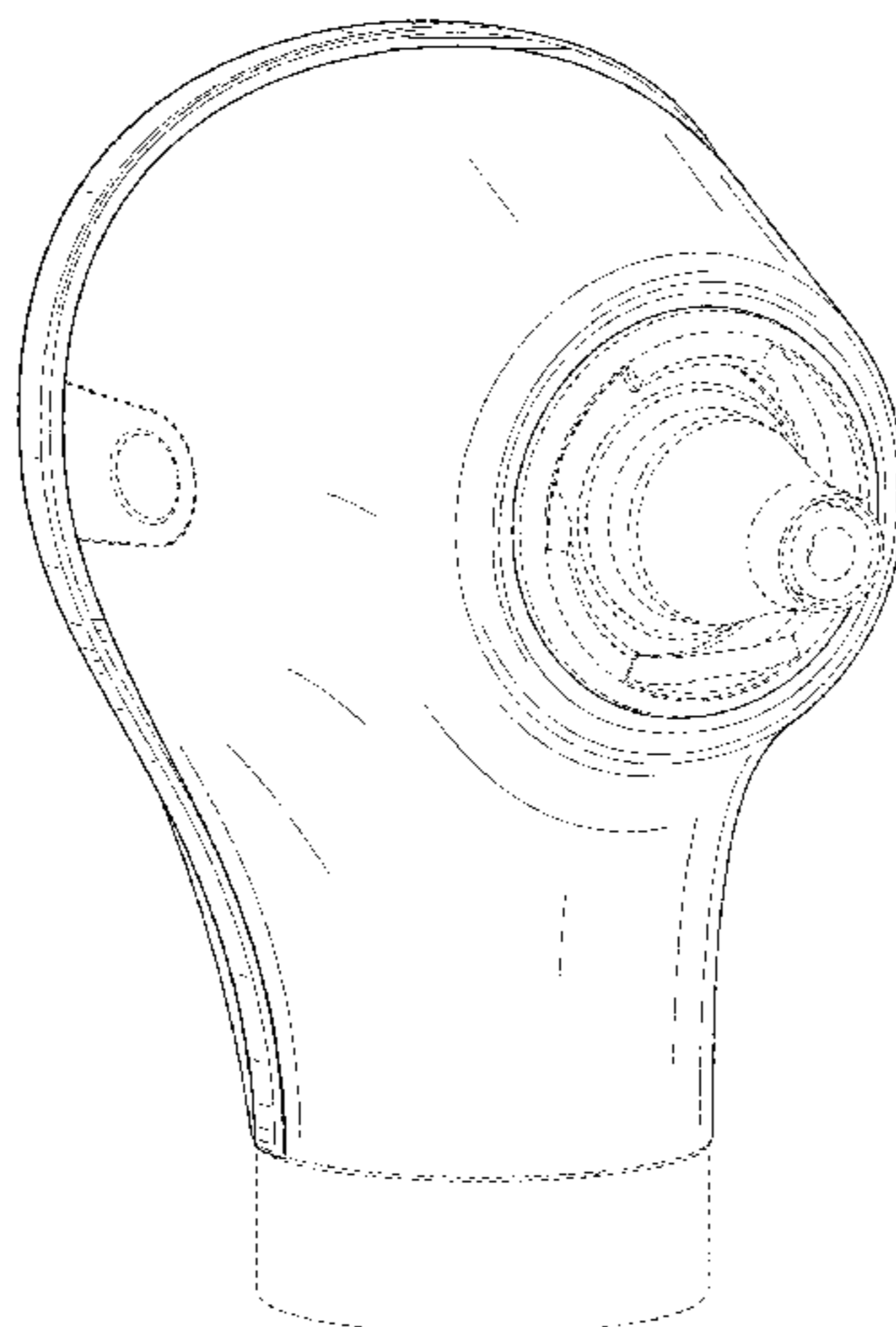
(57) **CLAIM**

The ornamental design for a medical viewing device, as shown and described.

**DESCRIPTION**

FIG. 1 is a perspective view of a medical viewing device showing our new design; FIG. 2 is another perspective view thereof; FIG. 3 is a left side elevation view thereof; FIG. 4 is a right side elevation view thereof; FIG. 5 is a front elevation view thereof; FIG. 6 is a rear elevation view thereof; FIG. 7 is a top plan view thereof; FIG. 8 is a bottom plan view thereof; FIG. 9 is another perspective view thereof, shown with a handle; and FIG. 10 is another left side elevation view thereof, shown with the handle. FIG. 11 is a perspective view of another embodiment of a medical viewing device showing our new design; FIG. 12 is another perspective view thereof; FIG. 13 is a left side elevation view thereof; FIG. 14 is a right side elevation view thereof; FIG. 15 is a front elevation view thereof; FIG. 16 is a rear elevation view thereof; FIG. 17 is a top plan view thereof; FIG. 18 is a bottom plan view thereof; FIG. 19 is another perspective view thereof, shown with a handle; and, FIG. 20 is another left side elevation view thereof, shown with the handle. The broken lines immediately adjacent to shaded areas depict boundaries of the claim and form no part of the claimed design. The broken lines of the handles in FIGS. 9, 10, 19 and 20 illustrate environment and form no part of the claimed design. All other broken lines depict portions of the medical viewing device that form no part of the claimed design.

**1 Claim, 18 Drawing Sheets**



- (58) **Field of Classification Search**  
 CPC ..... A61B 3/1208  
 See application file for complete search history.

(56) **References Cited**

U.S. PATENT DOCUMENTS

D265,504	S	*	7/1982	Nash	.....	D24/137
D286,814	S	*	11/1986	Brainard, II	.....	600/200
D288,960	S	*	3/1987	Riester	.....	D24/137
D289,197	S	*	4/1987	Ware	.....	D24/137
5,200,772	A		4/1993	Perkins et al.		
5,202,710	A		4/1993	Perkins		
D377,393	S		1/1997	Sams		
D379,514	S		5/1997	Laun et al.		
D423,668	S		4/2000	Coe		
D429,333	S		8/2000	Sander et al.		
6,130,520	A		10/2000	Wawro et al.		
D566,270	S		4/2008	Strom et al.		
D566,838	S		4/2008	Slawson et al.		
D594,555	S		6/2009	Hsu		
D618,794	S		6/2010	Onuma		
D619,708	S		7/2010	Ellman		
7,862,173	B1		1/2011	Ellman		
D635,257	S	*	3/2011	Ellman	.....	D24/137
8,459,844	B2		6/2013	Lia et al.		
D709,191	S		7/2014	Wood et al.		
D760,388	S		6/2016	Slawson et al.		
D760,895	S		7/2016	McMahon et al.		
D776,809	S		1/2017	Vallee et al.		
2004/0039251	A1		2/2004	Roberts et al.		

OTHER PUBLICATIONS

3.5 V Standard Ophthalmoscope [online] [retrieved Jun. 10, 2014]. Retrieved from the Internet: <URL:http://intel.welchallyn.com/apps/products/product.jsp?id=11-ac-100-000000001137>. (2011) 1,page.  
 PocketScope Ophthalmoscope [online] [retrieved Jun. 10, 2014]. Retrieved from the Internet: <URL:http://intel.welchallyn.com/apps/products/product.jsp?id=11-ac-100-000000001139>. (2011) 1 page.  
 PocketScope Otoscope with Throat Illuminator [online] [retrieved Jun. 10, 2014]. Retrieved from the Internet: <URL:http://intel.welchallyn.com/apps/products/product.jsp?id=11-ac-100-000000001148>. (2011) 1 page.  
 Welch Allyn 2.5v PocketScope Ophthalmoscope with AA Handle (Model 12820) [online] [retrieved Jun. 10, 2014]. Retrieved from the Internet:<URL:http://www.amazon.com/Welch-allyn-PocketScope-Ophthalmoscope-Handle/dp/B002MBRHROQ/repd\_sim\_sbs\_hpc\_1?ie=UTF8&refRID=0KV7EFBWEAQ08K . . . >, (undated) 2 pages.  
 Welch Allyn Otoscope/opthalmoscope Diagnostic Set MOD 95001 [online] [retrieved Jun. 10, 2014]. Retrieved from the Internet: <URL:http://www.amazon.com/Welch-Allyn-opthalmoscope-MOD95001/dp/BOOORJXUDS/ref=pd\_sxp\_grid\_pt\_0\_1>, (undated) 2 pages.  
 Welch Allyn PocketScope Otoscope w/“AA” Handle and Soft Case, 1/Ea, 22821 [online] [retrieved Jun. 10, 2014]. Retrieved from the Internet: <URL:http://www.amazon.com/Welch-Allyn-PocketScope-Otoscope-22821/dp/BOOOROJ8UW/re-pd\_sim\_hpc\_3?ie=UTF8&refRID=13090GMJV3SHNBVAQPKS>. (undated) 2 pages.

\* cited by examiner

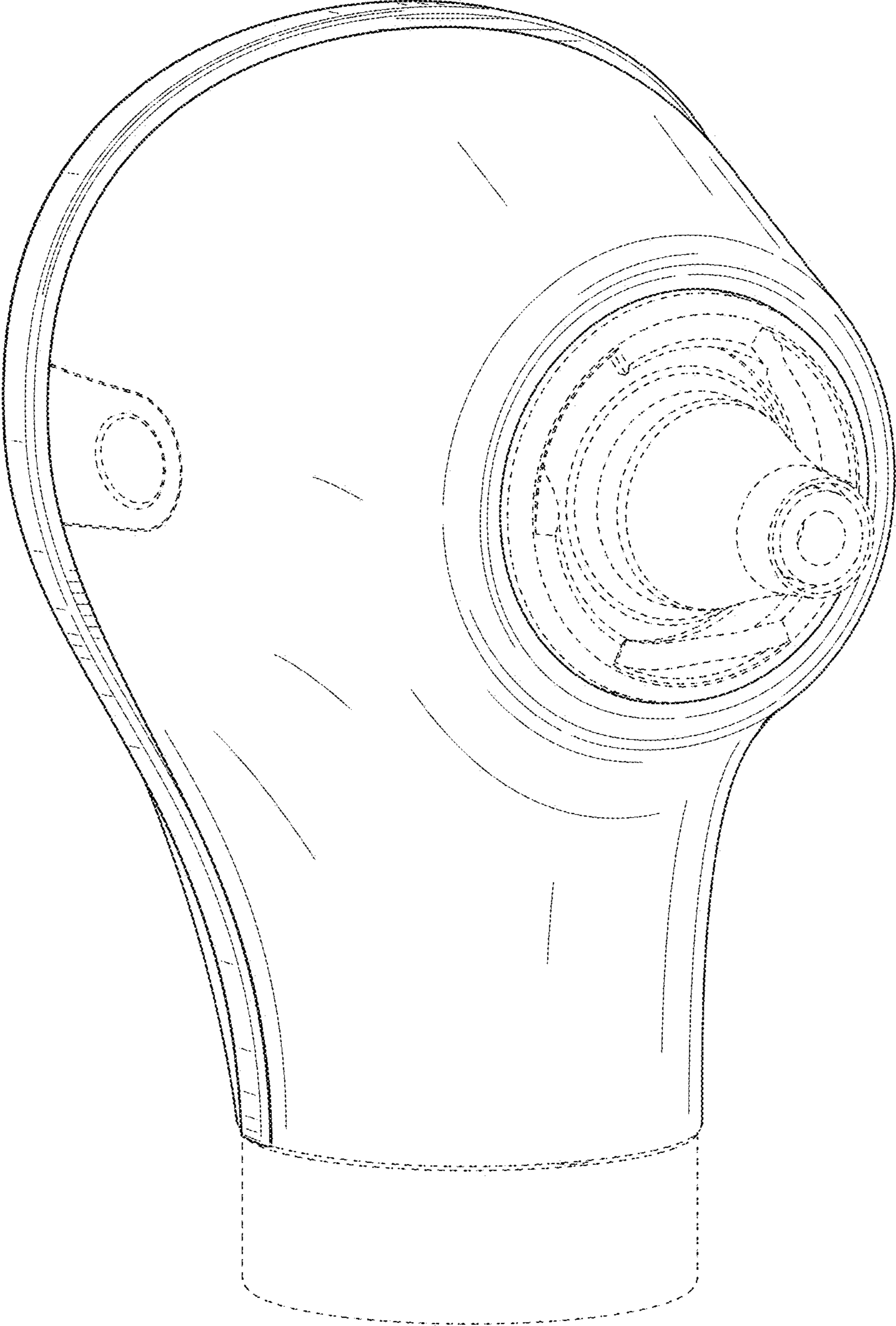


FIG. 1

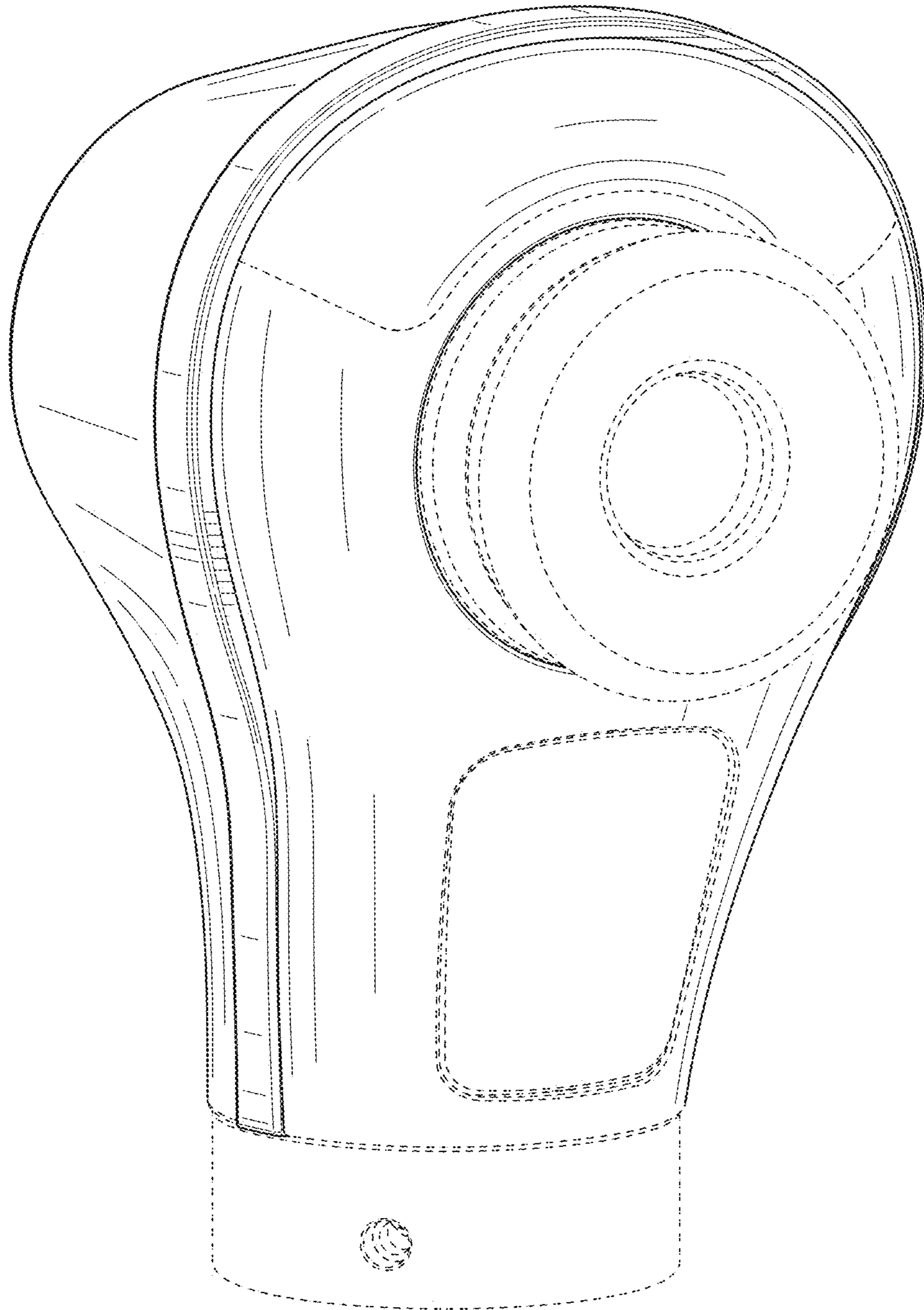


FIG. 2

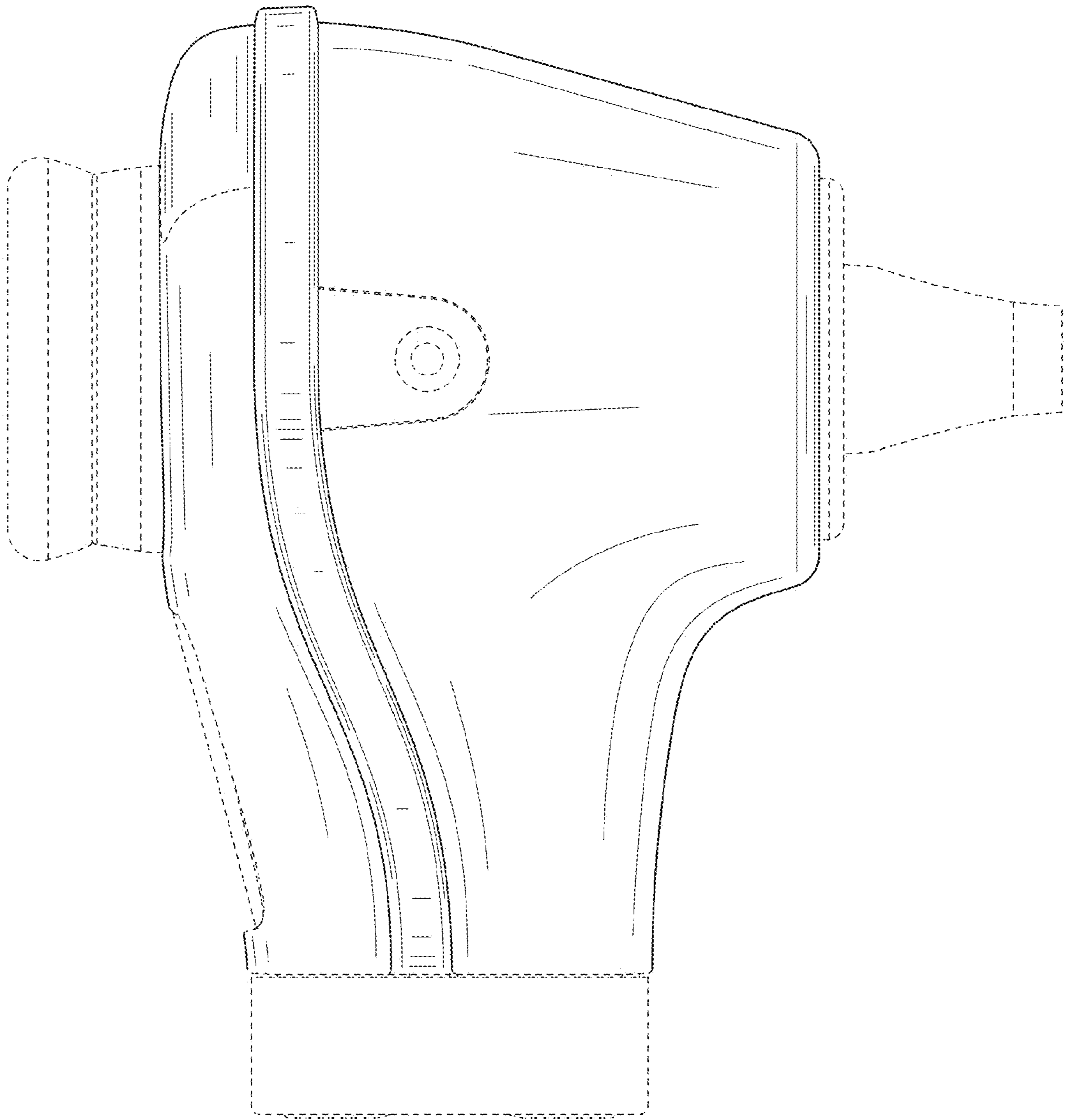


FIG. 3

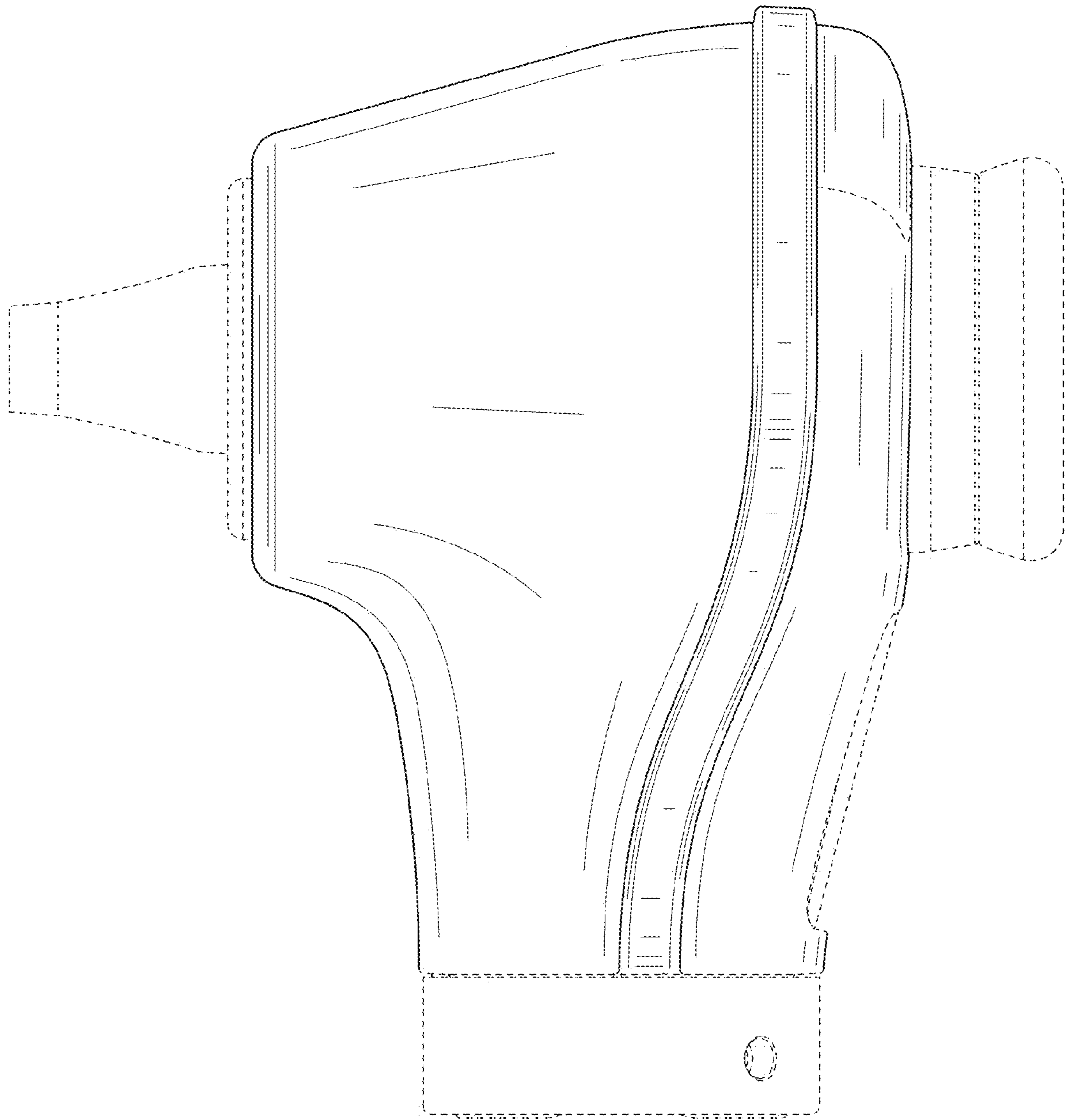


FIG. 4

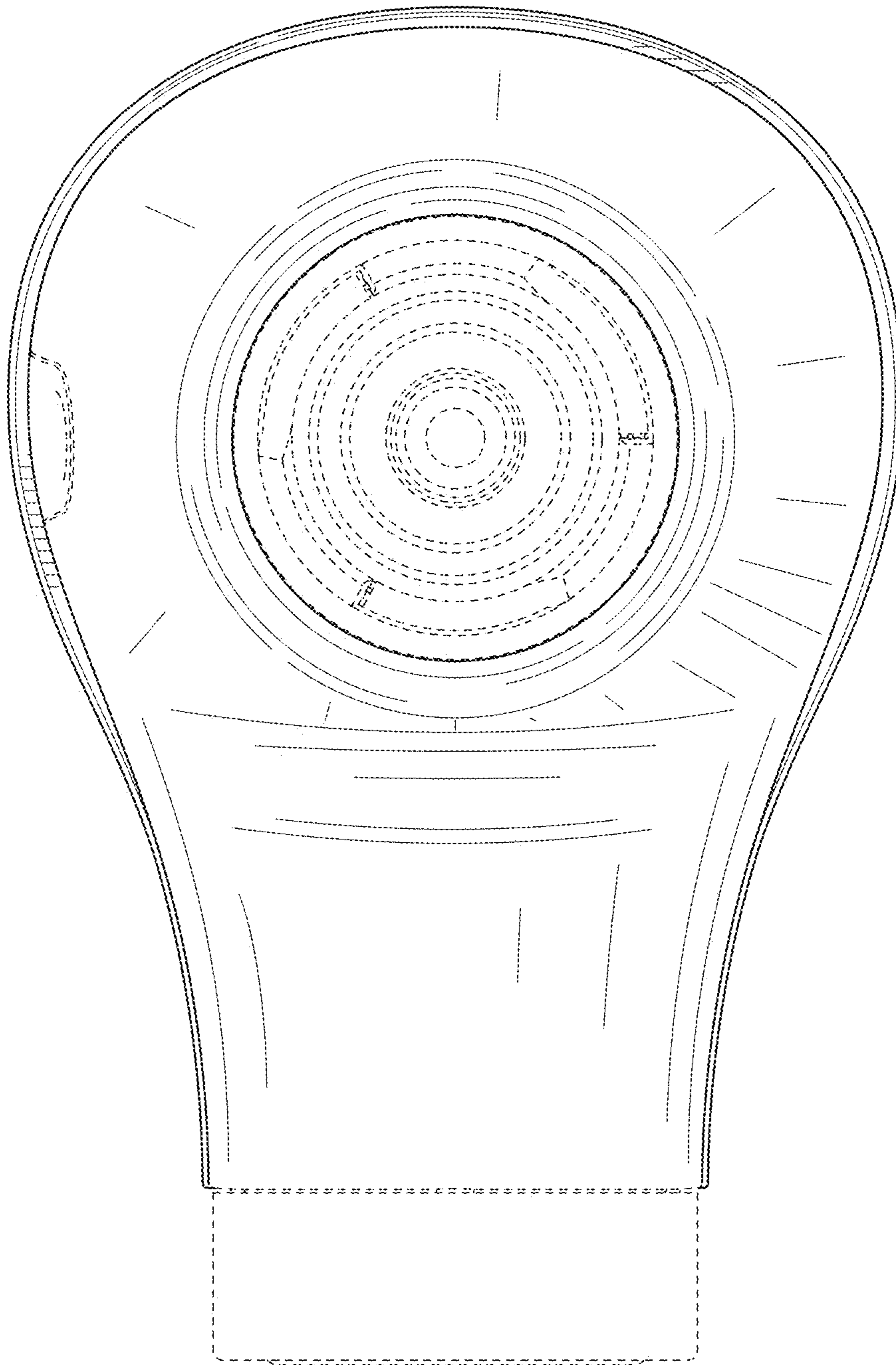


FIG. 5

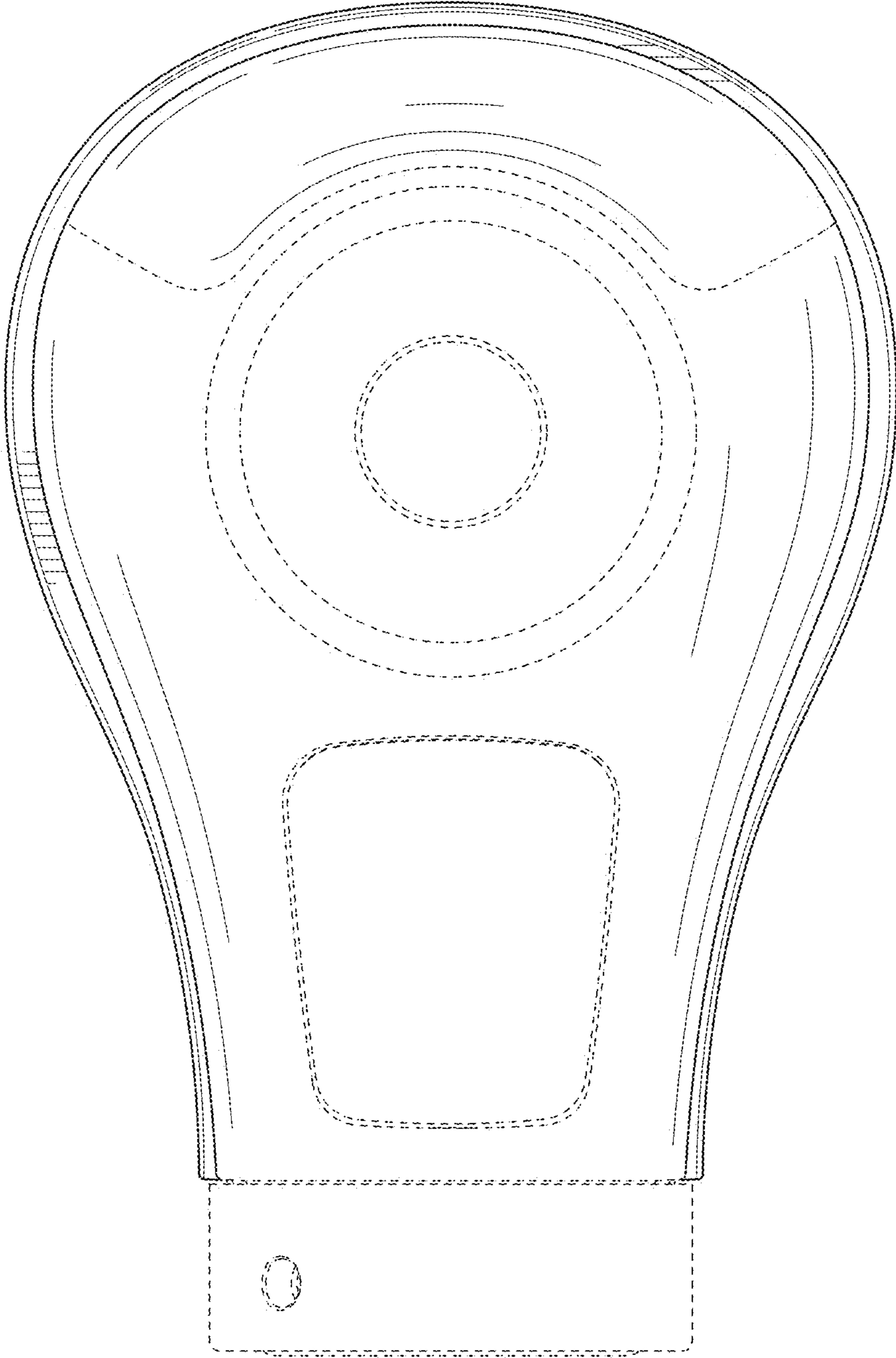


FIG. 6



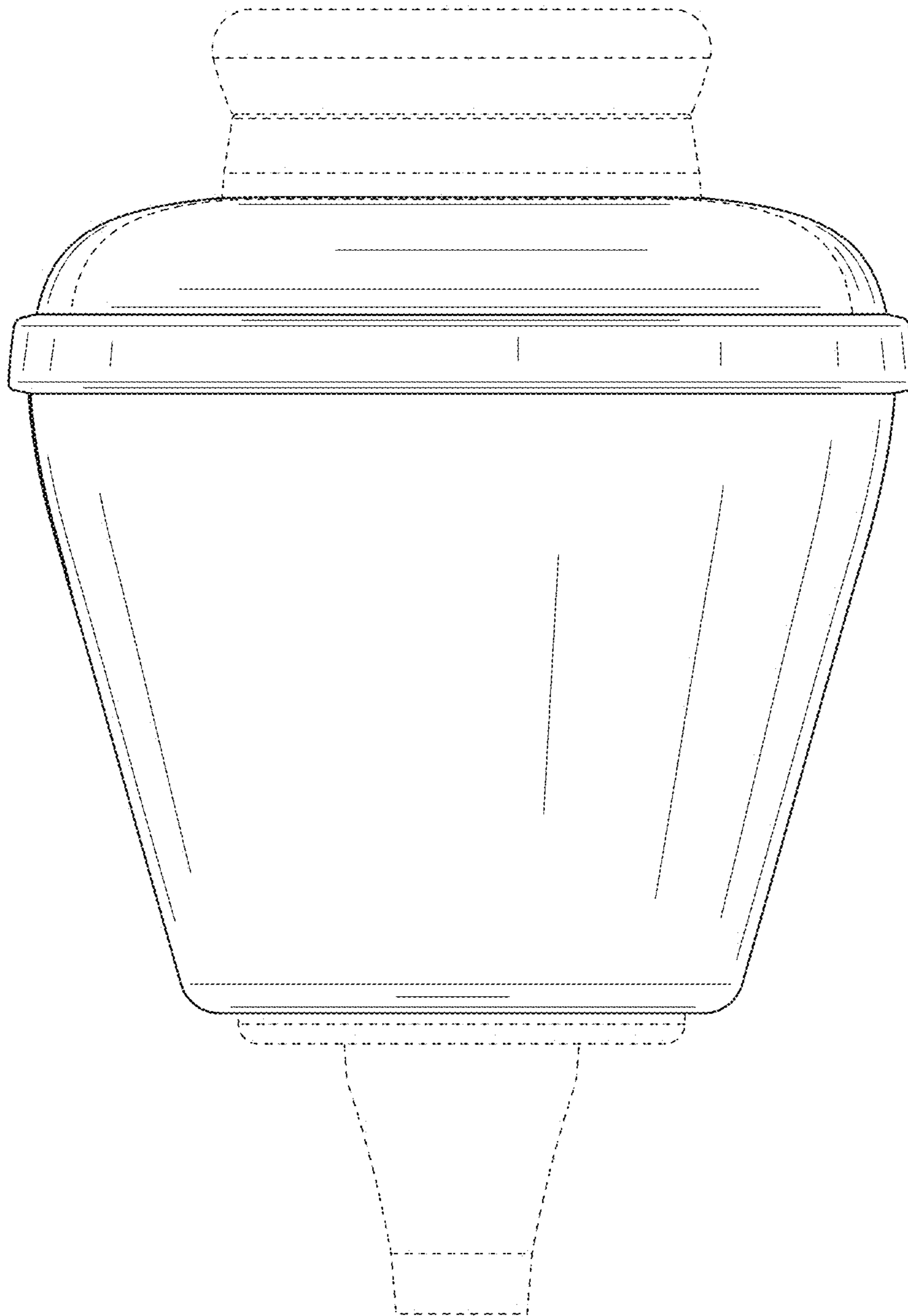


FIG. 7

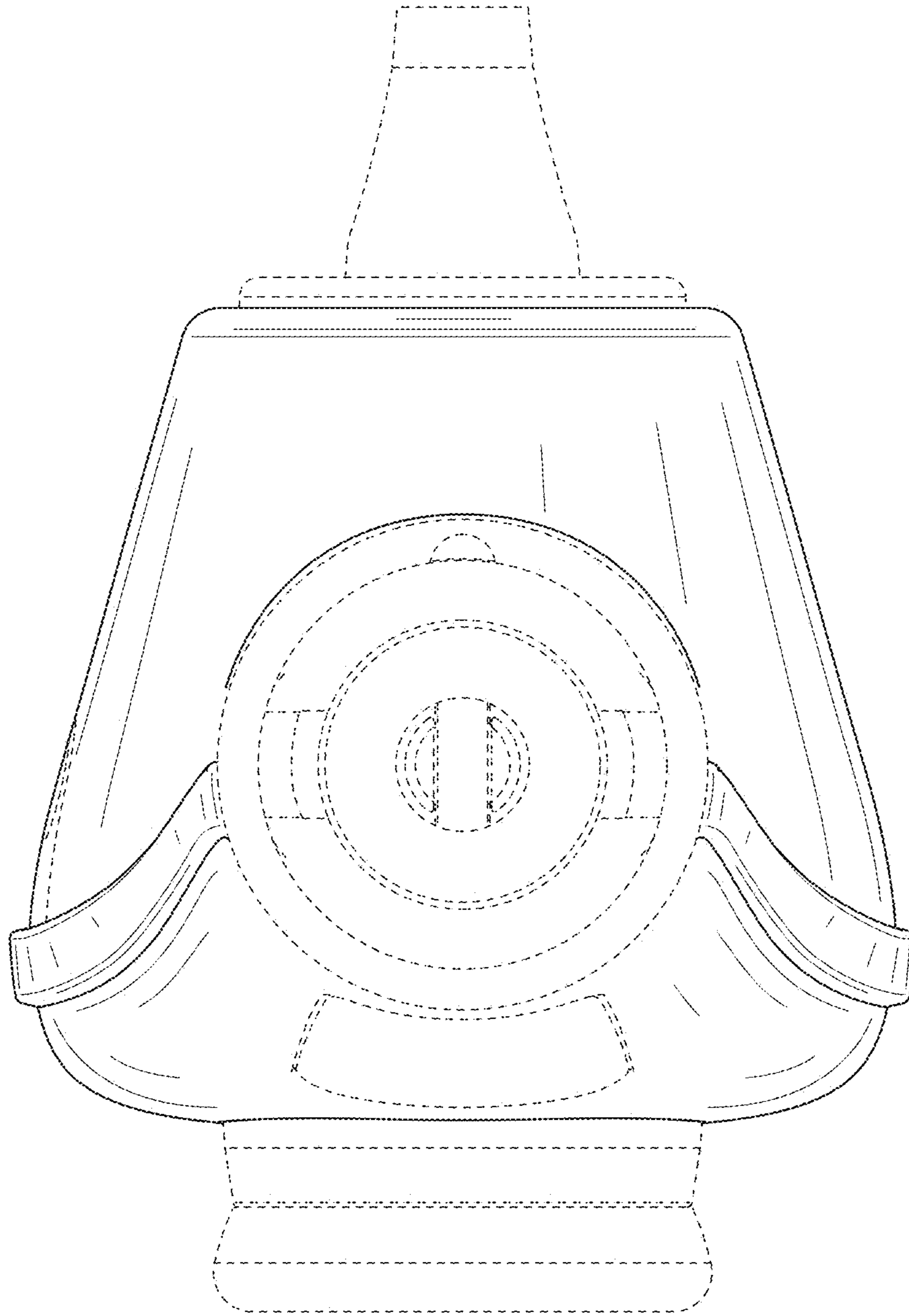


FIG. 8

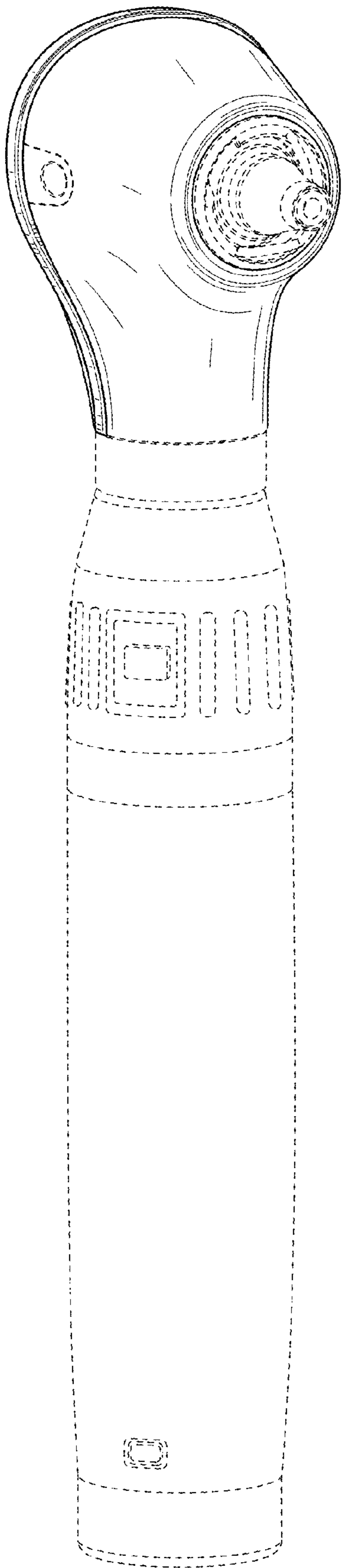


FIG. 9

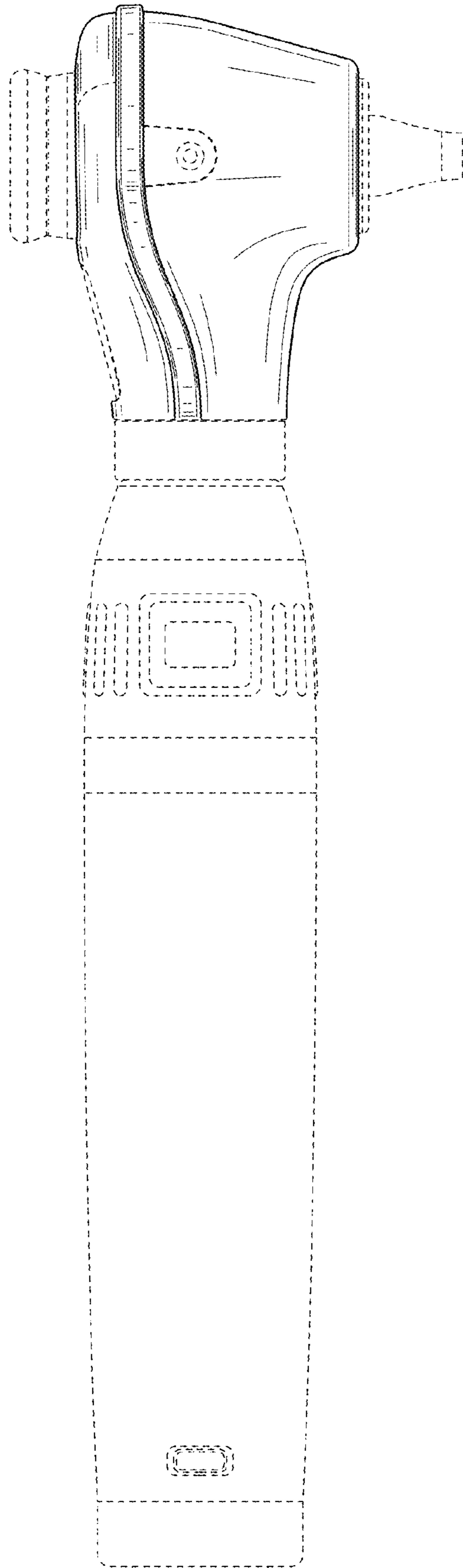


FIG. 10

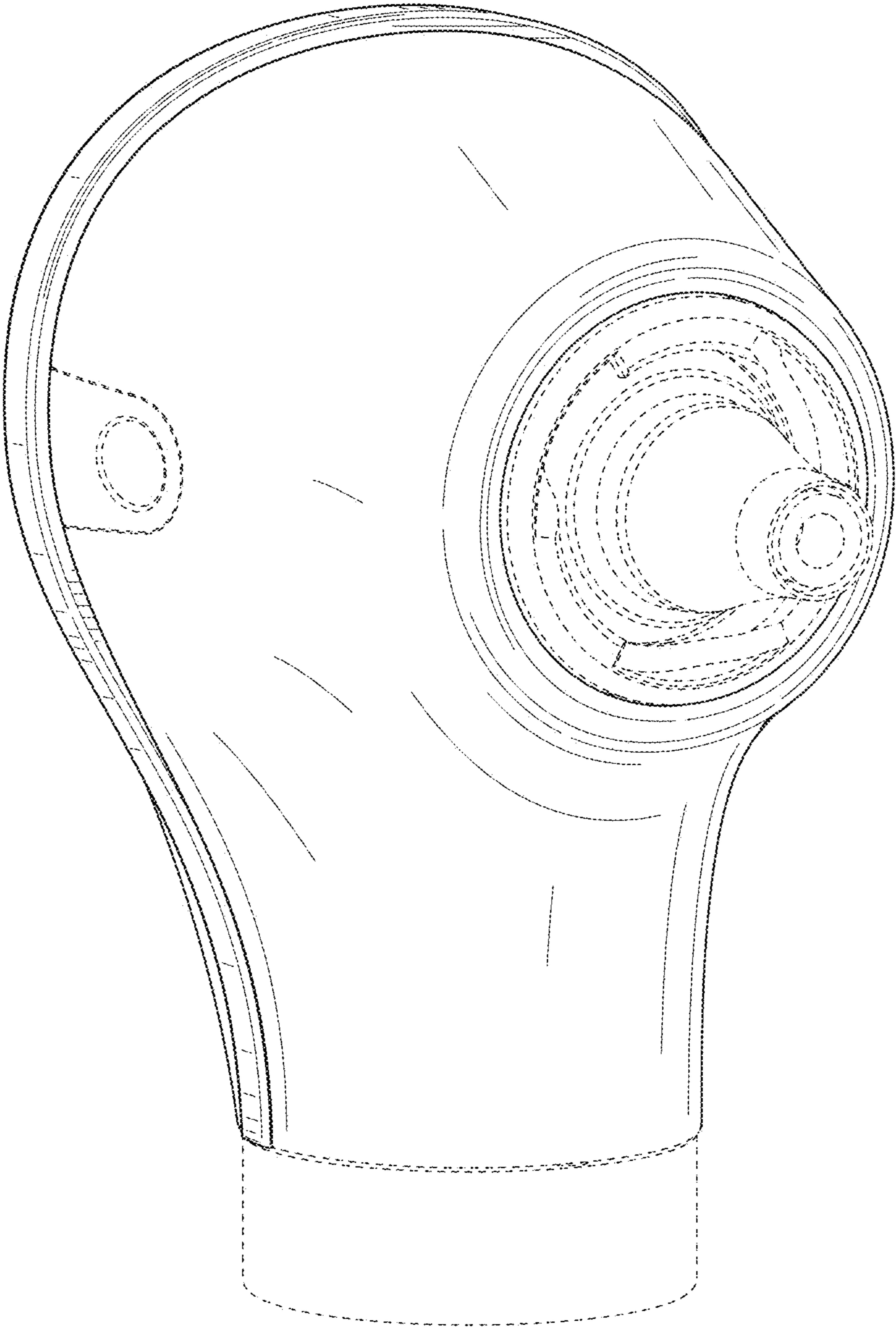


FIG. 11

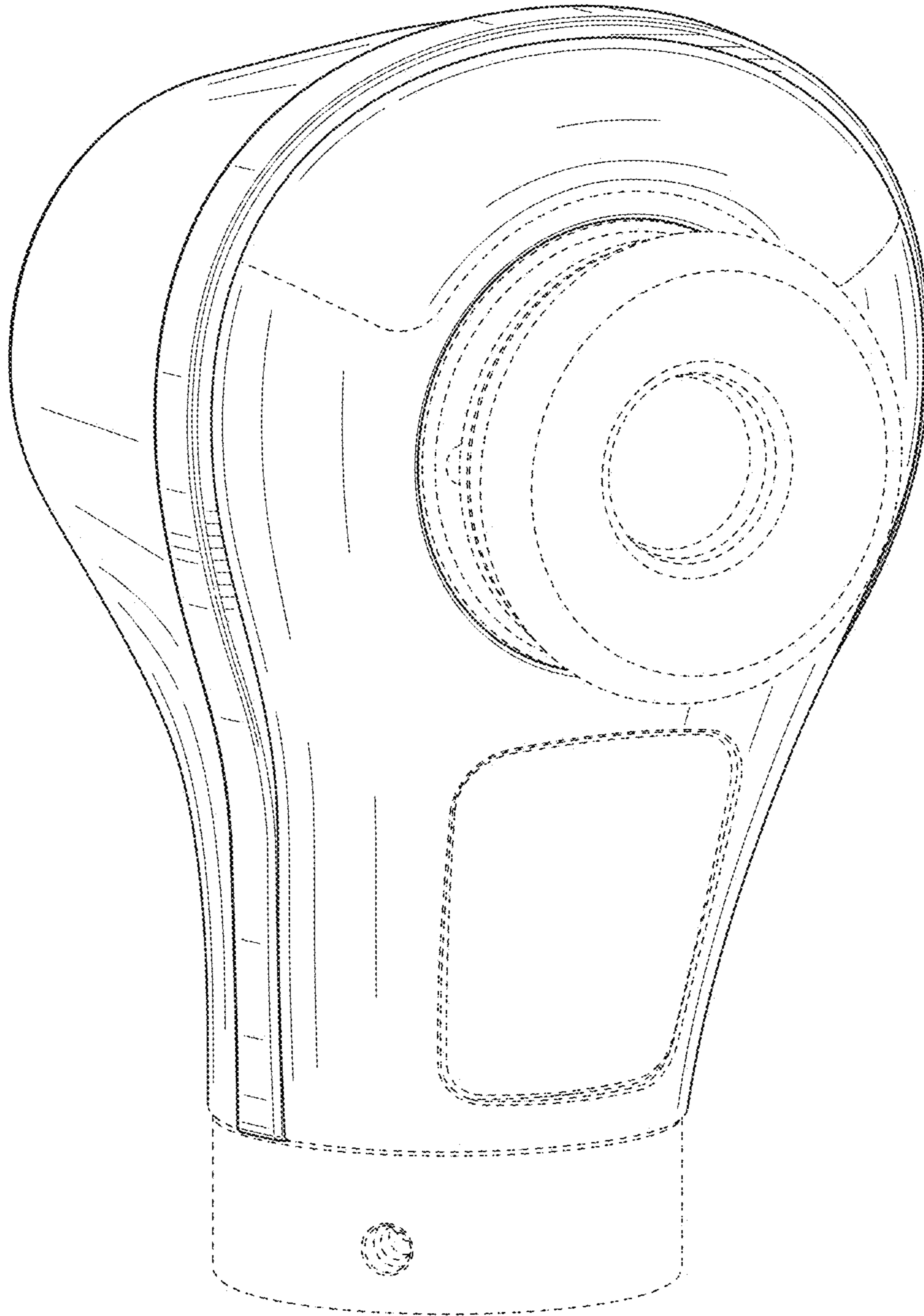


FIG. 12

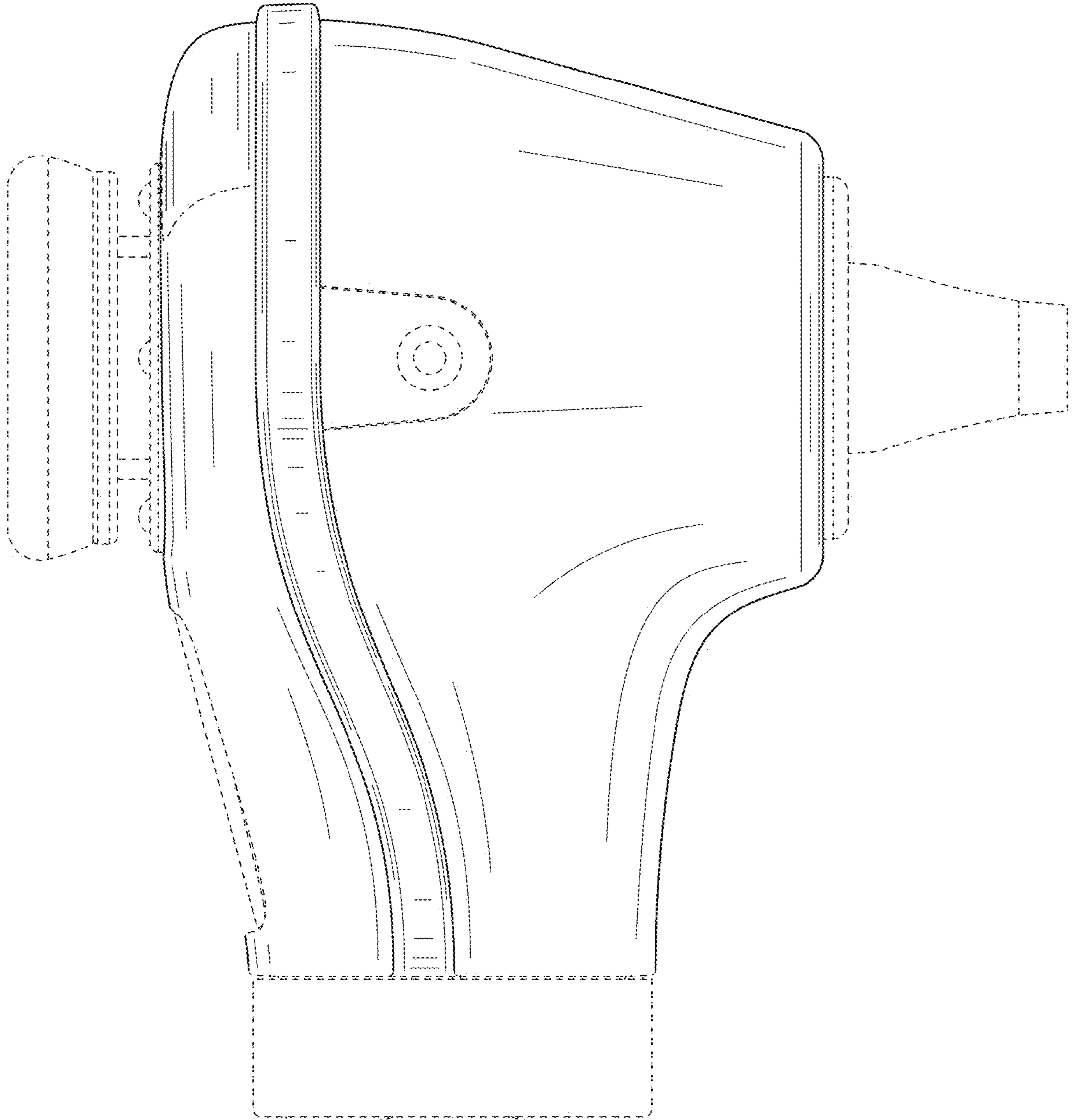


FIG. 13

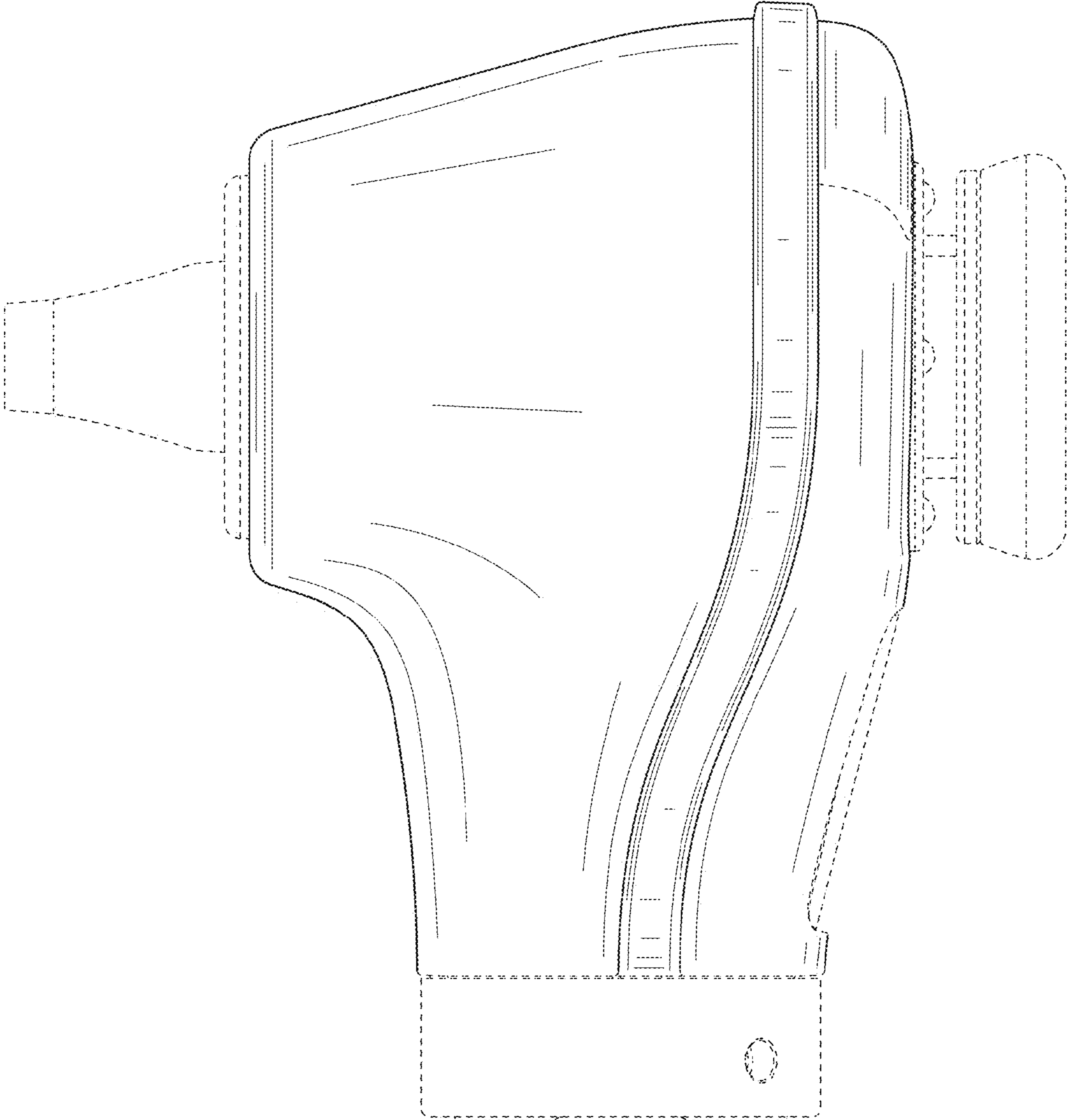


FIG. 14

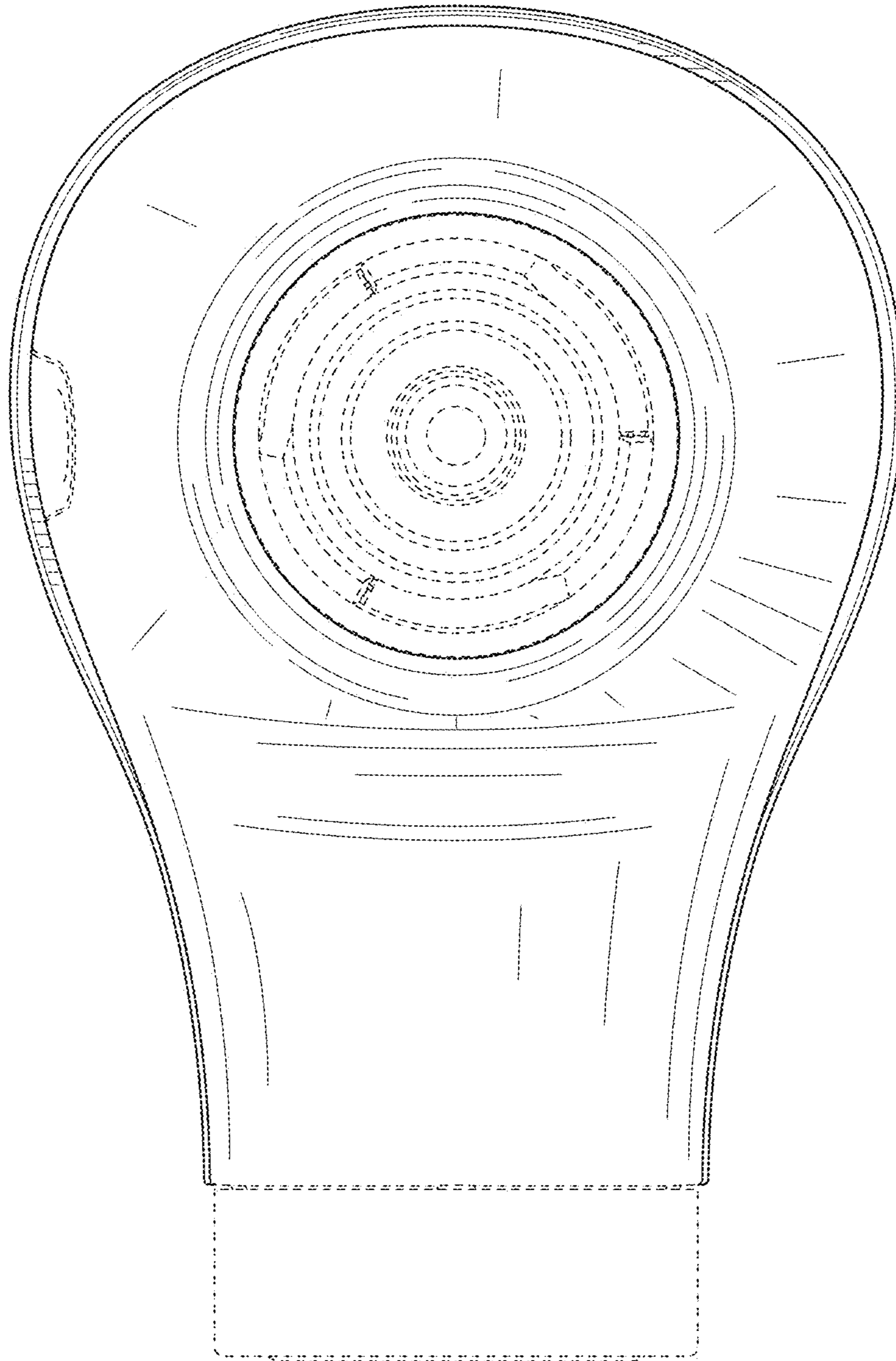


FIG. 15



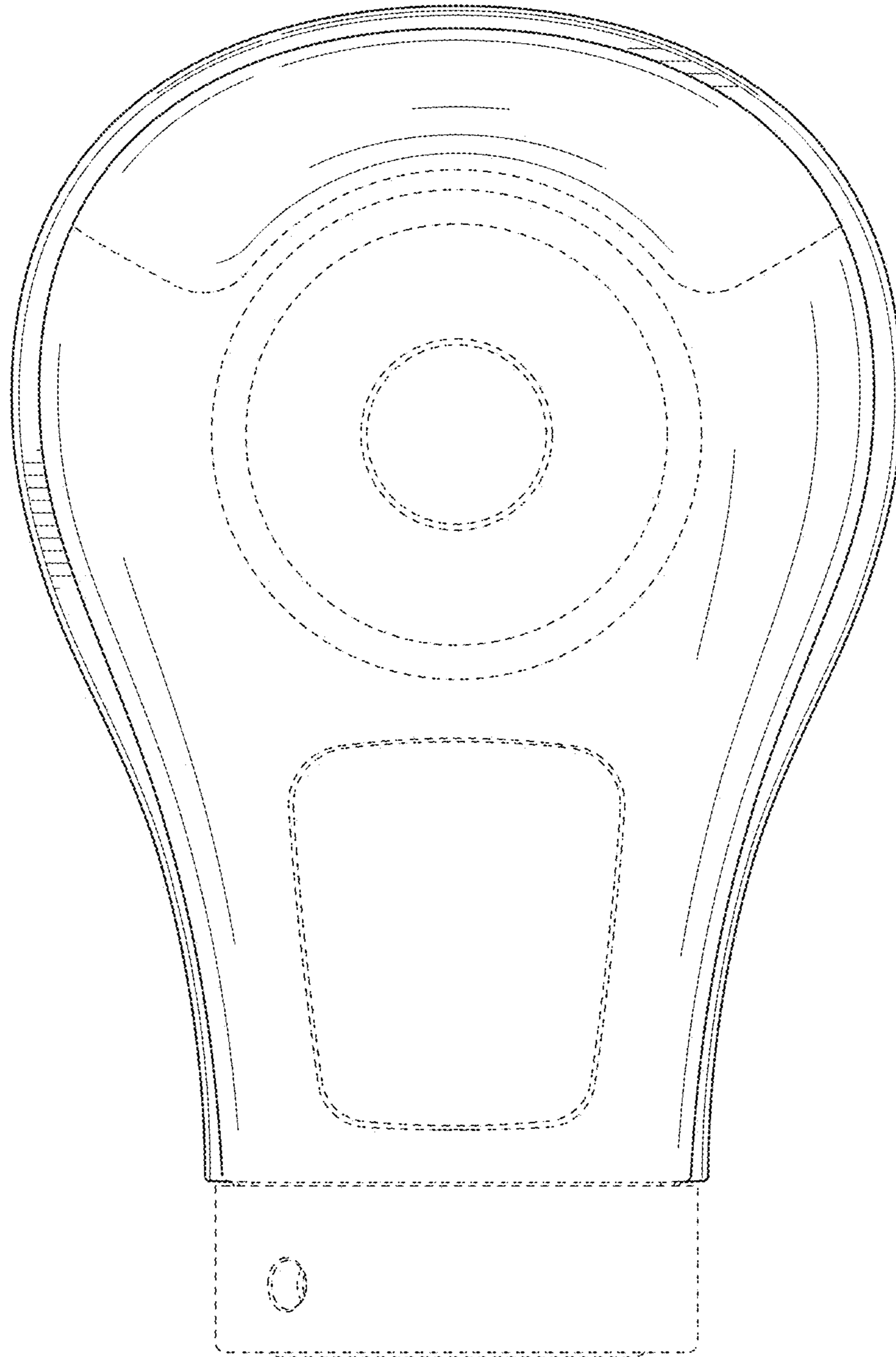


FIG. 16

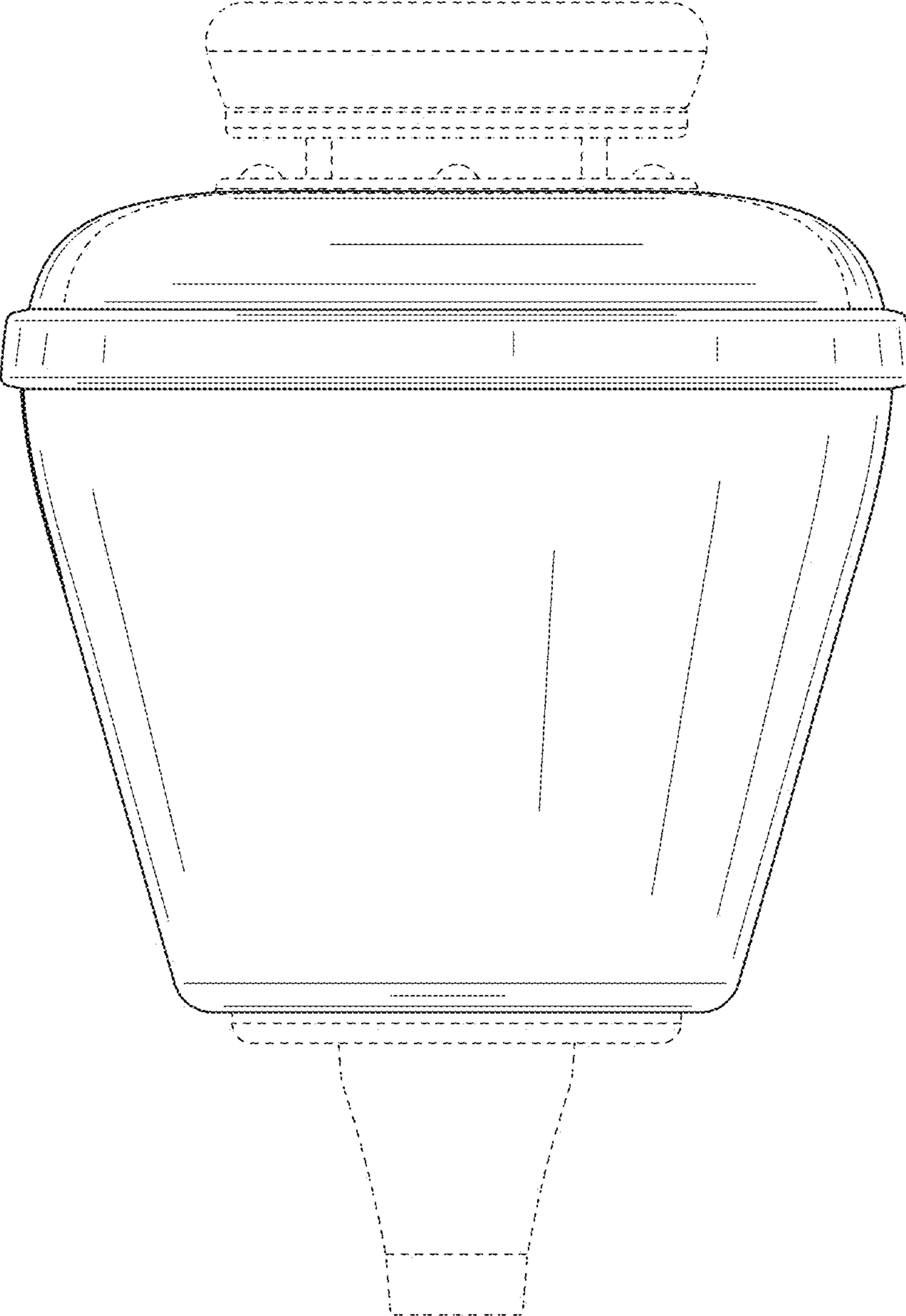


FIG. 17

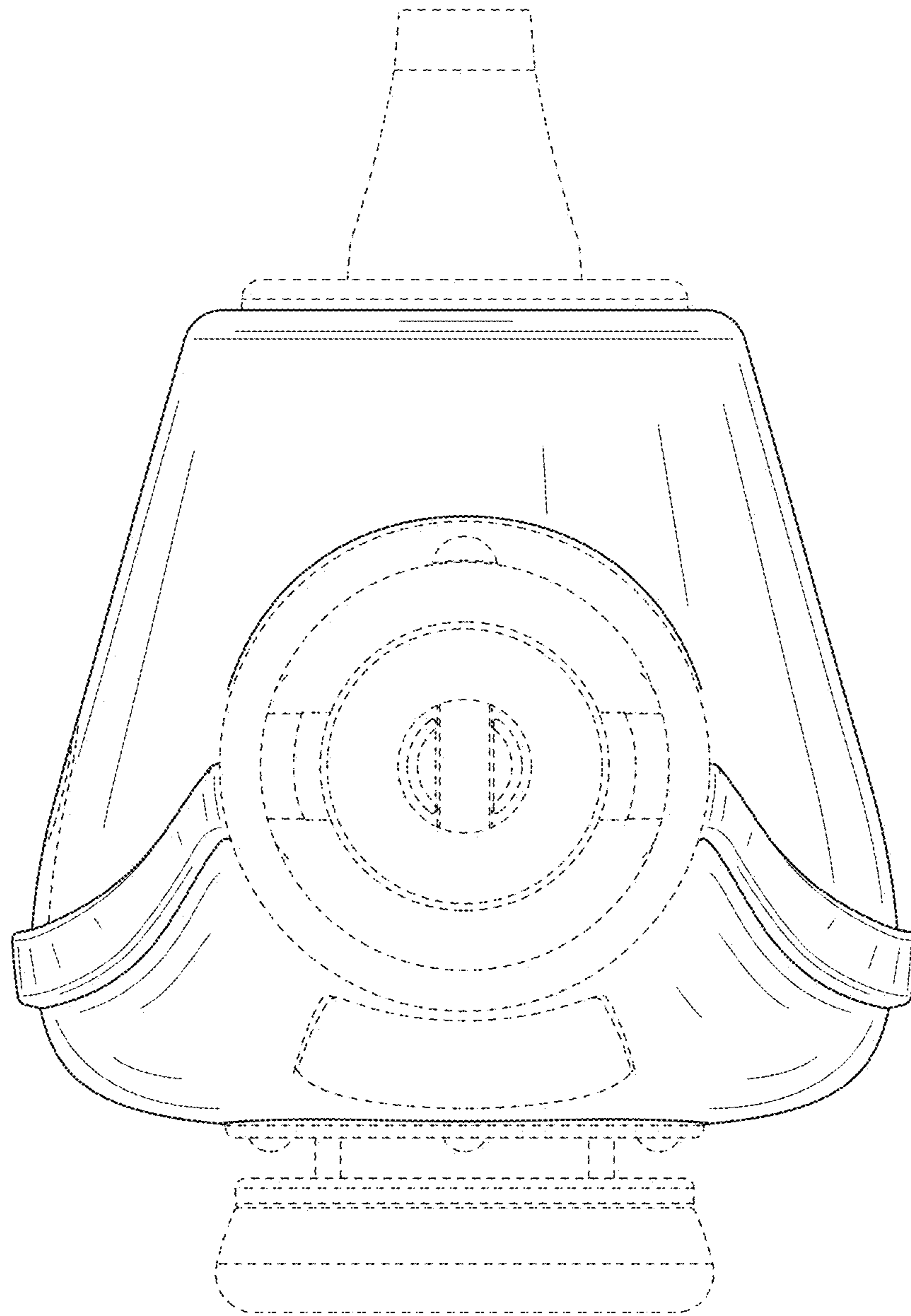


FIG. 18

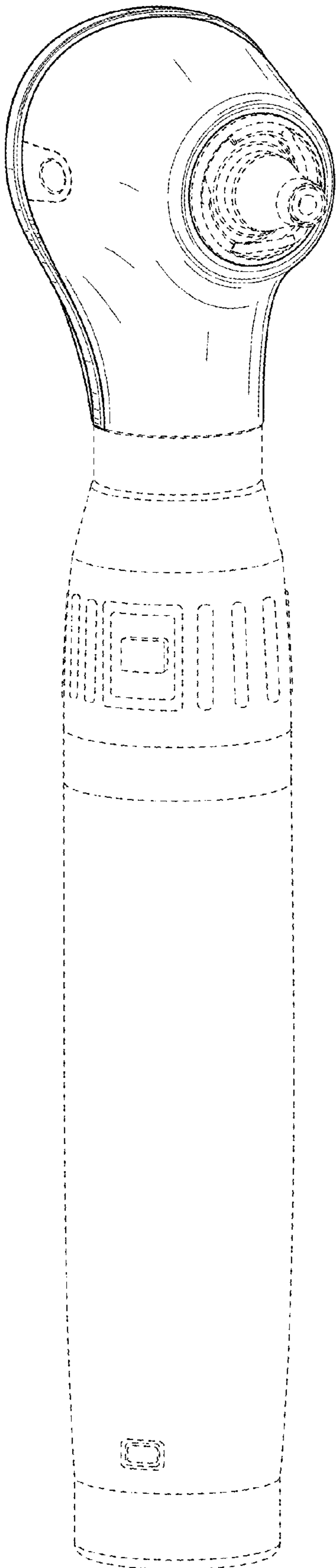


FIG. 19

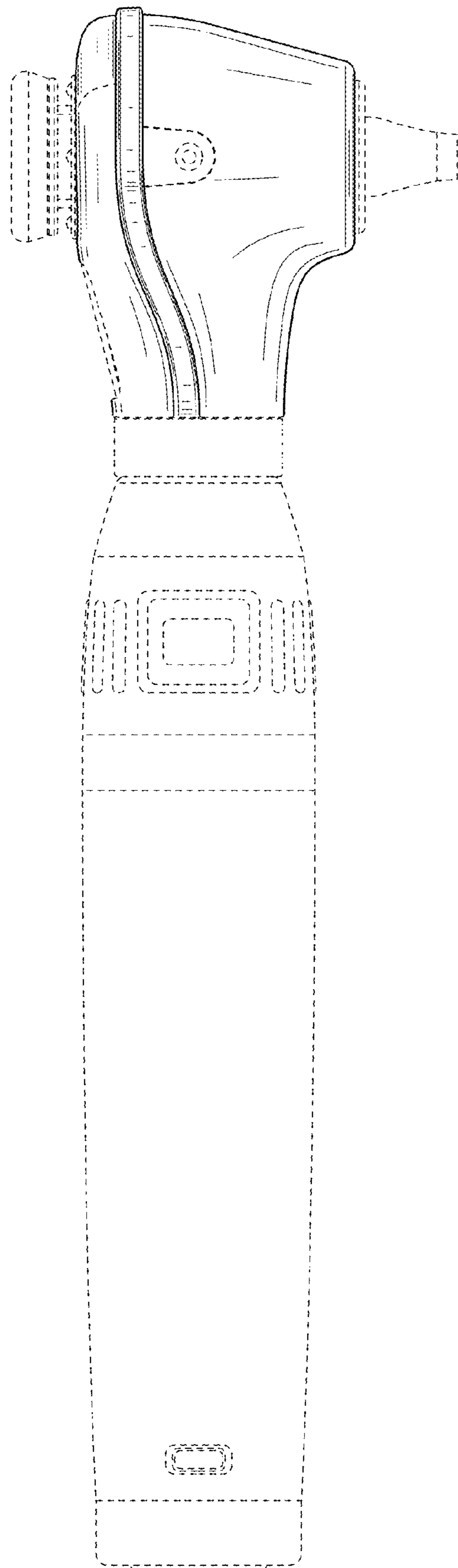


FIG. 20