



US00D905239S

(12) **United States Design Patent** (10) **Patent No.:** **US D905,239 S**  
**Englert et al.** (45) **Date of Patent:** **\*\* Dec. 15, 2020**

(54) **MEDICAL VIEWING DEVICE**  
(71) Applicant: **Welch Allyn, Inc.**, Skaneateles Falls, NY (US)  
(72) Inventors: **Robert S. Englert**, Skaneateles Falls, NY (US); **Alan S. Knieriem**, Skaneateles Falls, NY (US); **Steven R. Slawson**, Skaneateles Falls, NY (US); **Timothy R. Fitch**, Skaneateles Falls, NY (US); **Michael T. McMahon**, Skaneateles Falls, NY (US); **David Perkins**, Skaneateles Falls, NY (US)  
(73) Assignee: **WELCH ALLYN, INC.**, Skaneateles Falls, NY (US)  
(\*\*) Term: **15 Years**  
(21) Appl. No.: **29/676,212**  
(22) Filed: **Jan. 9, 2019**

**Related U.S. Application Data**

(63) Continuation of application No. 29/654,308, filed on Jun. 22, 2018.  
(51) **LOC (12) Cl.** ..... **24-02**  
(52) **U.S. Cl.**  
USPC ..... **D24/137**  
(58) **Field of Classification Search**  
USPC ..... D24/138, 137, 172, 133, 144, 145, 146  
CPC ..... A61B 3/1208  
See application file for complete search history.

**References Cited**

**U.S. PATENT DOCUMENTS**

D207,372 S 4/1967 Pulos  
D243,973 S 4/1977 Pulos et al.  
(Continued)

**OTHER PUBLICATIONS**

U.S. Appl. No. 29/650,401, filed Jun. 6, 2018, Knieriem et al.  
(Continued)

*Primary Examiner* — Eliza Z Bennett-Hattan  
(74) *Attorney, Agent, or Firm* — Alston & Bird LLP

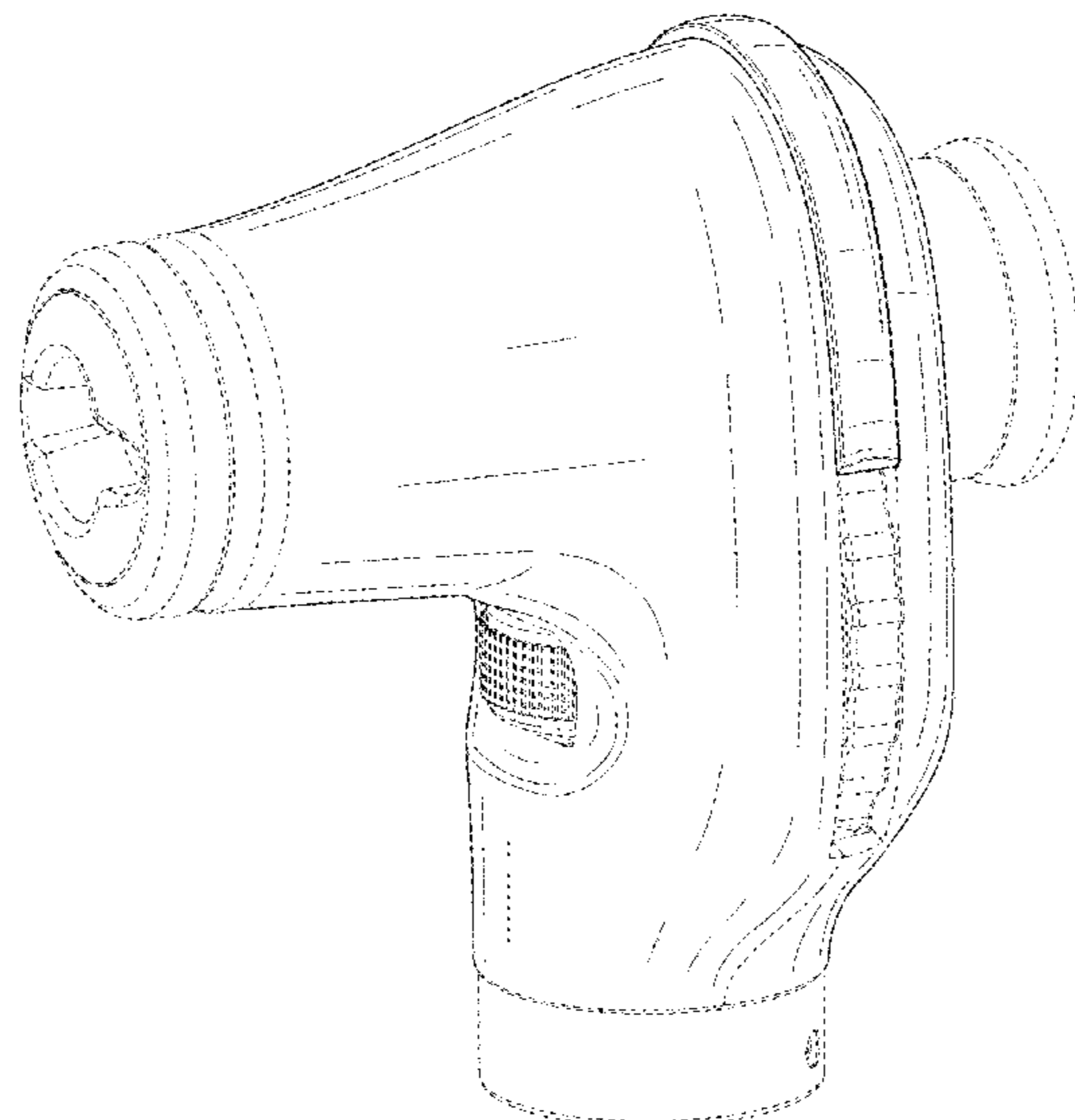
(57) **CLAIM**

The ornamental design for a medical viewing device, as shown and described.

**DESCRIPTION**

FIG. 1 is a perspective view of a medical viewing device showing our new design;  
FIG. 2 is another perspective view thereof;  
FIG. 3 is a left side elevation view thereof;  
FIG. 4 is a right side elevation view thereof;  
FIG. 5 is a front elevation view thereof;  
FIG. 6 is a rear elevation view thereof;  
FIG. 7 is a top plan view thereof;  
FIG. 8 is a bottom plan view thereof;  
FIG. 9 is another perspective thereof shown with an attached handle; and  
FIG. 10 is a perspective view of another embodiment of a medical viewing device showing our new design;  
FIG. 11 is another perspective view thereof;  
FIG. 12 is a left side elevation view thereof;  
FIG. 13 is a right side elevation view thereof;  
FIG. 14 is a front elevation view thereof;  
FIG. 15 is a rear elevation view thereof;  
FIG. 16 is a top plan view thereof;  
FIG. 17 is a bottom plan view thereof; and,  
FIG. 18 is another perspective thereof shown with an attached handle.  
The broken lines immediately adjacent to shaded areas depict boundaries of the claim and form no part of the claimed design. The broken lines of the attached handle in FIGS. 9 and 18 illustrate environment and form no part of the claimed design. All other broken lines depict portions of the medical viewing device that form no part of the claimed design.

**1 Claim, 18 Drawing Sheets**



(56)

References Cited

U.S. PATENT DOCUMENTS

D265,504 S *	7/1982	Nash .....	D24/137
D286,814 S *	11/1986	Brainard, II .....	600/200
D288,960 S *	3/1987	Riester .....	D24/137
D289,197 S *	4/1987	Ware .....	D24/137
5,200,772 A	4/1993	Perkins et al.	
5,202,710 A	4/1993	Perkins	
D377,393 S	1/1997	Sams	
D379,514 S	5/1997	Laun et al.	
D423,668 S	4/2000	Coe	
D429,333 S	8/2000	Sanders et al.	
6,130,520 A	10/2000	Wawro et al.	
D566,270 S	4/2008	Strom et al.	
D566,838 S	4/2008	Slawson et al.	
D594,555 S	6/2009	Hsu	
D618,794 S	6/2010	Onuma	
D619,708 S	7/2010	Ellman	
7,862,173 B1	1/2011	Ellman	
D635,257 S *	3/2011	Ellman .....	D24/137
8,459,844 B2	6/2013	Lia et al.	
D709,191 S	7/2014	Wood et al.	
D760,388 S	6/2016	Slawson et al.	
D760,895 S	7/2016	McMahon et al.	
D776,809 S	1/2017	Vallee et al.	
2004/0039251 A1	2/2004	Roberts et al.	

OTHER PUBLICATIONS

U.S. Appl. No. 29/676,213, filed Jan. 9, 2019, Knieriem et al.  
 3.5 V Diagnostic Oscopes [online] [retrieved Jun. 10, 2014].  
 Retrieved from the Internet: <URL:http://intl.welchallyn.com/apps/

products/product.jsp?id=11-ac-100-000000001141>. (2011) 1 page.  
 3.5 V Standard Ophthalmoscope [online] [retrieved Jun. 10, 2014].  
 Retrieved from the Internet: <URL:http://intl.welchallyn.com/apps/  
 products/product.jsp?id=11-ac-100-000000001137>. (2011) 1 page.  
 PocketScope Ophthalmoscope [online] [retrieved Jun. 10, 2014].  
 Retrieved from the Internet: <URL:http://intl.welchallyn.com/apps/  
 products/product.jsp?id=11-ac-100-000000001139>. (2011) 1 page.  
 PocketScope Oscope with Throat Illuminator [online] [retrieved  
 Jun. 10, 2014]. Retrieved from the Internet: <URL:http://intel.  
 welchallyn.com/apps/products/product.jsp?id=11-ac-100-  
 000000001148. (2011) 1 page.  
 Welch Allyn 2.5v PocketScope Ophthalmoscope with AA Handle  
 (Model 12820) [online] [retrieved Jun. 10, 2014]. Retrieved from  
 the Internet: <URL: http://www.amazon.com/Welch-allyn-PocketScope-  
 Ophthalmoscope-Handle/dp/B002MBRHROQ/repd\_sim\_sbs\_hpc\_  
 1?ie=UTF8&refRID=0KV7EFBWEAQ08K . . . >, (undated) 2  
 pages.  
 Welch Allyn Oscope/opthalmoscope Diagnostic Set MOD 95001  
 [online] [retrieved Jun. 10, 2014]. Retrieved from the Internet:  
 <URL:http://www.amazon.com/Welch-Allyn-opthalmoscope-  
 MOD95001/dp/BOOORJXUDS/ref=pd\_sxp\_grid\_pt\_0\_1>. (undated)  
 2 pages.  
 Welch Allyn PocketScope Oscope w/“AA” Handle and Soft Case,  
 1/Ea, 22821 [online] [retrieved Jun. 10, 2014]. Retrieved from the  
 Internet: <URL:http://www.amazon.com/Welch-Allyn-PocketScope-  
 Oscope-22821/dp/BOOOROJ8UW/re-pd\_sim\_hpc\_3?ie=UTF8  
 &refRID=13090GMJV3SHNBVAQPKS>, (undated) 2 pages.

\* cited by examiner

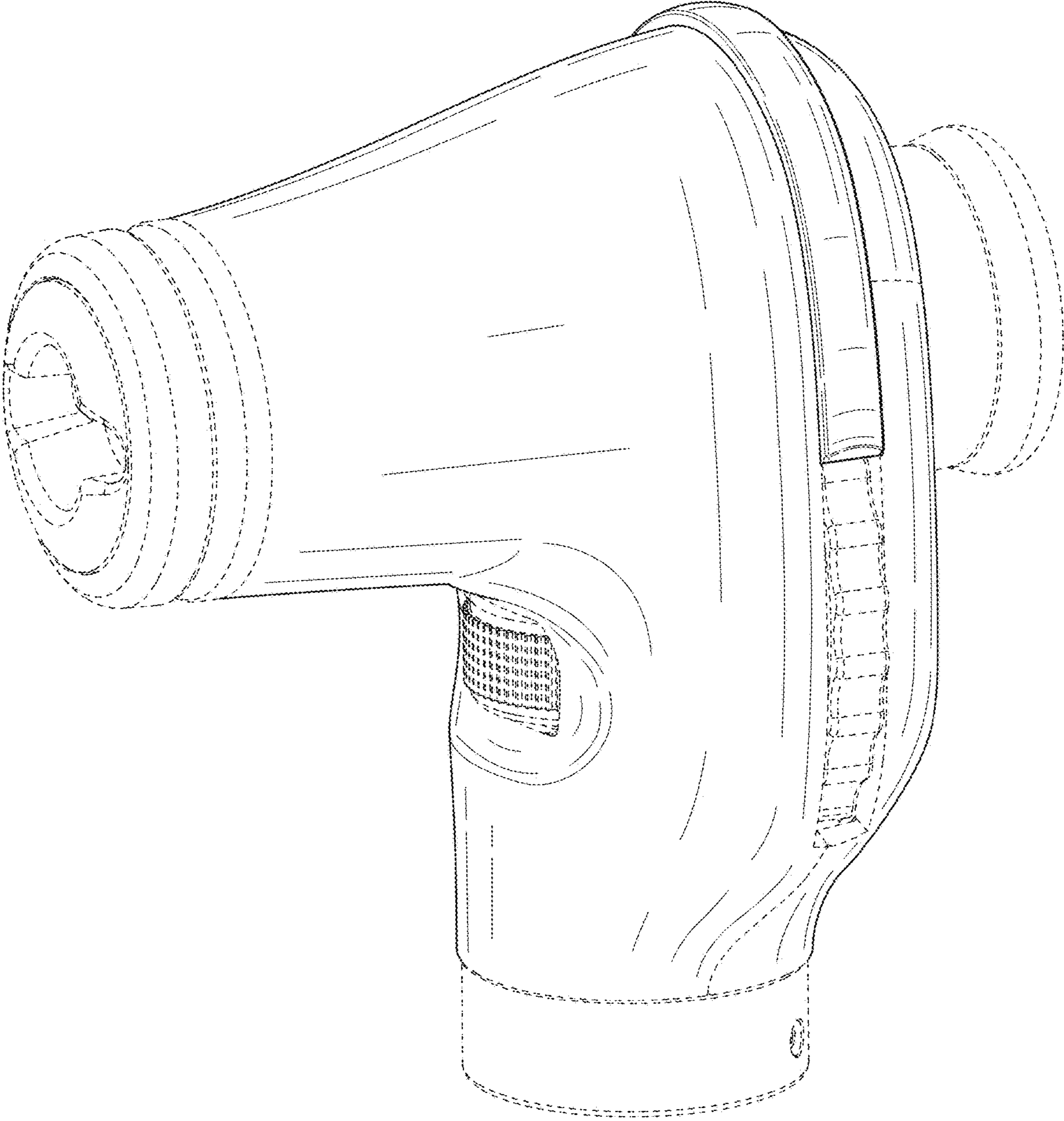


FIG. 1

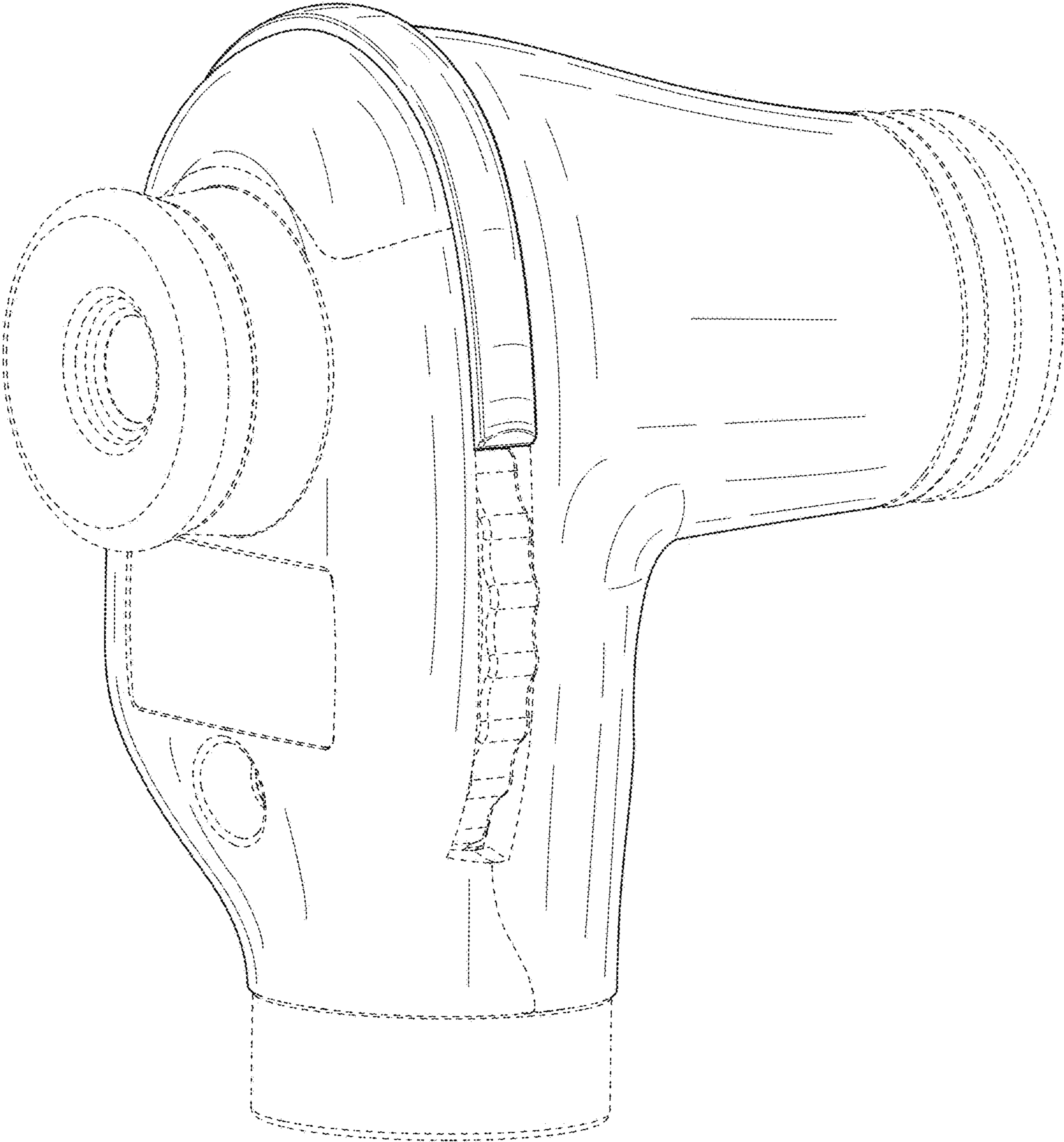


FIG. 2

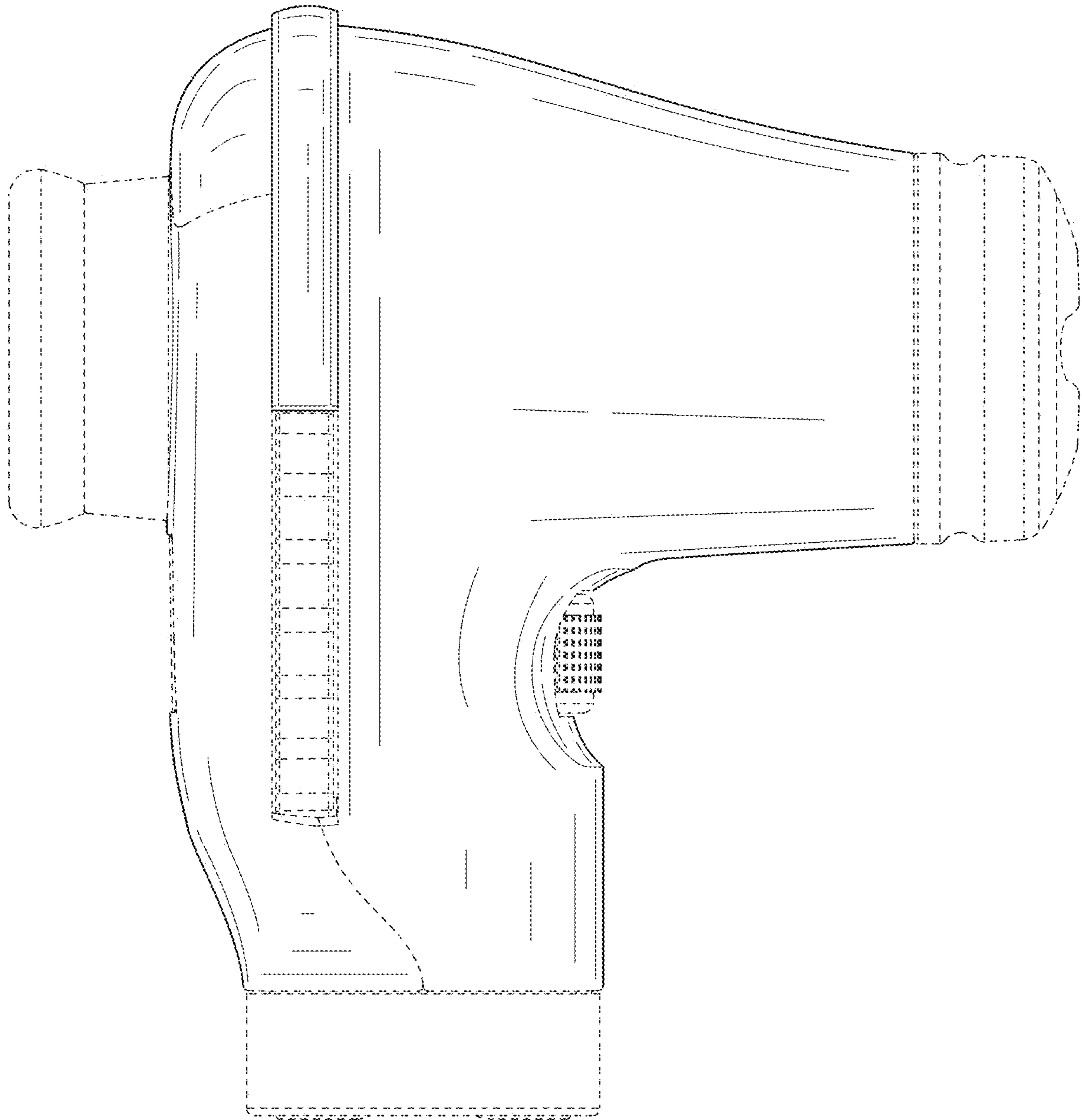


FIG. 3

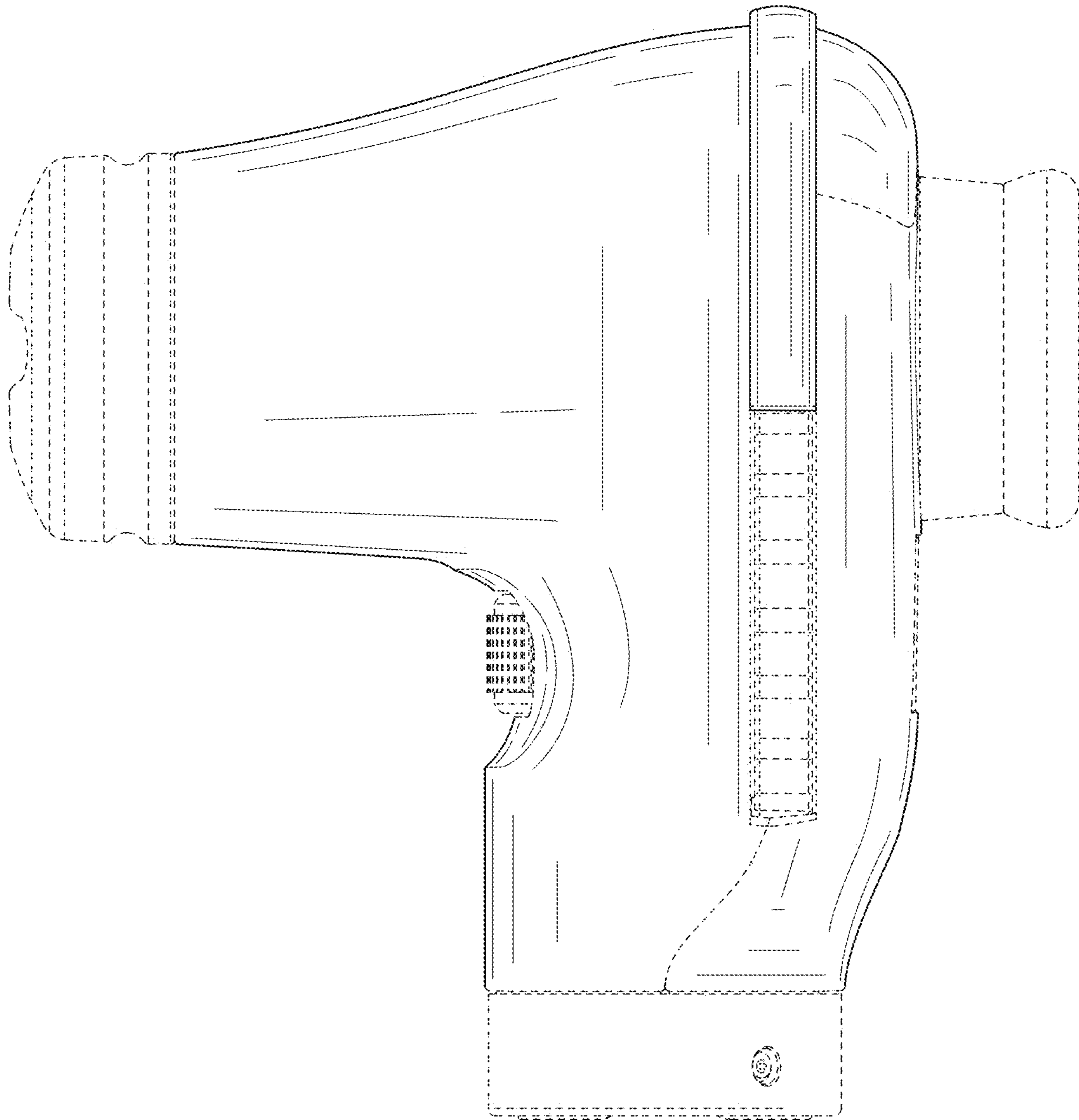


FIG. 4

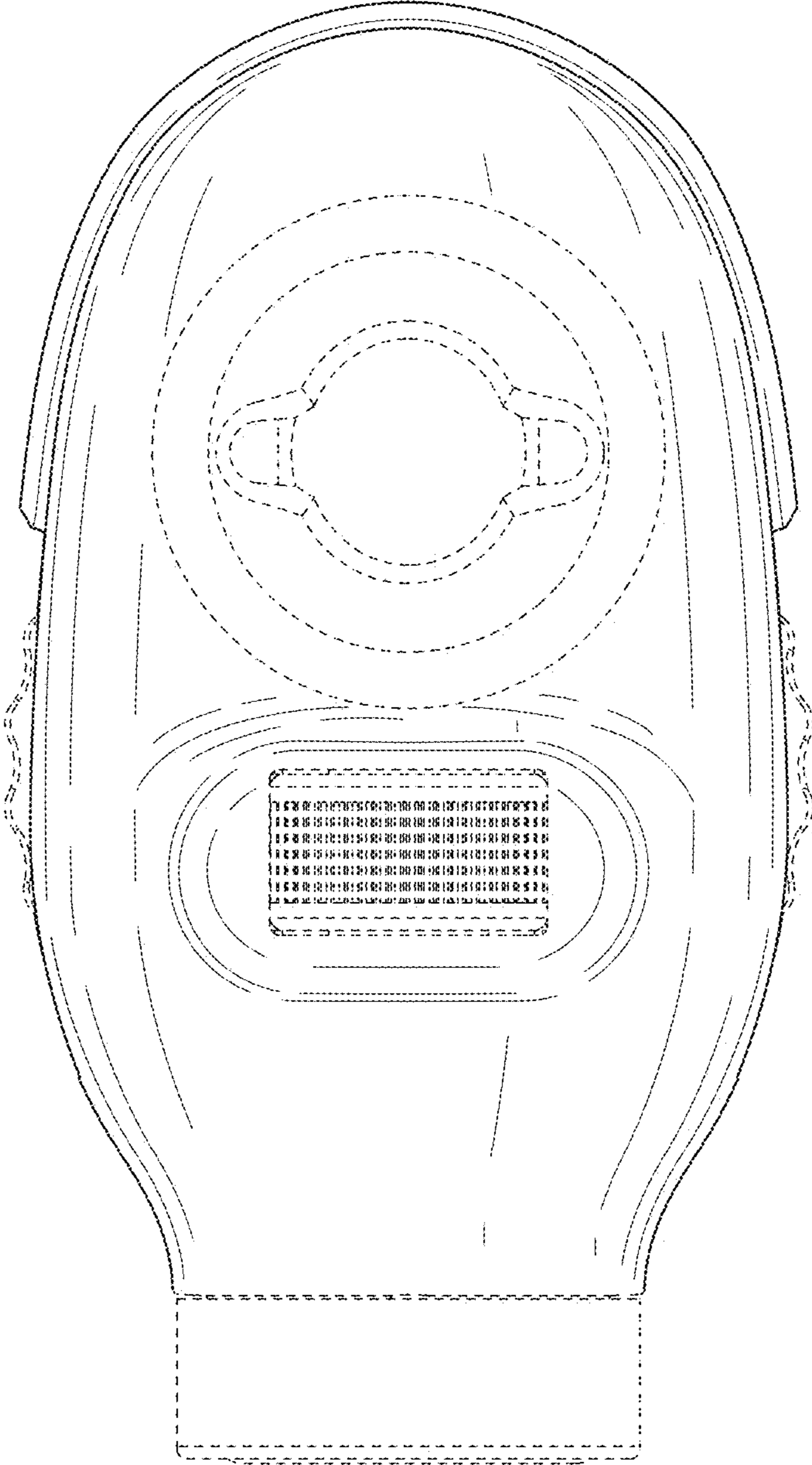


FIG. 5

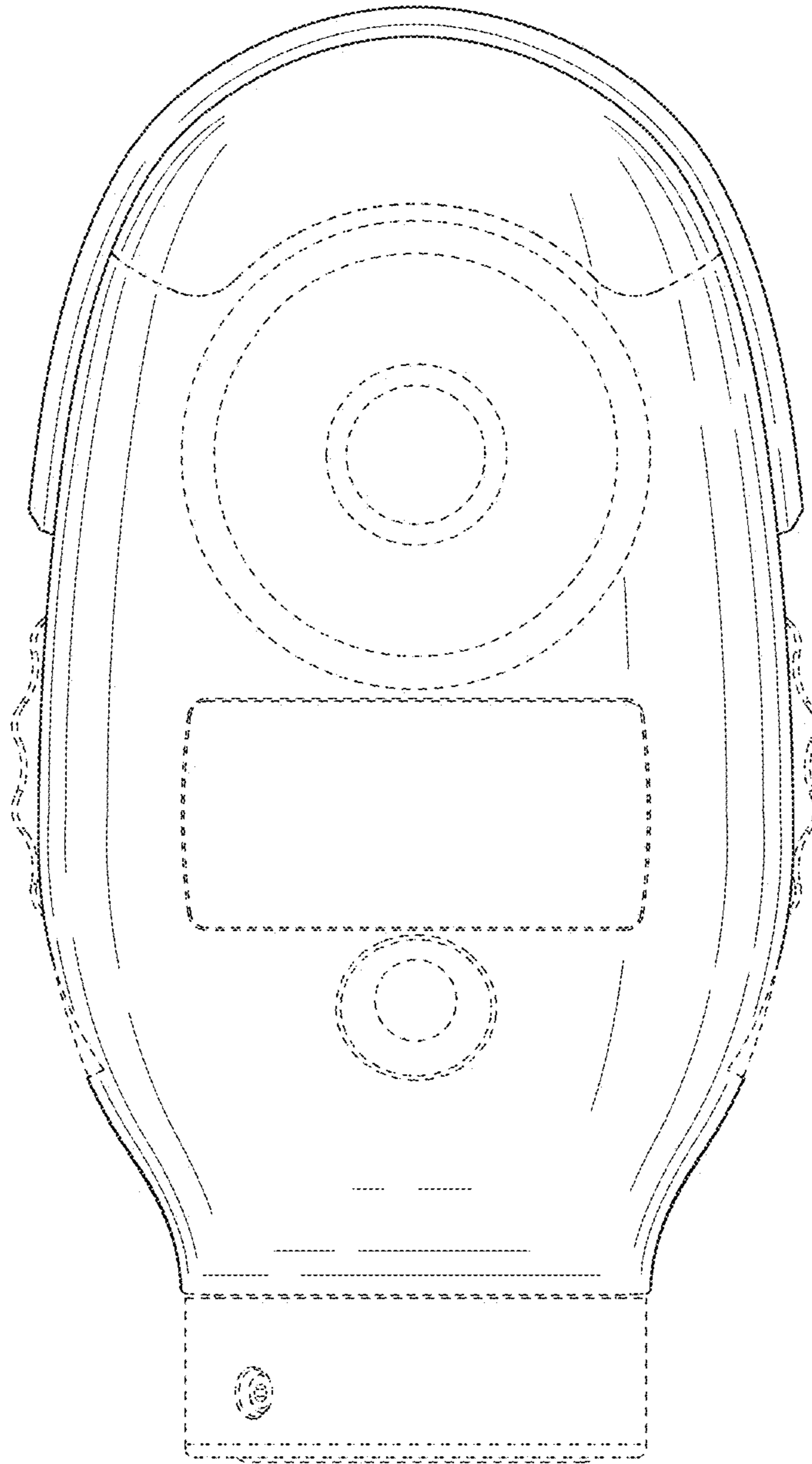


FIG. 6



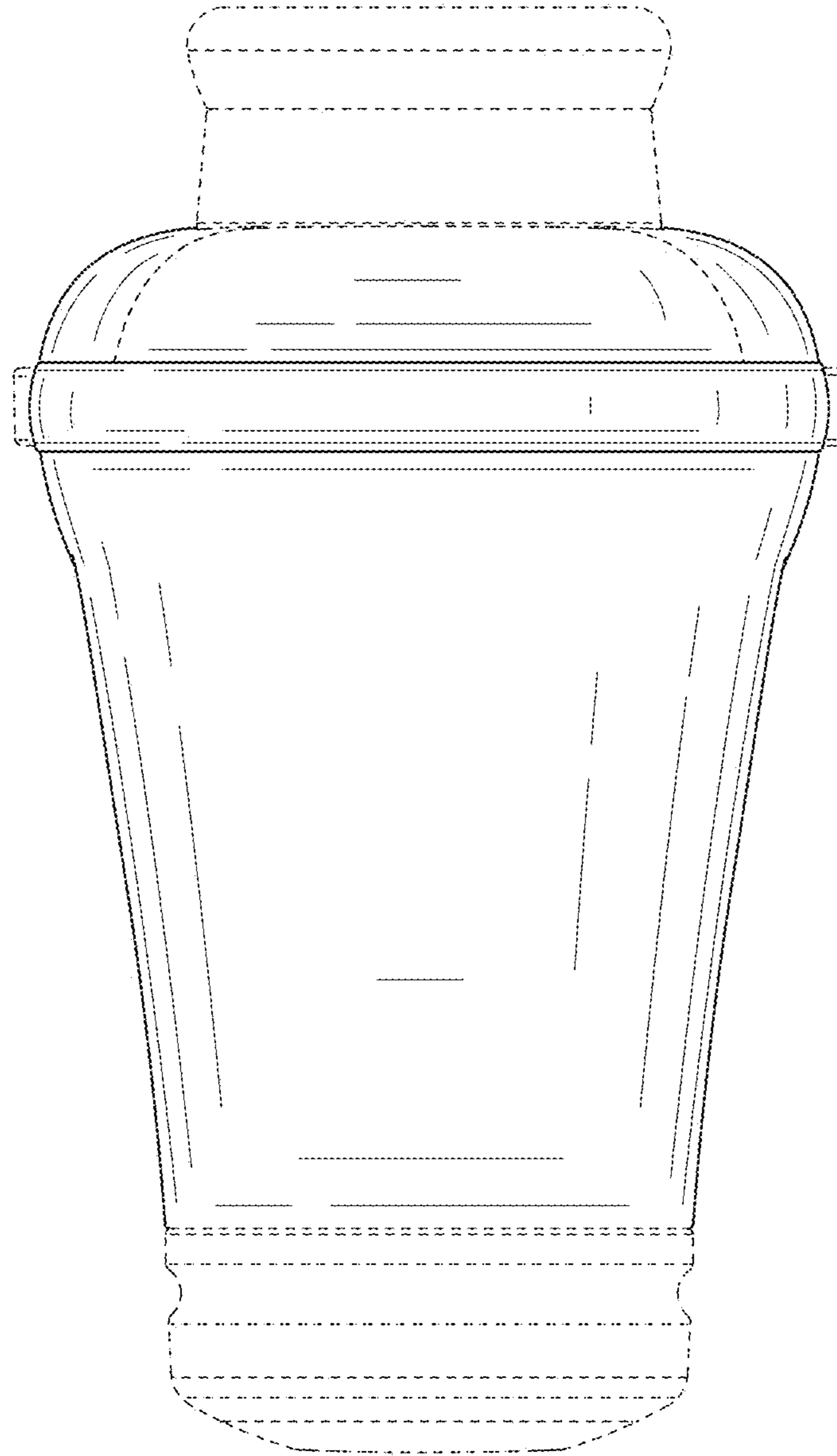


FIG. 7

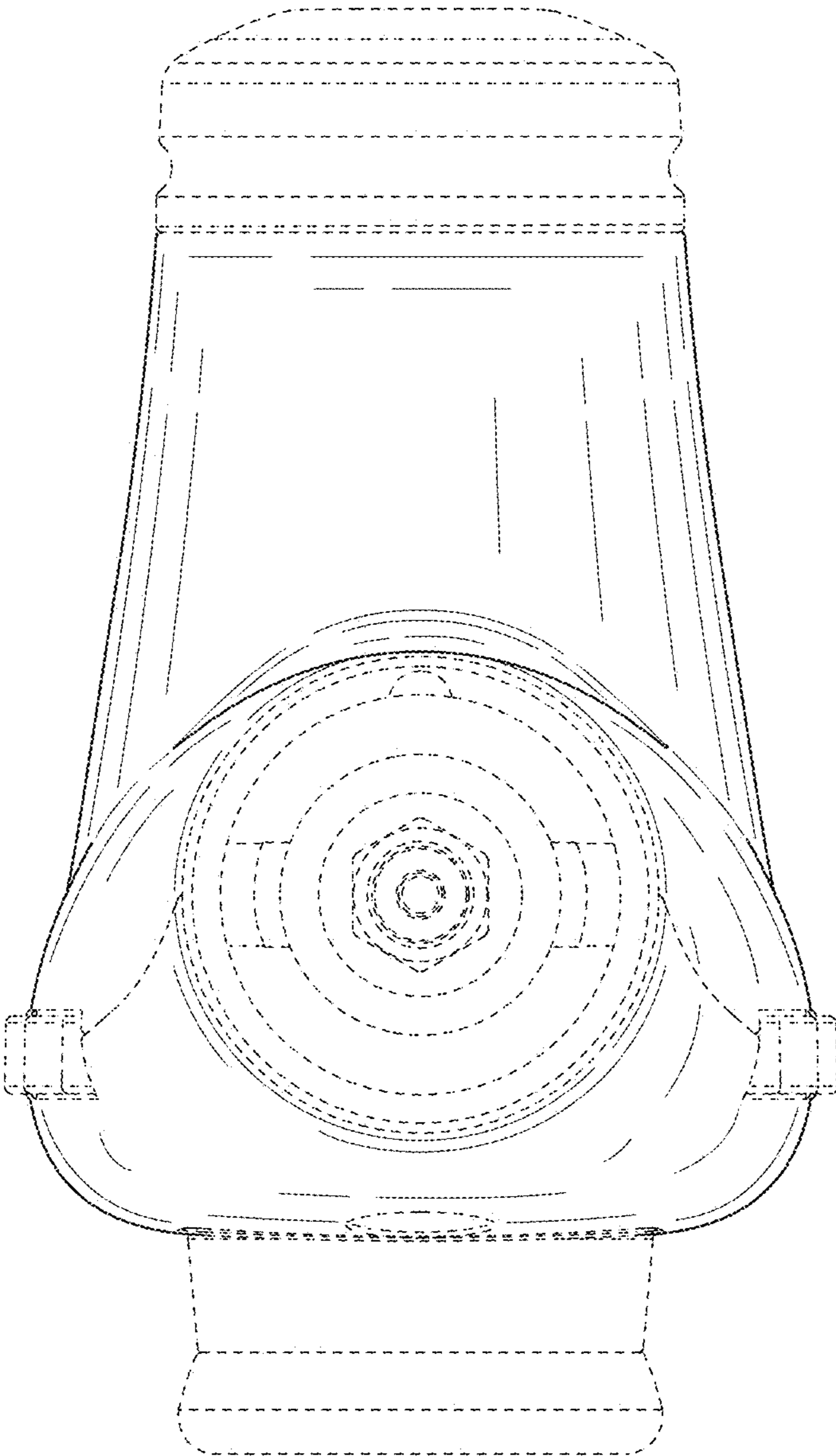


FIG. 8

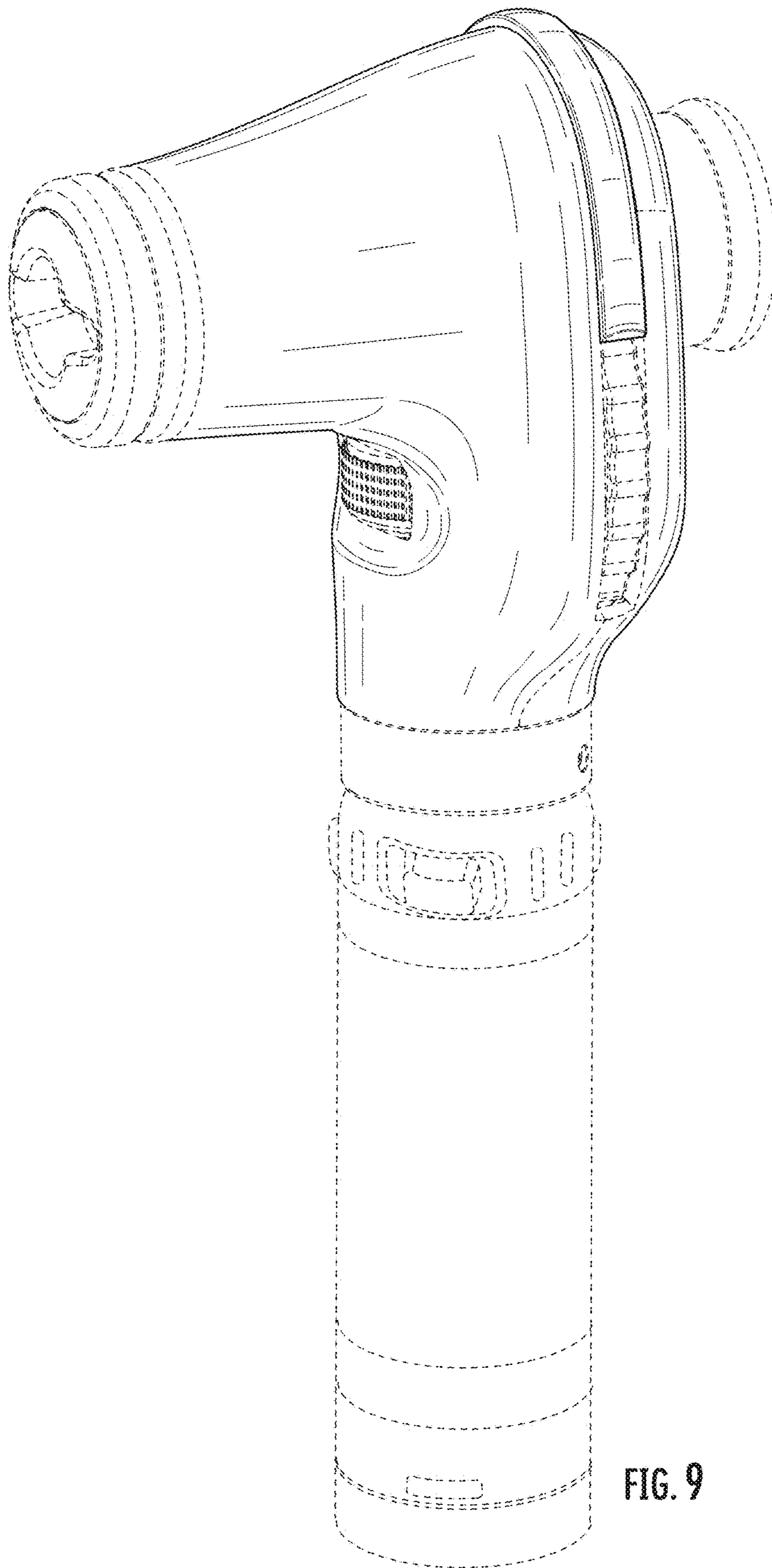


FIG. 9

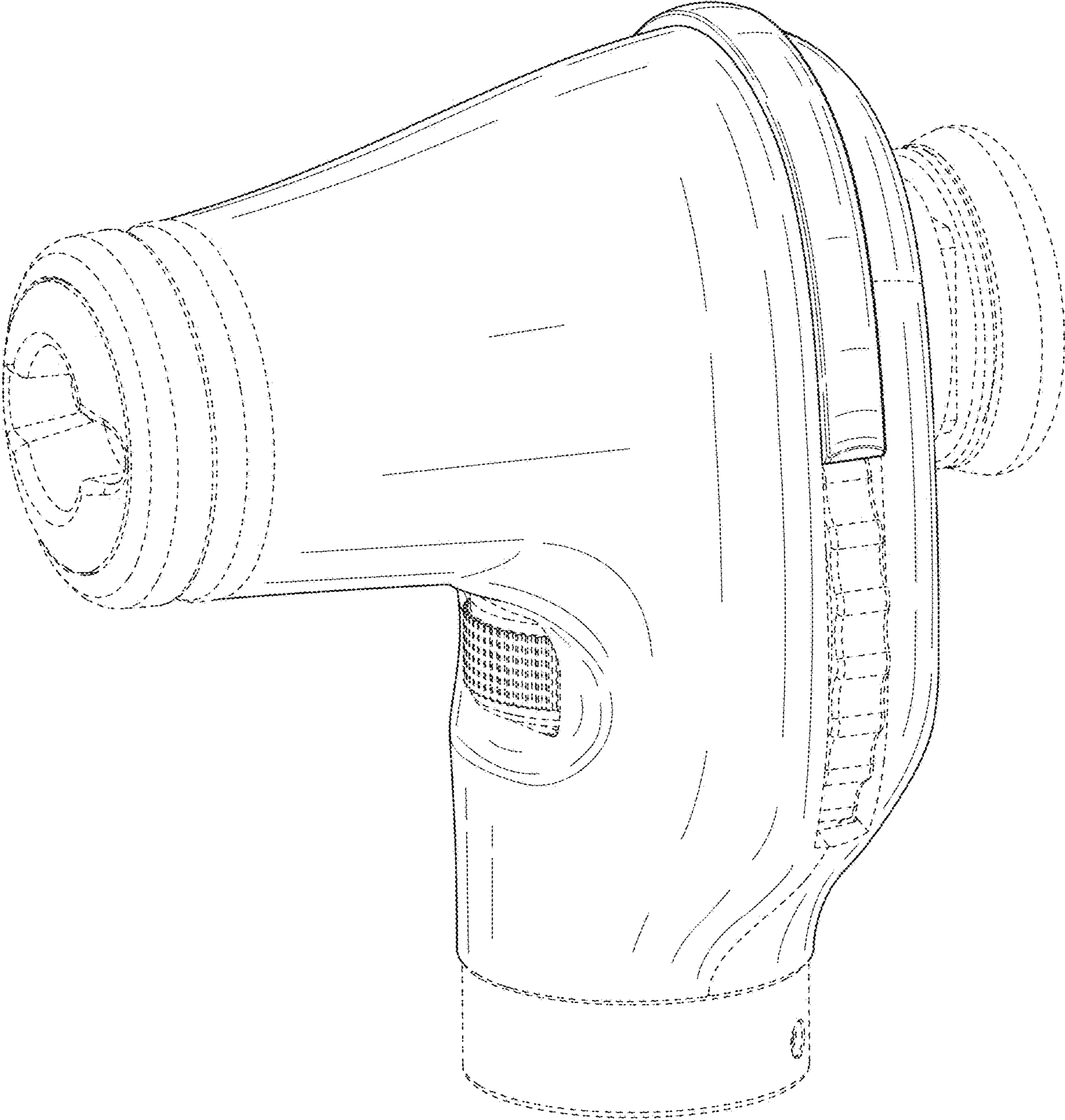


FIG. 10

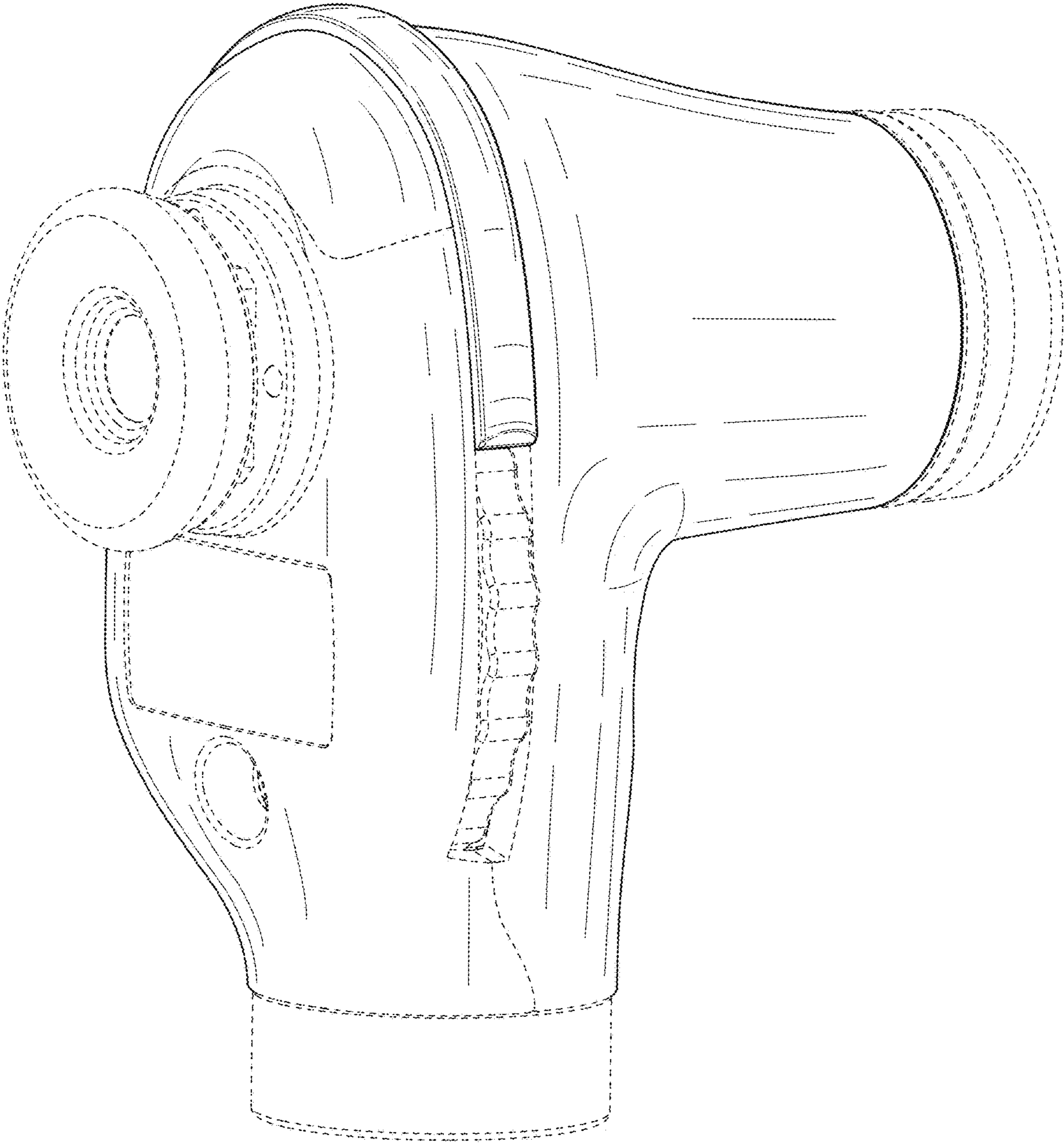


FIG. 11

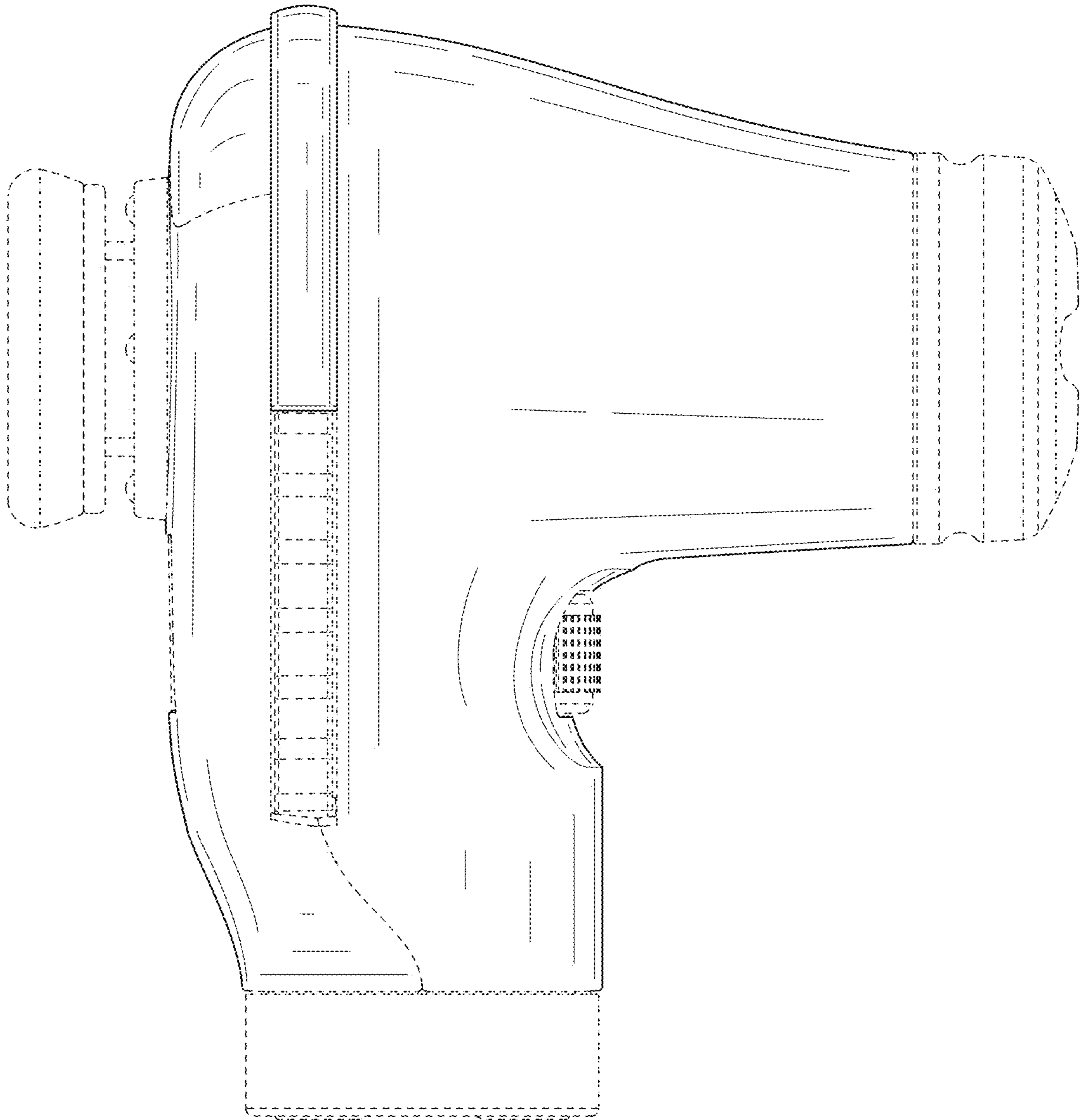


FIG. 12

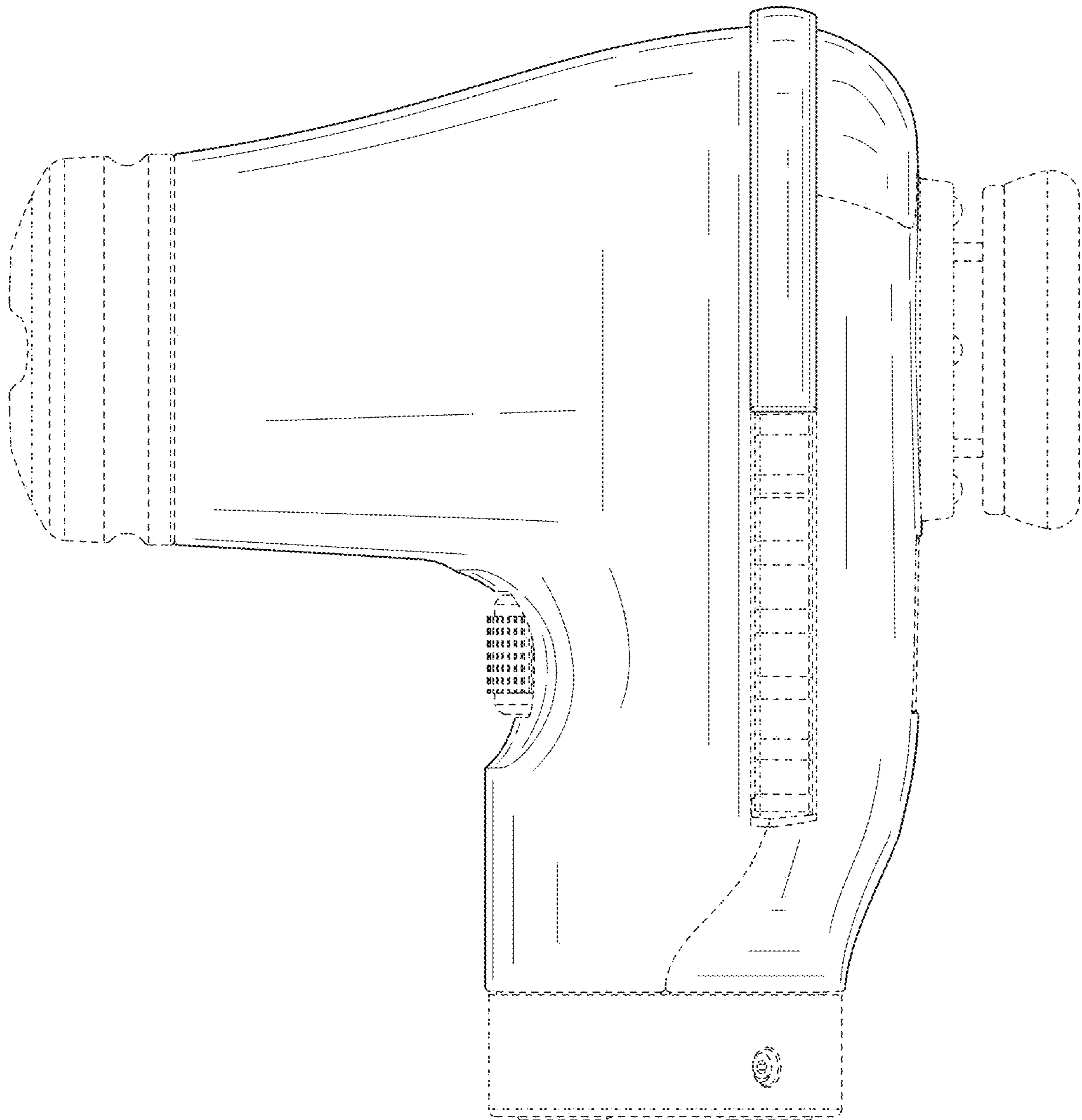


FIG. 13

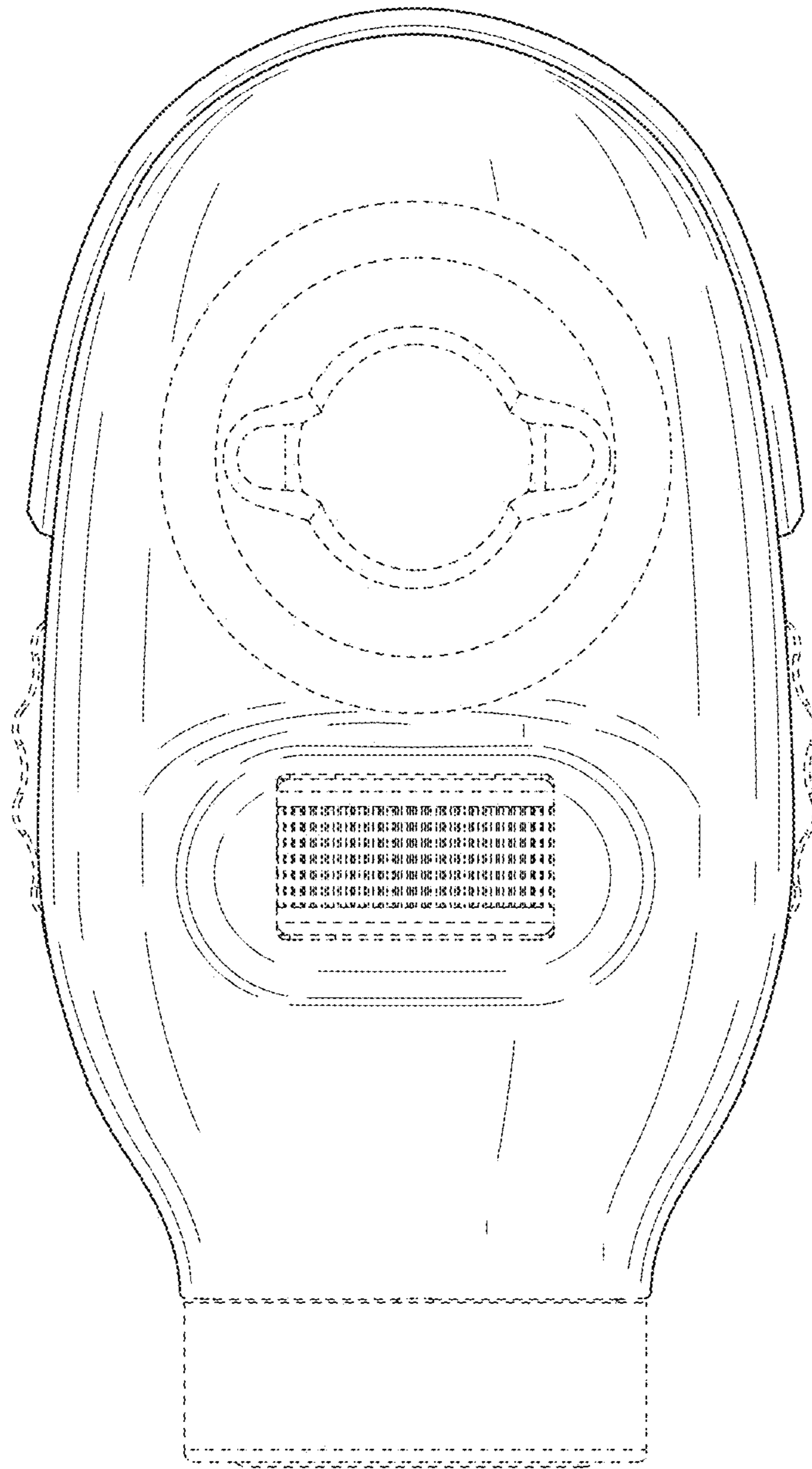


FIG. 14



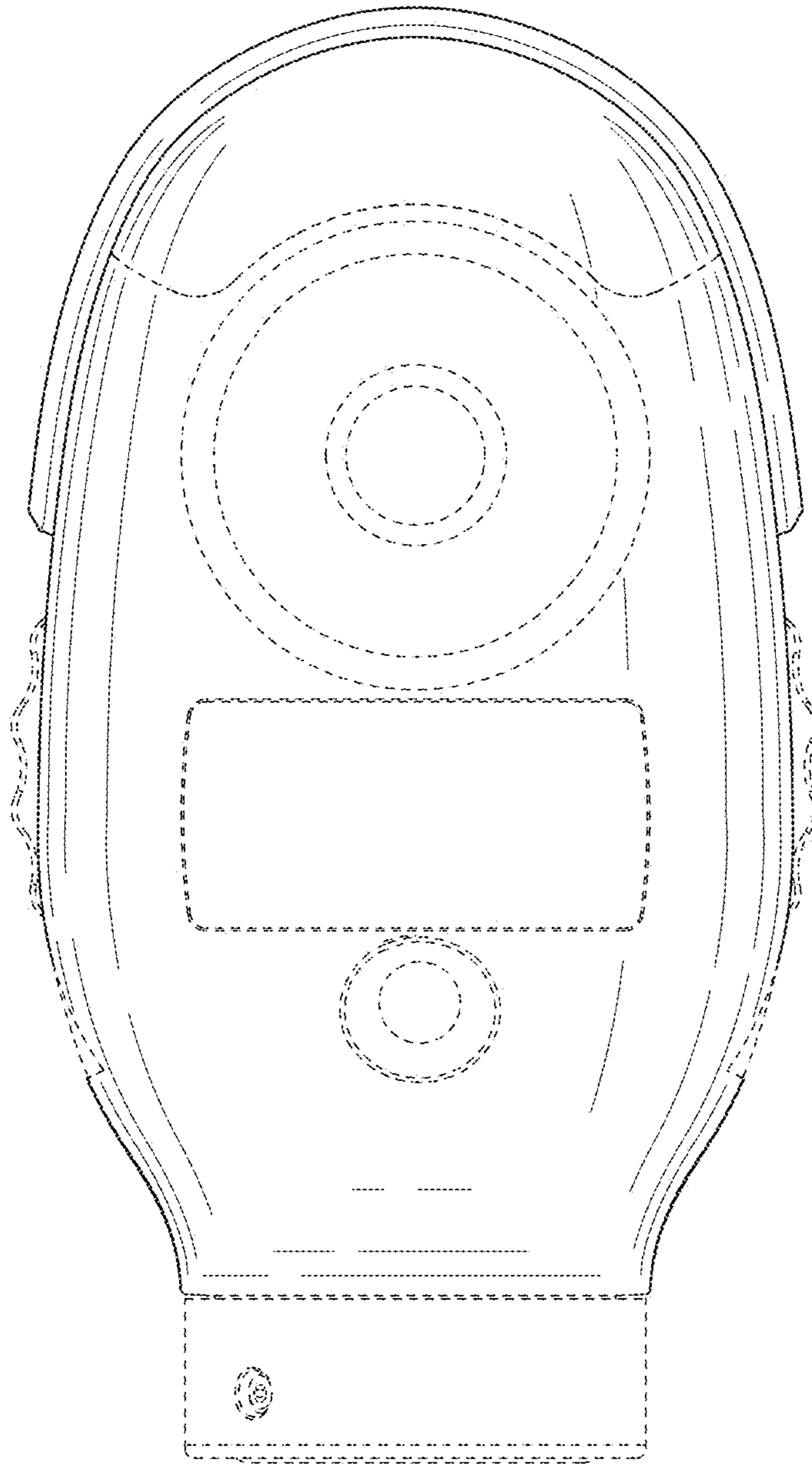


FIG. 15

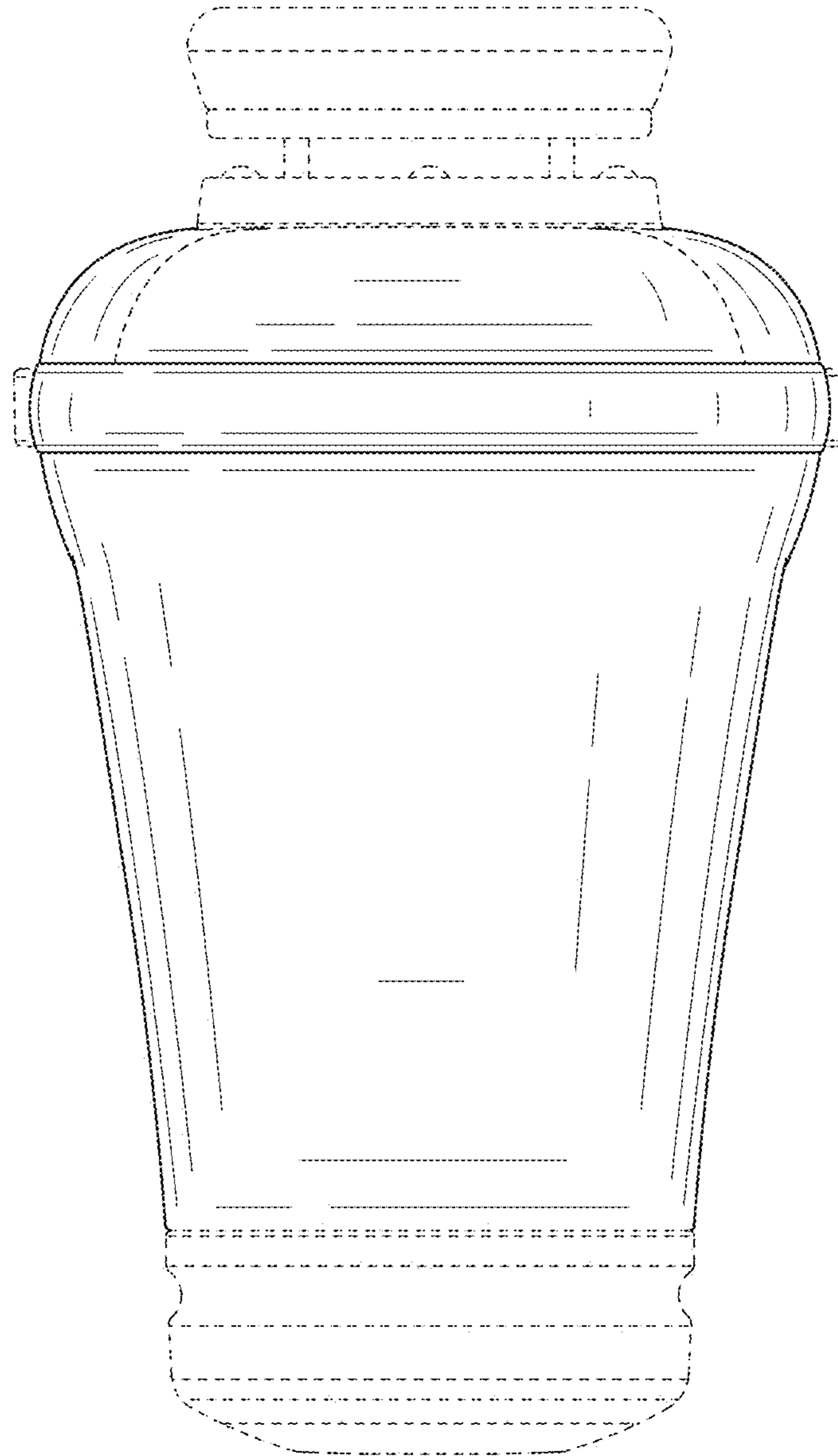


FIG. 16

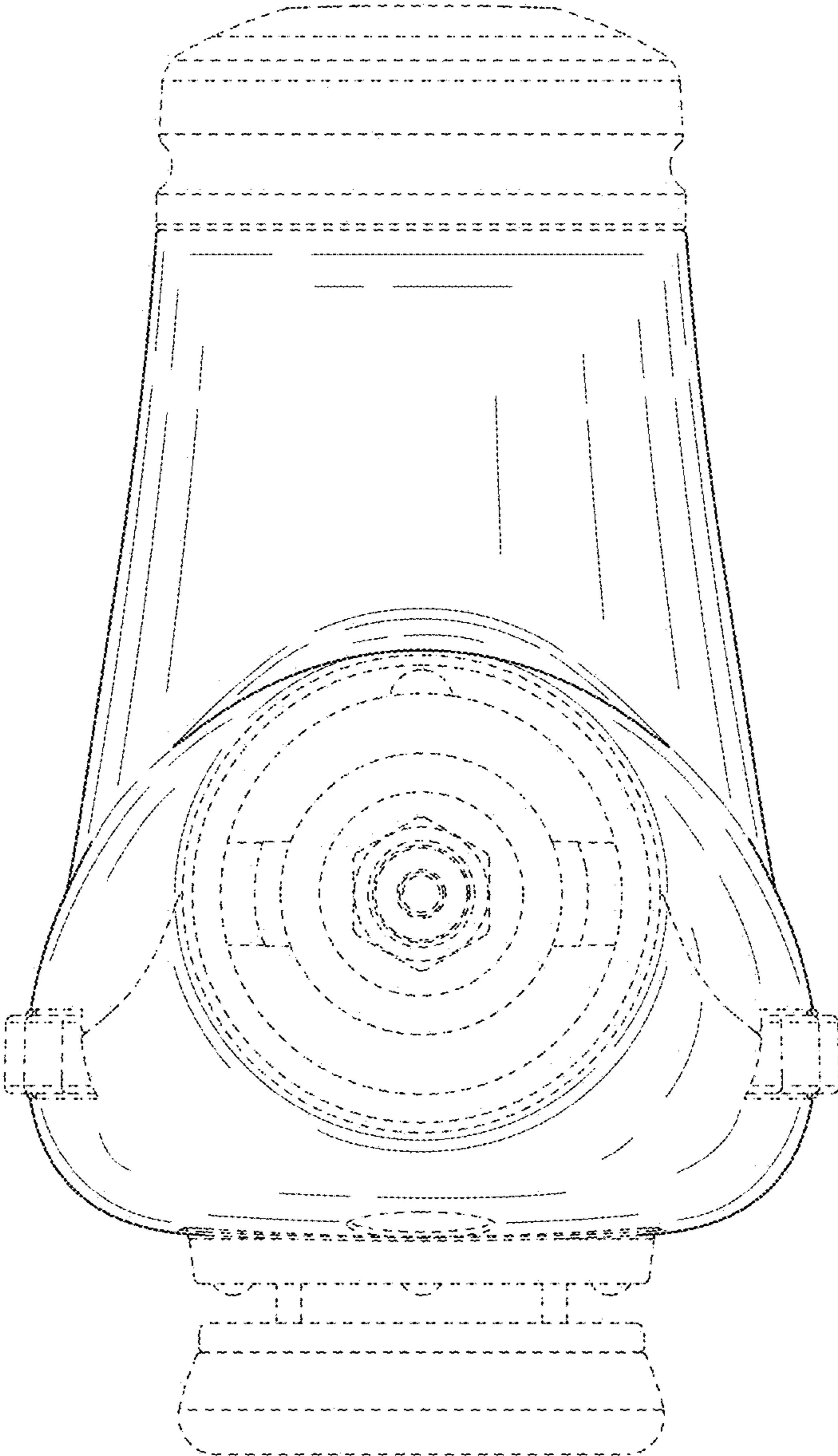


FIG. 17

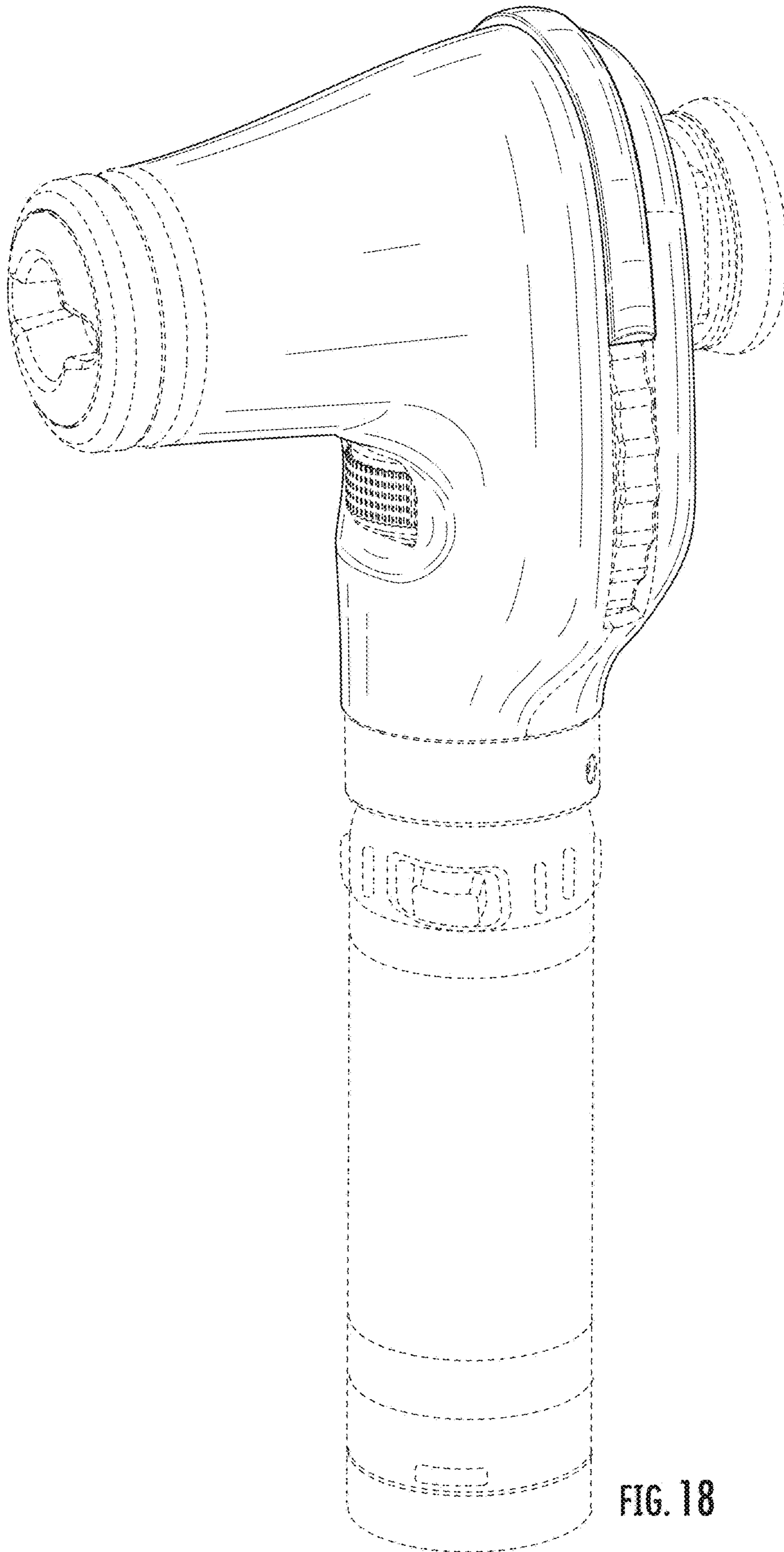


FIG. 18