



US00D905237S

(12) **United States Design Patent** (10) **Patent No.:** **US D905,237 S**
Knieriem et al. (45) **Date of Patent:** **** Dec. 15, 2020**

(54) **MEDICAL VIEWING DEVICE**
(71) Applicant: **Welch Allyn, Inc.**, Skaneateles Falls, NY (US)
(72) Inventors: **Alan S. Knieriem**, Skaneateles Falls, NY (US); **Thaddeus J. Wawro**, Skaneateles Falls, NY (US); **Timothy R. Fitch**, Skaneateles Falls, NY (US); **Robert S. Englert**, Skaneateles Falls, NY (US); **Michael T. McMahon**, Skaneateles Falls, NY (US); **David Perkins**, Skaneateles Falls, NY (US)
(73) Assignee: **WELCH ALLYN, INC.**, Skaneateles Falls, NY (US)
(**) Term: **15 Years**

D379,514 S 5/1997 Laun et al.
D423,668 S 4/2000 Coe
D429,333 S 8/2000 Sander et al.
(Continued)

OTHER PUBLICATIONS

3.5 V Diagnostic Oscopes [online] [retrieved Jun. 10, 2014]. Retrieved from the Internet: <URL:http://intl.welchallyn.com/apps/products/product.jsp?id=11-ac-100-000000001141>. (2011) 1 page.
(Continued)

Primary Examiner — Eliza Z Bennett-Hattan
(74) *Attorney, Agent, or Firm* — Alston & Bird LLP

(57) **CLAIM**

The ornamental design for a medical viewing device, as shown and described.

DESCRIPTION

FIG. 1 is a perspective view of a medical viewing device showing our new design;
FIG. 2 is another perspective view thereof;
FIG. 3 is a left side elevation view thereof;
FIG. 4 is a right side elevation view thereof;
FIG. 5 is a front elevation view thereof;
FIG. 6 is a rear elevation view thereof;
FIG. 7 is a top plan view thereof;
FIG. 8 is a bottom plan view thereof;
FIG. 9 is another perspective view thereof, shown with a handle; and,
FIG. 10 is another left side elevation view thereof, shown with the handle.
The broken lines immediately adjacent to shaded areas depict boundaries of the claim and form no part of the claimed design. The broken lines of the handles in FIGS. 9 and 10 illustrate environment and form no part of the claimed design. All other broken lines depict portions of the medical viewing device that form no part of the claimed design.

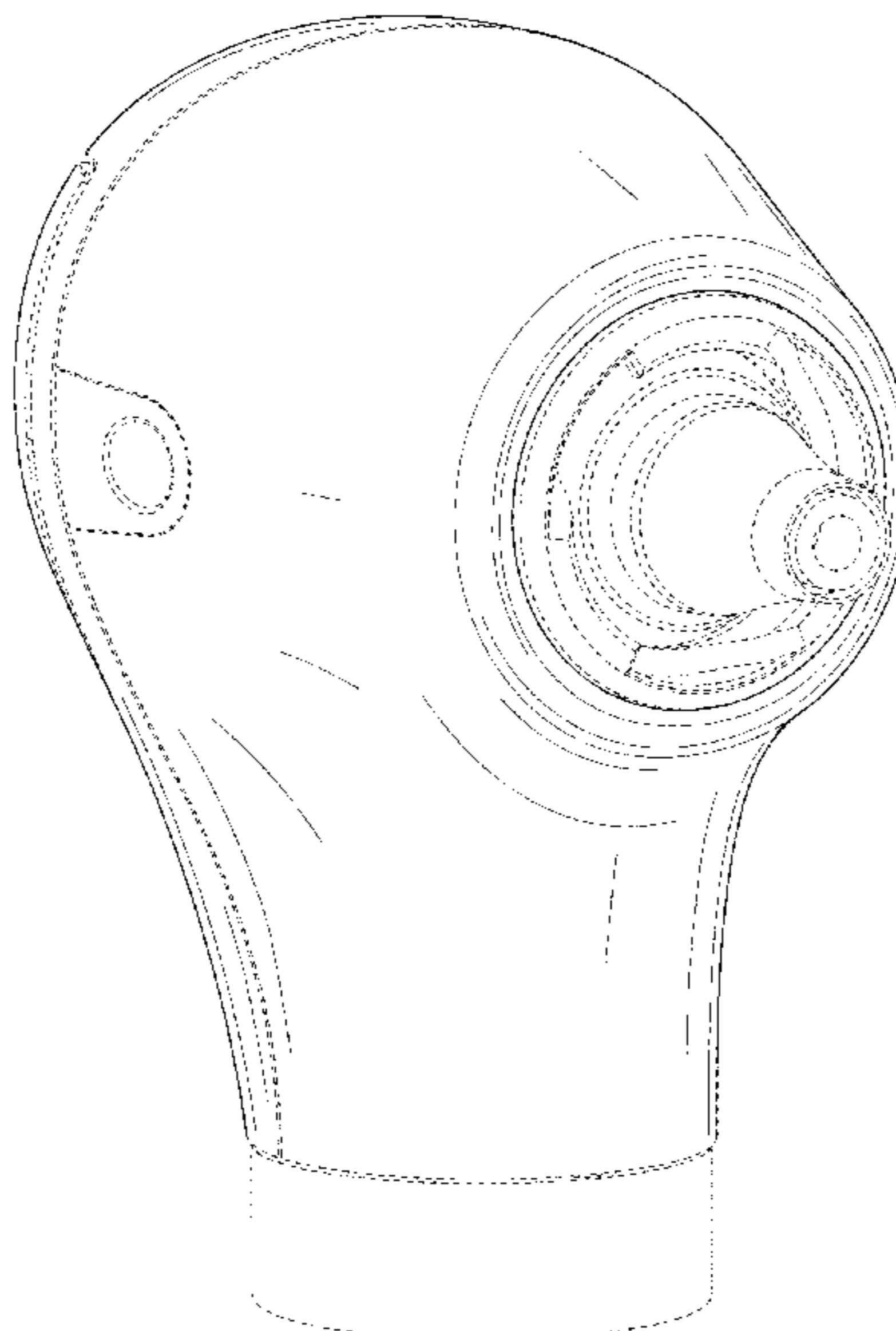
(21) Appl. No.: **29/650,401**
(22) Filed: **Jun. 6, 2018**
(51) **LOC (12) Cl.** **24-02**
(52) **U.S. Cl.**
USPC **D24/137**
(58) **Field of Classification Search**
USPC D24/138, 137, 172, 133, 144, 145, 146
CPC A61B 3/1208
See application file for complete search history.

(56) **References Cited**

U.S. PATENT DOCUMENTS

D207,372 S 4/1967 Pulos
D243,973 S 4/1977 Pulos et al.
D265,504 S * 7/1982 Nash D24/137
D286,814 S * 11/1986 Brainard, II 600/200
D288,960 S * 3/1987 Riester D24/137
D289,197 S * 4/1987 Ware D24/137
5,200,772 A 4/1993 Perkins et al.
5,202,710 A 4/1993 Perkins
D377,393 S 1/1997 Sams

1 Claim, 9 Drawing Sheets



(56)

References Cited

U.S. PATENT DOCUMENTS

| | | | | |
|--------------|-----|---------|----------------|---------------|
| 6,130,520 | A | 10/2000 | Wawro et al. | |
| D566,270 | S | 4/2008 | Strom et al. | |
| D566,838 | S | 4/2008 | Slawson et al. | |
| D594,555 | S | 6/2009 | Hsu | |
| D618,794 | S | 6/2010 | Onuma | |
| D619,708 | S | 7/2010 | Ellman | |
| 7,862,173 | B1 | 1/2011 | Ellman | |
| D635,257 | S * | 3/2011 | Ellman | D24/137 |
| 8,459,844 | B2 | 6/2013 | Lia et al. | |
| D709,191 | S | 7/2014 | Wood et al. | |
| D760,388 | S | 6/2016 | Slawson et al. | |
| D760,895 | S | 7/2016 | McMahon et al. | |
| D776,809 | S | 1/2017 | Vallee et al. | |
| 2004/0039251 | A1 | 2/2004 | Roberts et al. | |

OTHER PUBLICATIONS

3.5 V Standard Ophthalmoscope [online] [retrieved Jun. 10, 2014]. Retrieved from the Internet: <URL:http://intel.welchallyn.com/apps/products/product.jsp?id=11-ac-100-0000000001137>. (2011) 1,page. PocketScope Ophthalmoscope [online] [retrieved Jun. 10, 2014].

Retrieved from the Internet: <URL:http://intel.welchallyn.com/apps/products/product.jsp?id=11-ac-100-0000000001139>. (2011) 1 page. PocketScope Otoscope with Throat Illuminator [online] [retrieved Jun. 10, 2014]. Retrieved from the Internet: <URL:http://intel.welchallyn.com/apps/products/product.jsp?id=11-ac-100-0000000001148>. (2011) 1 page.

Welch Allyn 2.5v PocketScope Ophthalmoscope with AA Handle (Model 12820) [online] [retrieved Jun. 10, 2014]. Retrieved from the Internet:<URL: http://www.amazon.com/Welch-allyn-PocketScope-Ophthalmoscope-Handle/dp/B002MBRHROQ/repd_sim_sbs_hpc_1?ie=UTF8&refRID=0KV7EFBWEAQ08K . . . >. (undated) 2 pages.

Welch Allyn Otoscope/opthalmoscope Diagnostic Set MOD 95001 [online][retrieved Jun. 10, 2014]. Retrieved from the Internet:<URL:http://www.amazon.com/Welch-Allyn-opthalmoscope-MOD95001/dp/BOOORJXUDS/ref=pd_sxp_grid_pt_0_1>. (undated) 2 pages.

Welch Allyn PocketScope Otoscope w/“AA” Handle and Soft Case, 1/Ea, 22821 [online] [retrieved Jun. 10, 2014]. Retrieved from the Internet: <URL:http://www.amazon.com/Welch-Allyn-PocketScope-Otoscope-22821/dp/BOOOROJ8UW/re-pd_sim_hpc_3?ie=UTF8&refRID=13090GMJV3SHNBVAQPKS>. (undated) 2 pages.

* cited by examiner

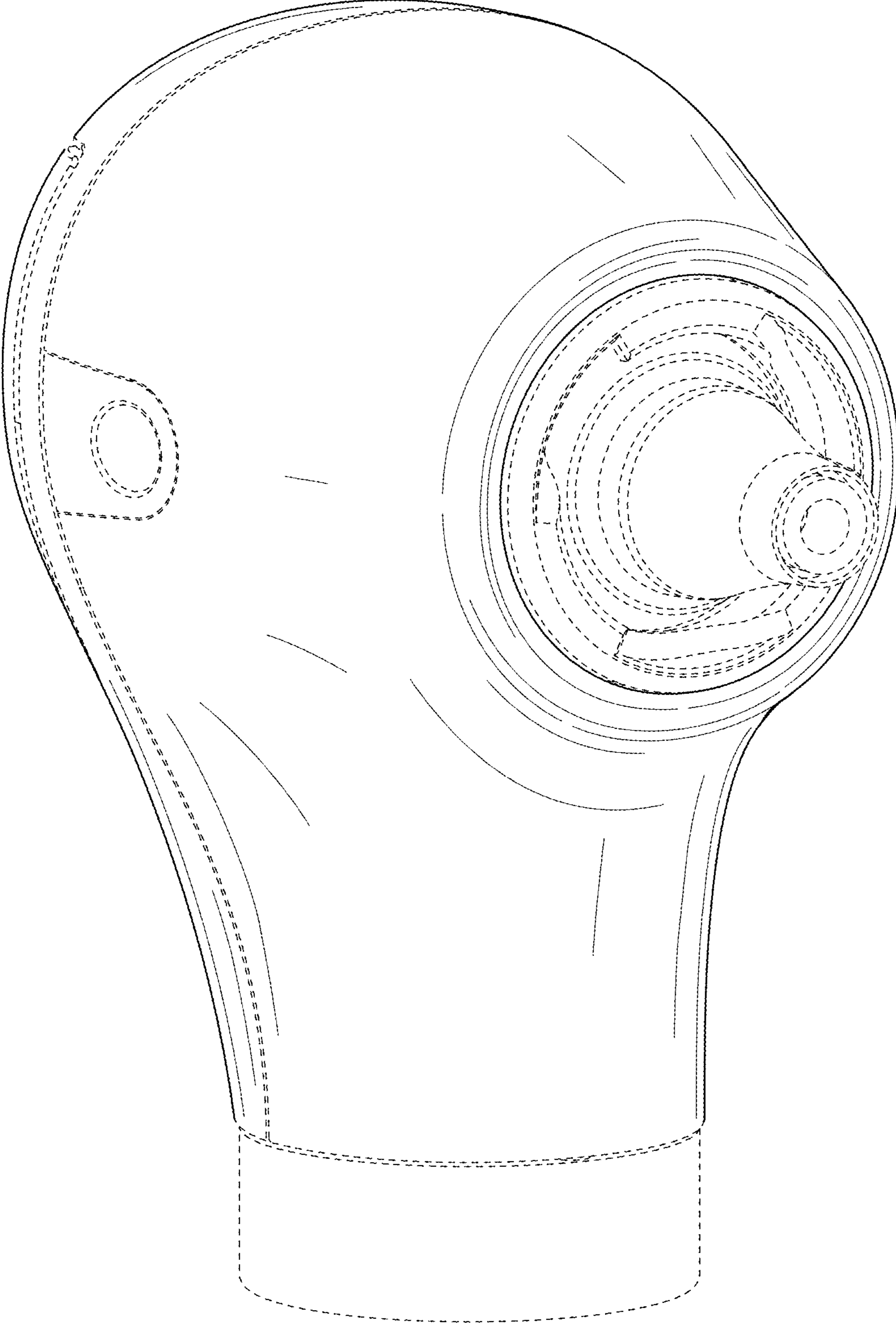


FIG. 1

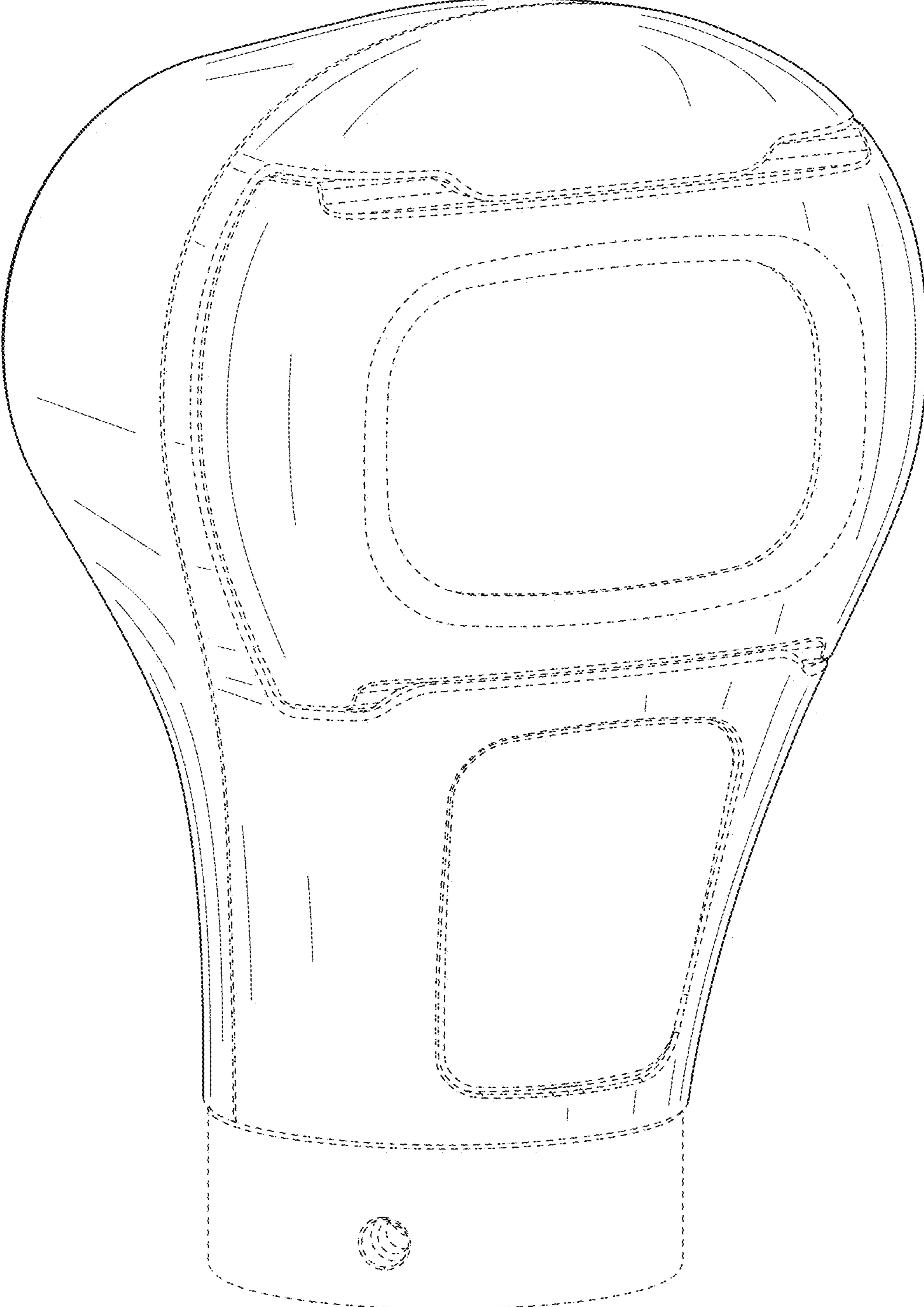


FIG. 2

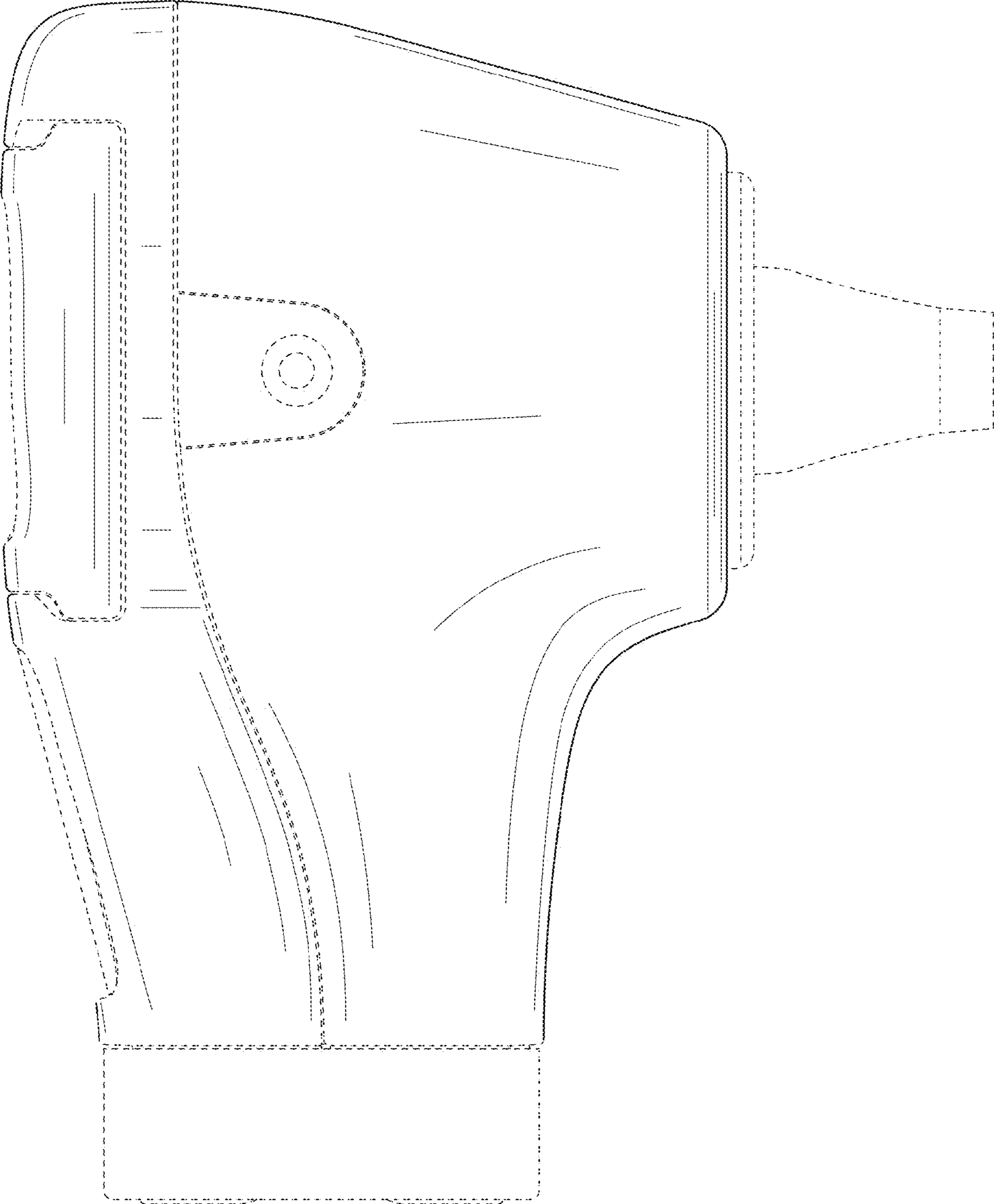


FIG. 3

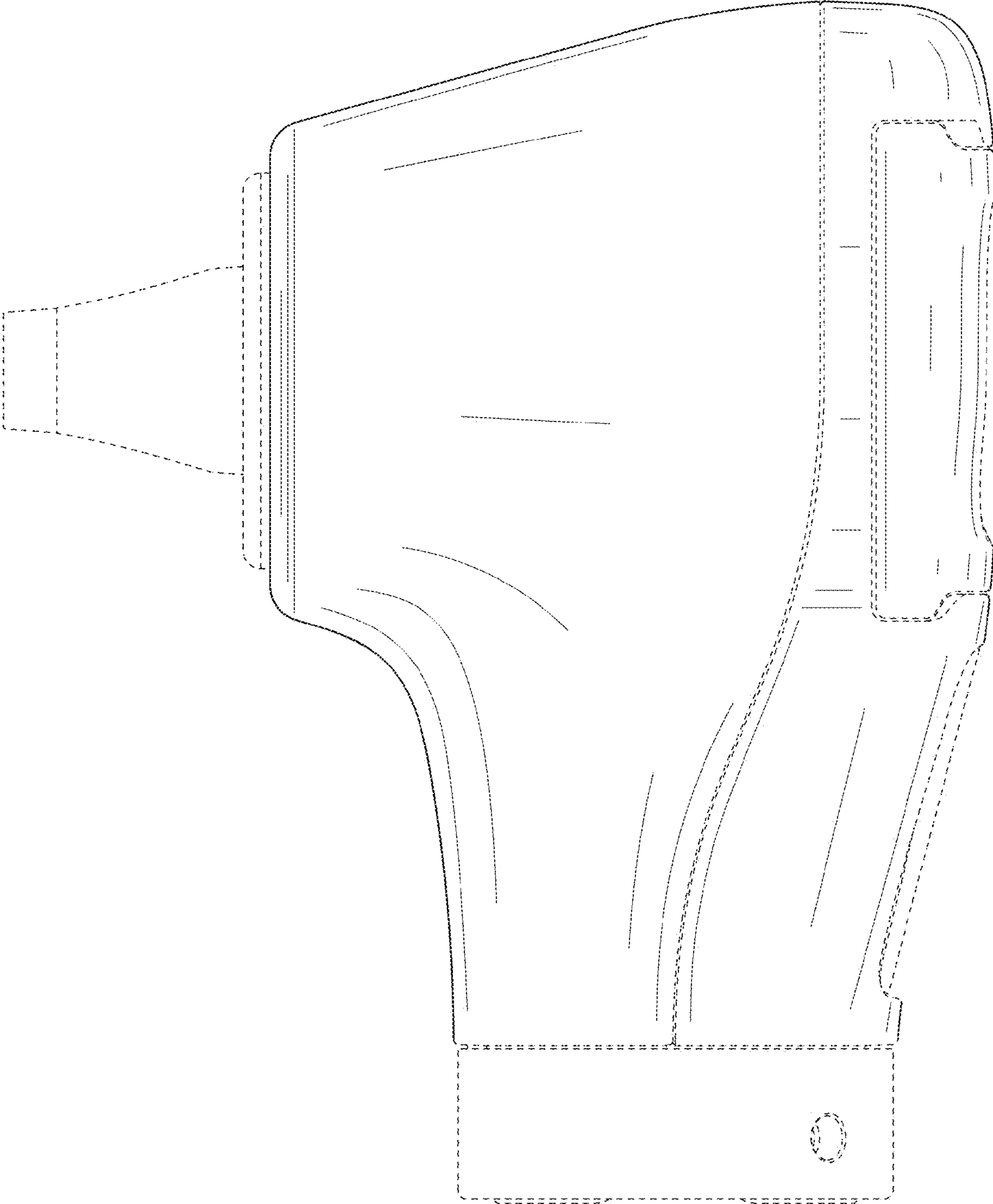


FIG. 4

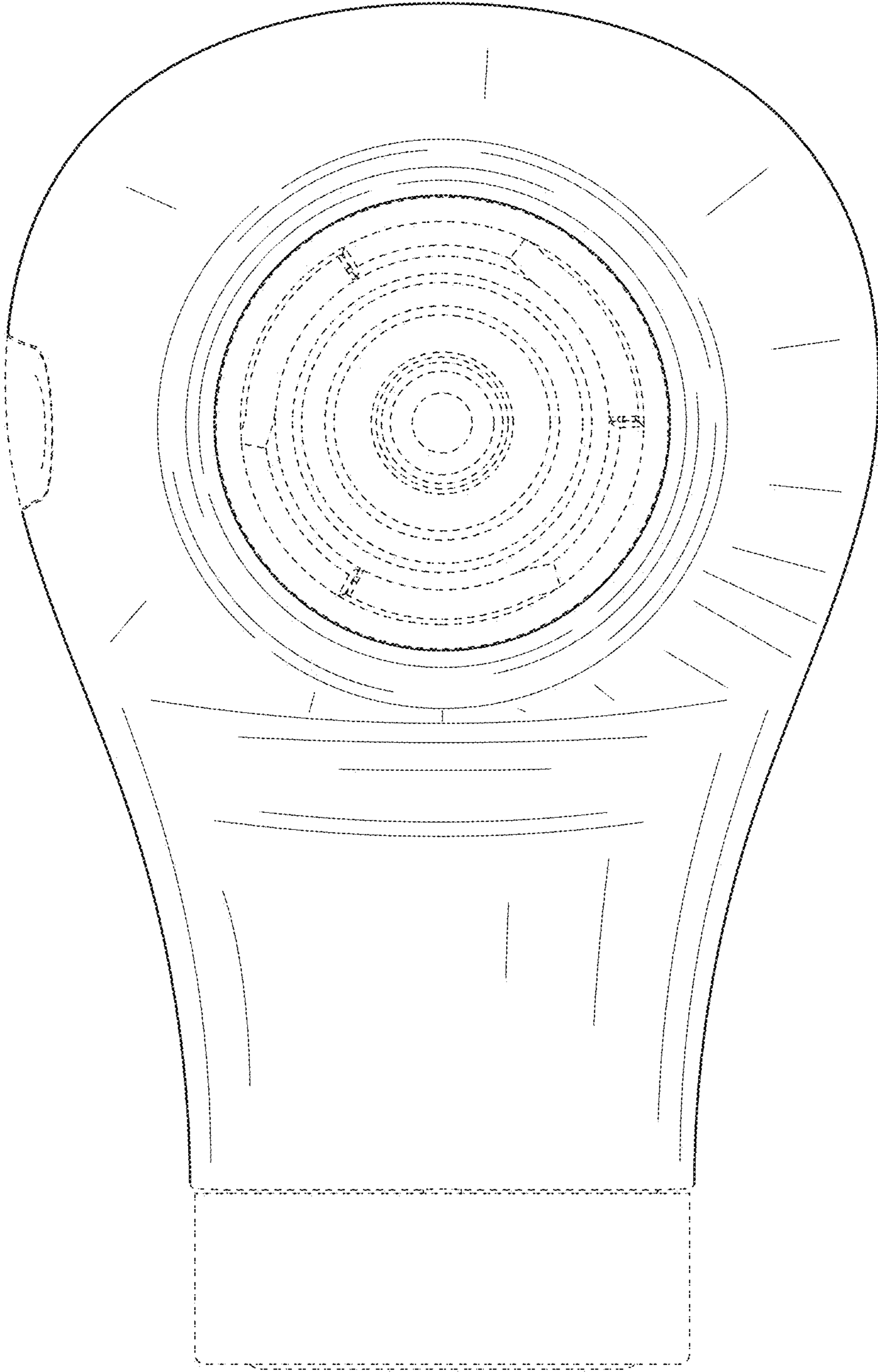


FIG. 5

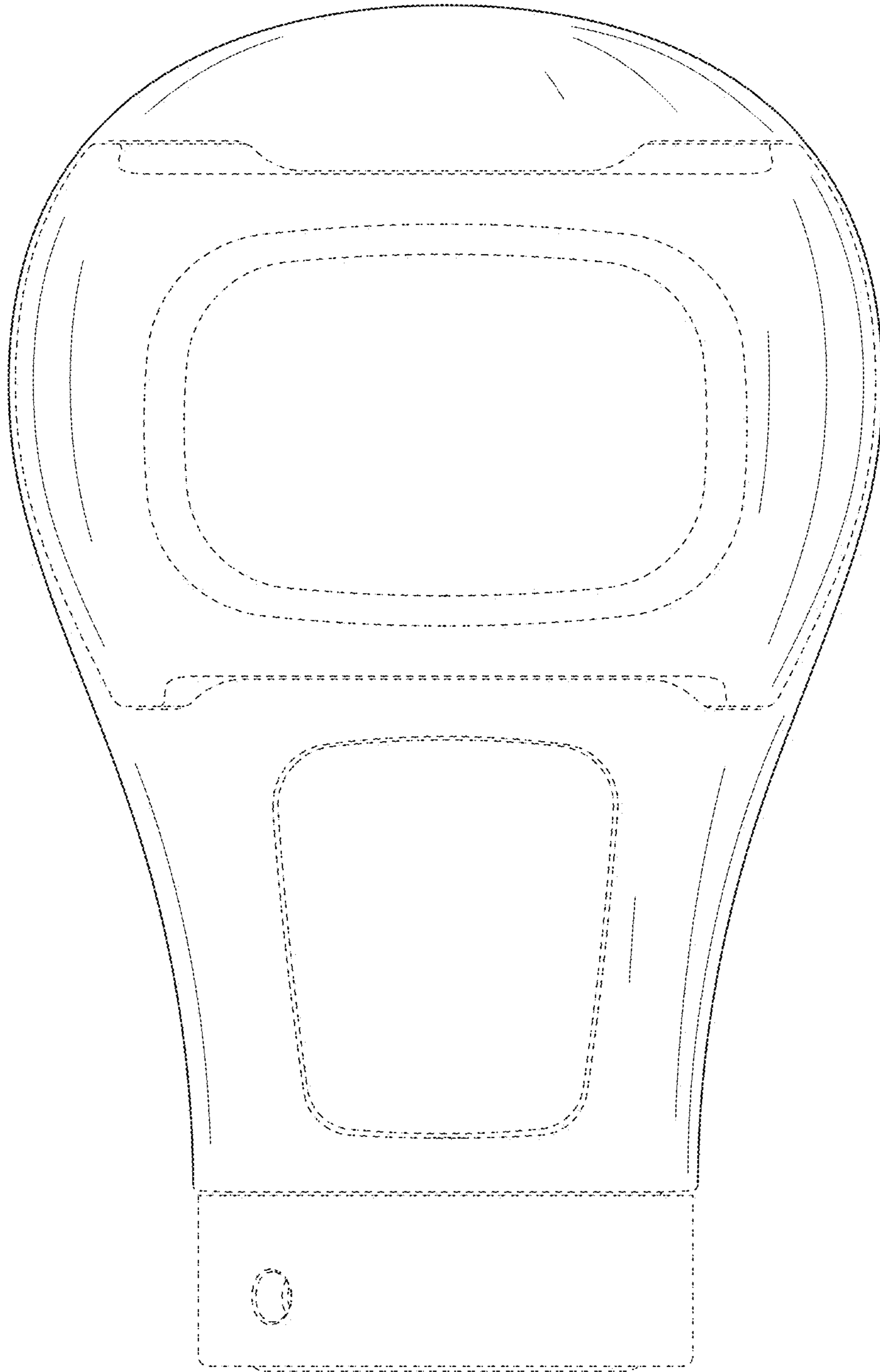


FIG. 6

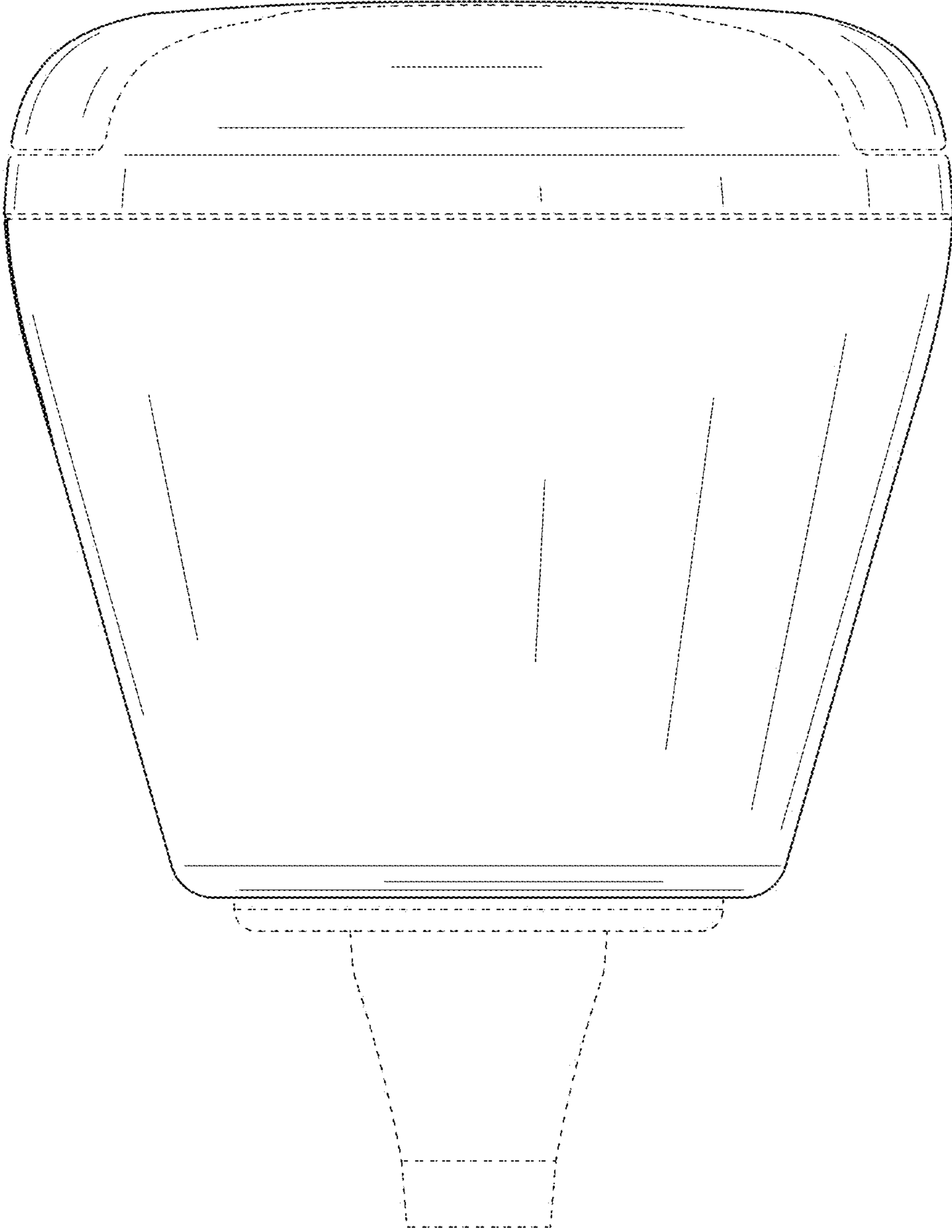


FIG. 7

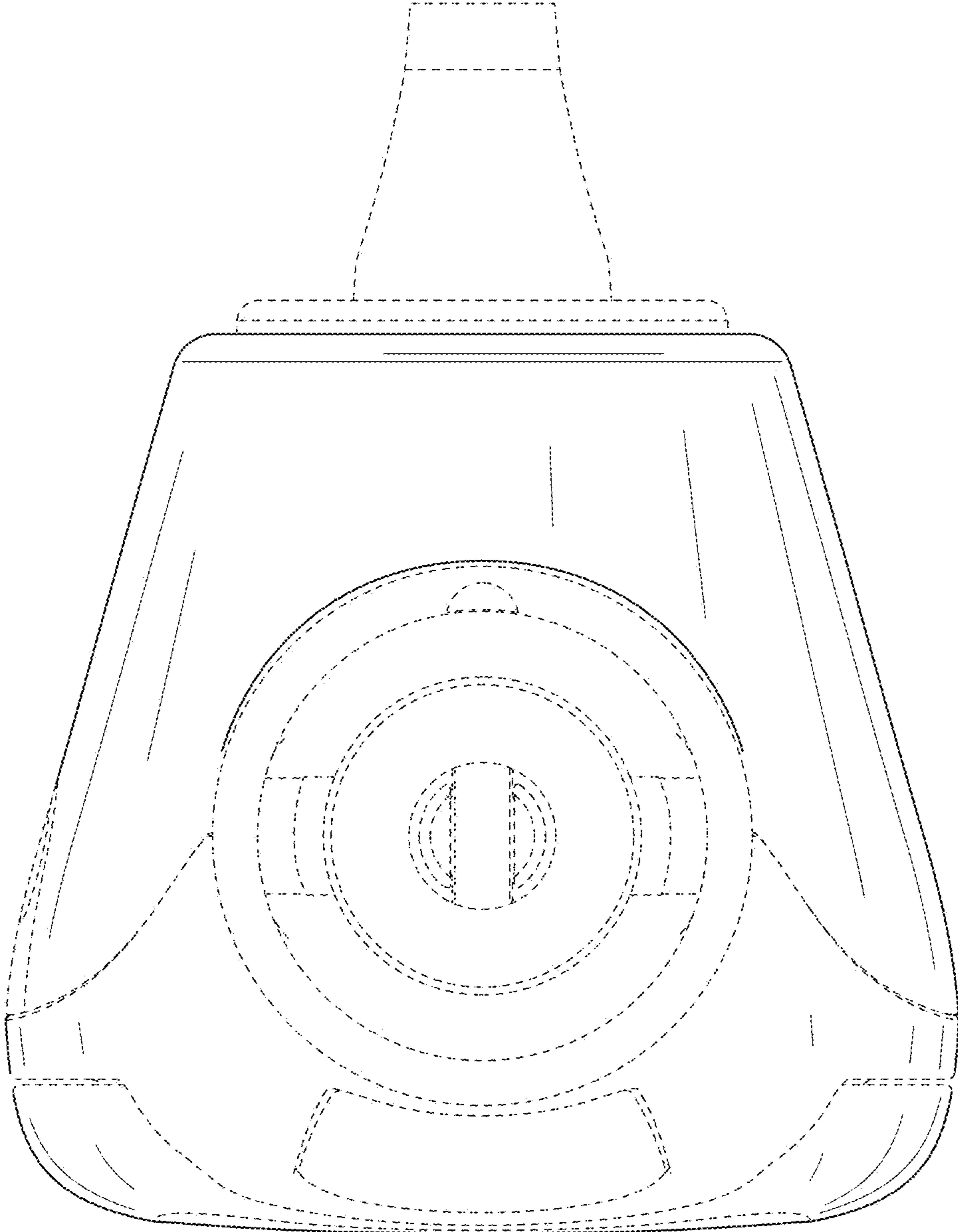


FIG. 8

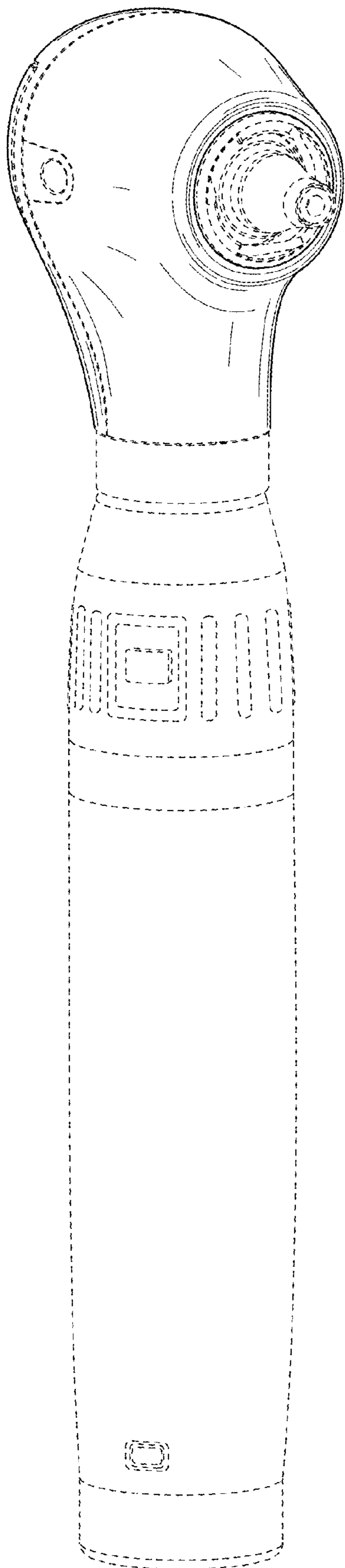


FIG. 9

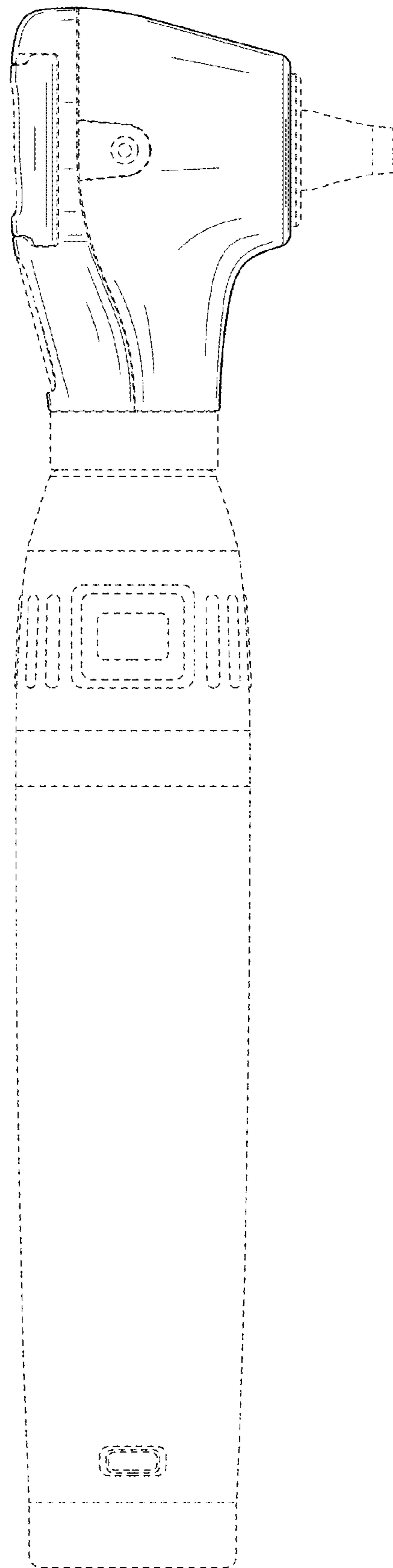


FIG. 10