



US00D905236S

(12) **United States Design Patent**  
**Opperman**

(10) **Patent No.:** **US D905,236 S**

(45) **Date of Patent:** **\*\* Dec. 15, 2020**

(54) **RETRACTOR**

(71) Applicant: **Colorado Voice Clinic, P.C.**, Denver, CO (US)

(72) Inventor: **David A. Opperman**, Littleton, CO (US)

(73) Assignee: **COLORADO VOICE CLINIC, P.C.**, Denver, CO (US)

(\*\*) Term: **15 Years**

(21) Appl. No.: **29/663,826**

(22) Filed: **Sep. 19, 2018**

**Related U.S. Application Data**

(60) Division of application No. 29/628,152, filed on Dec. 1, 2017, now Pat. No. Des. 866,759, which is a continuation of application No. 15/457,404, filed on Mar. 13, 2017, now Pat. No. 10,238,373.

(51) **LOC (12) Cl.** ..... **24-02**

(52) **U.S. Cl.**  
USPC ..... **D24/135**

(58) **Field of Classification Search**  
USPC ..... D24/135, 147, 133, 152, 112, 113, 130, D24/136, 137, 156  
CPC ..... A61B 1/267; A61B 1/00052; A61B 1/07; A61B 17/02  
See application file for complete search history.

(56) **References Cited**

**U.S. PATENT DOCUMENTS**

2,131,372 A	9/1938	Flood
2,152,349 A	3/1939	Flood
D168,363 S	12/1952	Martin
D220,855 S	6/1971	Montague
4,306,547 A	12/1981	Lowell
4,384,570 A	5/1983	Roberts
D270,183 S	8/1983	Govenius
4,832,020 A	5/1989	Augustine

4,982,729 A	1/1991	Wu
5,065,738 A	11/1991	Van Dam
5,092,314 A	3/1992	Zeitels
D338,240 S	8/1993	Mori
D338,688 S	8/1993	Mori
5,261,392 A	11/1993	Wu
5,776,053 A	7/1998	Dragisic
D438,979 S	3/2001	Gomes

(Continued)

**FOREIGN PATENT DOCUMENTS**

WO WO-2019108960 A1 \* 6/2019 ..... A61B 1/00131

**OTHER PUBLICATIONS**

Olympus FK-WO TORS Laryngo-pharyngoscope retractor. <http://olympusmedical.com/sg/products/all-products/instruments/ent-instruments/fk-wo-tors-laryngo-pharyngoscope-retractor/index.html>. Retrieved from the internet Mar. 2016. 3 pages.

*Primary Examiner* — Michelle E. Wilson

*Assistant Examiner* — Tracey J Bell

(74) *Attorney, Agent, or Firm* — FisherBroyles, LLP; Craig W. Mueller

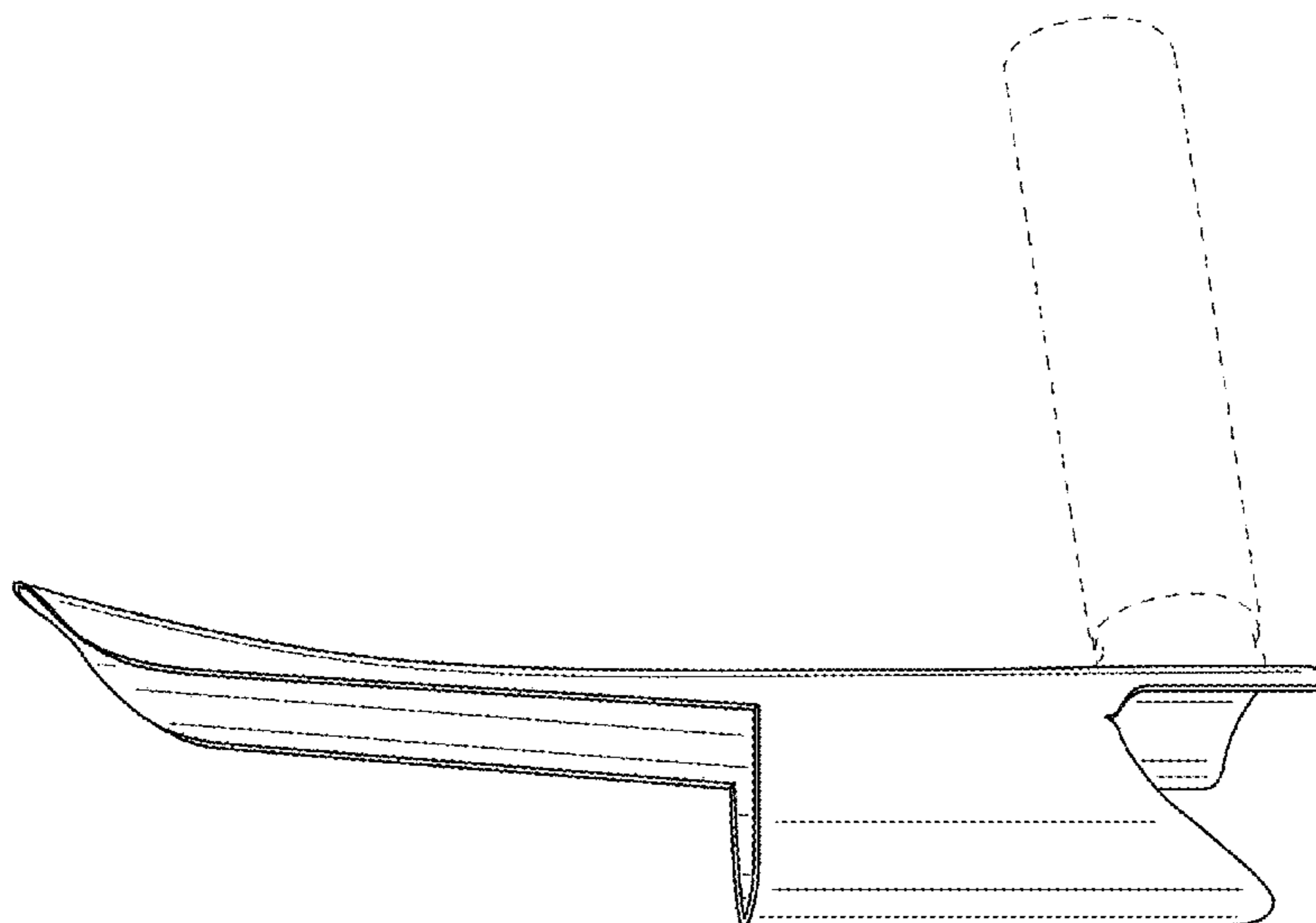
(57) **CLAIM**

The ornamental design for a retractor, as shown and described.

**DESCRIPTION**

FIG. 1 is a perspective view of a retractor showing the new design;  
FIG. 2 is a front elevation view thereof;  
FIG. 3 is a rear elevation view thereof;  
FIG. 4 is a right elevation view thereof;  
FIG. 5 is a left elevation view thereof;  
FIG. 6 is a top plan view thereof; and,  
FIG. 7 is a bottom plan view thereof.  
The broken lines depict environment and, thus, do not form portions of the claimed design.

**1 Claim, 5 Drawing Sheets**



(56)

References Cited

U.S. PATENT DOCUMENTS

6,652,453 B2 11/2003 Smith  
 D486,908 S 2/2004 Himbert  
 6,955,645 B1 10/2005 Zeitels  
 D540,945 S 4/2007 Darnold  
 D558,347 S 12/2007 Darnold  
 D629,897 S 12/2010 Koros  
 7,946,981 B1 5/2011 Cubb  
 D685,087 S 6/2013 Voic  
 8,495,999 B2 7/2013 Law  
 8,721,535 B2 5/2014 Chen  
 D742,512 S \* 11/2015 Pilz ..... D24/137  
 D779,665 S 2/2017 Hasbun  
 10,349,823 B2 \* 7/2019 Opperman ..... A61B 1/00101  
 D866,759 S \* 11/2019 Opperman ..... D24/135  
 D868,249 S \* 11/2019 Chen ..... D24/137  
 D877,330 S \* 3/2020 McClunan ..... D24/135  
 D877,331 S \* 3/2020 Huels ..... D24/137

2005/0054972 A1 3/2005 Adams  
 2006/0276693 A1 \* 12/2006 Pacey ..... A61B 1/00142  
 600/188  
 2009/0318768 A1 12/2009 Tenger  
 2010/0298644 A1 11/2010 Kleene  
 2011/0178372 A1 7/2011 Pacey  
 2011/0306839 A1 12/2011 Young  
 2012/0095295 A1 4/2012 McGrath  
 2013/0237763 A1 9/2013 Qiu  
 2014/0336466 A1 11/2014 Young  
 2015/0173598 A1 6/2015 Alexander  
 2016/0354072 A1 \* 12/2016 Swift ..... A61B 90/30  
 2017/0189004 A1 \* 7/2017 Swift ..... A61B 90/30  
 2018/0021100 A1 \* 1/2018 Swift ..... A61B 17/02  
 600/245  
 2018/0110403 A1 4/2018 Okazaki  
 2018/0110503 A1 4/2018 Flock  
 2019/0076138 A1 \* 3/2019 Opperman ..... A61B 1/267  
 2019/0082947 A1 \* 3/2019 Opperman ..... A61B 1/267

\* cited by examiner

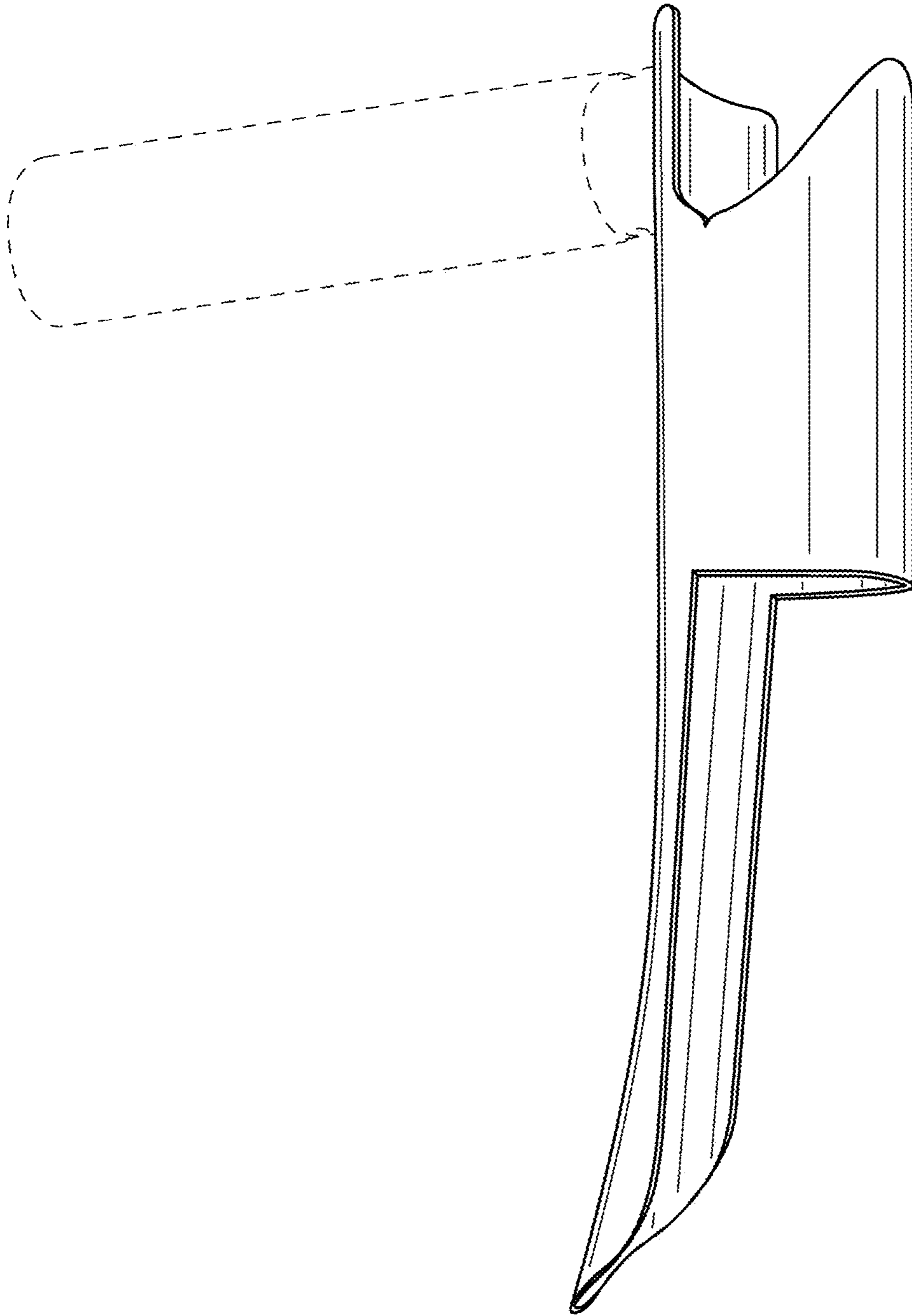


FIG. 1



FIG.2

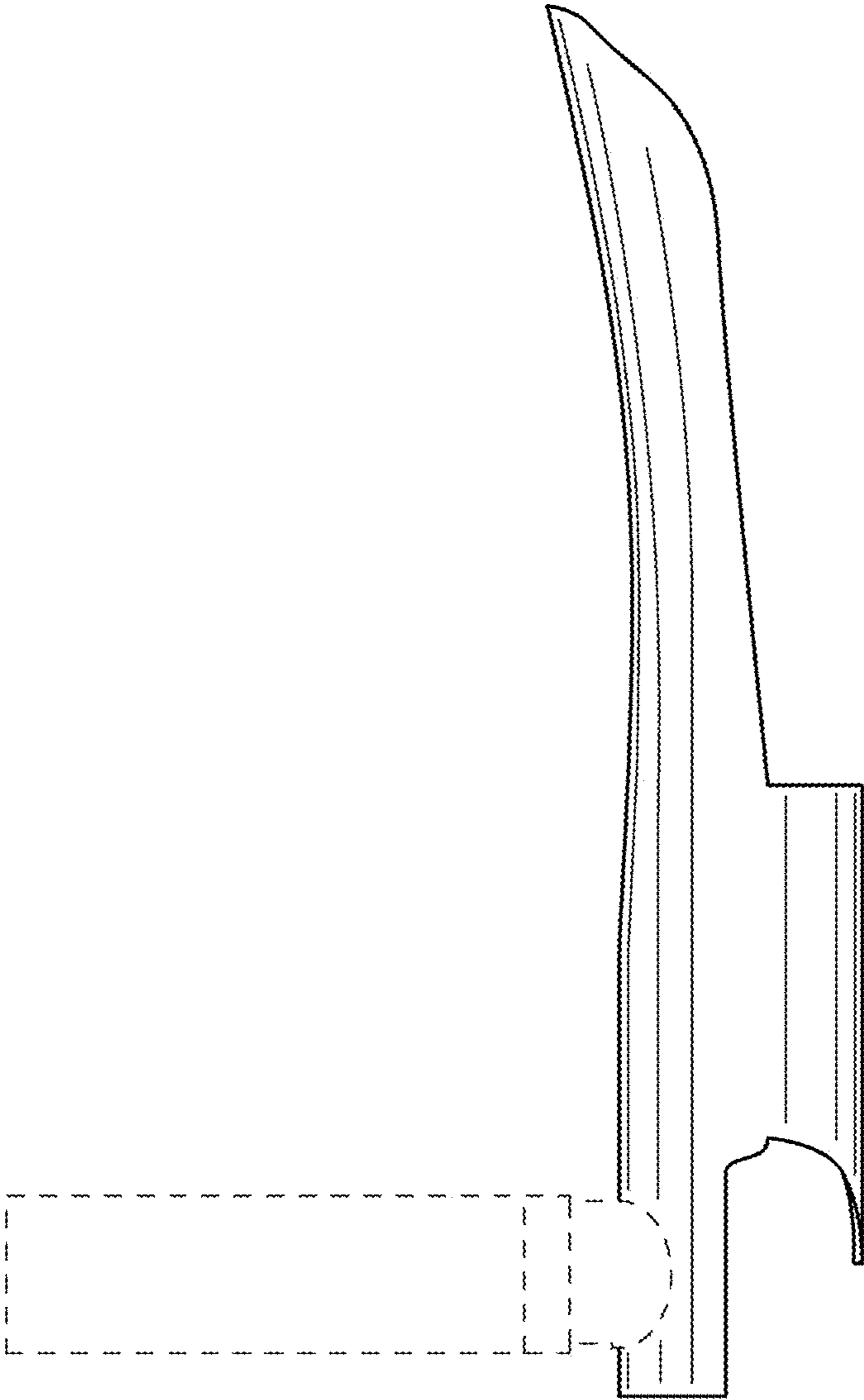


FIG. 3

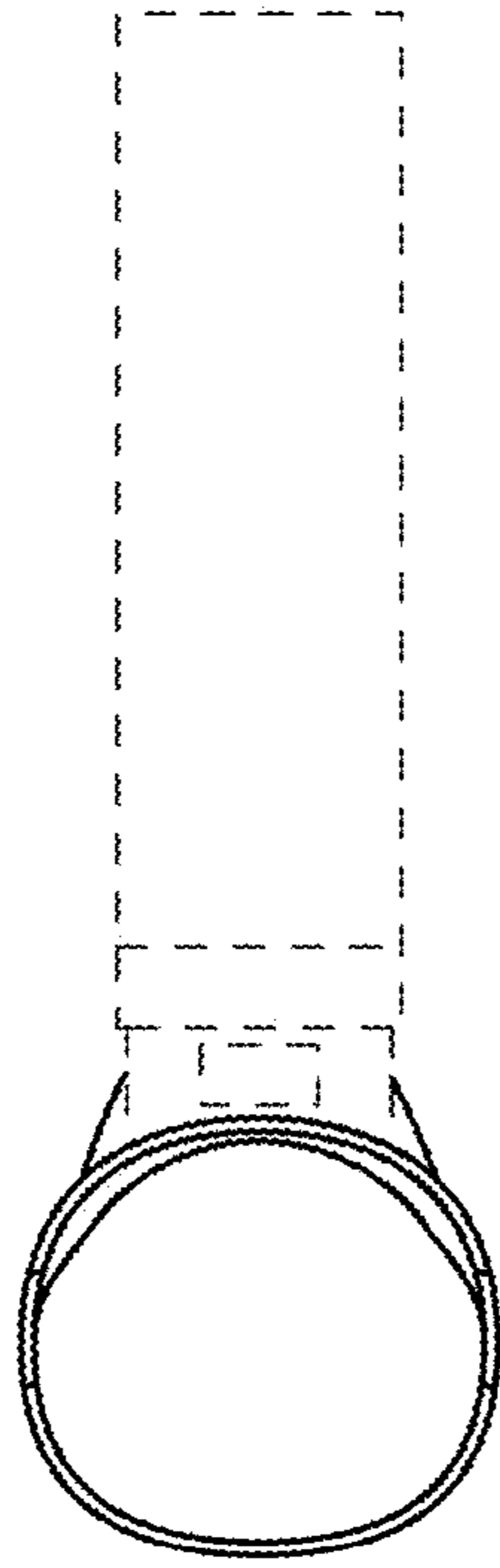


FIG.4

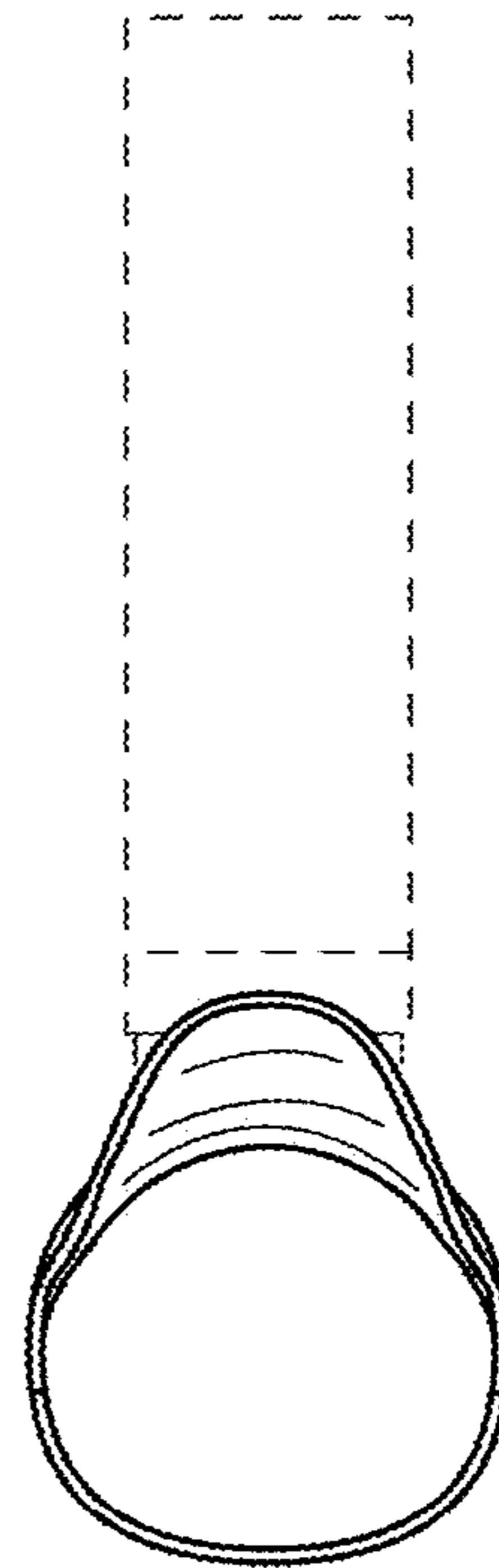


FIG.5

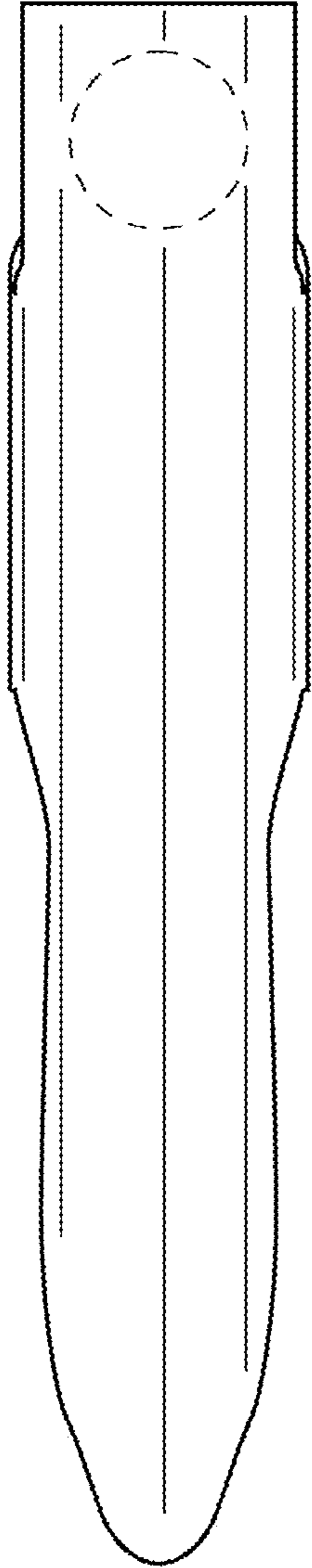


FIG. 6

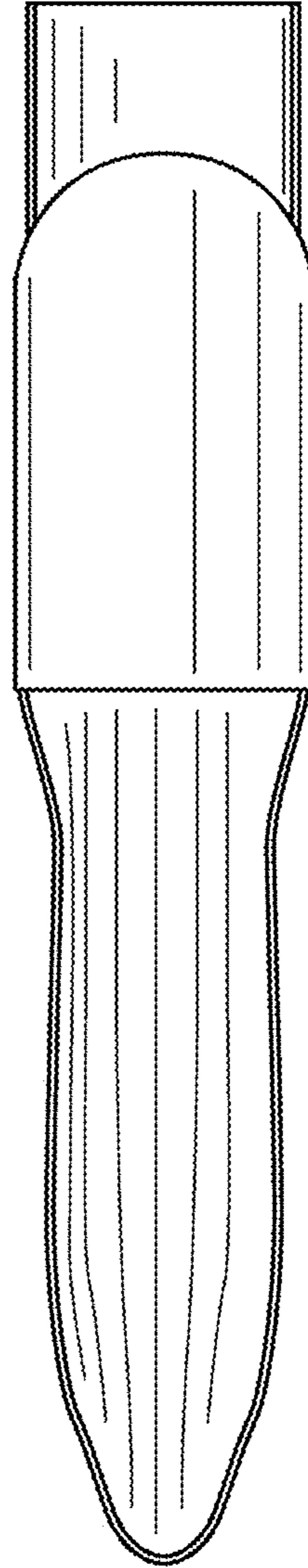


FIG. 7