



US00D905235S

(12) **United States Design Patent** (10) **Patent No.:** **US D905,235 S**
Mottola et al. (45) **Date of Patent:** **** Dec. 15, 2020**

(54) **KIT OF BREAKAWAY CONNECTORS**

(71) Applicant: **Merit Medical Systems, Inc.**, South Jordan, UT (US)

(72) Inventors: **Jim Mottola**, West Jordan, UT (US); **Richard P. Jenkins**, Bluffdale, UT (US); **Brian Stevens**, Pleasant Grove, UT (US)

(73) Assignee: **Merit Medical Systems, Inc.**, South Jordan, UT (US)

(**) Term: **15 Years**

(21) Appl. No.: **29/642,655**

(22) Filed: **Mar. 30, 2018**

(51) **LOC (12) Cl.** **24-02**

(52) **U.S. Cl.**
USPC **D24/129**

(58) **Field of Classification Search**
USPC D24/127-131, 112-114, 133, 186;
606/181, 185; 604/264, 523-528, 272,
(Continued)

(56) **References Cited**

U.S. PATENT DOCUMENTS

4,142,769 A 3/1979 Wood
4,441,775 A 4/1984 Walters
(Continued)

FOREIGN PATENT DOCUMENTS

WO 2003090843 11/2003
WO 2005004974 1/2005
(Continued)

OTHER PUBLICATIONS

Office Action dated Jun. 25, 2019 for U.S. Appl. No. 15/228,796.
(Continued)

Primary Examiner — David G Muller

(74) *Attorney, Agent, or Firm* — Stoel Rives LLP

(57) **CLAIM**

The ornamental design for kit of breakaway connectors, as shown and described.

DESCRIPTION

The patent file contains at least one drawing executed in color. Copies of this patent with color drawings will be provided by the Office upon request and payment of the necessary fee.

FIG. 1 is a first top perspective view of a kit with three different color (yellow, orange, and green) breakaway connectors in a disconnected configuration.

FIG. 2 is a second top perspective view of the kit of FIG. 1.

FIG. 3 is a first top perspective view of the yellow-color breakaway connector of the kit of FIG. 1 in a disconnected configuration.

FIG. 4 is a second top perspective view of the yellow-color breakaway connector of FIG. 3.

FIG. 5 is a left side view thereof, the right side being a mirror image.

FIG. 6 is a top view thereof, the bottom being a mirror image.

FIG. 7 is a back end view thereof.

FIG. 8 is a front end view thereof.

FIG. 9 is a first top perspective view of the yellow-color breakaway connector of FIG. 3 in a connected configuration.

FIG. 10 is a second top perspective view of the yellow-color breakaway connector of FIG. 9.

FIG. 11 is a left side view thereof, the right side being a mirror image.

FIG. 12 is a top view thereof, the bottom being a mirror image.

FIG. 13 is a back end view thereof.

FIG. 14 is a front end view thereof.

FIG. 15 is a first top perspective view of the orange-color breakaway connector of the kit of FIG. 1 in a disconnected configuration.

FIG. 16 is a second top perspective view of the orange-color breakaway connector of FIG. 15.

(Continued)

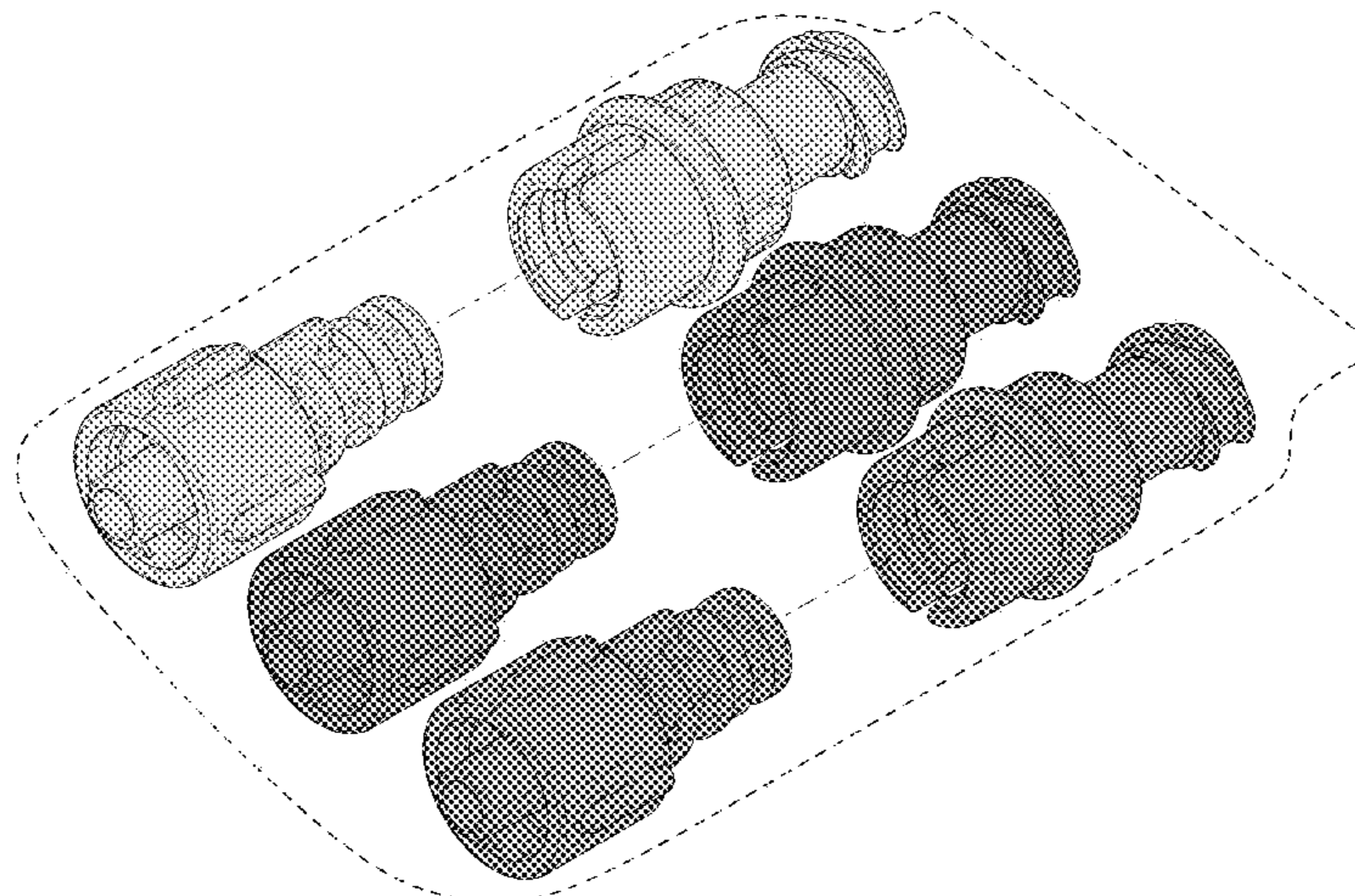


FIG. 17 is left side view thereof, the right side being a mirror image.
 FIG. 18 is a top view thereof, the bottom being a mirror image.
 FIG. 19 is a back end view thereof.
 FIG. 20 is a front end view thereof.
 FIG. 21 is a first top perspective view of the orange-color breakaway connector of FIG. 15 in a connected configuration.
 FIG. 22 is a second top perspective view of the orange-color breakaway connector of FIG. 21.
 FIG. 23 is a left side view thereof, the right side being a mirror image.
 FIG. 24 is a top view thereof, the bottom being a mirror image.
 FIG. 25 is a back end view thereof.
 FIG. 26 is a front end view thereof.
 FIG. 27 is a top perspective view of a green-color breakaway connector of the kit of FIG. 1 in a disconnected configuration.
 FIG. 28 is a second top perspective view of the green-color breakaway connector of FIG. 27.
 FIG. 29 is left side view thereof, the right side being a mirror image.
 FIG. 30 is a top view thereof, the bottom being a mirror image.
 FIG. 31 is a back end view thereof.
 FIG. 32 is a front end view thereof.
 FIG. 33 is a first top perspective view of the green-color breakaway connector of FIG. 27 in a connected configuration.
 FIG. 34 is a second top perspective view of the green-color breakaway connector of FIG. 33.
 FIG. 35 is a left side view thereof, the right side being a mirror image.
 FIG. 36 is a top view thereof, the bottom being a mirror image.
 FIG. 37 is a back end view thereof; and,
 FIG. 38 is a front end view thereof.
 The broken lines form no part of the claimed design.

1 Claim, 26 Drawing Sheets
(26 of 26 Drawing Sheet(s) Filed in Color)

(58) **Field of Classification Search**
 USPC 604/187, 158, 164.01–164.11, 181, 184,
 604/227; 600/101, 139, 143;
 128/200.24, 207.14, 207.15
 CPC A61M 25/00; A61M 39/00; A61M 27/00;
 A61M 25/0043; A61M 25/0067; A61M
 25/0097; A61F 2/958
 See application file for complete search history.

(56)

References Cited

U.S. PATENT DOCUMENTS

4,826,486	A	5/1989	Palsrok	
5,405,336	A	4/1995	Austin et al.	
5,492,147	A	2/1996	Challender et al.	
5,636,875	A	6/1997	Wasser et al.	
6,168,137	B1	1/2001	Paradis	
6,641,574	B2	11/2003	Badia Segura et al.	
6,776,638	B2	8/2004	Thurston	
7,004,934	B2	2/2006	Vaillancourt	
7,303,553	B2	12/2007	Ott	
7,766,394	B2	8/2010	Sage et al.	
D636,079	S *	4/2011	Leybold	D24/129
8,235,971	B2	8/2012	Christensen et al.	
8,790,327	B2 *	7/2014	Takemoto	A61J 1/10 604/403
D750,236	S *	2/2016	Maurice	D24/129
D757,260	S *	5/2016	Lombardi, III	D24/129
D773,659	S *	12/2016	Cain	D24/129
D784,529	S *	4/2017	Steele	D24/129
D792,586	S *	7/2017	Becker	D24/129
D799,032	S *	10/2017	Becker	D24/129
D825,746	S *	8/2018	Davis	D24/129
D830,523	S *	10/2018	Vranish	D23/262
D830,524	S *	10/2018	Vranish	D23/262
D836,191	S *	12/2018	Kheradpir	D24/112
D837,978	S *	1/2019	Pappalardo	D24/129
2003/0098430	A1	5/2003	Leinsing	
2005/0015075	A1	1/2005	Wright et al.	
2005/0251102	A1	11/2005	Hegland et al.	
2010/0030163	A1	2/2010	Carrez et al.	
2010/0219630	A1	9/2010	Readman	
2011/0009849	A1	1/2011	Christensen et al.	
2011/0015581	A1	1/2011	Fangrow, Jr.	
2013/0030387	A1	1/2013	Williams et al.	
2014/0209197	A1	7/2014	Carrez et al.	
2014/0358120	A1	12/2014	Haarala	
2015/0032089	A1	1/2015	Way	
2015/0157849	A1	6/2015	Phillips et al.	
2016/0199634	A1	7/2016	Gagliardini	
2020/0261710	A1	8/2020	Hallisey et al.	

FOREIGN PATENT DOCUMENTS

WO	2006010929	2/2006
WO	2012088463	6/2012

OTHER PUBLICATIONS

International Search Report and Written Opinion dated Dec. 5, 2016 for PCT/US2016/045601.
 Mottola, et al., U.S. Appl. No. 29/642,655, filed Mar. 30, 2018.
 Office Action dated Aug. 2, 2018 for U.S. Appl. No. 15/228,796.
 European Search Report dated Jan. 31, 2019 for EP16835668.1.
 European Search Report dated Feb. 12, 2019 for EP16835668.1.
 Office Action dated Jan. 28, 2019 for U.S. Appl. No. 15/228,796.
 Office Action dated Apr. 2, 2019 for U.S. Appl. No. 29/642,644.
 Notice of Allowance dated Jul. 31, 2019 for U.S. Appl. No. 29/642,644.
 Notice of Allowance dated Nov. 7, 2019 for U.S. Appl. No. 15/228,796.

* cited by examiner

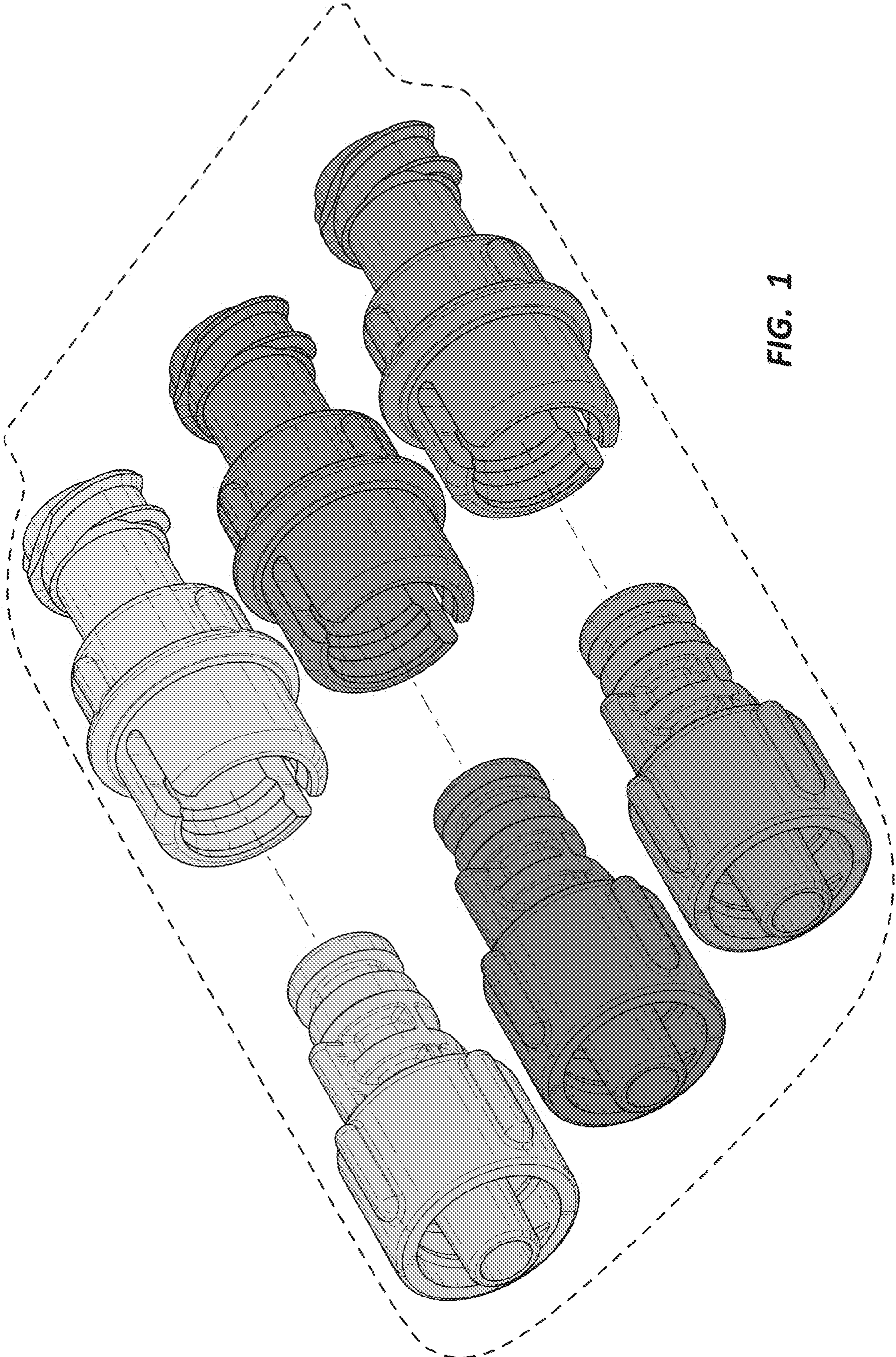


FIG. 1

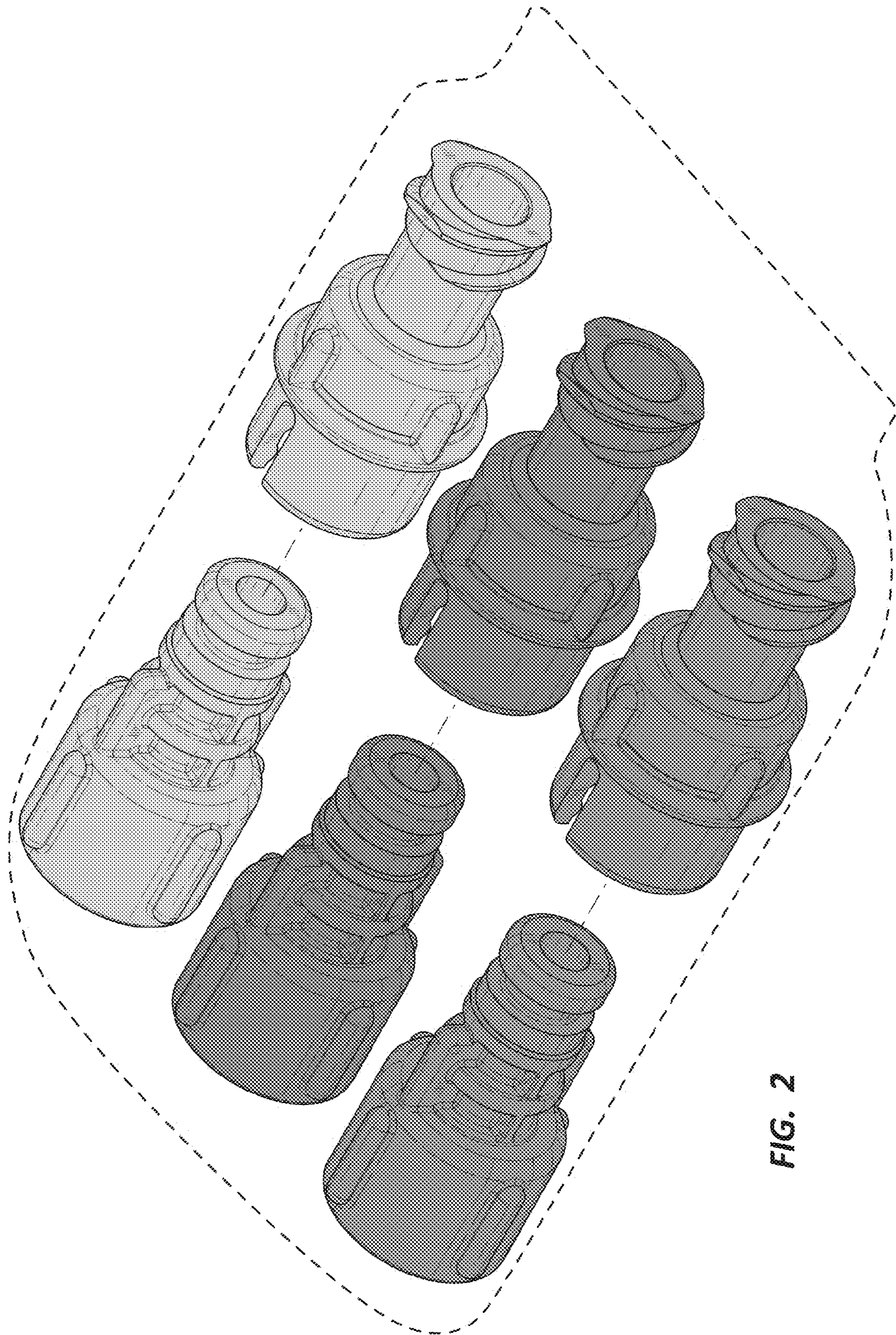


FIG. 2

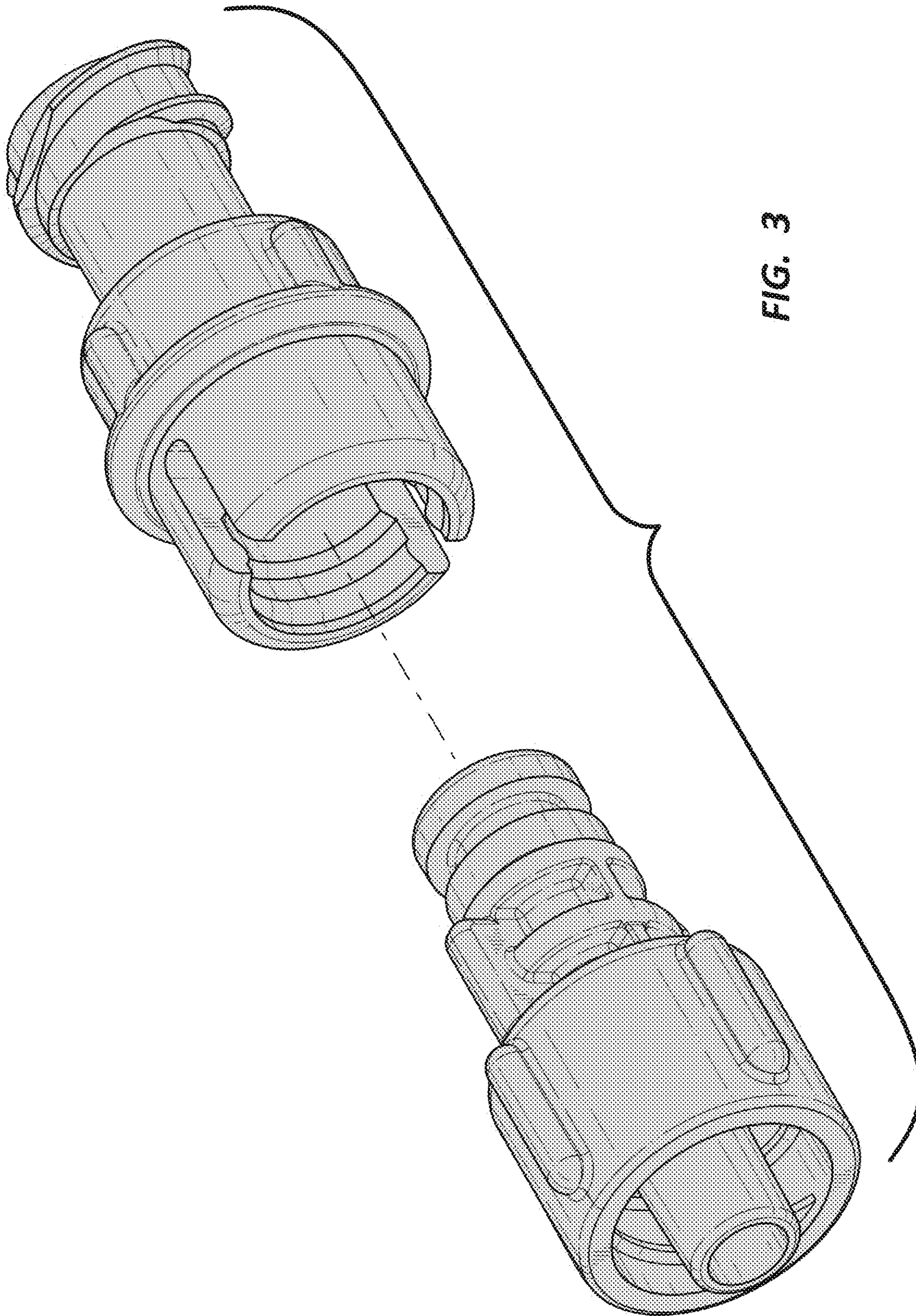


FIG. 3

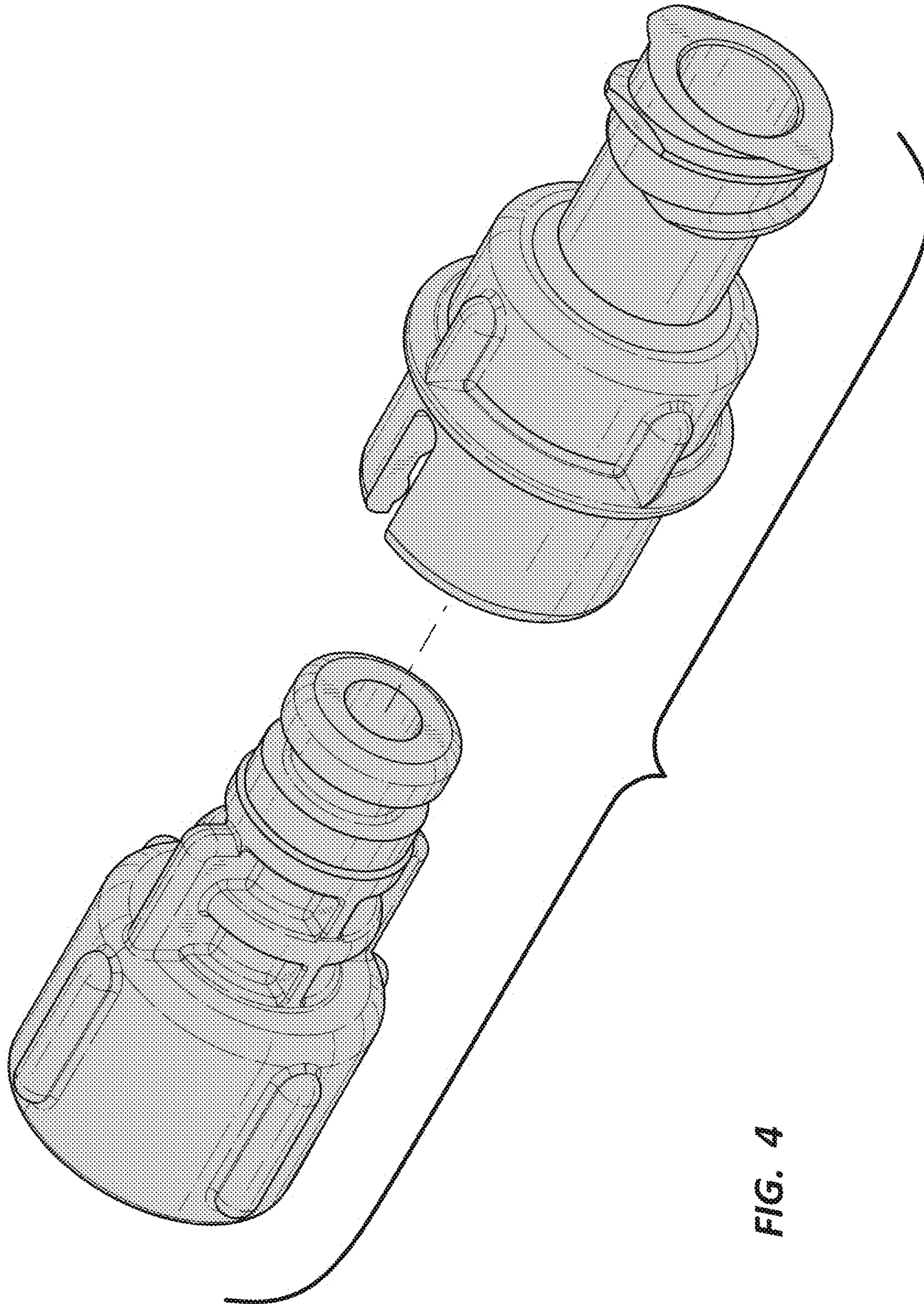


FIG. 4

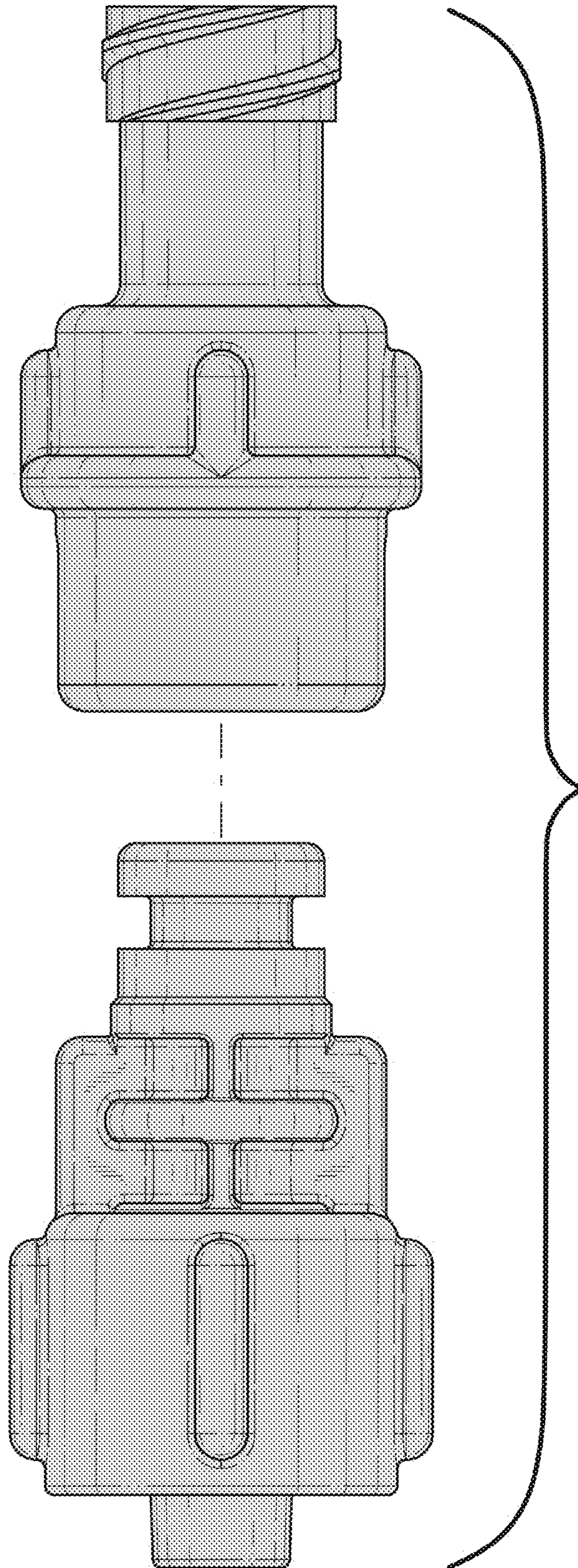


FIG. 5

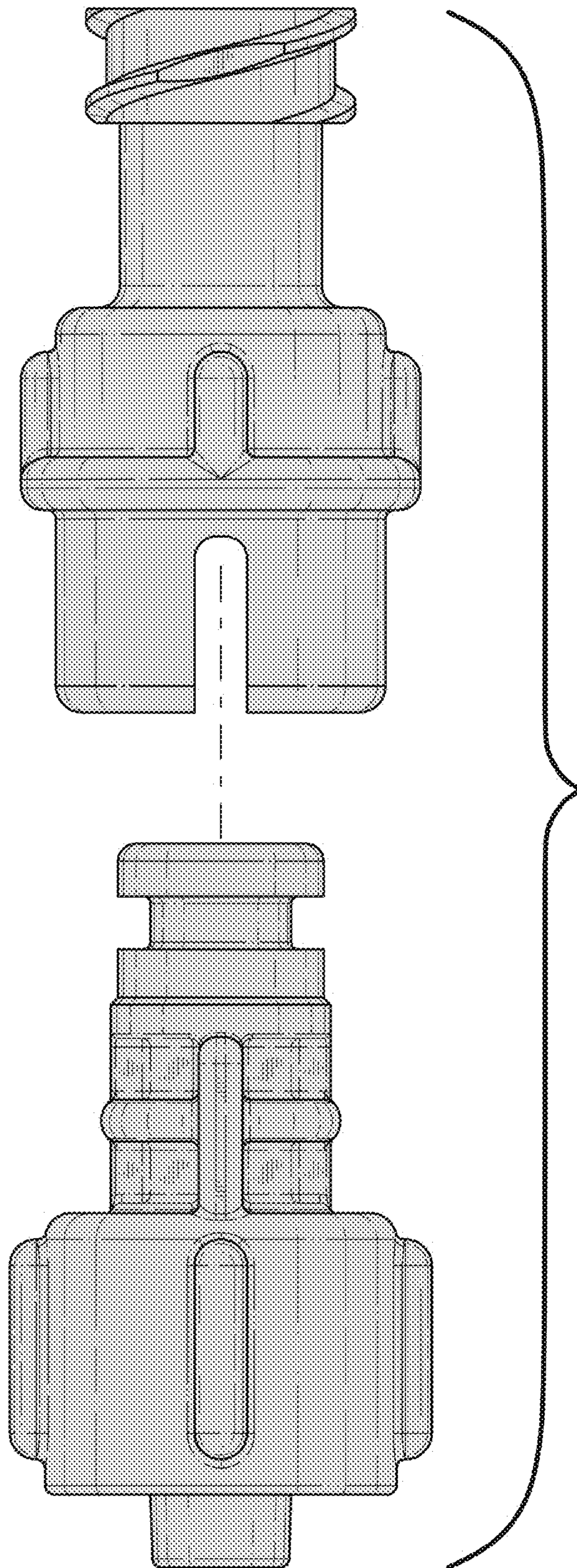


FIG. 6

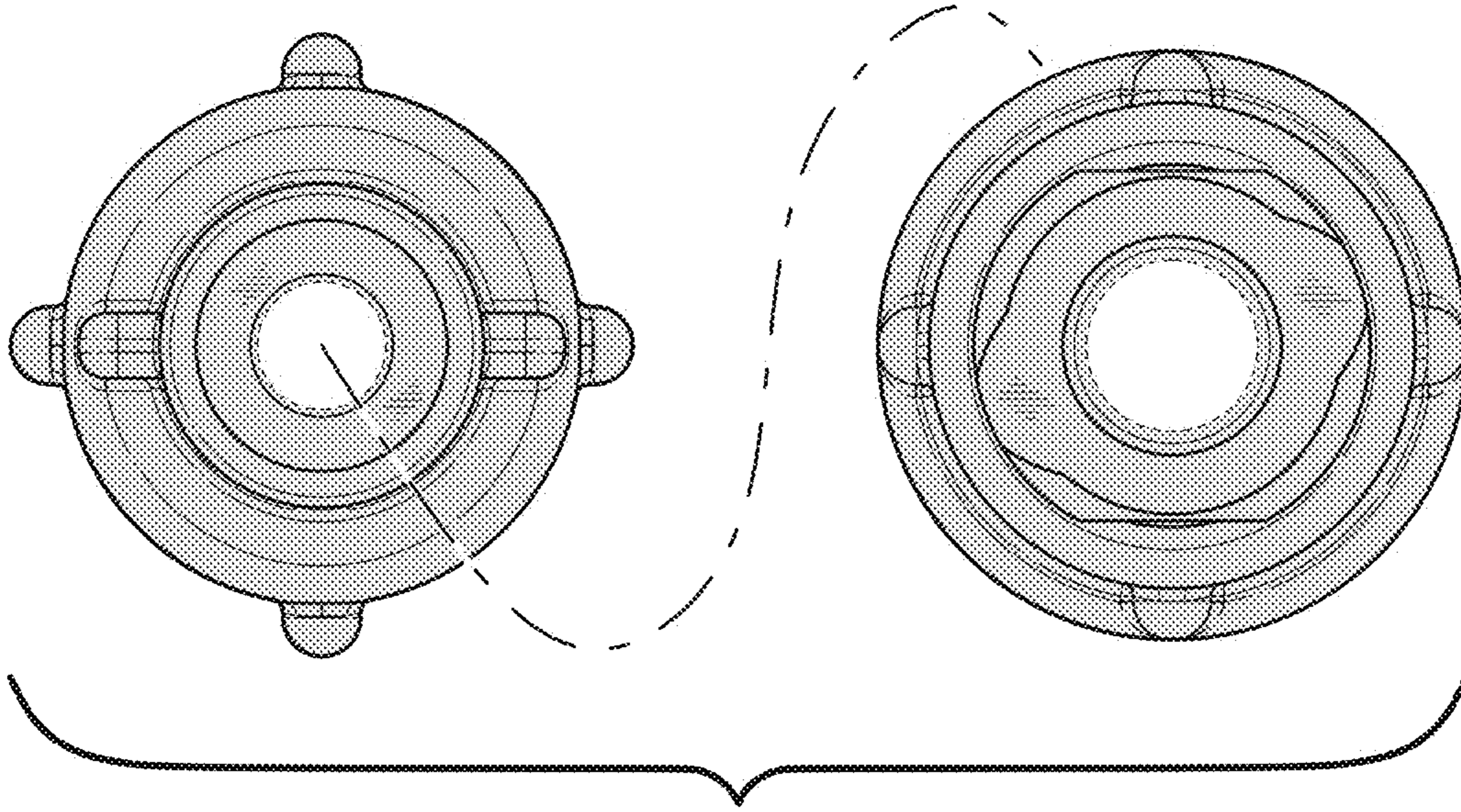


FIG. 8

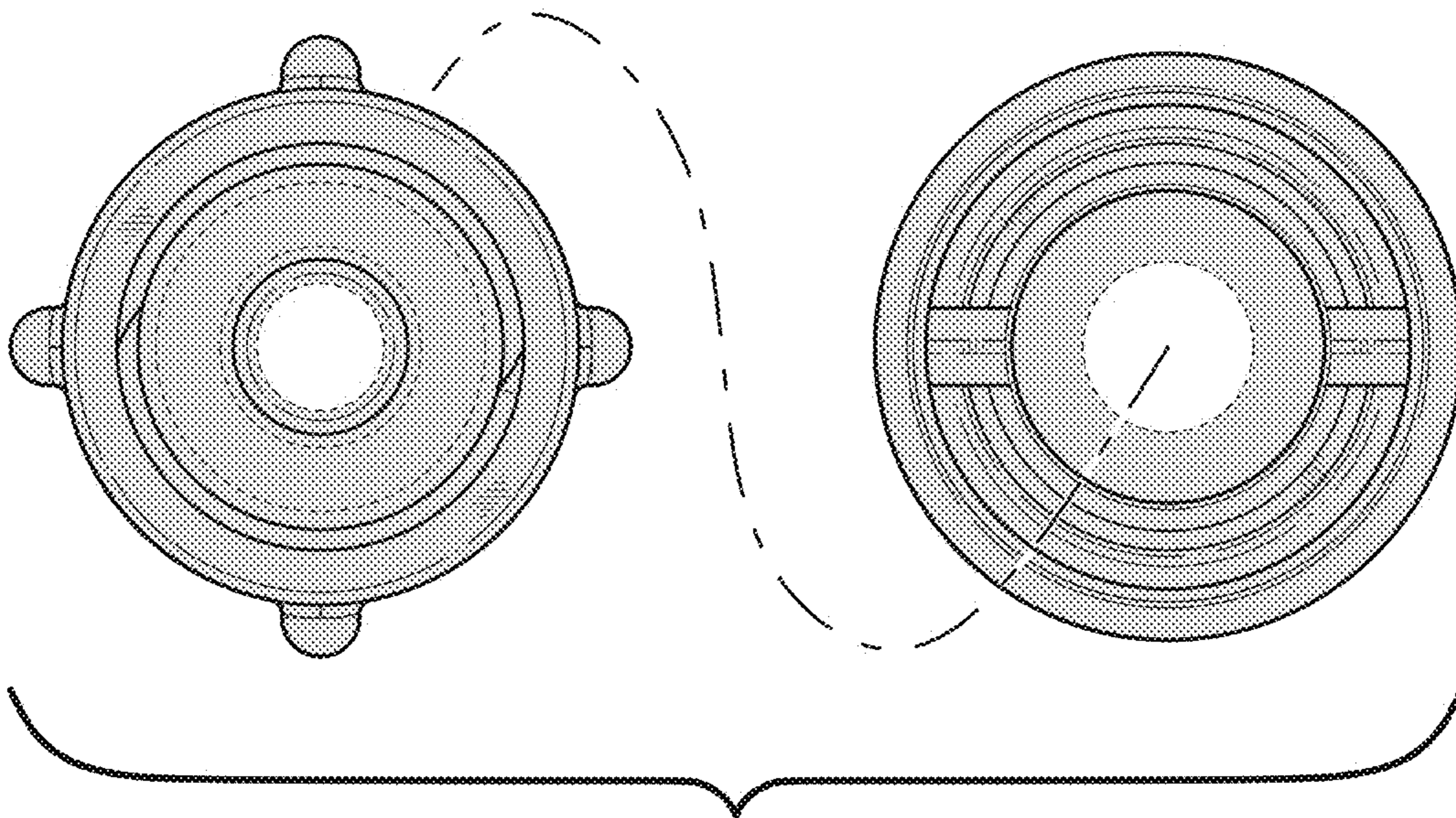


FIG. 7

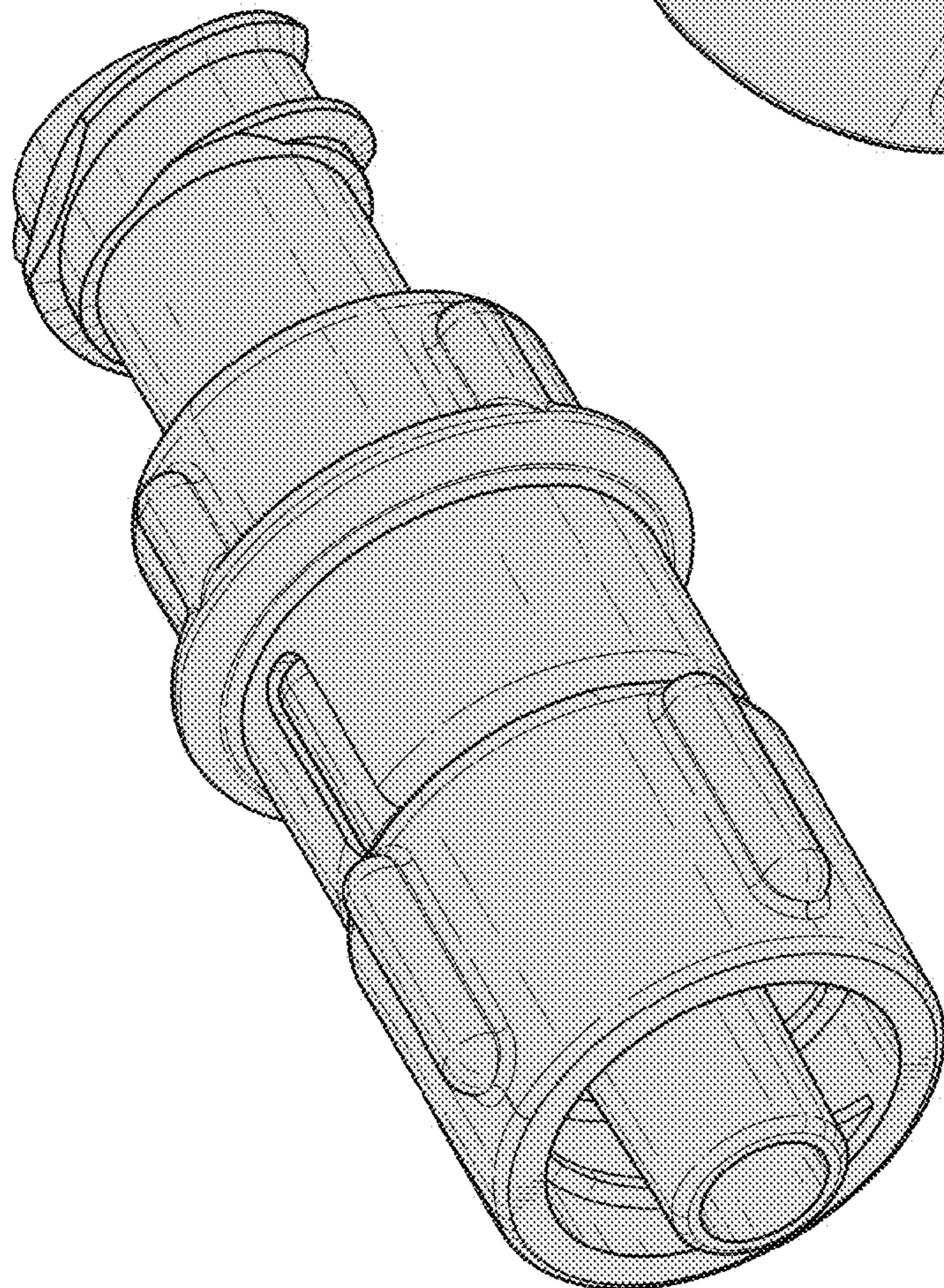


FIG. 9

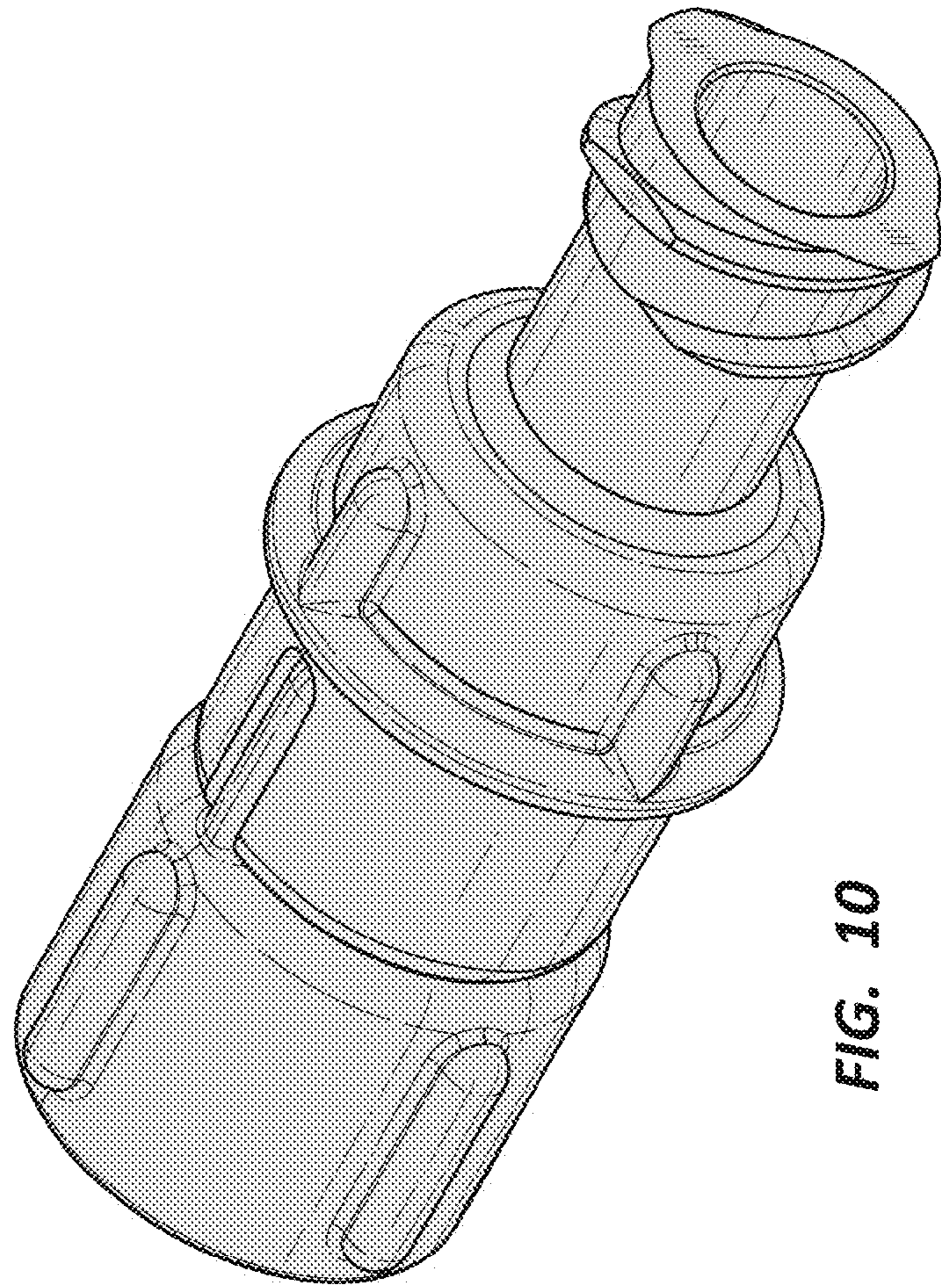


FIG. 10

FIG. 11

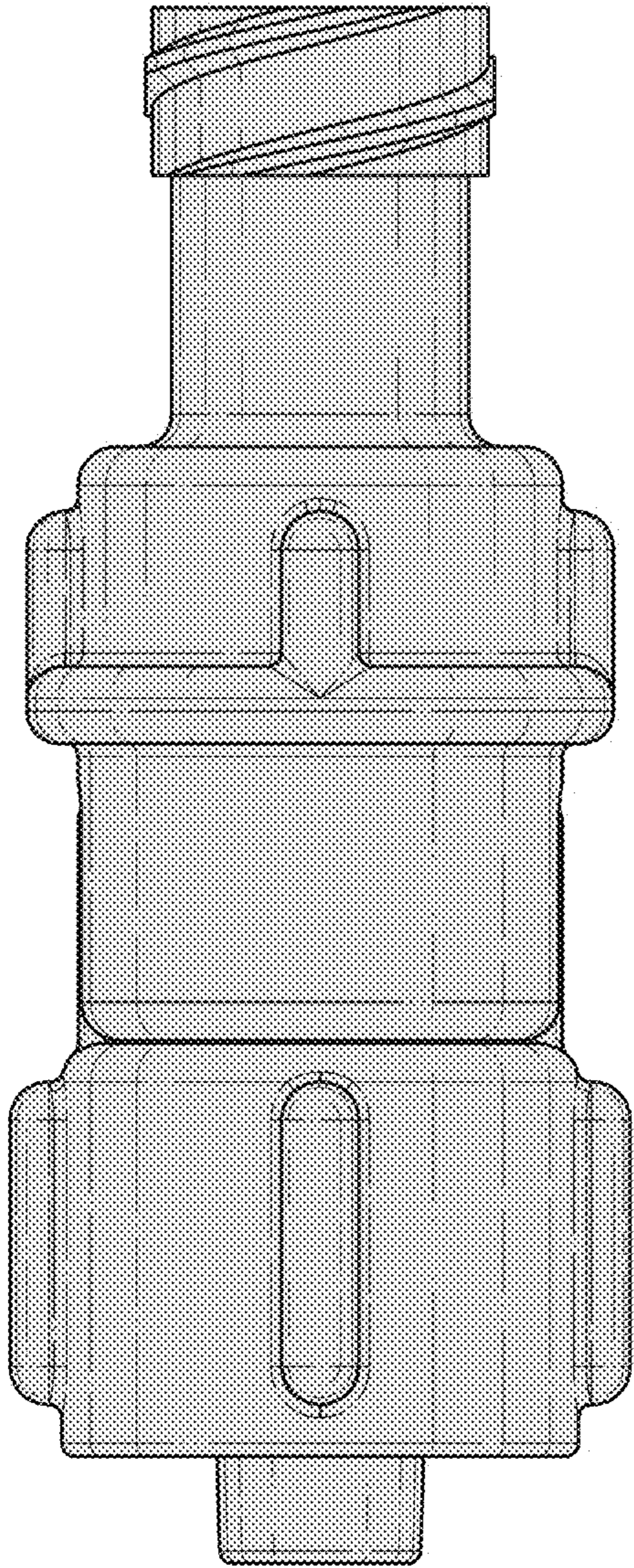
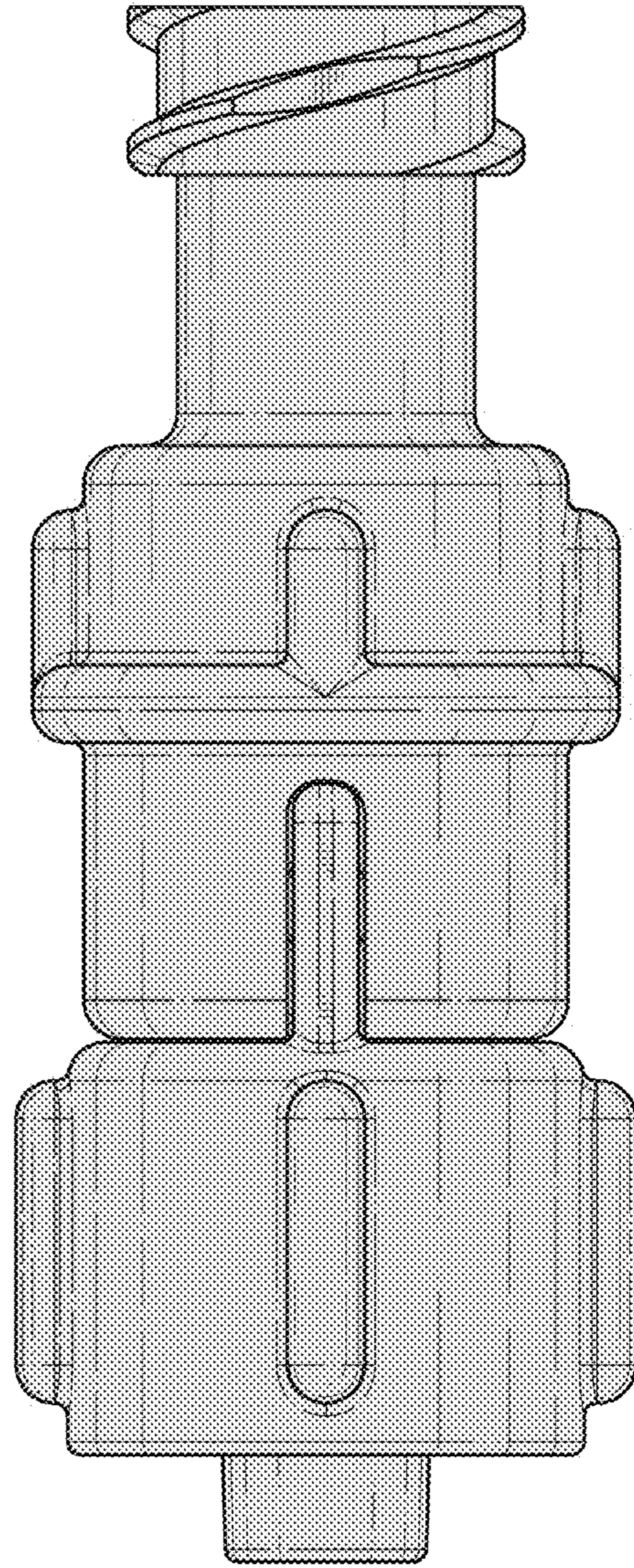


FIG. 12



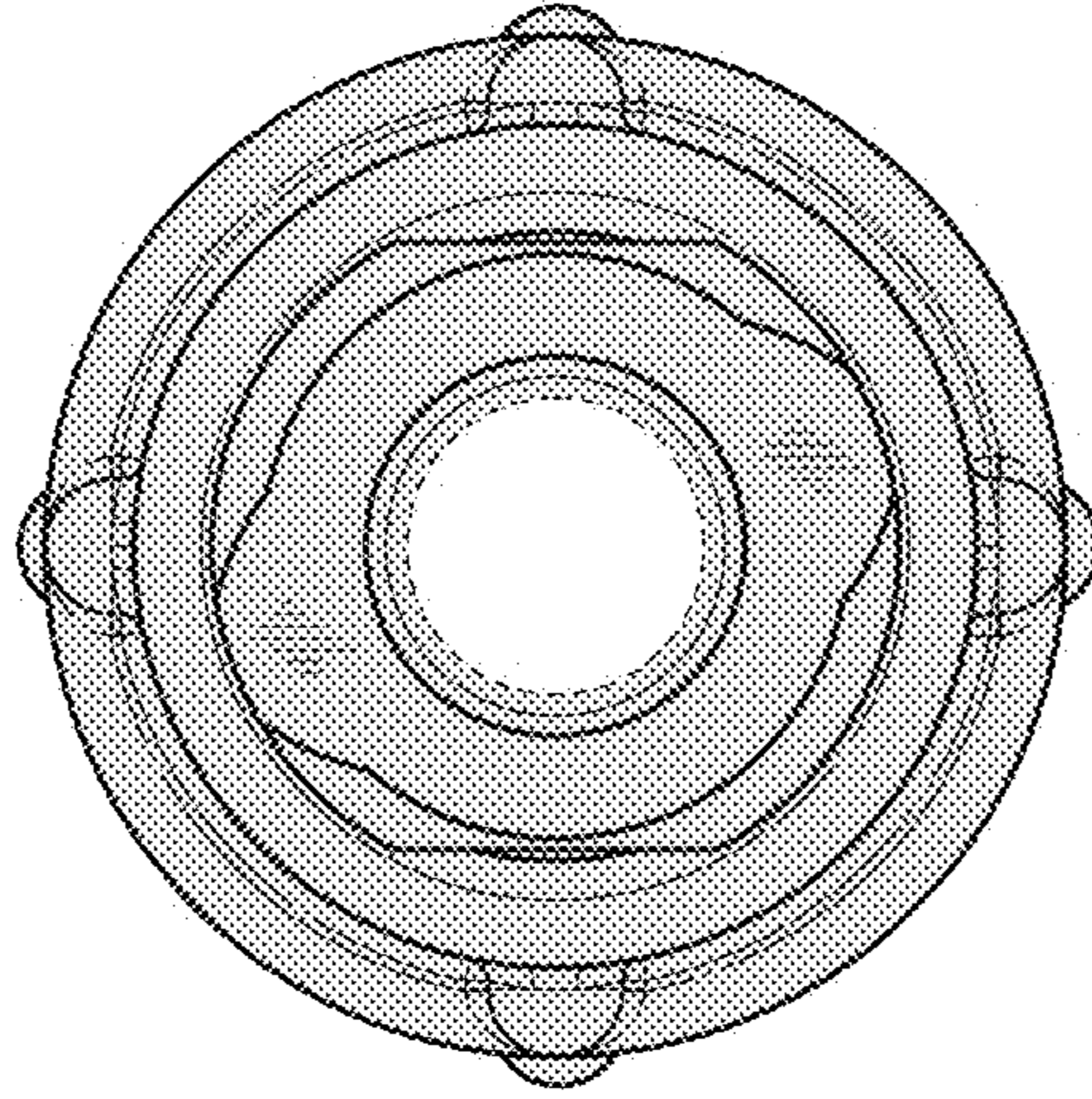


FIG. 14

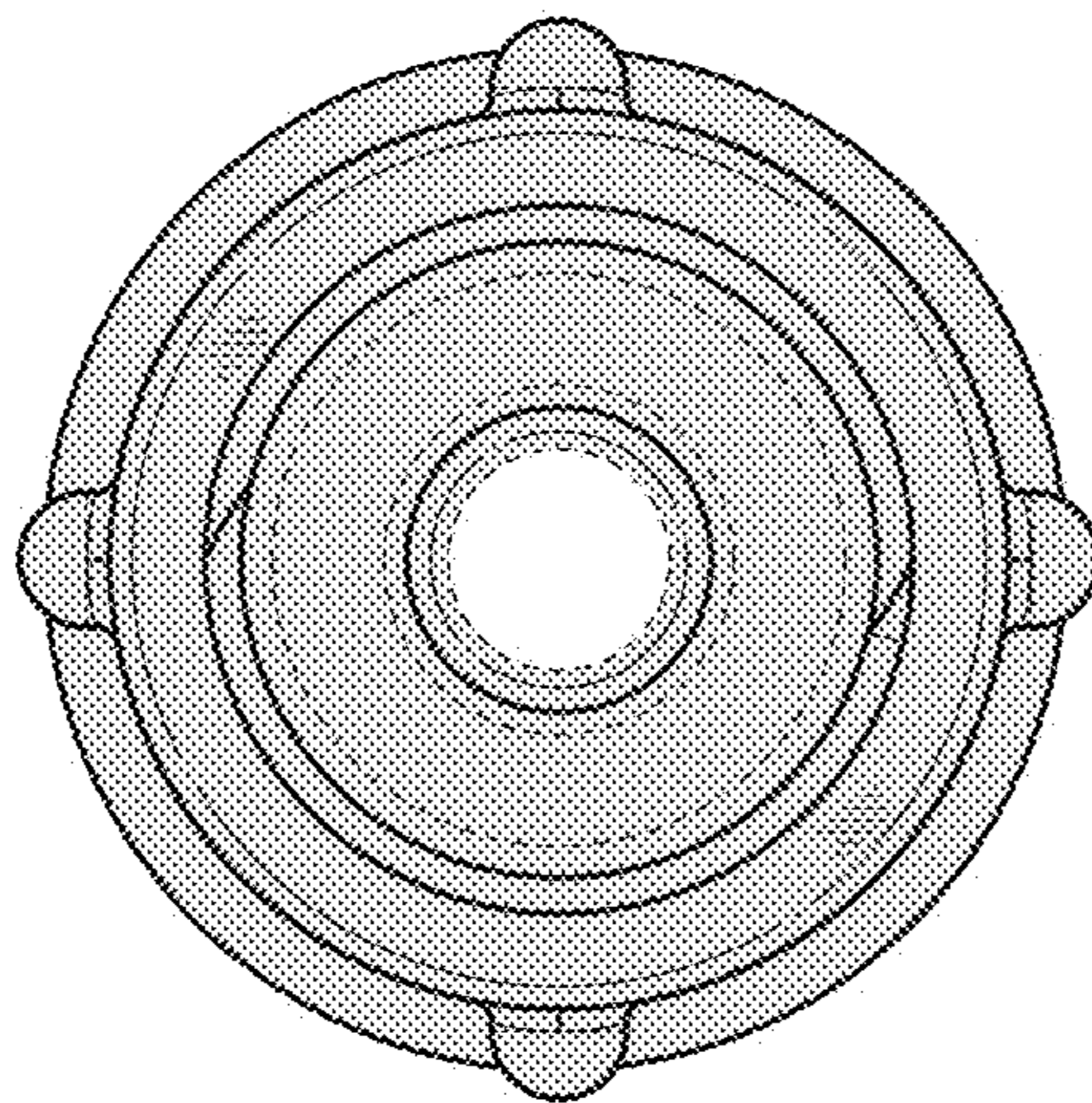


FIG. 13

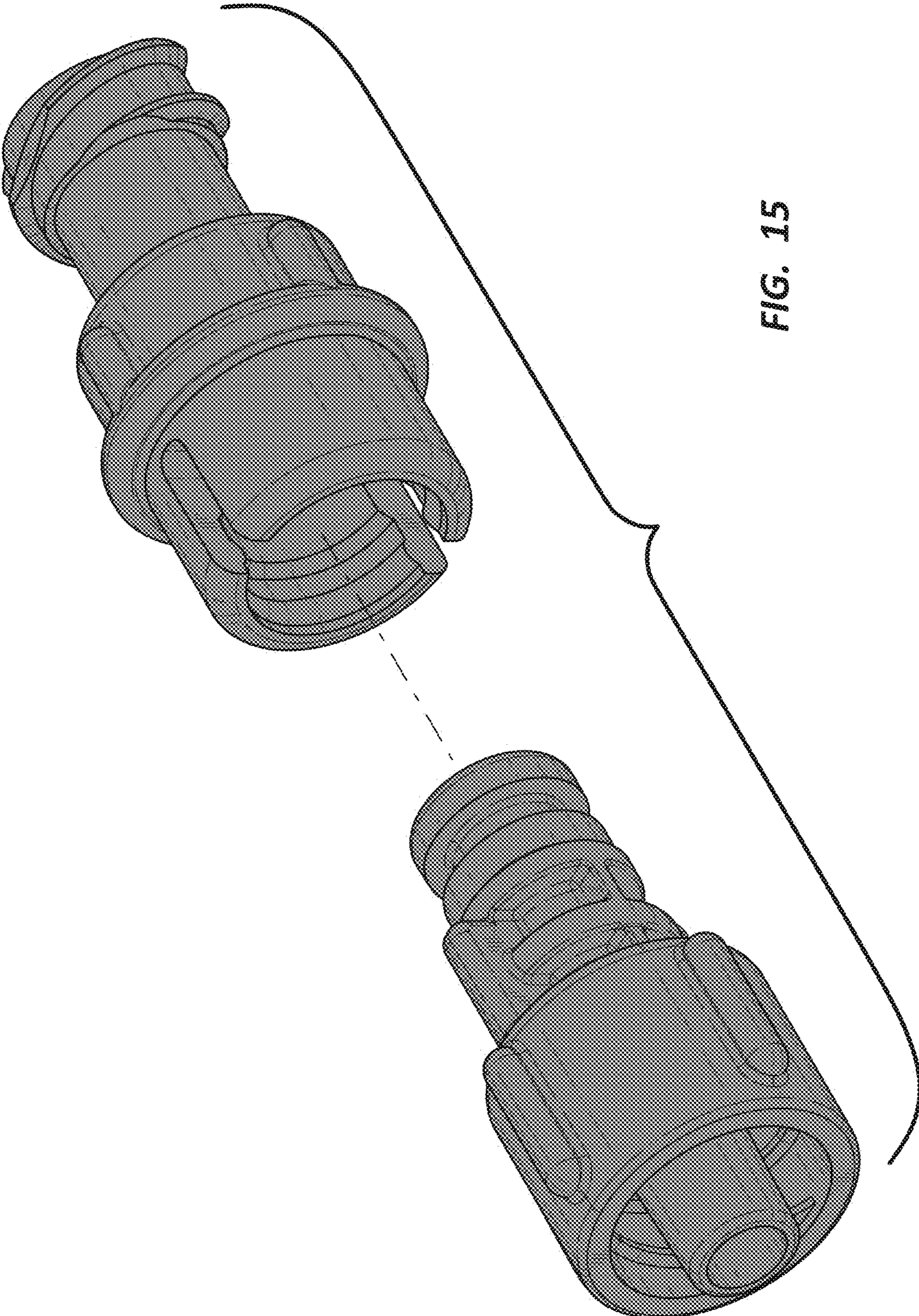


FIG. 15

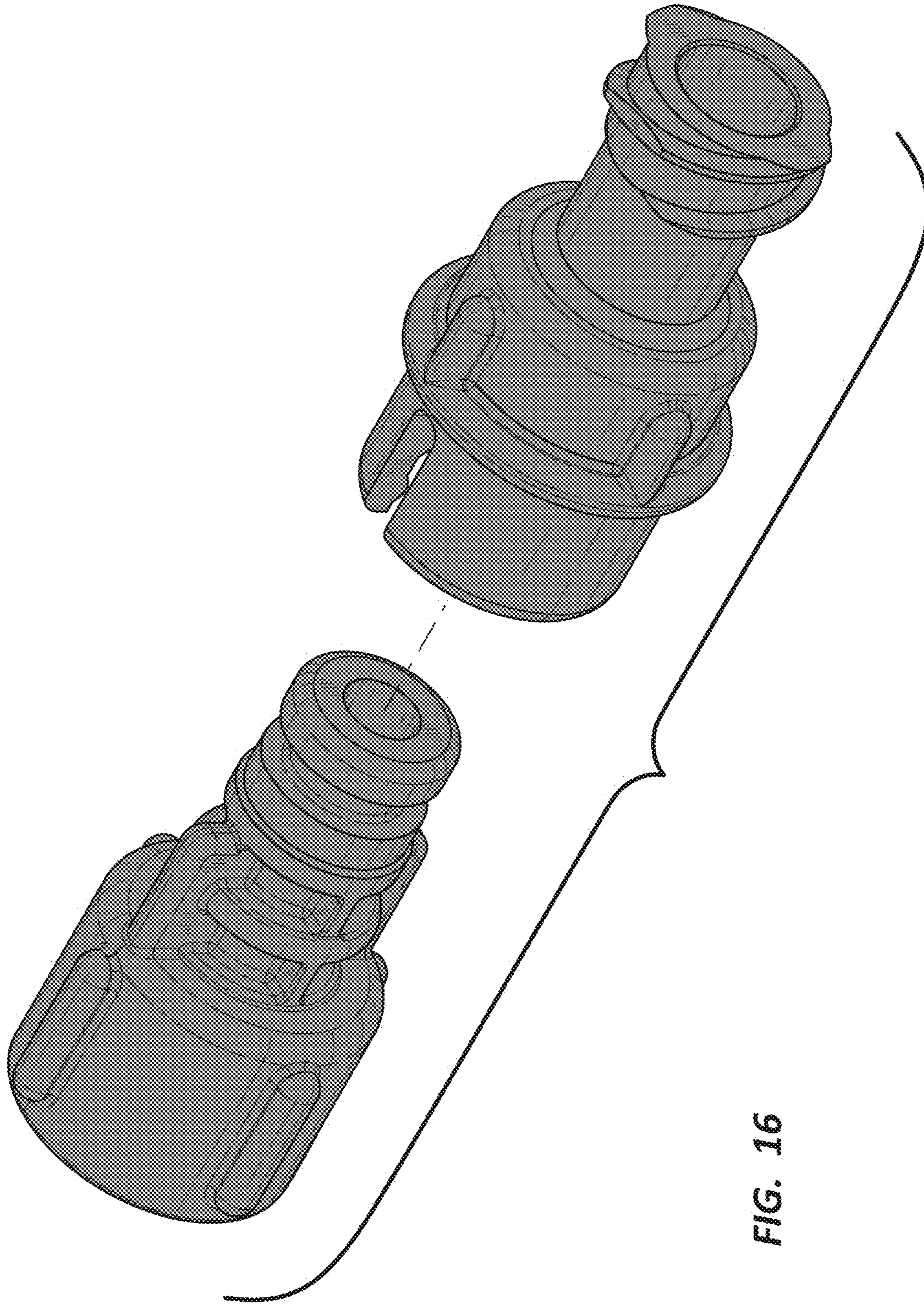


FIG. 16

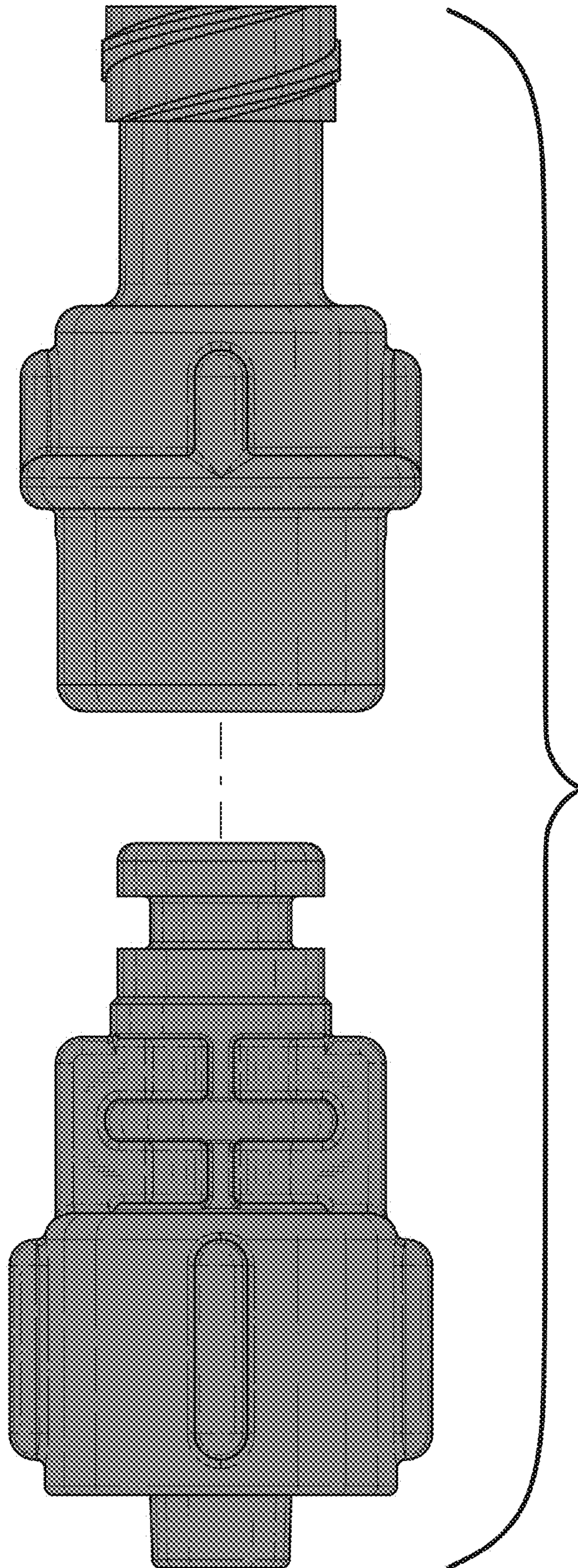


FIG. 17

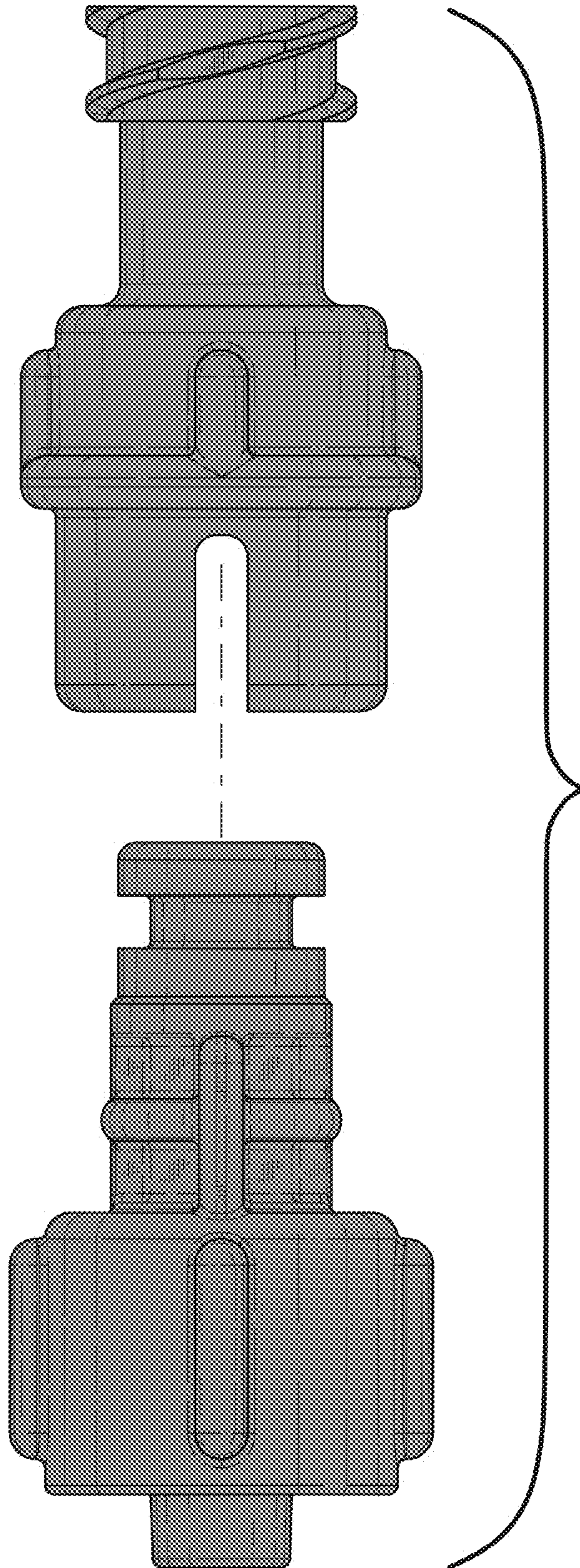


FIG. 18

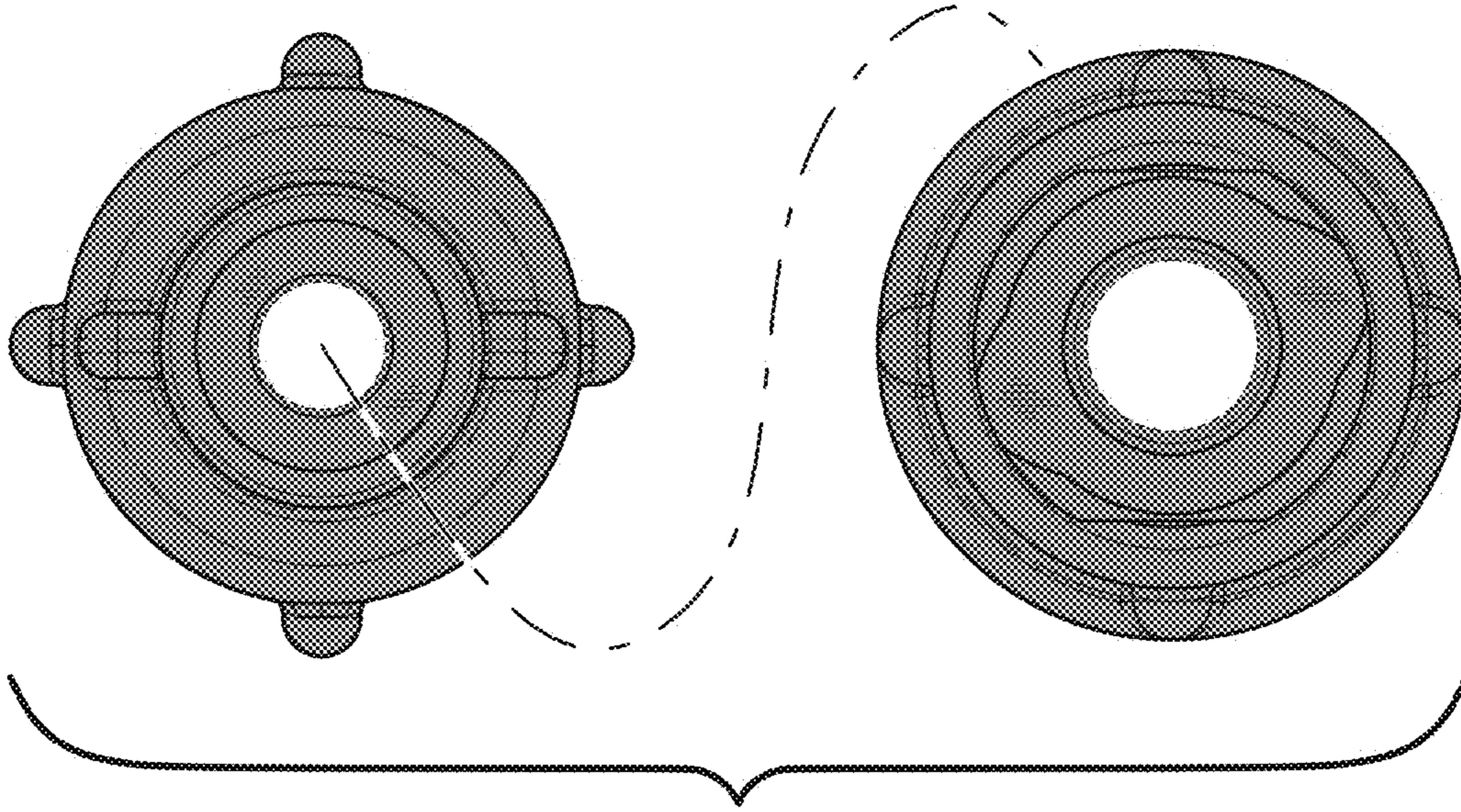


FIG. 20

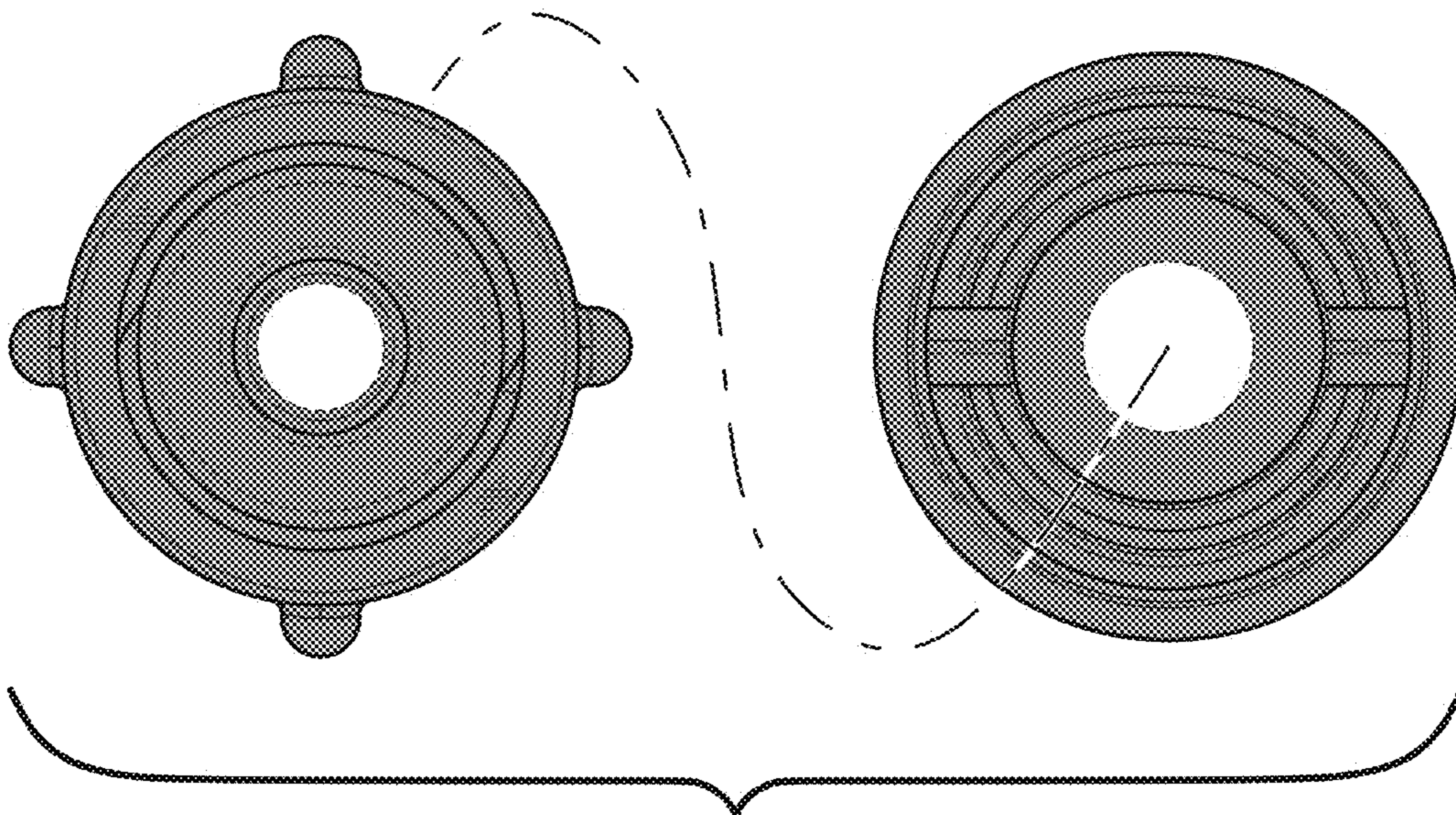


FIG. 19

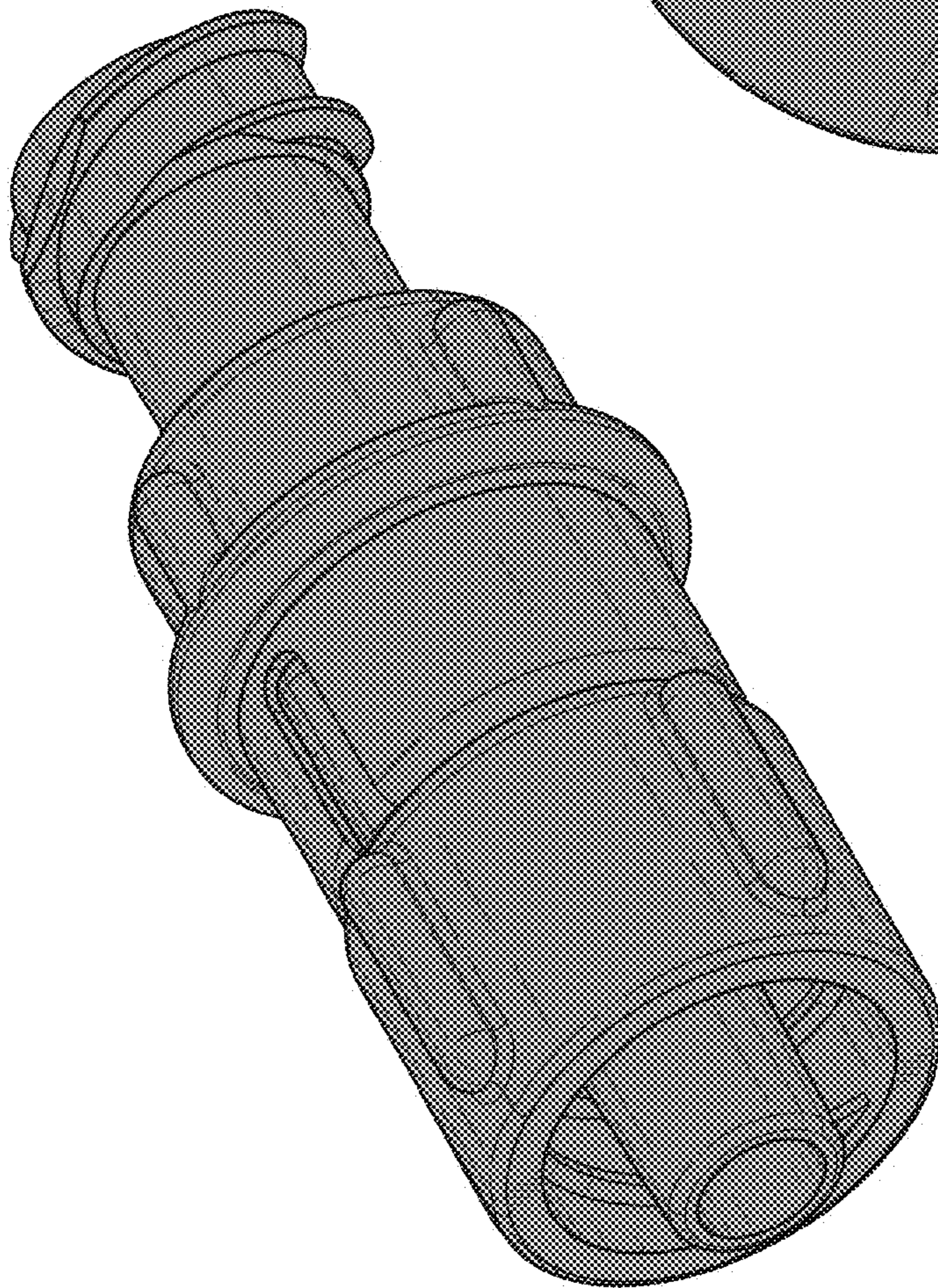


FIG. 21

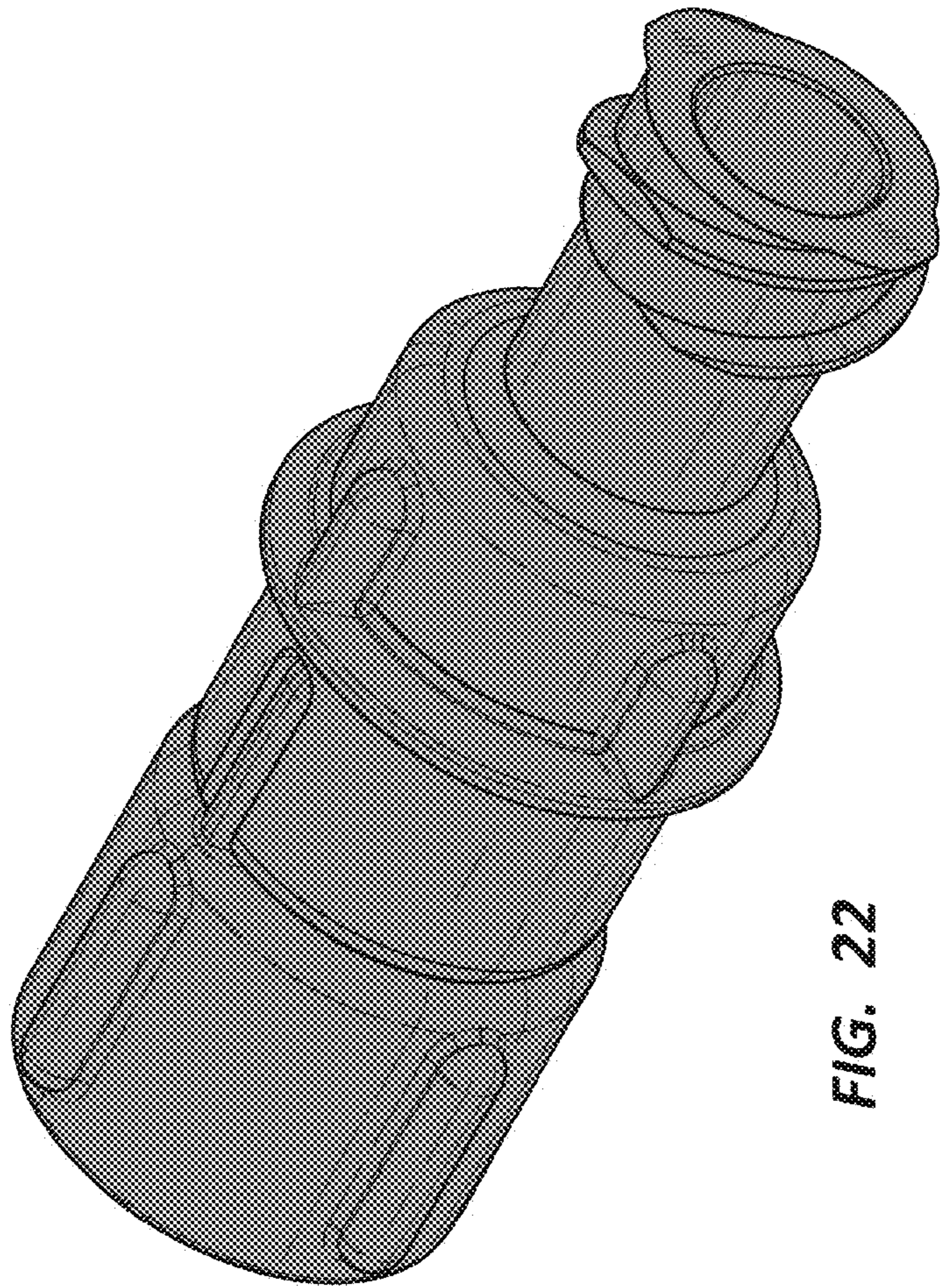


FIG. 22

FIG. 23

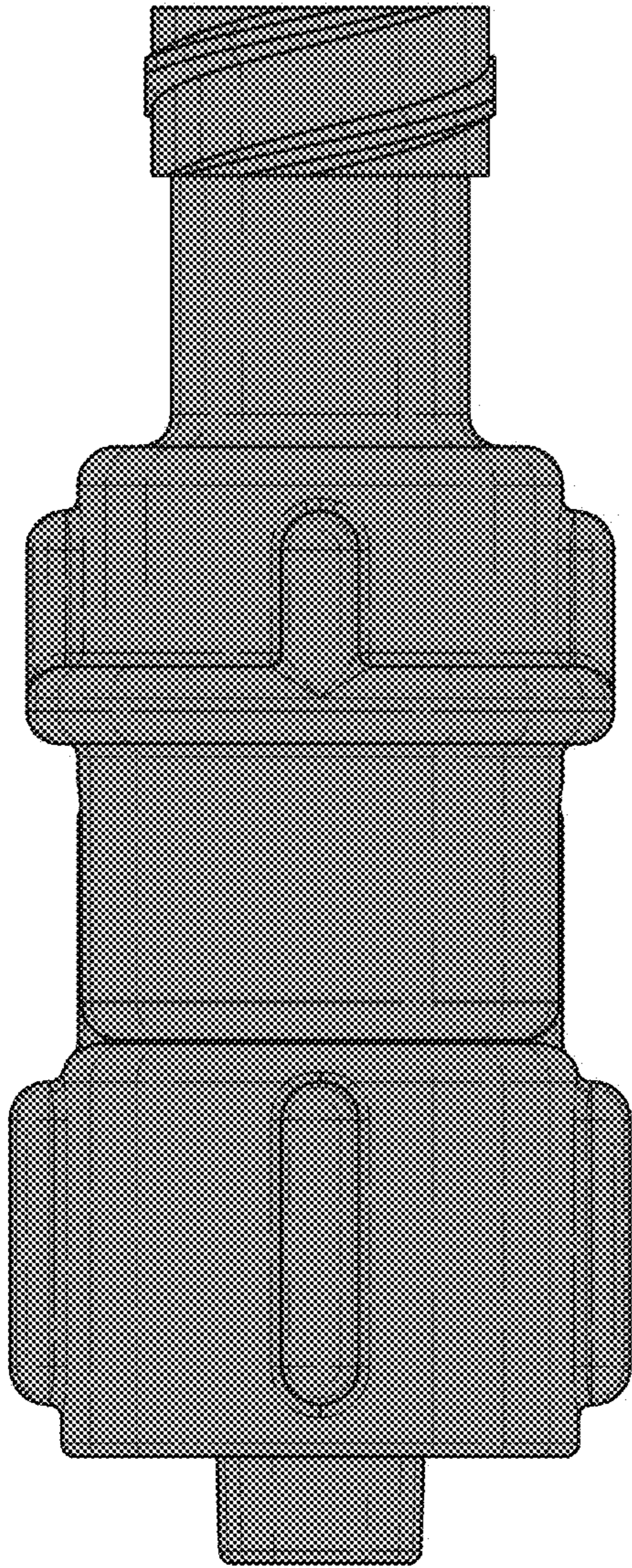
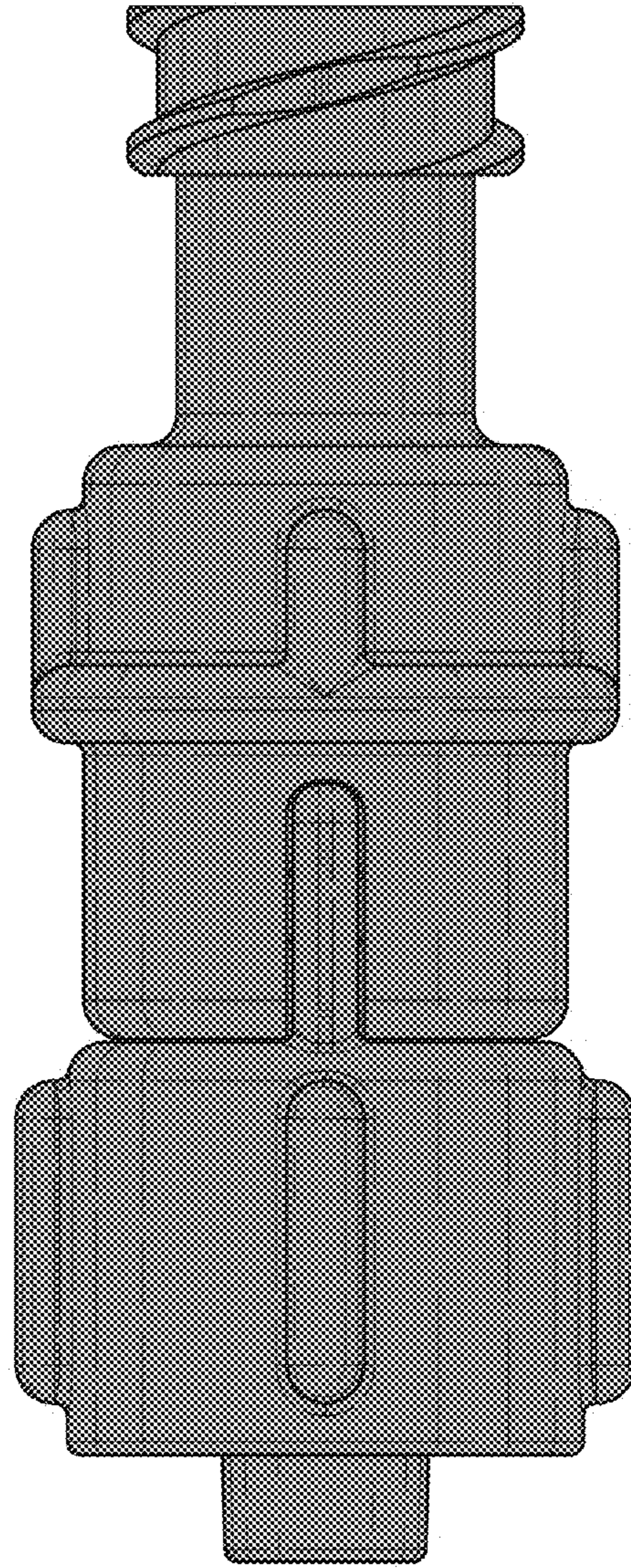


FIG. 24



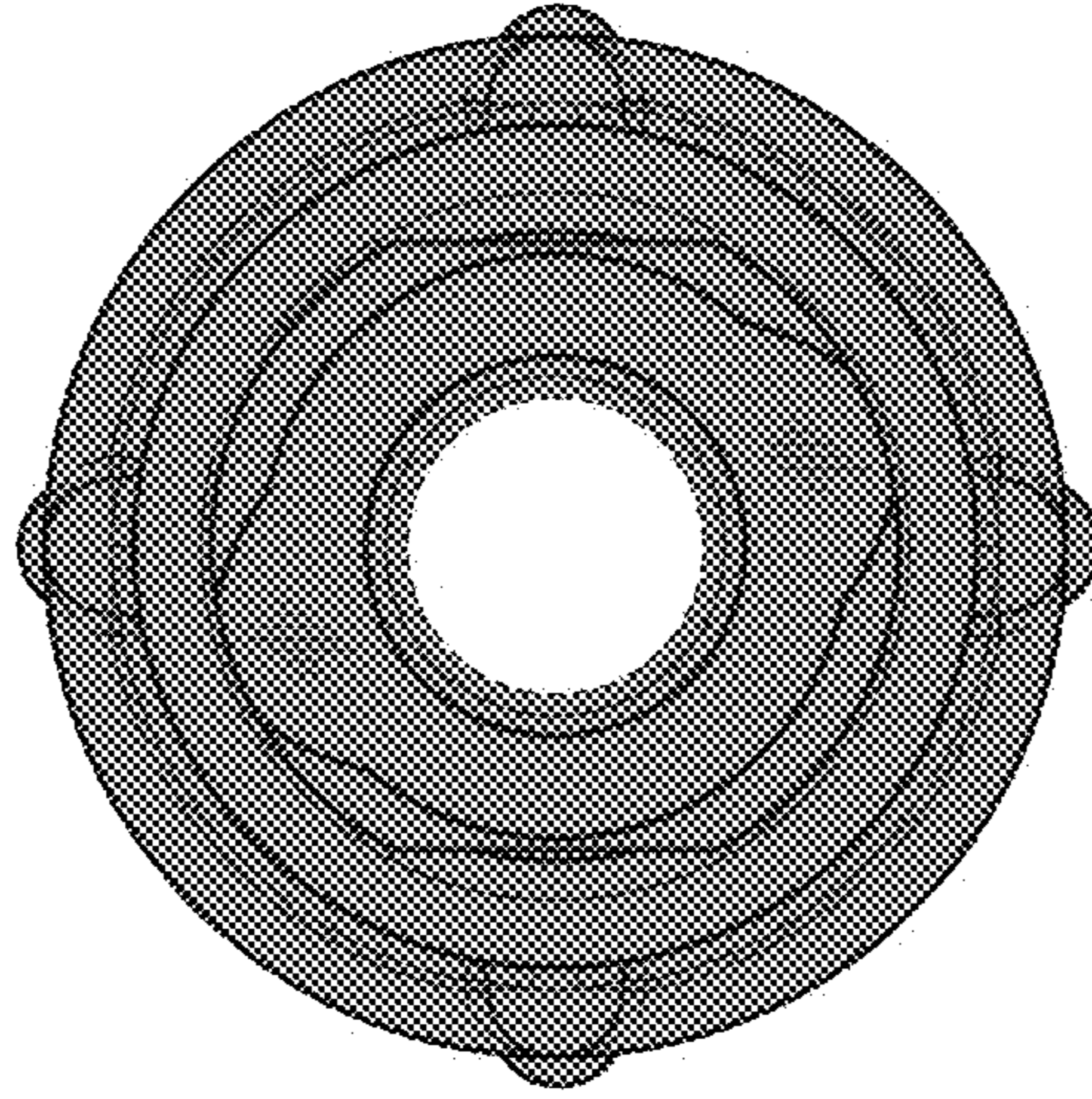


FIG. 25

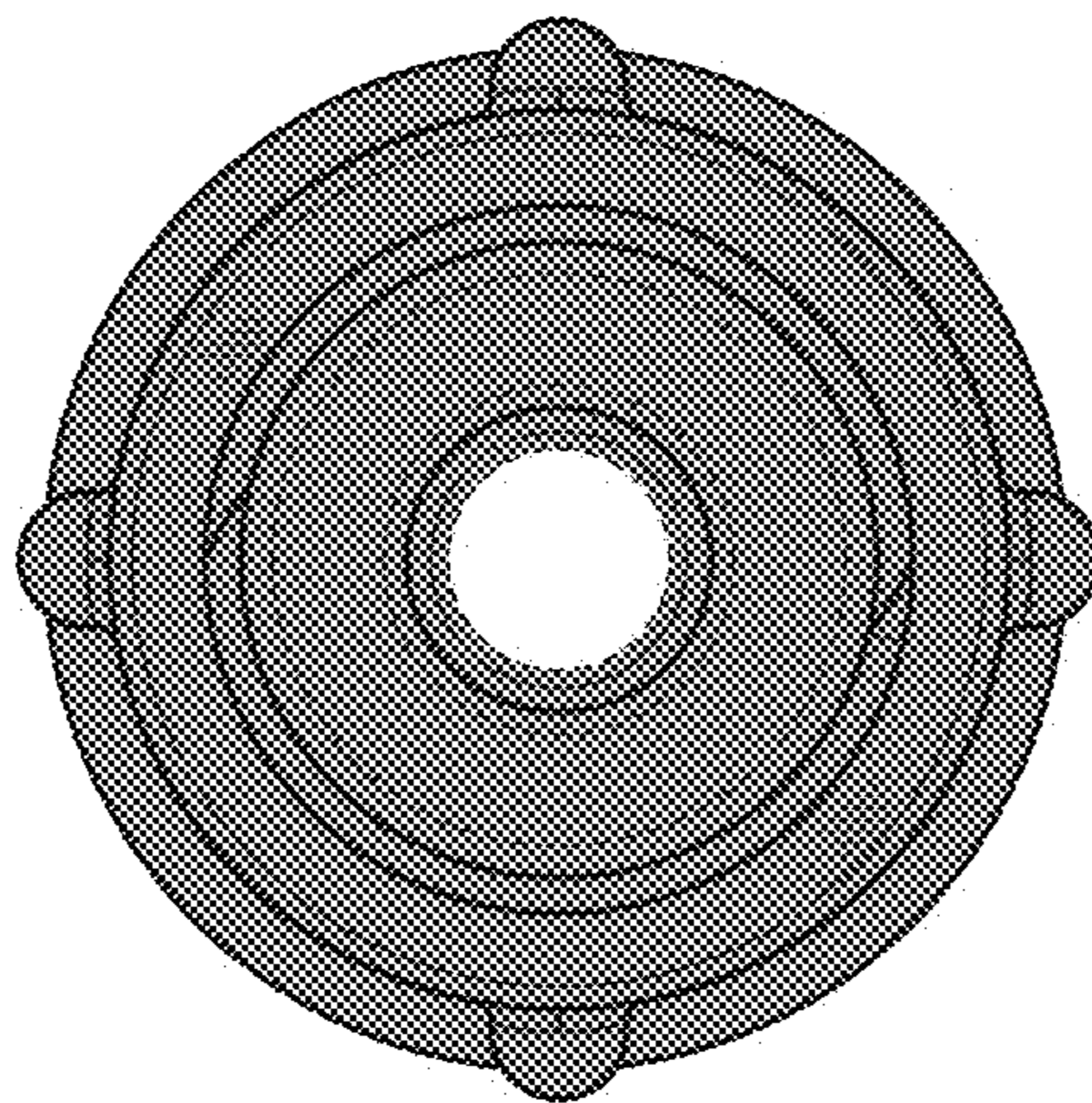


FIG. 26

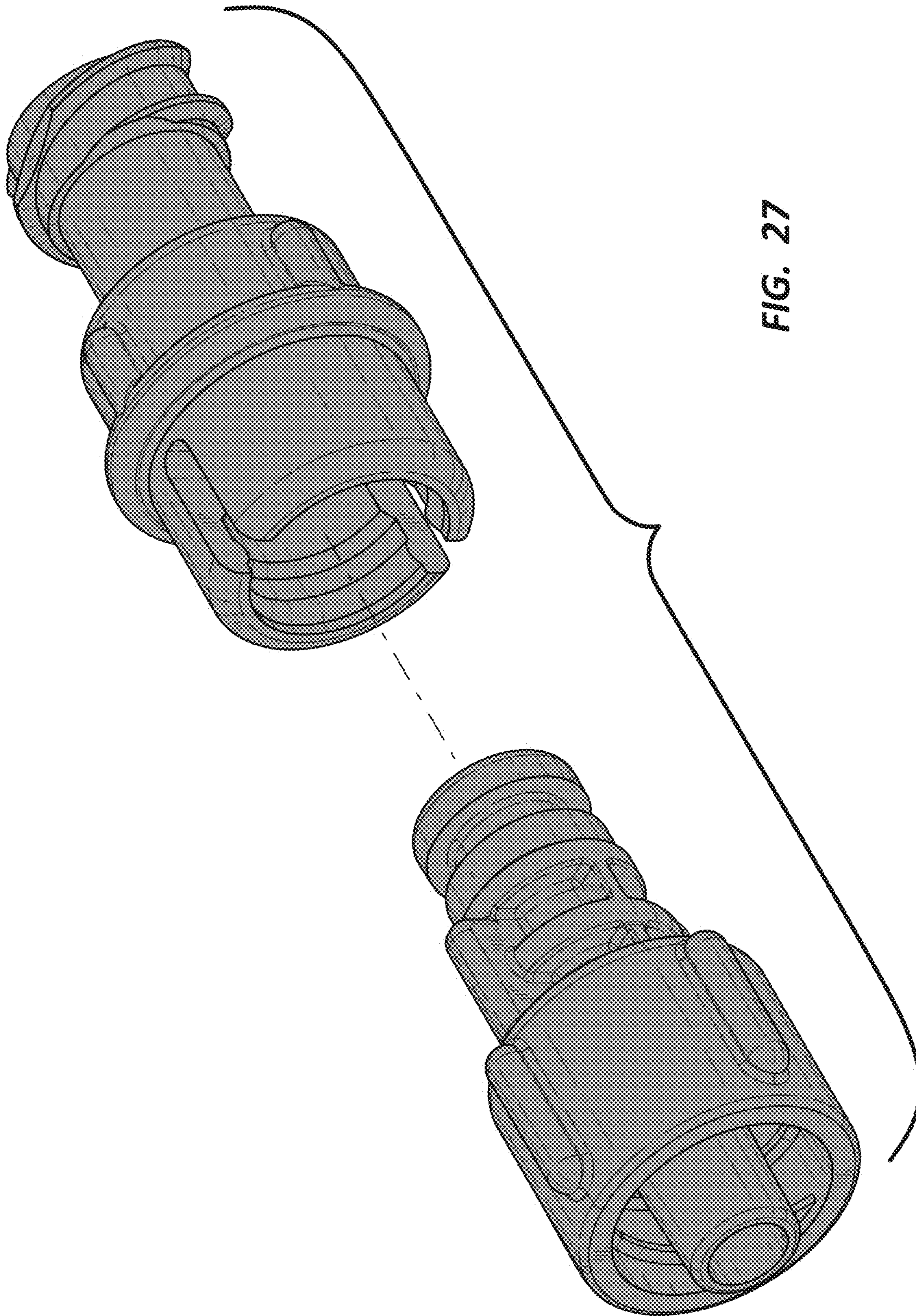


FIG. 27

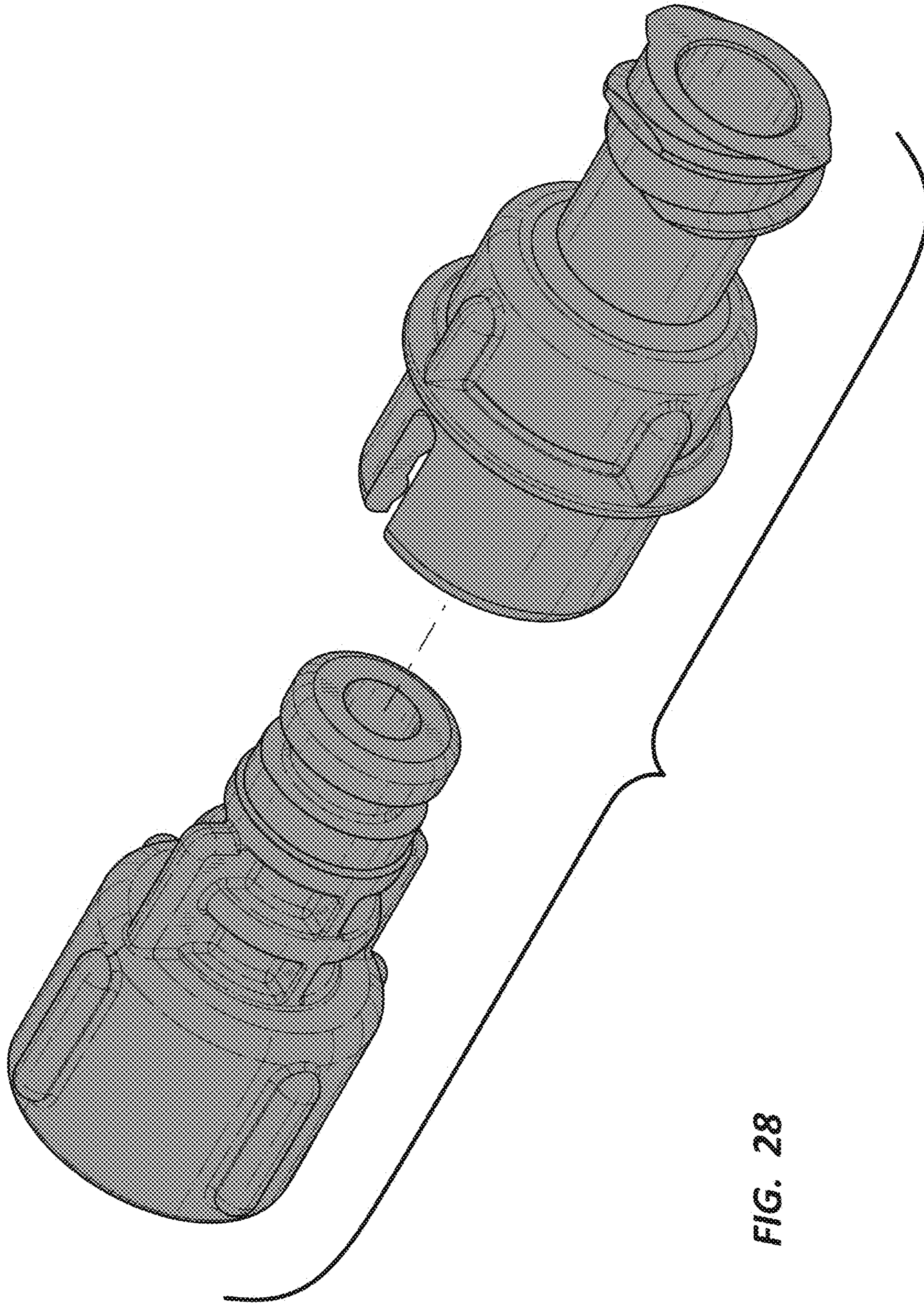


FIG. 28

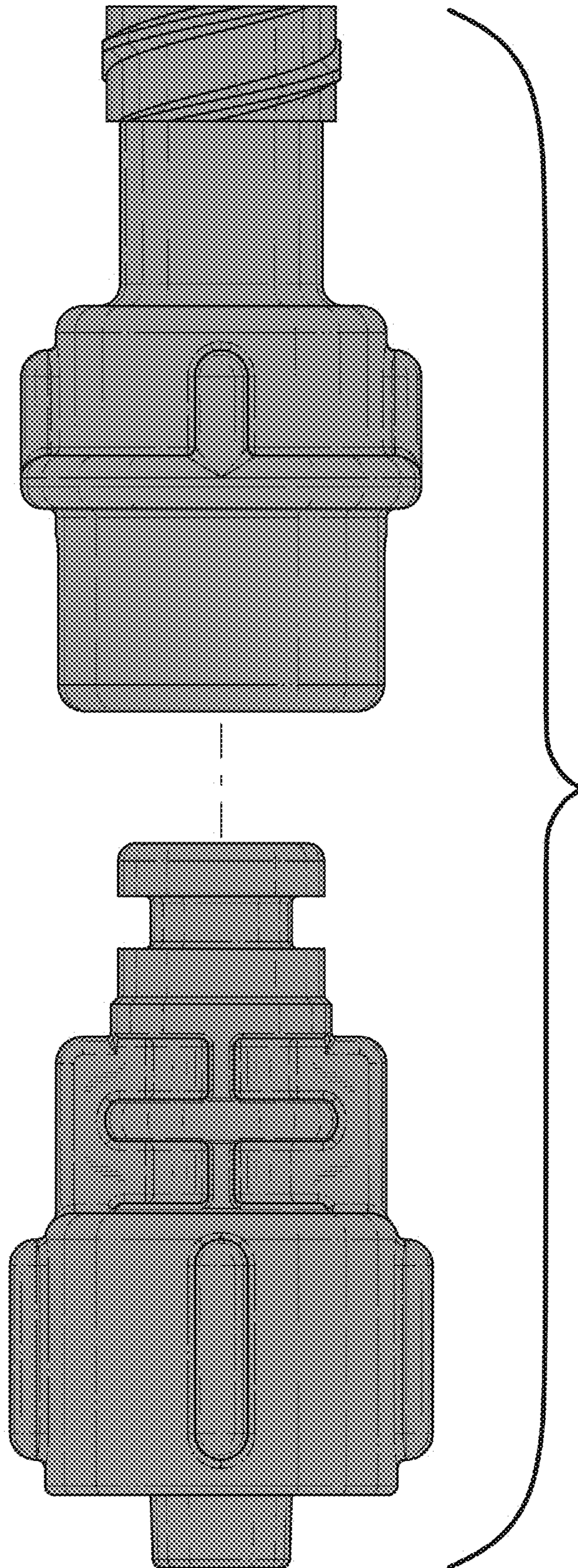


FIG. 29

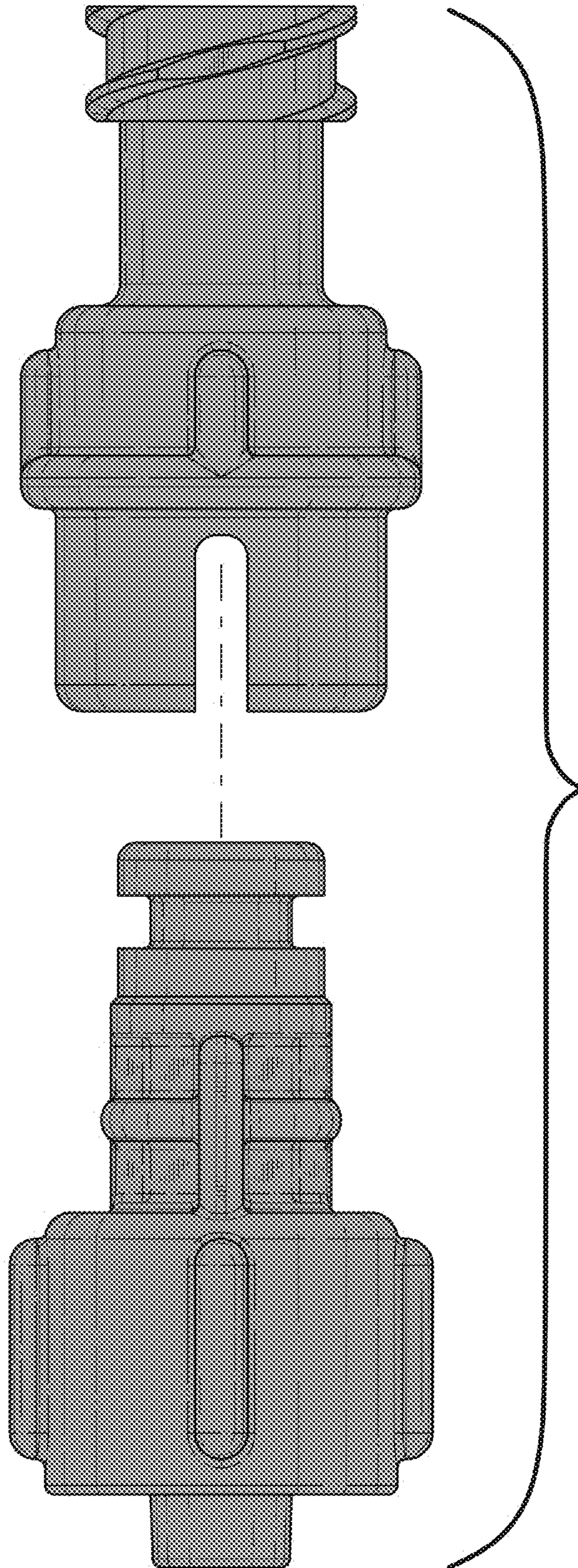


FIG. 30

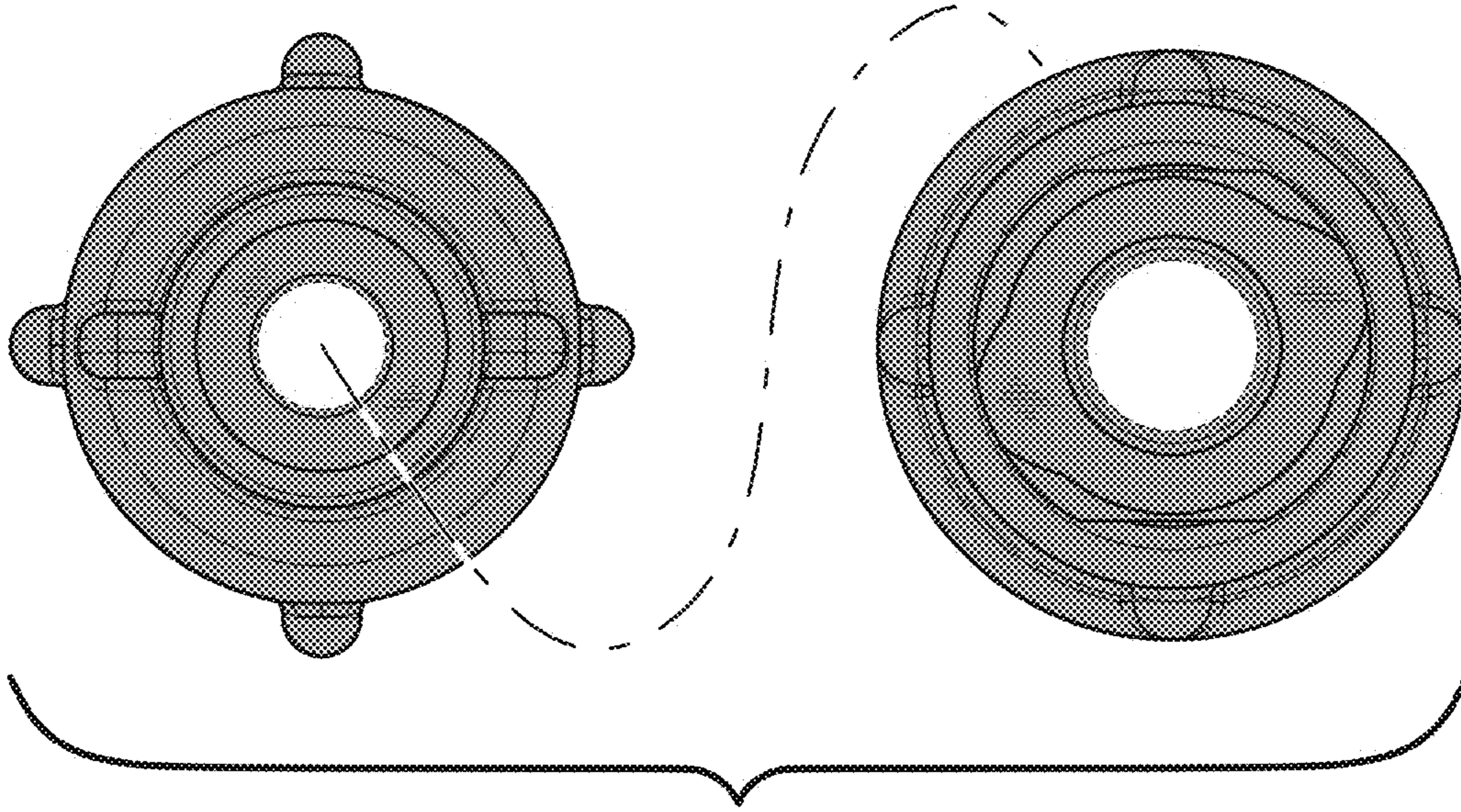


FIG. 32

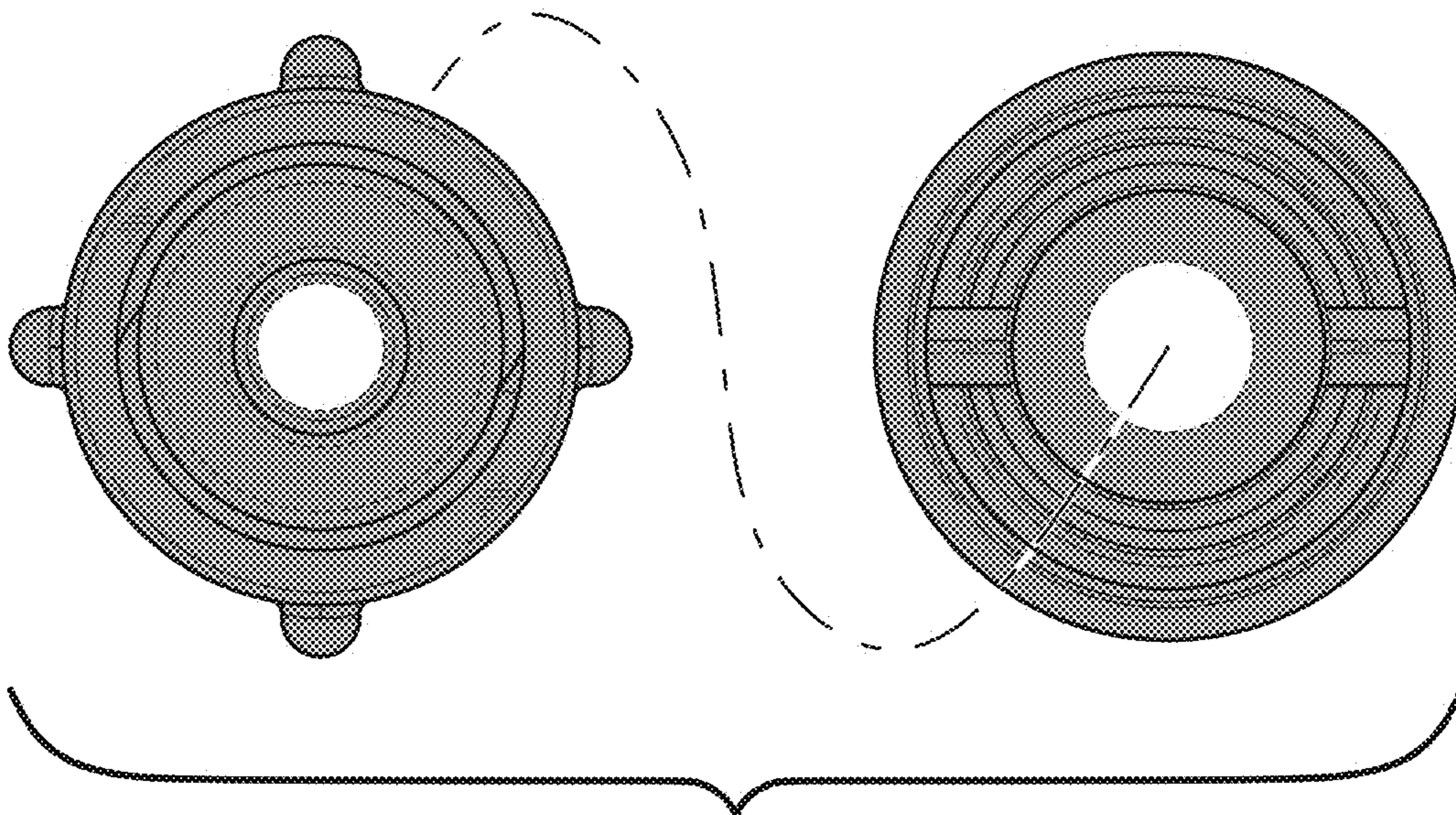


FIG. 31

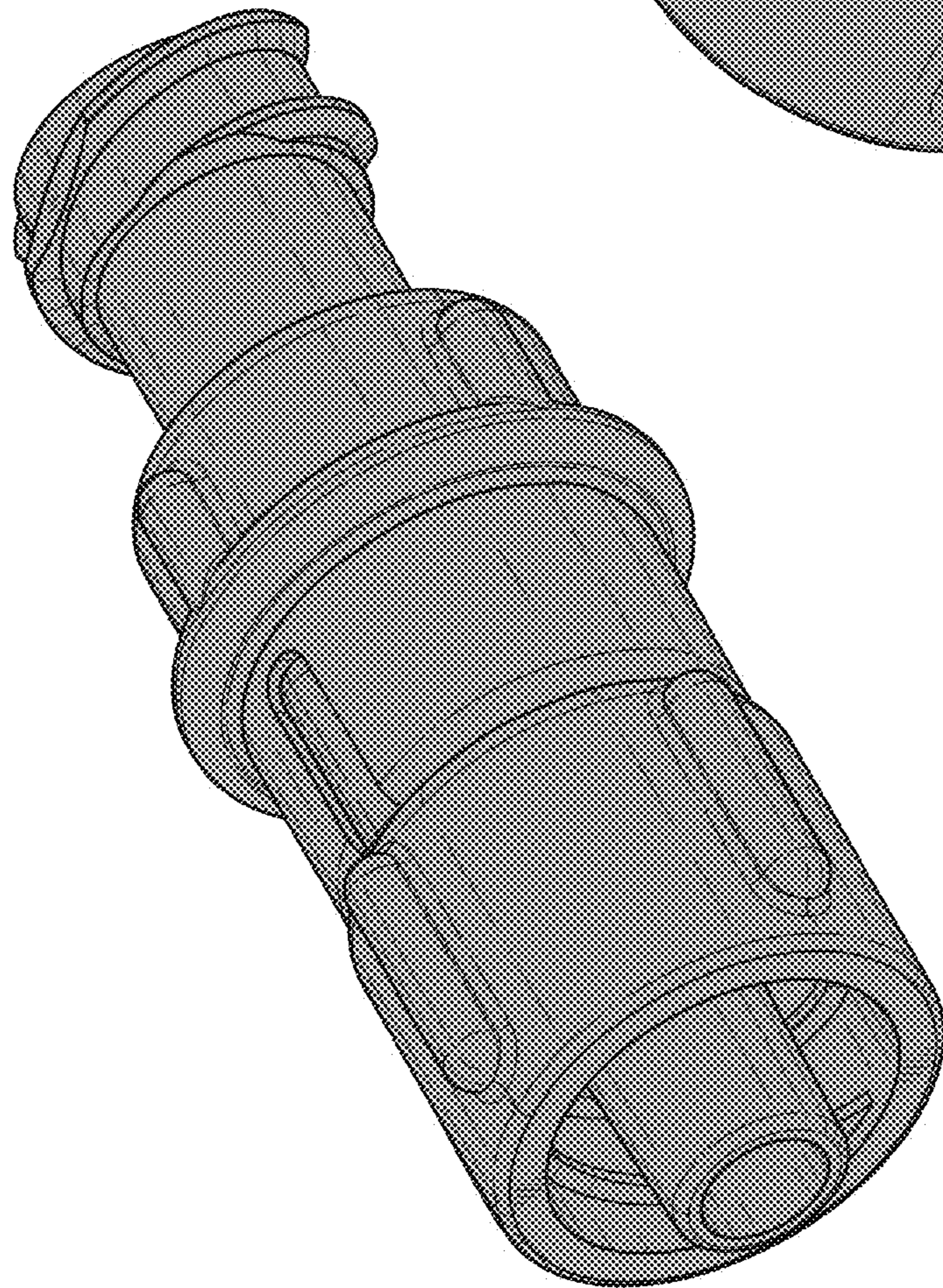


FIG. 33

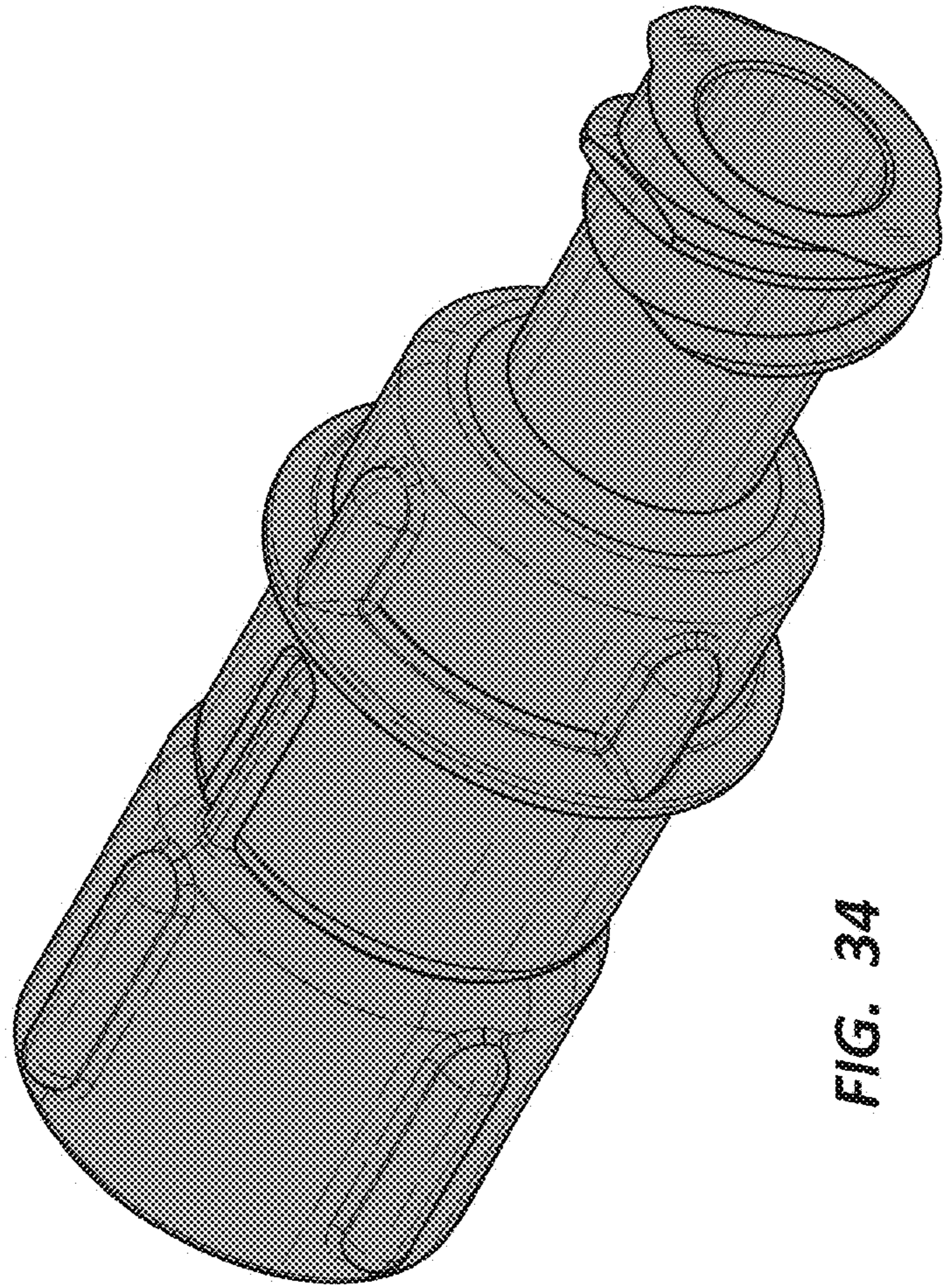


FIG. 34

FIG. 35

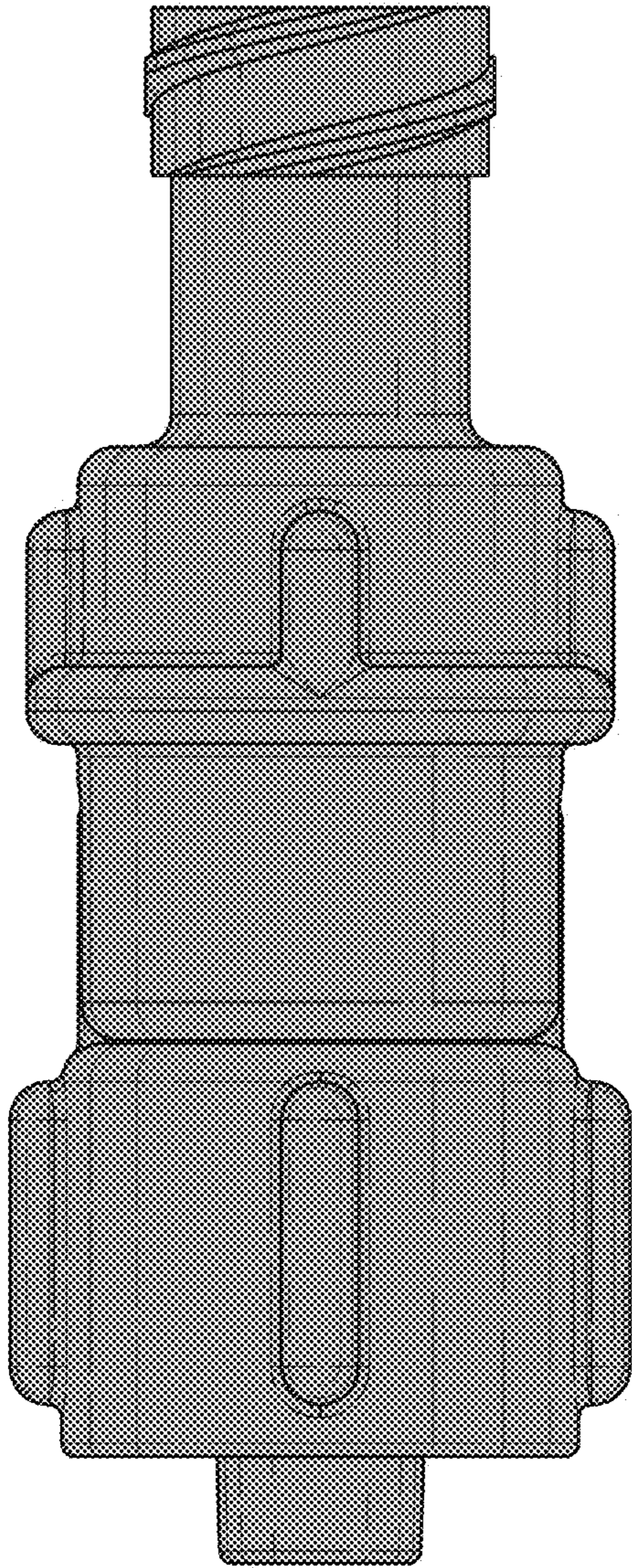
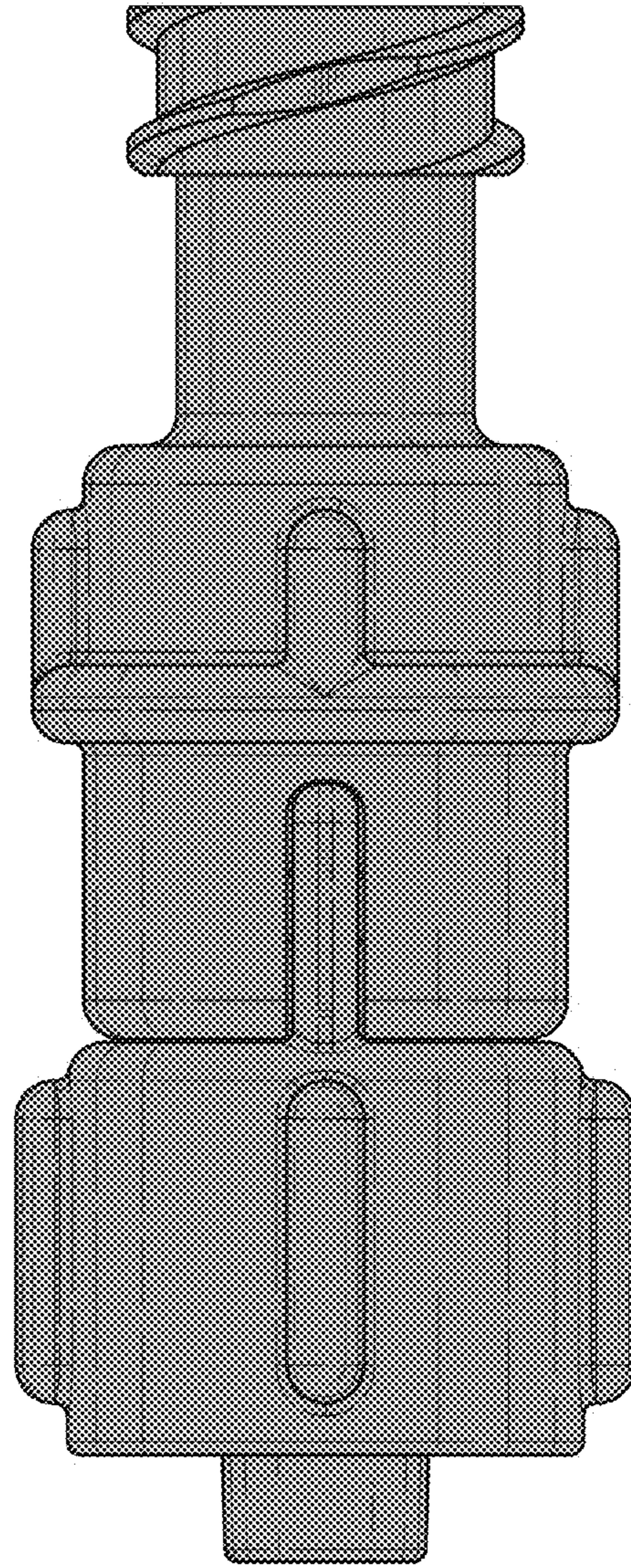


FIG. 36



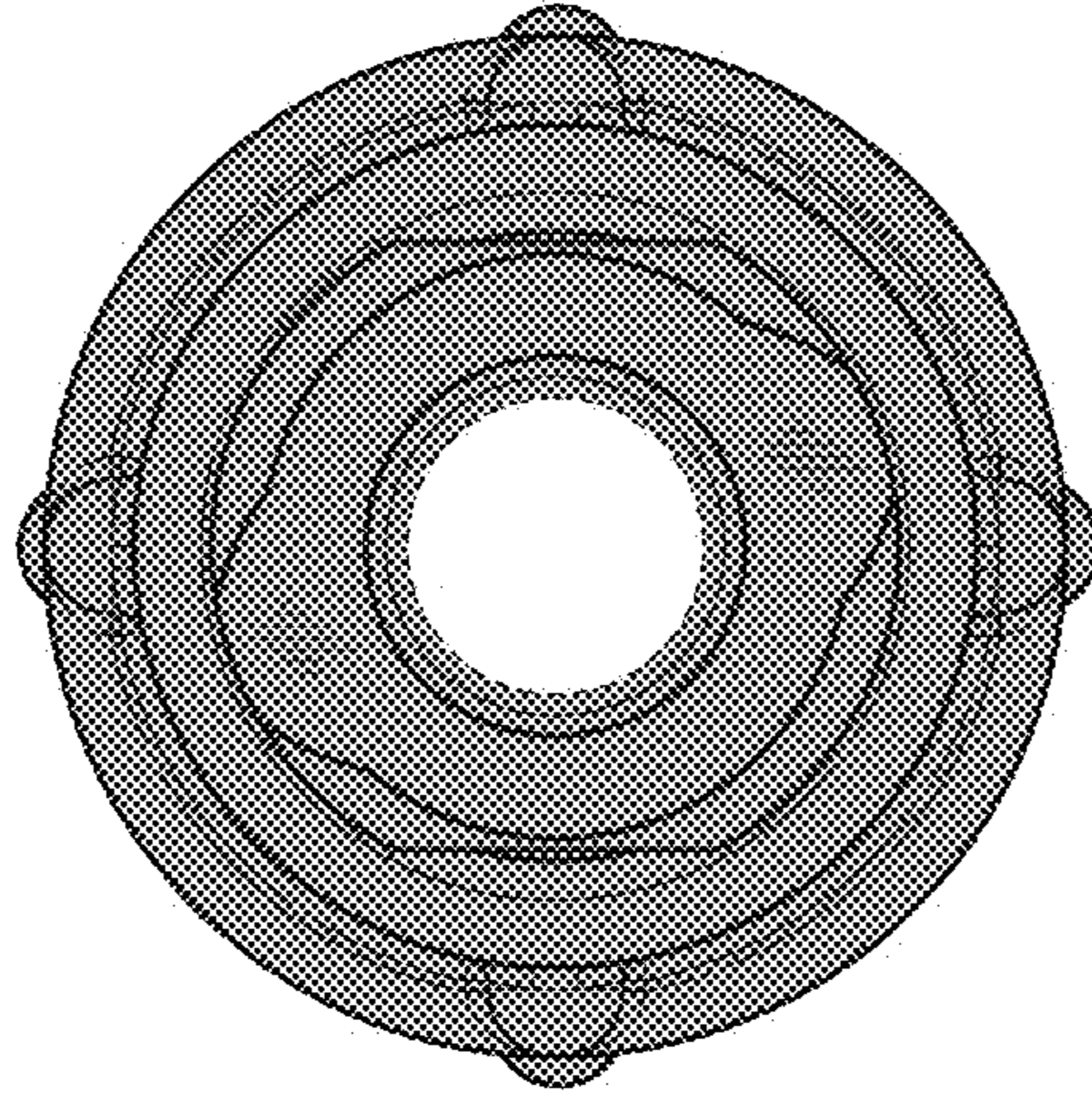


FIG. 38

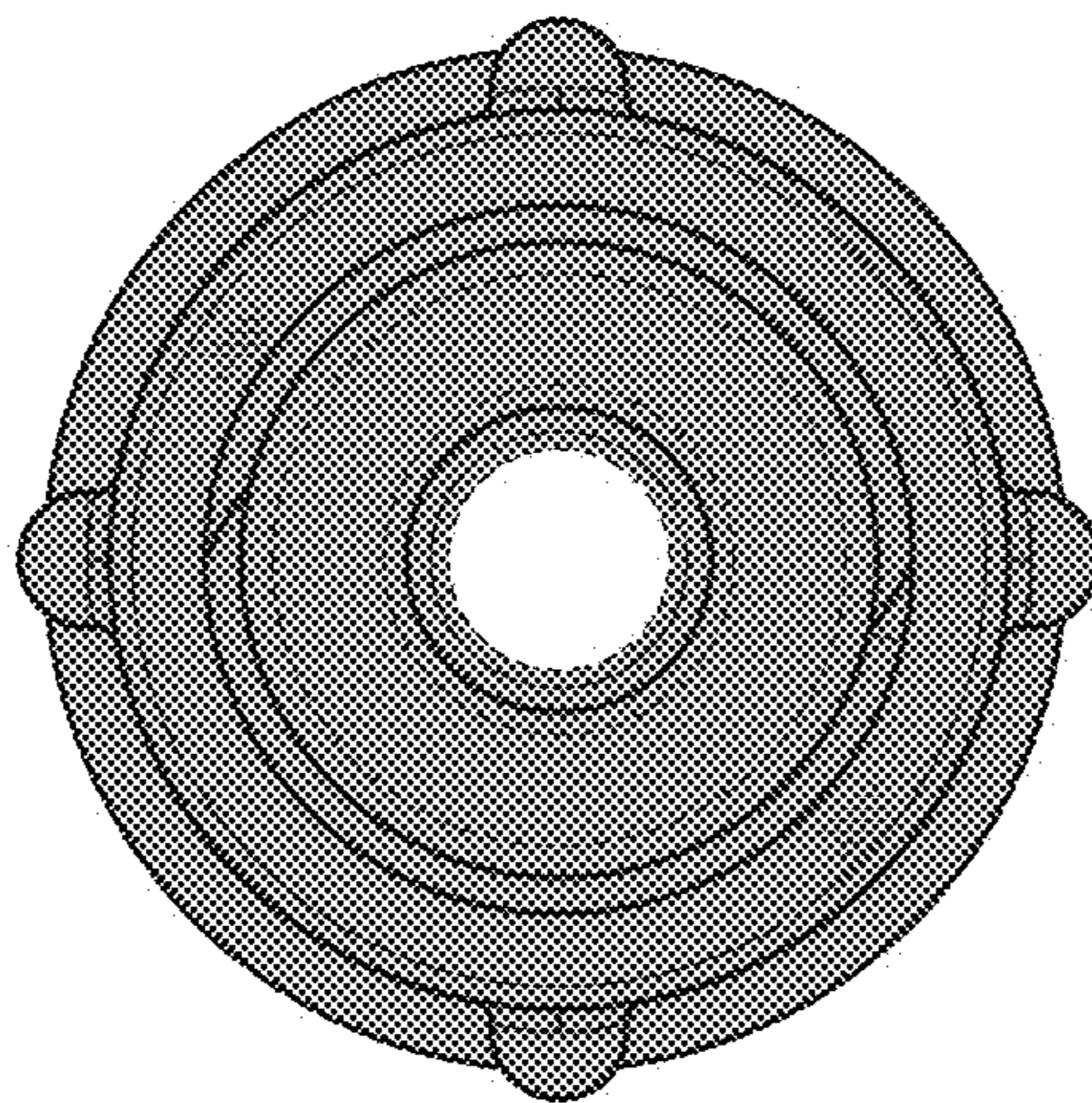


FIG. 37