



US00D905234S

(12) **United States Design Patent** (10) **Patent No.:** **US D905,234 S**
Nock et al. (45) **Date of Patent:** **** Dec. 15, 2020**

(54) **STERILE COVER**

(71) Applicant: **Devicor Medical Products, Inc.,**
Cincinnati, OH (US)

(72) Inventors: **Andrew P. Nock**, Dayton, OH (US);
Andrew Robinson, Cincinnati, OH
(US); **Mark A. Graham**, Maineville,
OH (US)

(73) Assignee: **Devicor Medical Products, Inc.,**
Cincinnati, OH (US)

(**) Term: **15 Years**

(21) Appl. No.: **29/670,490**

(22) Filed: **Nov. 16, 2018**

(51) **LOC (12) Cl.** **24-02**

(52) **U.S. Cl.**
USPC **D24/127**

(58) **Field of Classification Search**
USPC D24/127, 112-114, 152, 176, 110, 133,
D24/186, 104, 130, 137; 606/181, 185;
604/232, 187, 158, 164.08, 192, 263, 163,
604/181, 184, 198, 227, 111; D7/691;
D9/442
CPC A61B 8/4422; A61B 8/14; A61B 46/17
See application file for complete search history.

(56) **References Cited**

U.S. PATENT DOCUMENTS

D376,515 S *	12/1996	Powers	D7/691
D438,979 S *	3/2001	Gomes	D24/130
D460,328 S *	7/2002	de Groote	D10/46.2
D496,216 S *	9/2004	Morgan	D7/368
D675,070 S *	1/2013	Rockwell	D7/691
D694,592 S *	12/2013	Hukill	D7/691
D774,193 S *	12/2016	Makmel	D24/152

D787,068 S *	5/2017	Sosa	D24/176
10,028,730 B2	7/2018	Fiebig et al.		
D827,395 S *	9/2018	Shymkus	D7/691
10,064,607 B2	9/2018	Keller et al.		
D839,059 S *	1/2019	Sullivan	D7/691
D869,653 S *	12/2019	Klaassen	D24/135
D873,630 S *	1/2020	Zemel	D7/691
D883,043 S *	5/2020	Sullivan	D7/691
2015/0327842 A1	11/2015	Rhad et al.		
2016/0166331 A1	6/2016	Leimbach et al.		
2017/0311935 A1	11/2017	Choung et al.		
2018/0153524 A1	6/2018	Nock et al.		
2018/0153526 A1	6/2018	Nock et al.		
2018/0153529 A1	6/2018	Nock et al.		
2018/0242959 A1	8/2018	Keller		
2018/0325500 A1	11/2018	Shuart et al.		
2018/0325501 A1	11/2018	Robinson et al.		

* cited by examiner

Primary Examiner — Nathan M Johnston

(74) *Attorney, Agent, or Firm* — Frost Brown Todd LLC

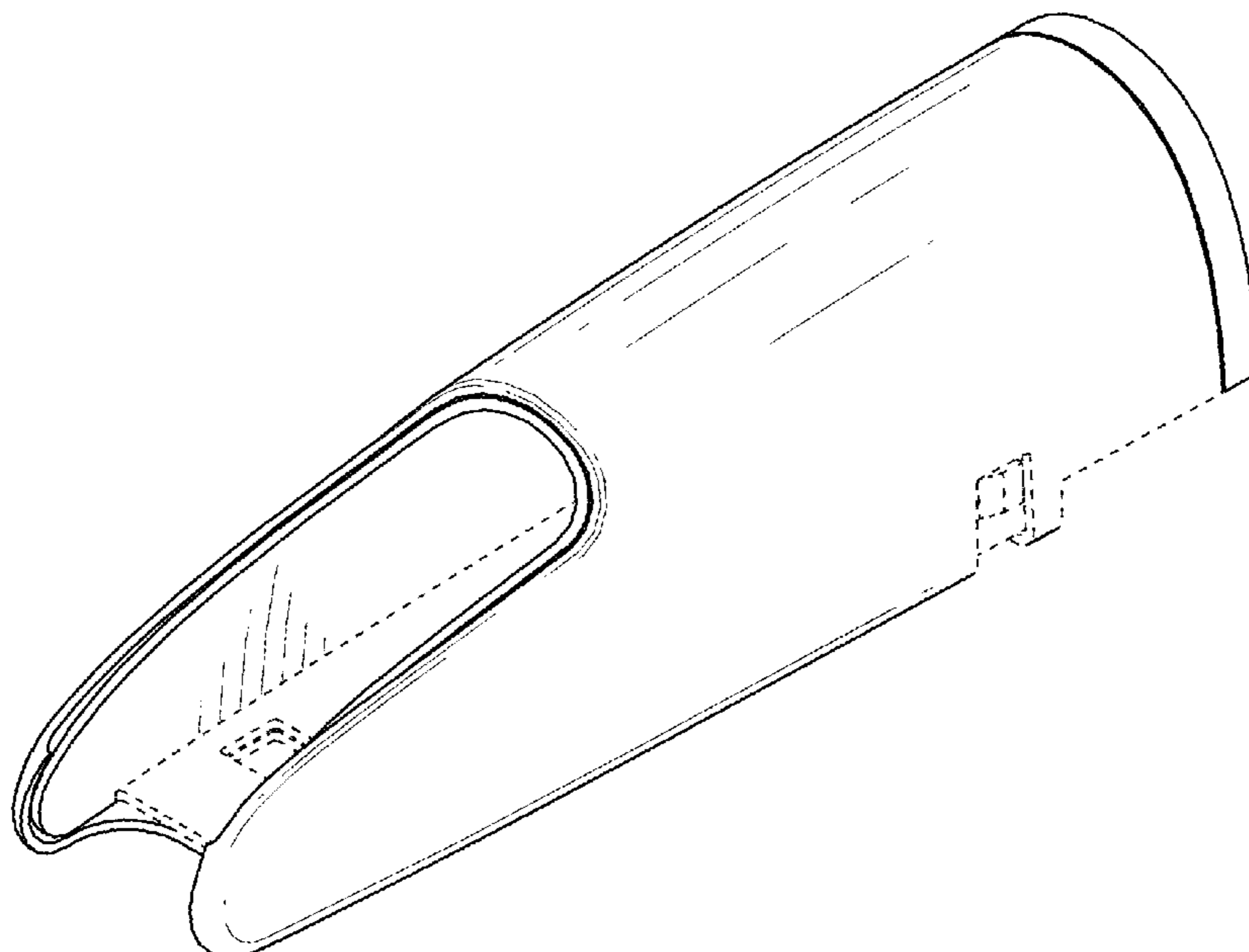
(57) **CLAIM**

The ornamental design for a sterile cover, as shown and described.

DESCRIPTION

FIG. 1 is a top perspective view of a sterile cover, showing my/our new design;
FIG. 2 is a front elevational view thereof;
FIG. 3 is a back elevational view thereof;
FIG. 4 is a left elevational view thereof;
FIG. 5 is a right elevational view thereof; and,
FIG. 6 is a top plan view thereof.
The broken lines show portions of the design that form no part of the claimed design.
Bottom views are omitted from the embodiments shown in FIGS. 1-6 because the bottom is flat and devoid of surface ornamentation.

1 Claim, 4 Drawing Sheets



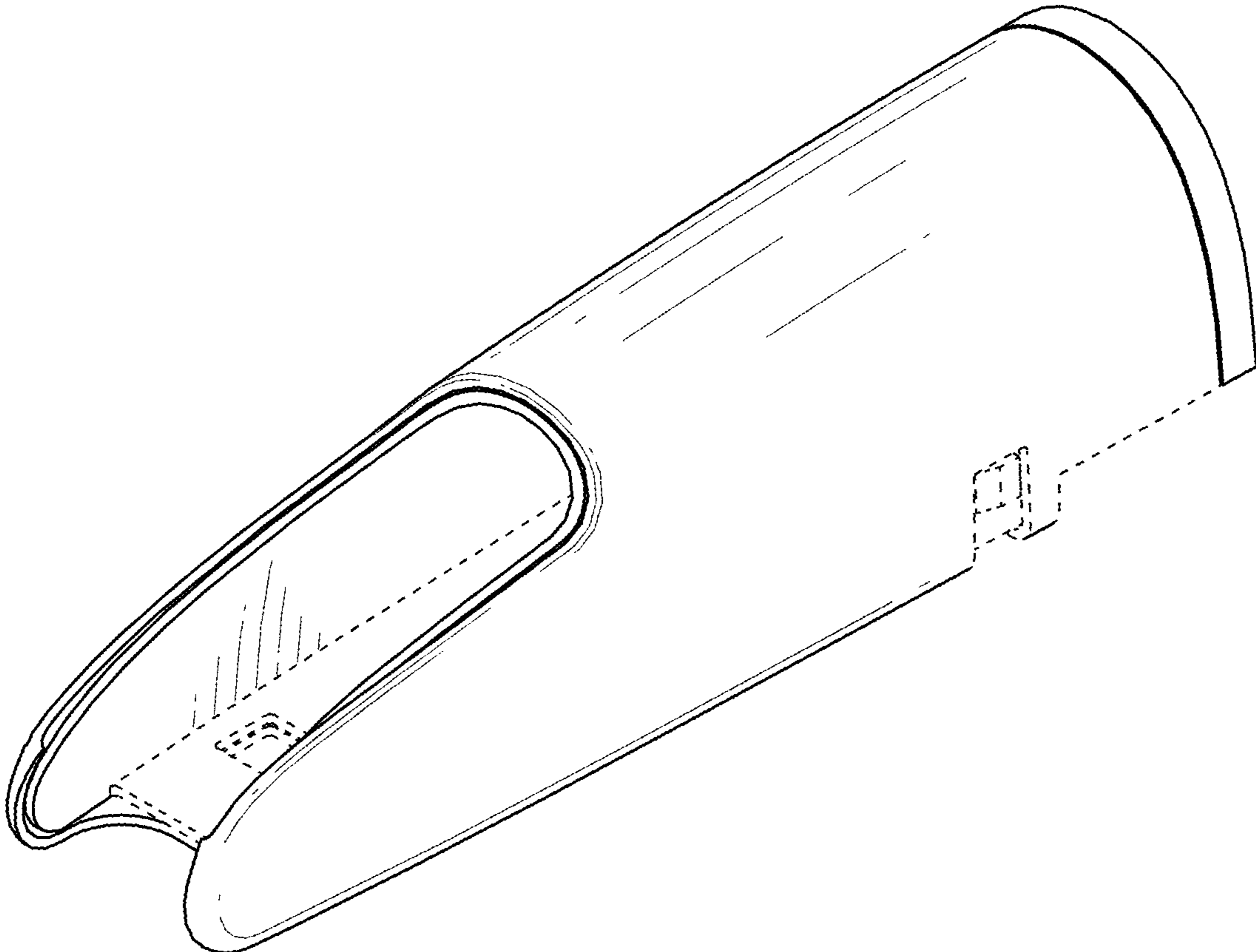


FIG. 1

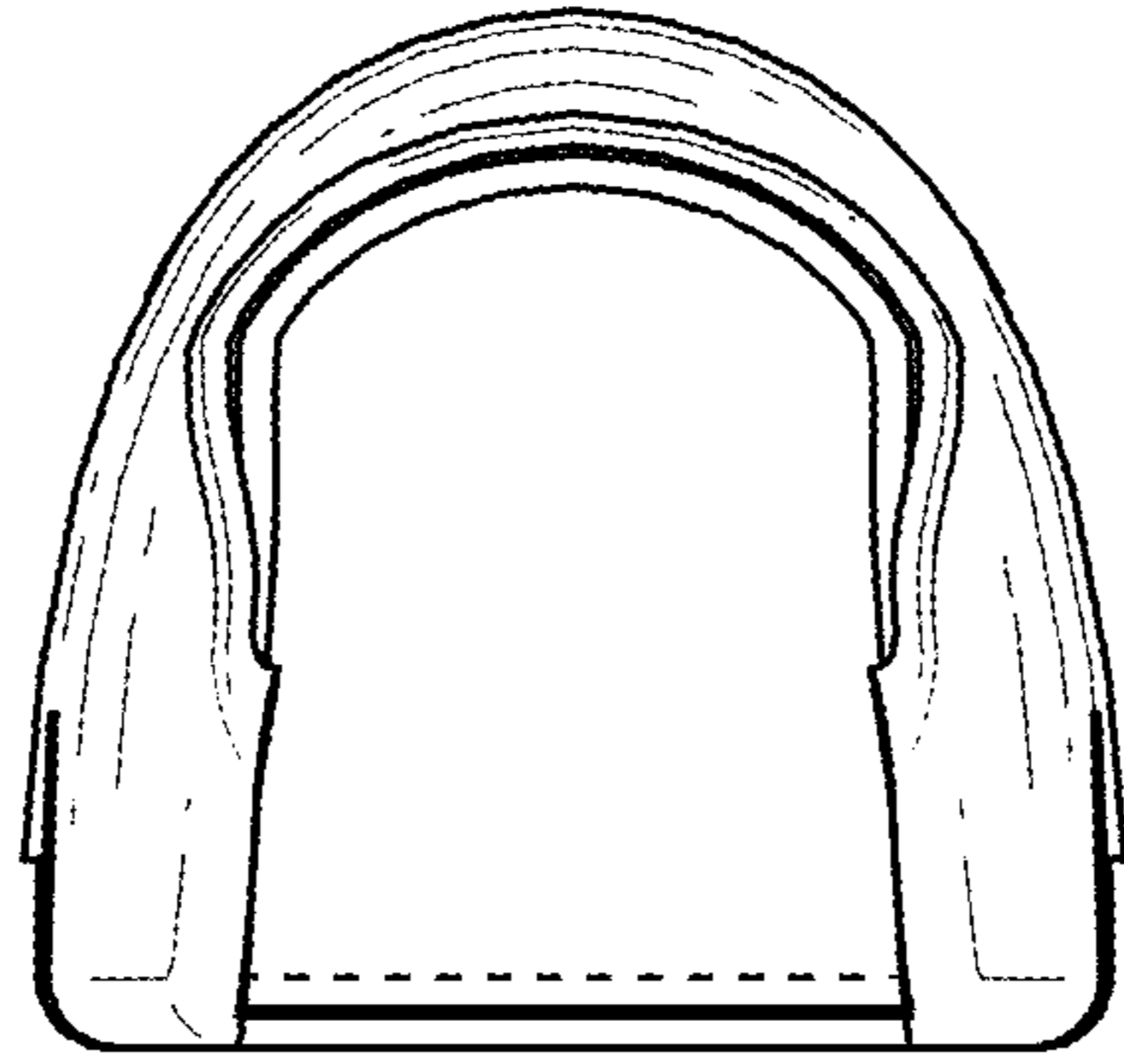


FIG. 2

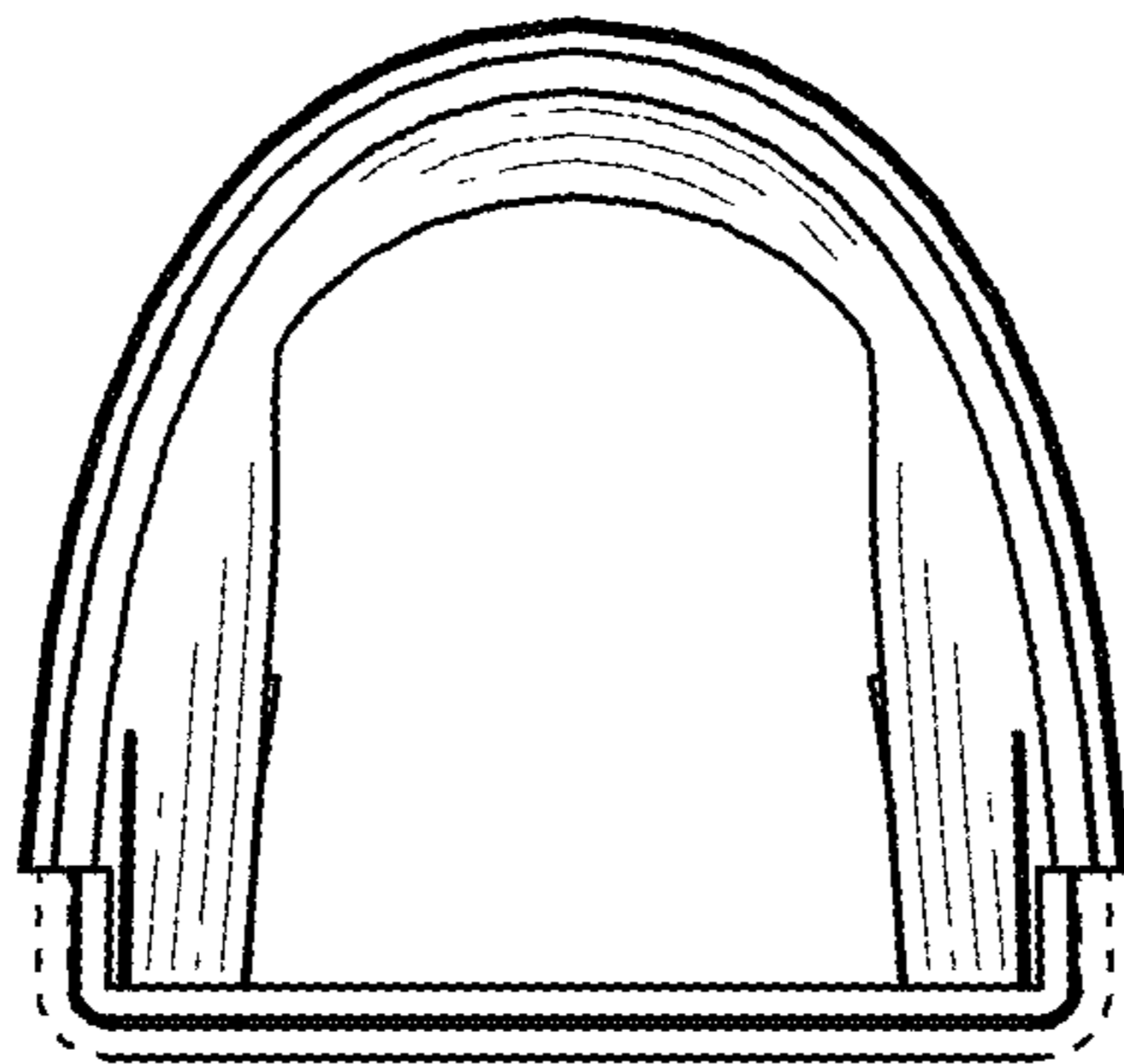


FIG. 3

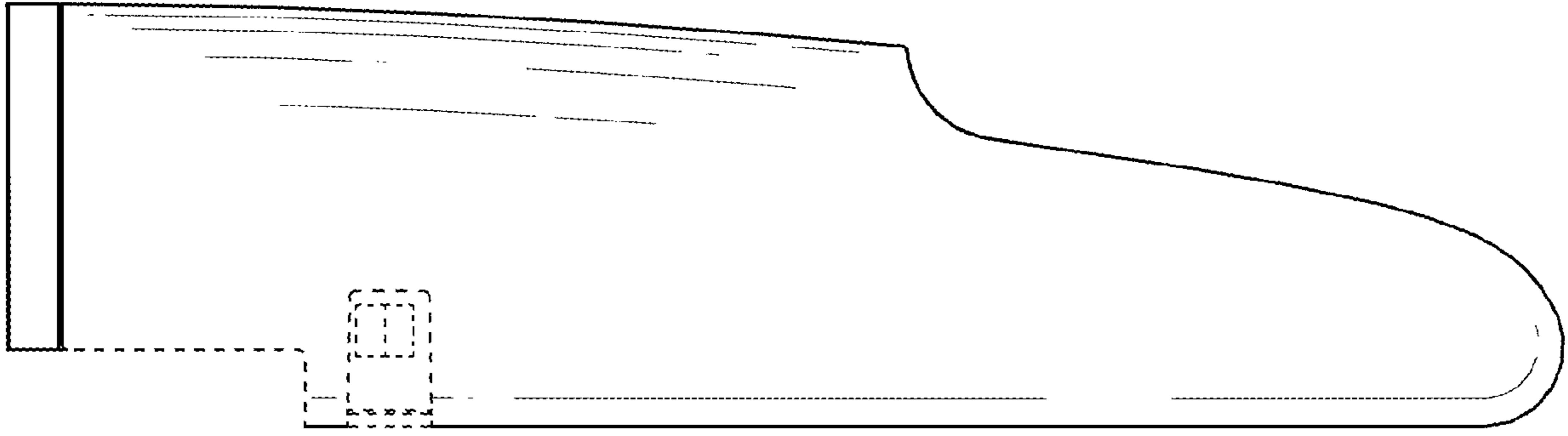


FIG. 4

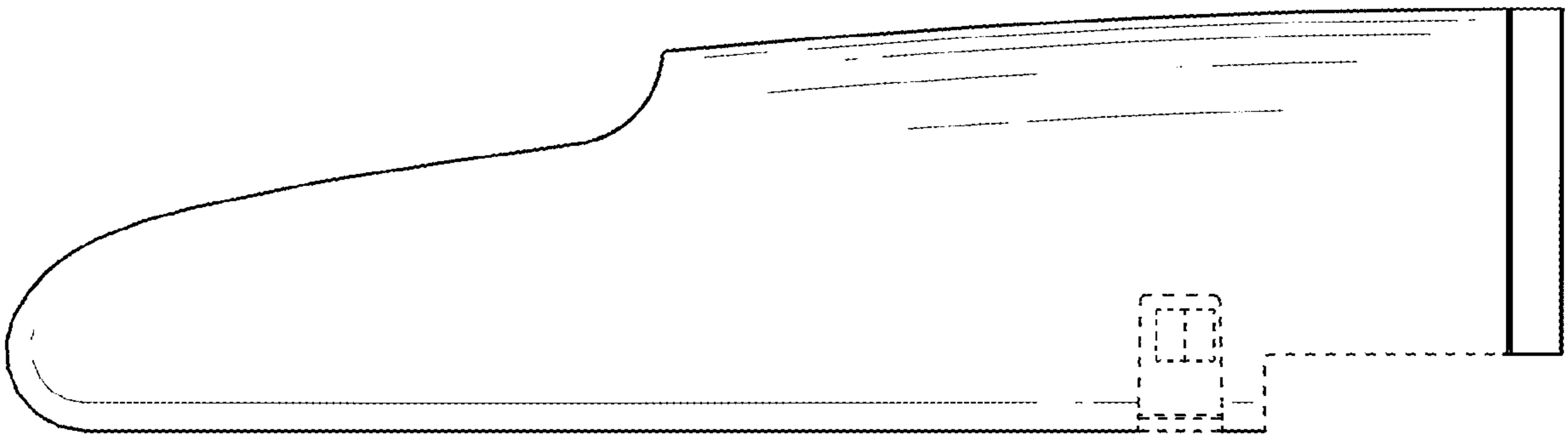


FIG. 5

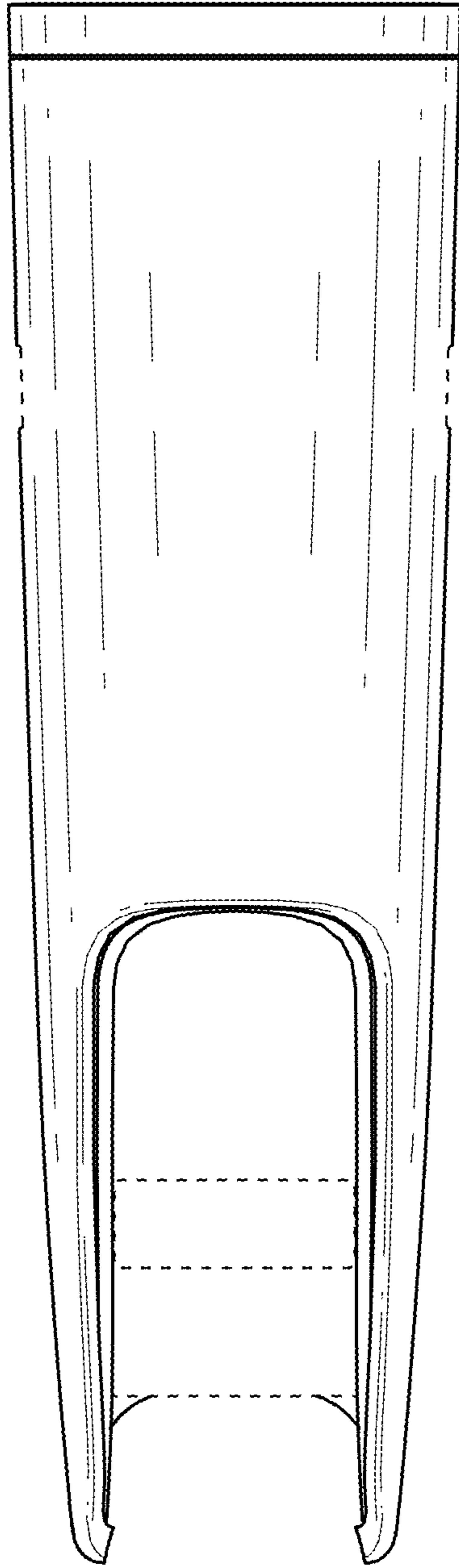


FIG. 6