



US00D905232S

(12) **United States Design Patent** (10) **Patent No.:** **US D905,232 S**  
**Schifano et al.** (45) **Date of Patent:** **\*\* Dec. 15, 2020**

(54) **SURGICAL CANNULA**

- (71) Applicant: **Orthocision Inc.**, Folsom, CA (US)
- (72) Inventors: **Troy Schifano**, Morgantown, WV (US);  
**Steve Anderson**, Folsom, CA (US)
- (\*\*) Term: **15 Years**
- (21) Appl. No.: **29/737,822**
- (22) Filed: **Jun. 11, 2020**

**Related U.S. Application Data**

- (63) Continuation of application No. 29/718,879, filed on Dec. 30, 2019, which is a continuation-in-part of application No. 14/668,976, filed on Mar. 25, 2015.
- (51) **LOC (12) Cl.** ..... **24-02**
- (52) **U.S. Cl.**  
USPC ..... **D24/112**
- (58) **Field of Classification Search**  
USPC ..... D24/112-114, 108, 130, 127, 133, 140;  
604/264, 523-528, 272, 164.01-164.11,  
604/93.01  
CPC ..... A61M 25/00; A61M 25/0043; A61M  
25/0067; A61B 17/7055  
See application file for complete search history.

(56) **References Cited**

**U.S. PATENT DOCUMENTS**

- 4,393,872 A 7/1983 Reznik et al.
- RE31,855 E 3/1985 Osborne
- D353,456 S \* 12/1994 Fayngold ..... D24/128
- D378,699 S 4/1997 Niedospial et al.
- D387,425 S 12/1997 Niedospial et al.
- 5,782,861 A 7/1998 Cragg et al.
- D397,217 S \* 8/1998 Brookfield ..... D24/130

(Continued)

**FOREIGN PATENT DOCUMENTS**

- CA 122280 3/2009
- EP 3326540 3/2019

**OTHER PUBLICATIONS**

- U.S. Appl. No. 62/151,842, filed Apr. 23, 2015, Black et al.
- U.S. Appl. No. 62/095,120, filed Dec. 22, 2014, Lins.

*Primary Examiner* — David G Muller

(74) *Attorney, Agent, or Firm* — William K. Nelson;  
Sierra IP Law, PC

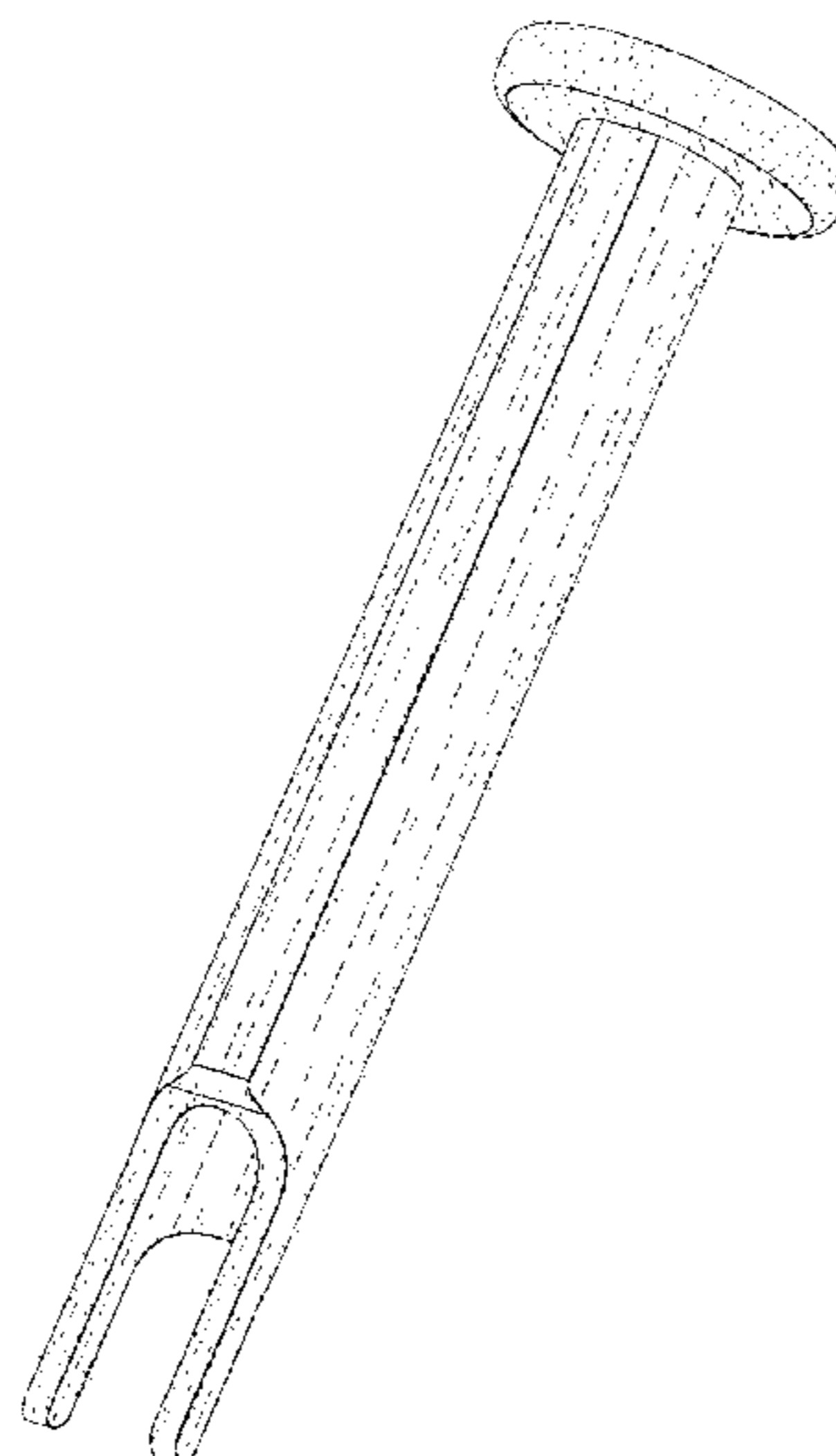
(57) **CLAIM**

We claim the ornamental design for a surgical cannula, as shown and described.

**DESCRIPTION**

FIG. 1 is a perspective view of the surgical cannula with the proximal end of the surgical cannula positioned in an upward position;  
 FIG. 2 is a perspective top view of the surgical cannula of FIG. 1 with the proximal end of the surgical cannula positioned in an upward position;  
 FIG. 3 is a perspective view of the surgical cannula of FIG. 1;  
 FIG. 4 is a side view of a first side of the surgical cannula of FIG. 1;  
 FIG. 5 is a side view of a second side of the surgical cannula of FIG. 1;  
 FIG. 6 is a side view of a third side of the surgical cannula of FIG. 1;  
 FIG. 7 is a side view of a fourth side of the surgical cannula of FIG. 1;  
 FIG. 8 is a view of the proximal end of the surgical cannula of FIG. 1;  
 FIG. 9 is a view of the distal end of the surgical cannula of FIG. 1; and,  
 FIG. 10 is a close-up perspective view of the proximal end of the surgical cannula of FIG. 1.  
 The broken lines in the drawings illustrate portions of the surgical cannula which form no part of the claimed design.

**1 Claim, 10 Drawing Sheets**



(56)

References Cited

U.S. PATENT DOCUMENTS

|           |     |         |                             |              |     |         |                           |
|-----------|-----|---------|-----------------------------|--------------|-----|---------|---------------------------|
| 5,921,993 | A   | 7/1999  | Yoon                        | 8,882,818    | B1  | 11/2014 | Vestgaarden               |
| 6,004,302 | A   | 12/1999 | Brierley                    | 9,186,155    | B2  | 11/2015 | Katzman et al.            |
| 6,135,984 | A   | 10/2000 | Dishier                     | D760,381     | S   | 6/2016  | Fox                       |
| 6,702,790 | B1  | 3/2004  | Ross                        | 9,375,243    | B1  | 6/2016  | Vestgaarden               |
| 6,758,824 | B1  | 7/2004  | Miller et al.               | D773,651     | S   | 12/2016 | Chen et al.               |
| 6,945,964 | B2  | 9/2005  | Ross                        | 9,895,176    | B2  | 2/2018  | Vestgaarden               |
| D533,270  | S   | 12/2006 | Kierce et al.               | 10,022,110   | B2  | 7/2018  | Stand et al.              |
| 7,527,624 | B2  | 5/2009  | Dubnack                     | D827,133     | S * | 8/2018  | Gro er ..... D24/130      |
| D603,043  | S   | 10/2009 | Kreidler                    | 10,045,842   | B2  | 8/2018  | Alexander et al.          |
| D625,805  | S * | 10/2010 | Hereford ..... D24/140      | D828,551     | S * | 9/2018  | Zou ..... D24/130         |
| D642,261  | S * | 7/2011  | York ..... D24/130          | D832,423     | S * | 10/2018 | Ishida ..... A61M 25/0097 |
| D651,309  | S * | 12/2011 | Rowe ..... D24/130          |              |     |         |                           |
| D673,670  | S * | 1/2013  | Linnenschmidt ..... D24/112 | D840,030     | S * | 2/2019  | Smith ..... D24/140       |
| D674,084  | S   | 1/2013  | Linnenschmidt               | 10,219,841   | B1  | 3/2019  | Compton et al.            |
| 8,403,866 | B2  | 3/2013  | Seifert et al.              | D870,263     | S * | 12/2019 | Adams ..... D24/108       |
| D685,087  | S * | 6/2013  | Voic ..... D24/133          | D894,381     | S * | 8/2020  | Shaw ..... D24/130        |
| 8,591,480 | B2  | 11/2013 | Marler                      | 2006/0287584 | A1  | 12/2006 | Garcia-Bengochia          |
| D695,390  | S   | 12/2013 | Bruggeman                   | 2010/0268228 | A1  | 10/2010 | Petersen                  |
| 8,668,705 | B2  | 3/2014  | Johnston et al.             | 2012/0095560 | A1  | 4/2012  | Donner                    |
| D704,334  | S   | 5/2014  | Walthall                    | 2012/0271351 | A1  | 10/2012 | Vestgaarden               |
| 8,771,236 | B2  | 7/2014  | Nagase et al.               | 2013/0172736 | A1  | 7/2013  | Abdou                     |
| 8,821,527 | B2  | 9/2014  | Farnan et al.               | 2014/0257408 | A1  | 9/2014  | Trieu et al.              |
|           |     |         |                             | 2014/0277165 | A1  | 9/2014  | Katzman et al.            |
|           |     |         |                             | 2016/0175113 | A1  | 6/2016  | Lins                      |
|           |     |         |                             | 2016/0310197 | A1  | 10/2016 | Black et al.              |

\* cited by examiner

FIG. 1

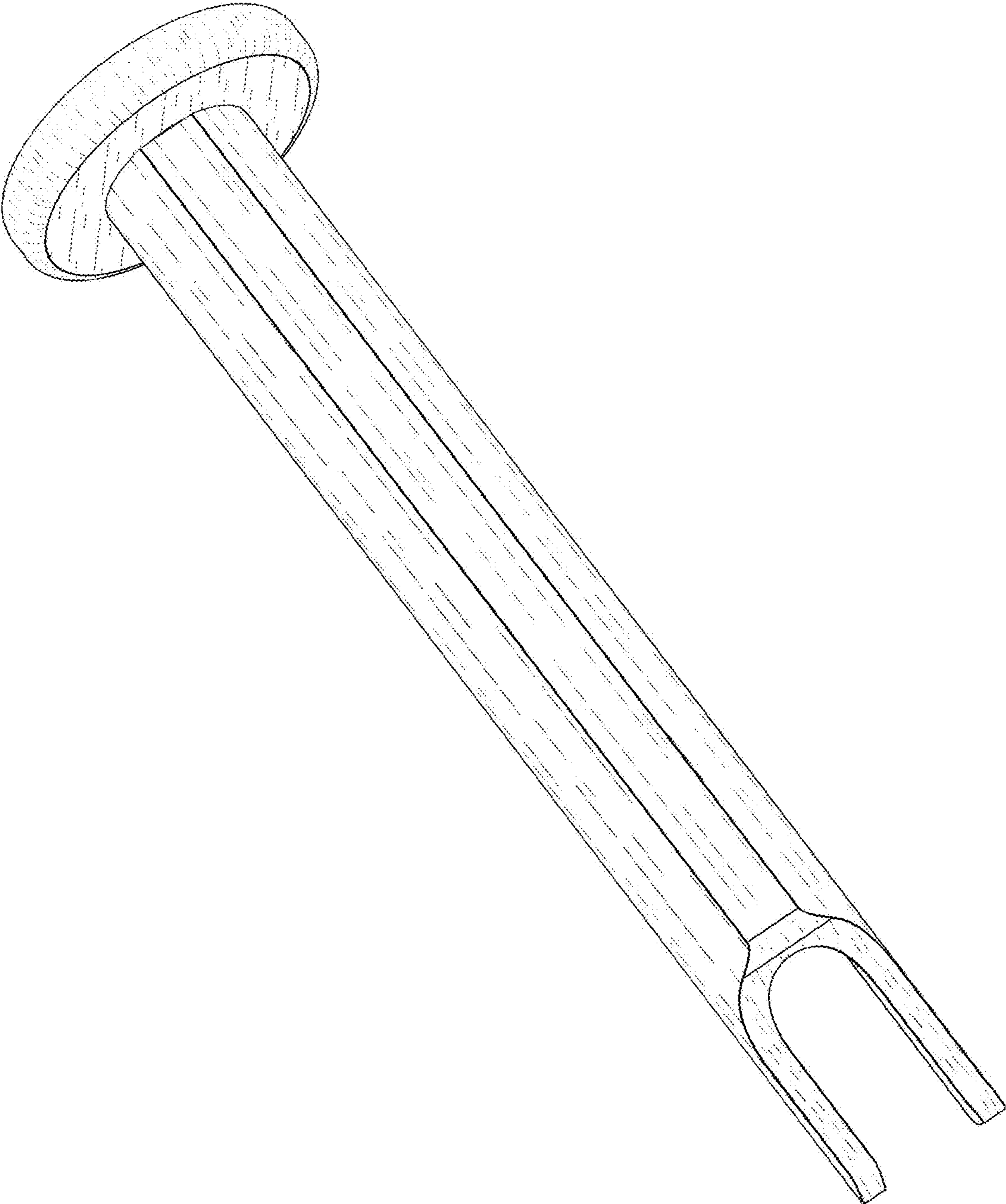


FIG. 2

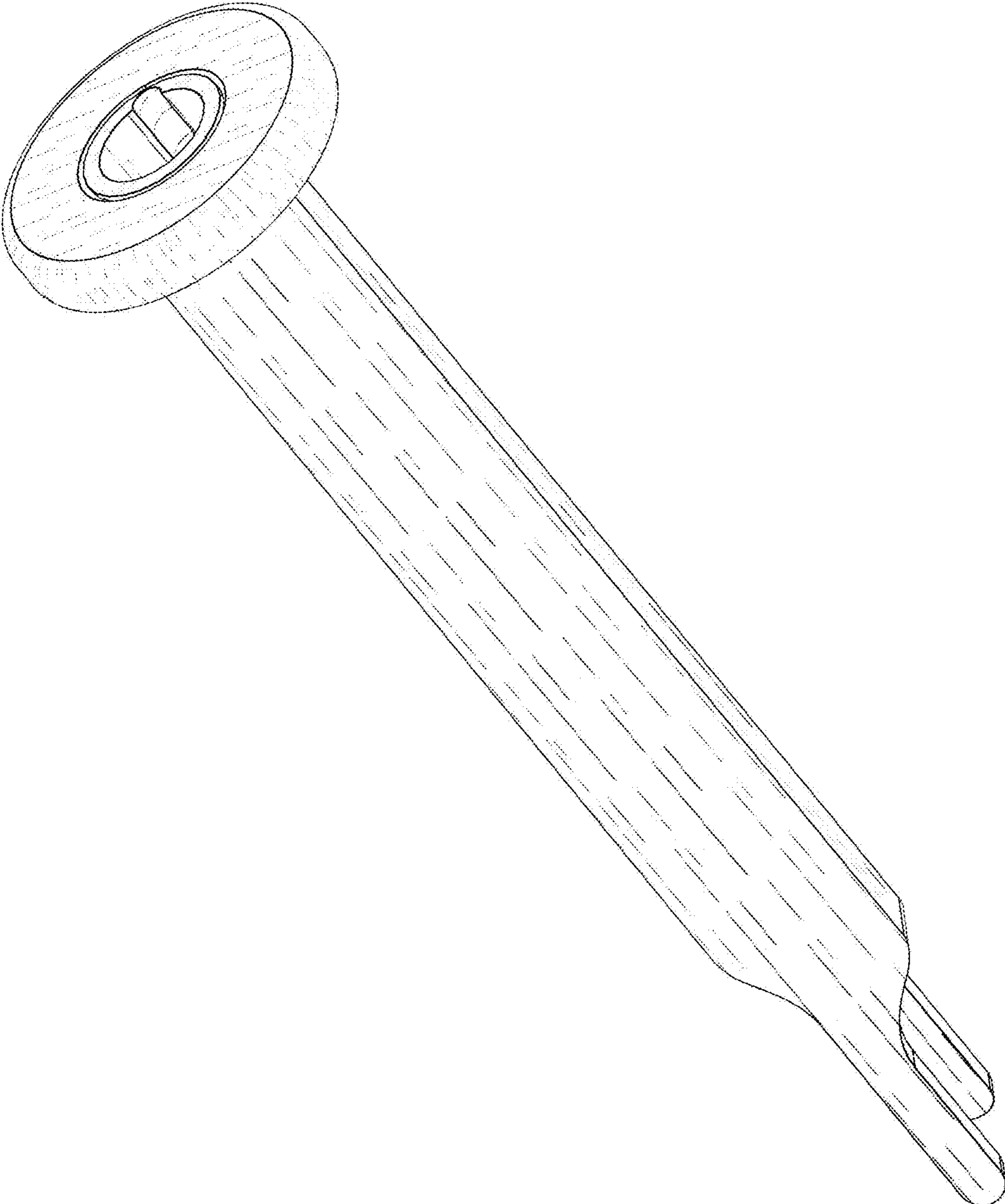


FIG. 3

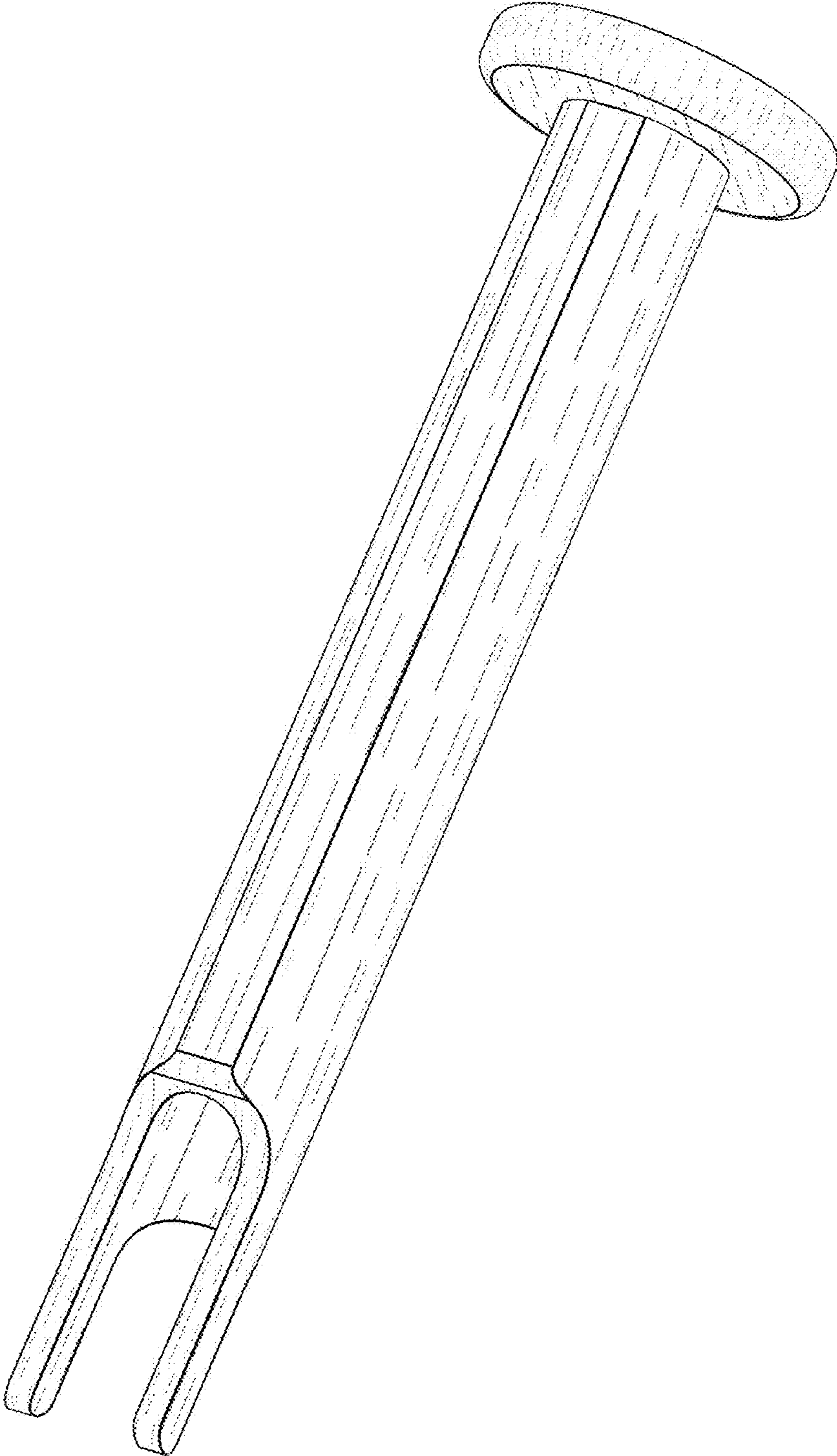


FIG. 4

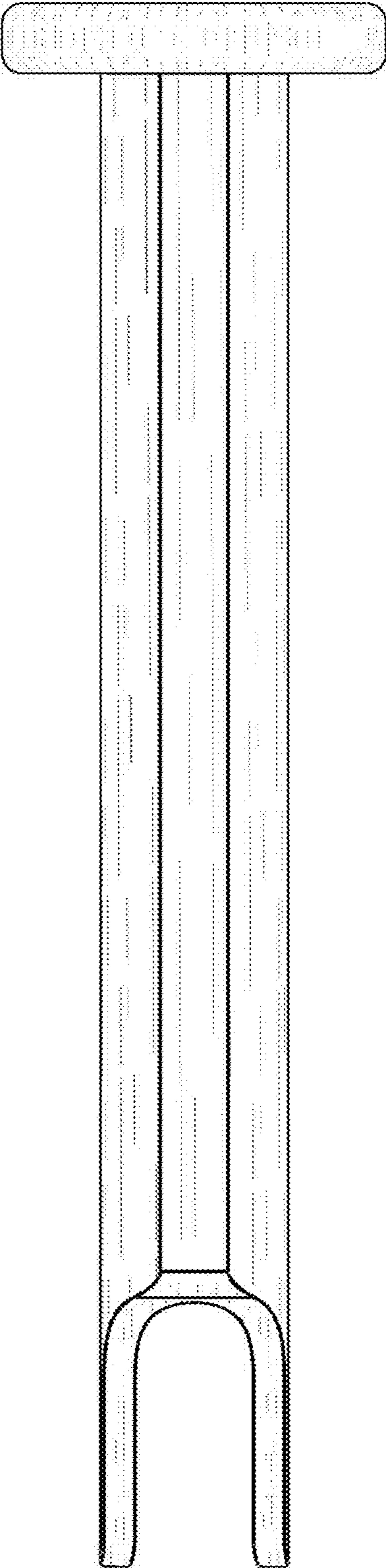


FIG. 5

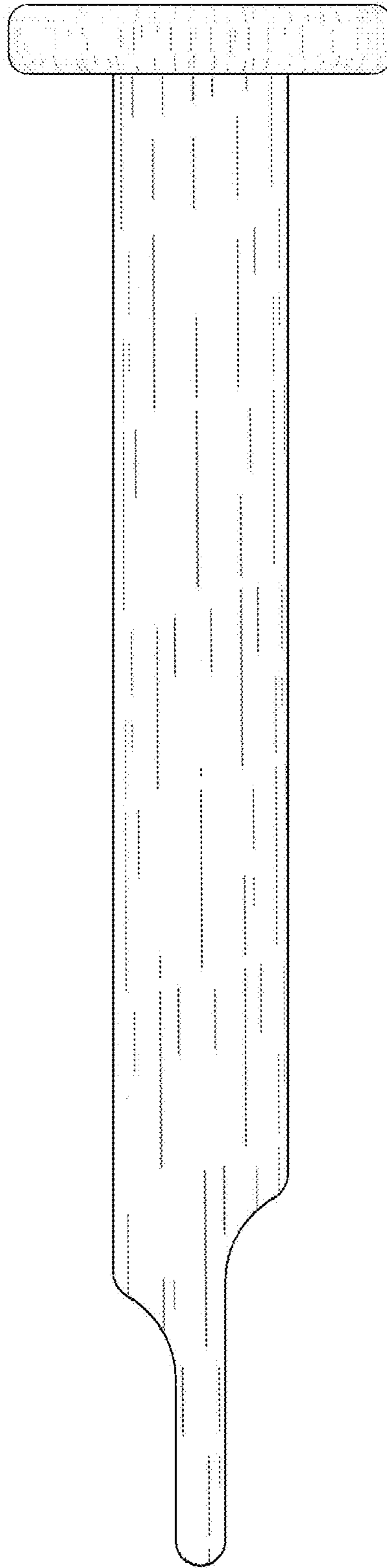


FIG. 6

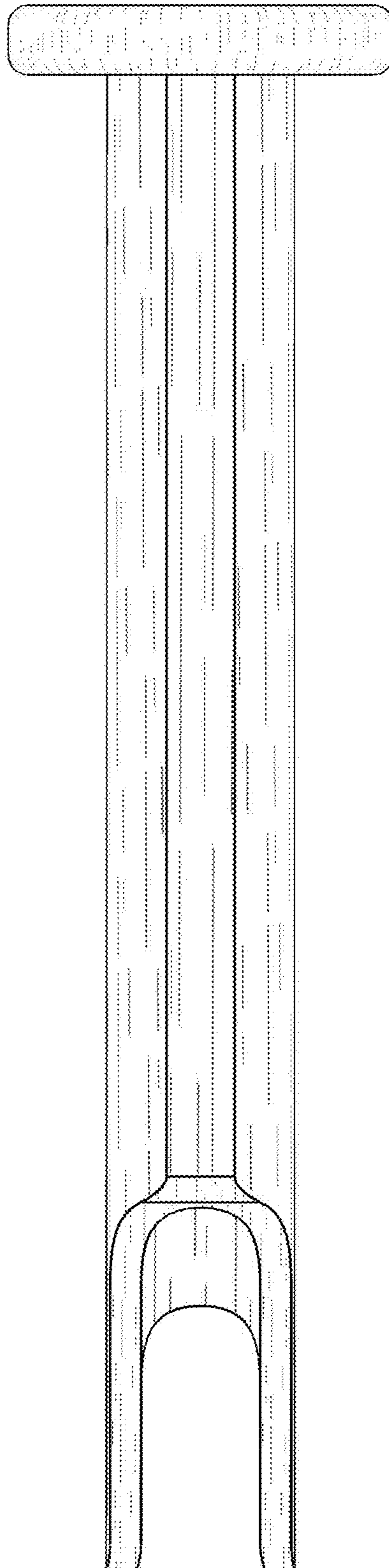




FIG. 7

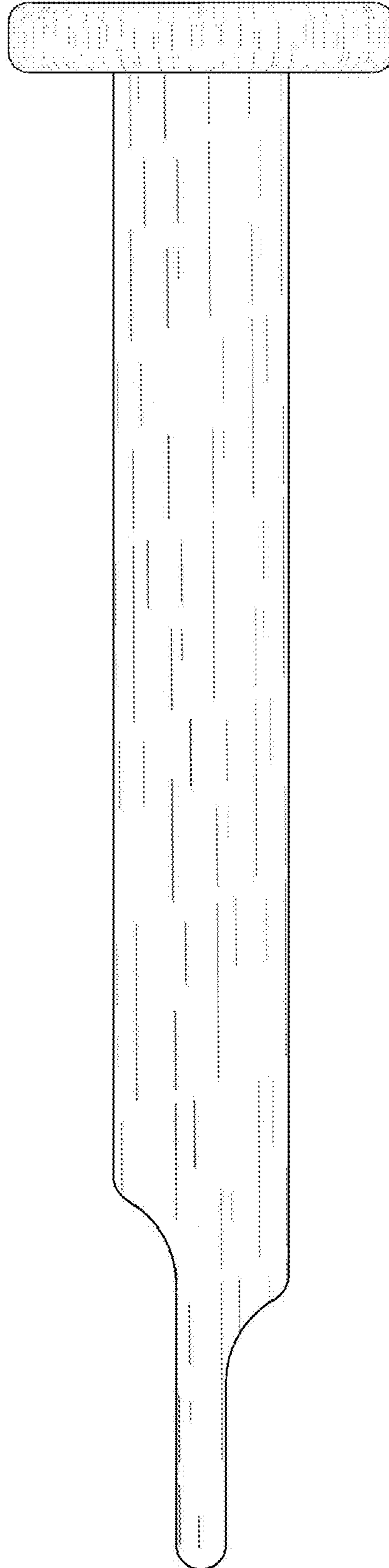


FIG. 8

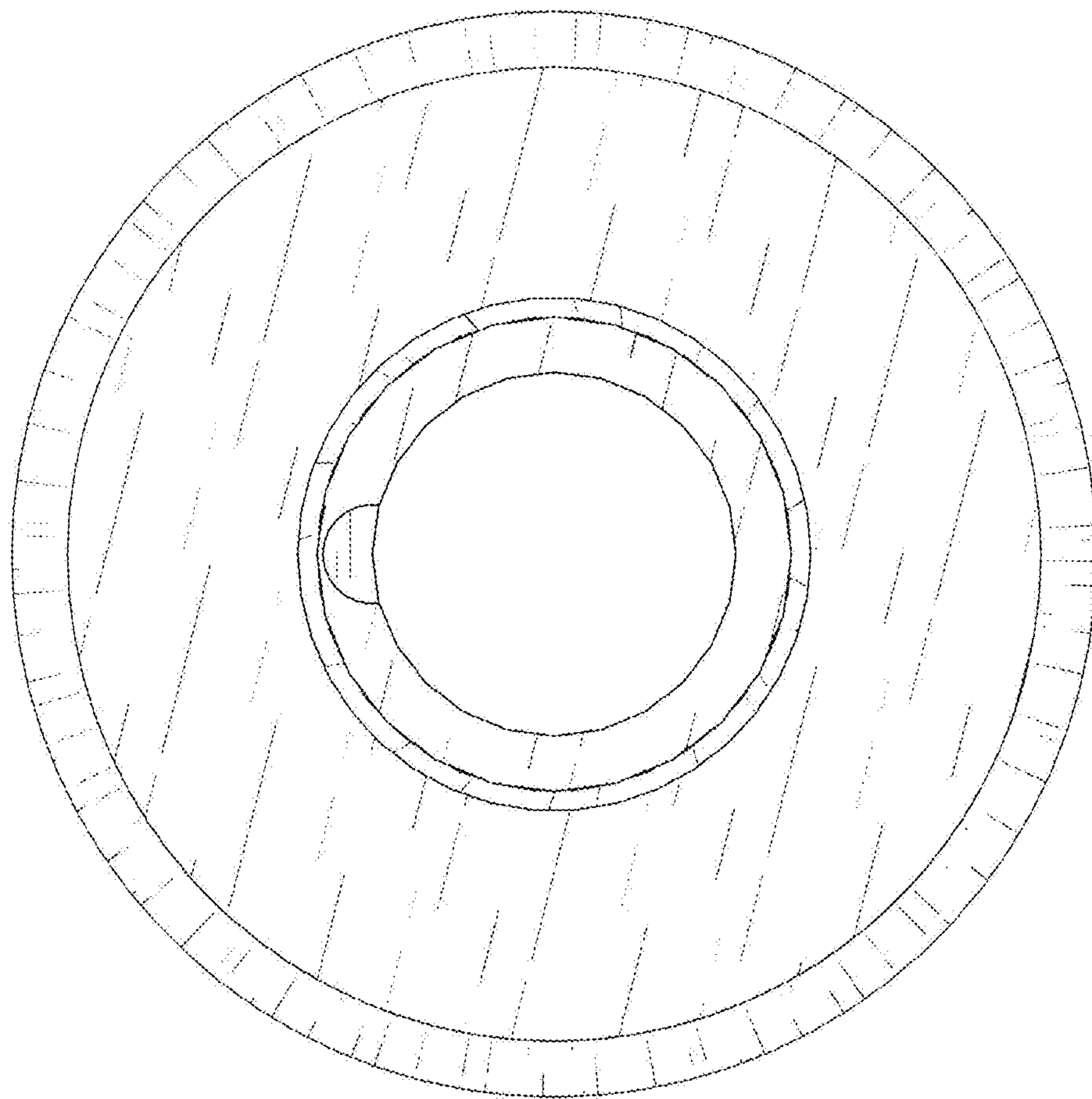


FIG. 9

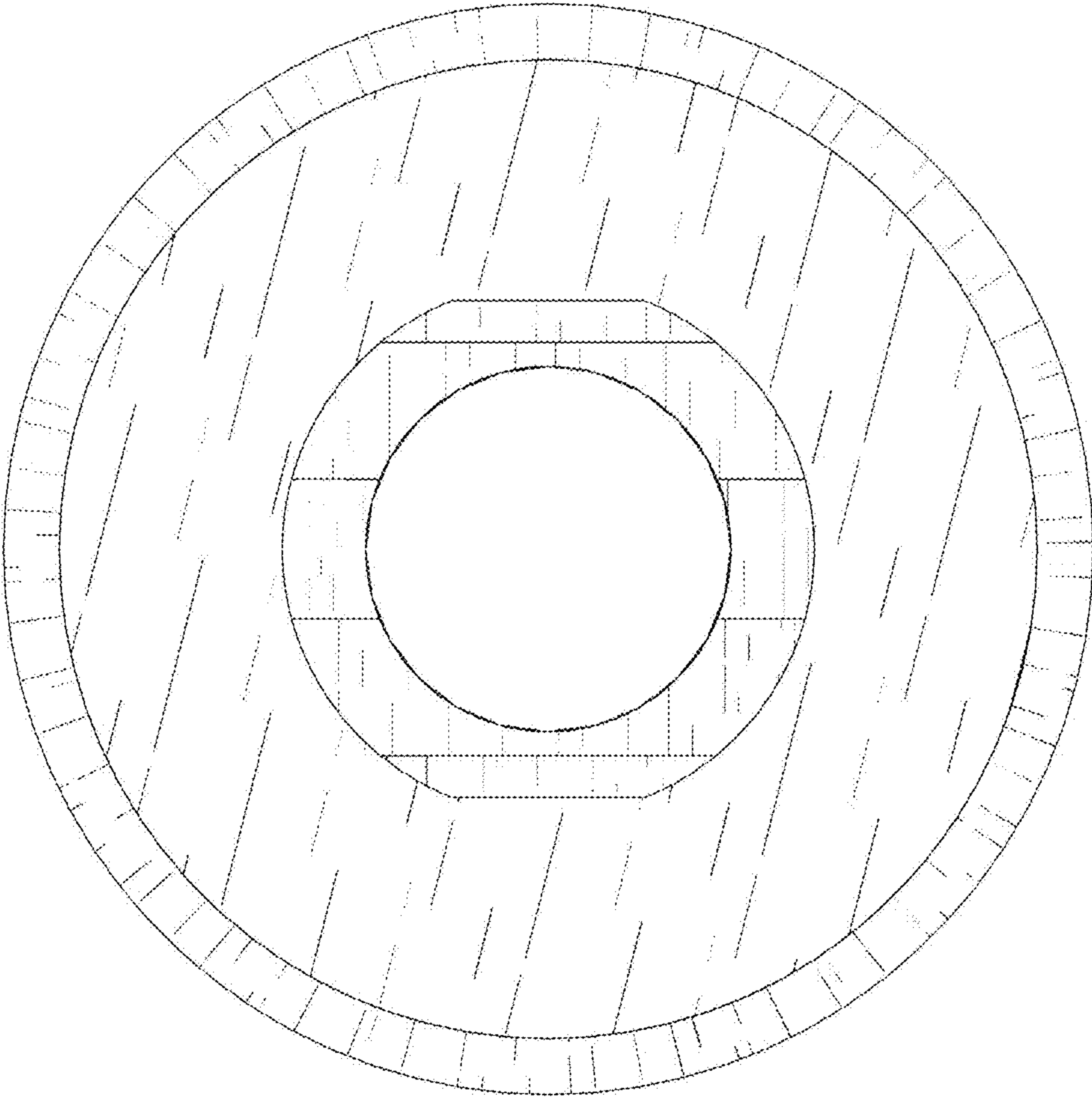
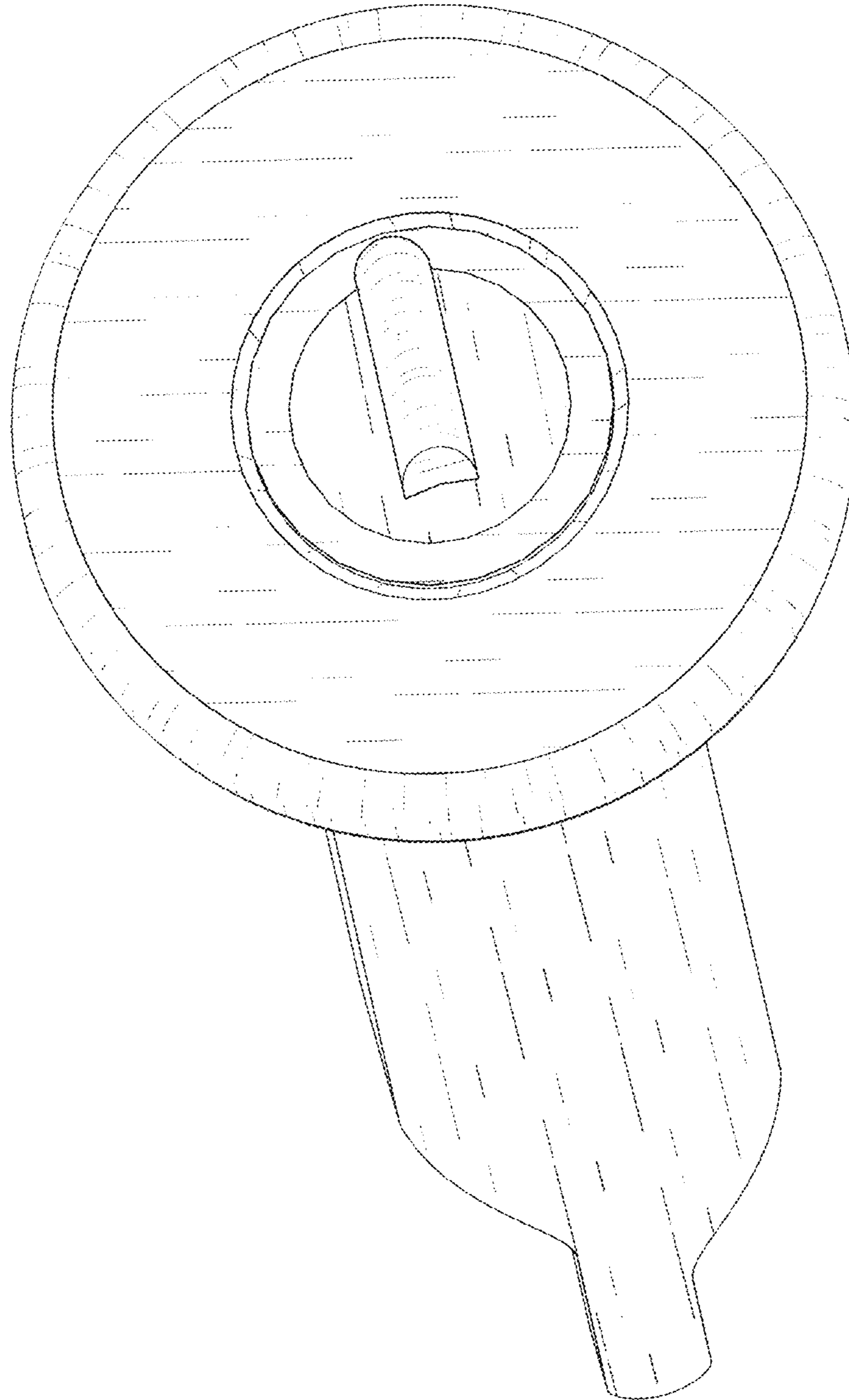


FIG. 10





US00D905232C1

(12) **EX PARTE REEXAMINATION CERTIFICATE** (12733rd)  
**United States Patent**  
**Schifano et al.**

(10) **Number:** **US D905,232 C1**  
(45) **Certificate Issued:** **Oct. 15, 2024**

- (54) **SURGICAL CANNULA**
- (71) Applicant: **Orthocision Inc.**, Folsom, CA (US)
- (72) Inventors: **Troy Schifano**, Morgantown, WV (US);  
**Steve Anderson**, Folsom, CA (US)
- (73) Assignee: **ORTHOCISION, INC.**, Folsom, CA (US)

application No. 14/668,976, filed on Mar. 25, 2015, now Pat. No. 10,993,757.

- (51) **LOC (14) Cl.** ..... **24-02**
- (52) **U.S. Cl.**  
USPC ..... **D24/112**
- (58) **Field of Classification Search**  
USPC ..... D24/108, 112, 113, 114, 127, 130  
CPC ..... A61M 25/0612; A61M 25/0105; A61M 25/0606

See application file for complete search history.

**Reexamination Request:**  
No. 90/019,473, Apr. 8, 2024

**Reexamination Certificate for:**  
Patent No.: **Des. 905,232**  
Issued: **Dec. 15, 2020**  
Appl. No.: **29/737,822**  
Filed: **Jun. 11, 2020**

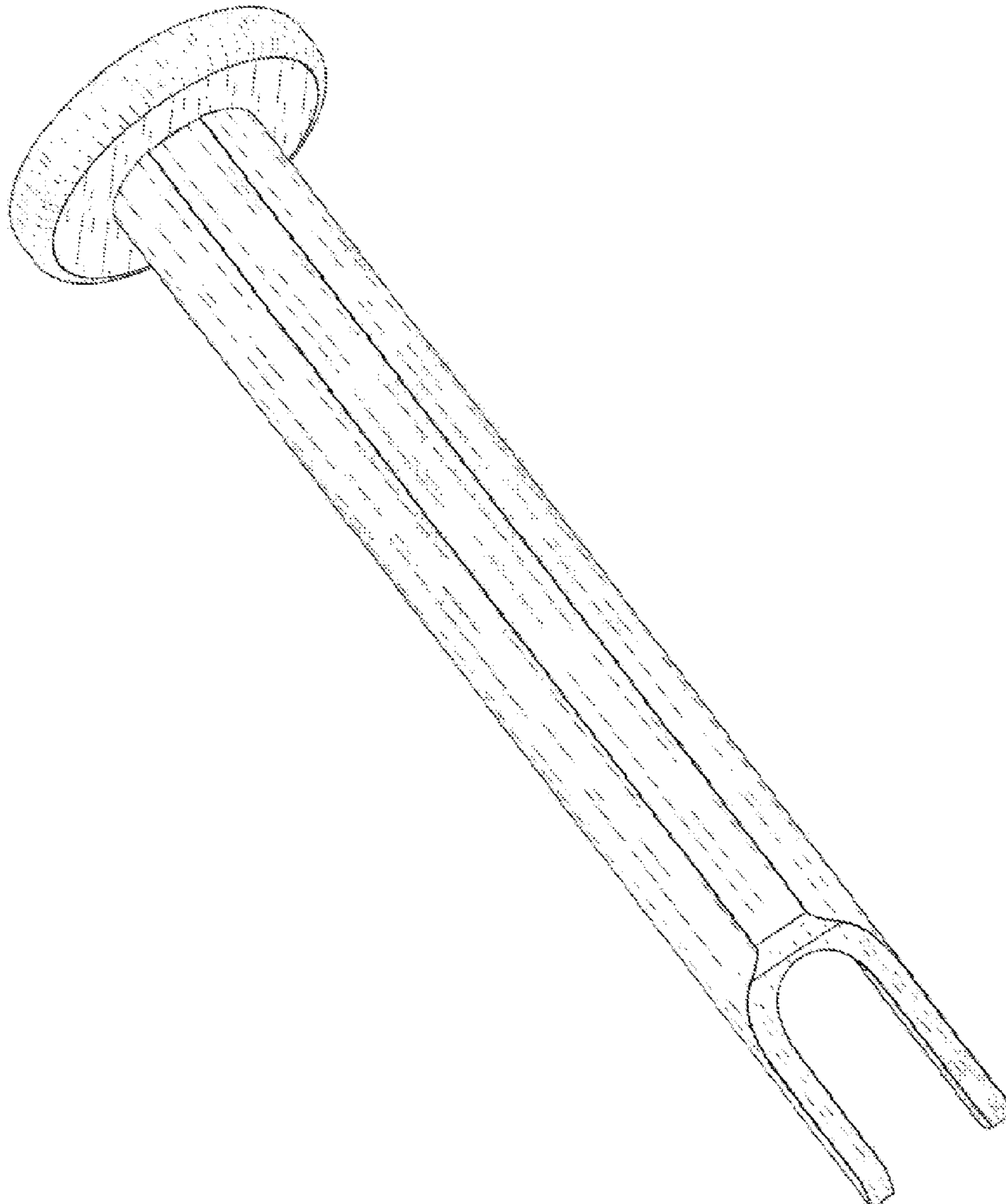
(56) **References Cited**

To view the complete listing of prior art documents cited during the proceeding for Reexamination Control Number 90/019,473, please refer to the USPTO's Patent Electronic System.

**Related U.S. Application Data**

- (63) Continuation of application No. 29/718,879, filed on Dec. 30, 2019, which is a continuation-in-part of

*Primary Examiner* — Darlington Ly



**EX PARTE  
REEXAMINATION CERTIFICATE**

NO AMENDMENTS HAVE BEEN MADE TO  
THE PATENT

5

AS A RESULT OF REEXAMINATION, IT HAS BEEN  
DETERMINED THAT:

The patentability of the claim is confirmed.

10

\* \* \* \* \*