



US00D905231S

(12) **United States Design Patent**
Zheng

(10) **Patent No.:** **US D905,231 S**

(45) **Date of Patent:** **** Dec. 15, 2020**

(54) **SNORKEL**
(71) Applicant: **SHENZHEN TUO SPORTS GOODS CO., LTD**, Shenzhen (CN)
(72) Inventor: **Zhiming Zheng**, Shenzhen (CN)
(73) Assignee: **SHENZHEN TUO SPORTS GOODS CO., LTD**, Shenzhen (CN)

(**) Term: **15 Years**
(21) Appl. No.: **29/700,279**

(22) Filed: **Aug. 1, 2019**

(30) **Foreign Application Priority Data**

Apr. 26, 2019 (CN) 2019 3 0199026

(51) **LOC (12) Cl.** **29-02**

(52) **U.S. Cl.**
USPC **D24/110.5**

(58) **Field of Classification Search**
USPC D24/110-110.2, 110.4-110.5; D29/110
CPC B63C 11/205; B63C 11/16; B63C 11/186;
B63C 11/12
See application file for complete search history.

(56) **References Cited**

U.S. PATENT DOCUMENTS

4,071,024 A * 1/1978 Blanc B63C 11/205
128/201.11
4,278,080 A * 7/1981 Schuch B63C 11/205
128/201.11
5,117,817 A * 6/1992 Lin B63C 11/205
128/201.11
5,143,059 A * 9/1992 Delphia B63C 11/205
128/201.11
5,239,990 A * 8/1993 Delphia B63C 11/205
128/201.11

D350,585 S * 9/1994 Rasocha D24/110.5
D355,691 S * 2/1995 Rasocha D24/110.5
5,529,057 A * 6/1996 Ferrero B63C 11/205
128/200.24
5,865,169 A * 2/1999 Lan B63C 11/205
128/201.11
6,302,102 B1 * 10/2001 Giroux B63C 11/205
128/201.11
6,736,136 B2 * 5/2004 Chen-Lieh B63C 11/12
128/201.11
7,163,012 B2 * 1/2007 Delphia B63C 11/205
128/200.29
D559,977 S * 1/2008 Ball D24/110.4
D588,261 S * 3/2009 Shiue D24/110.5
7,785,514 B2 * 8/2010 McCarthy B63C 11/18
264/245

(Continued)

Primary Examiner — Lilyana Bekic

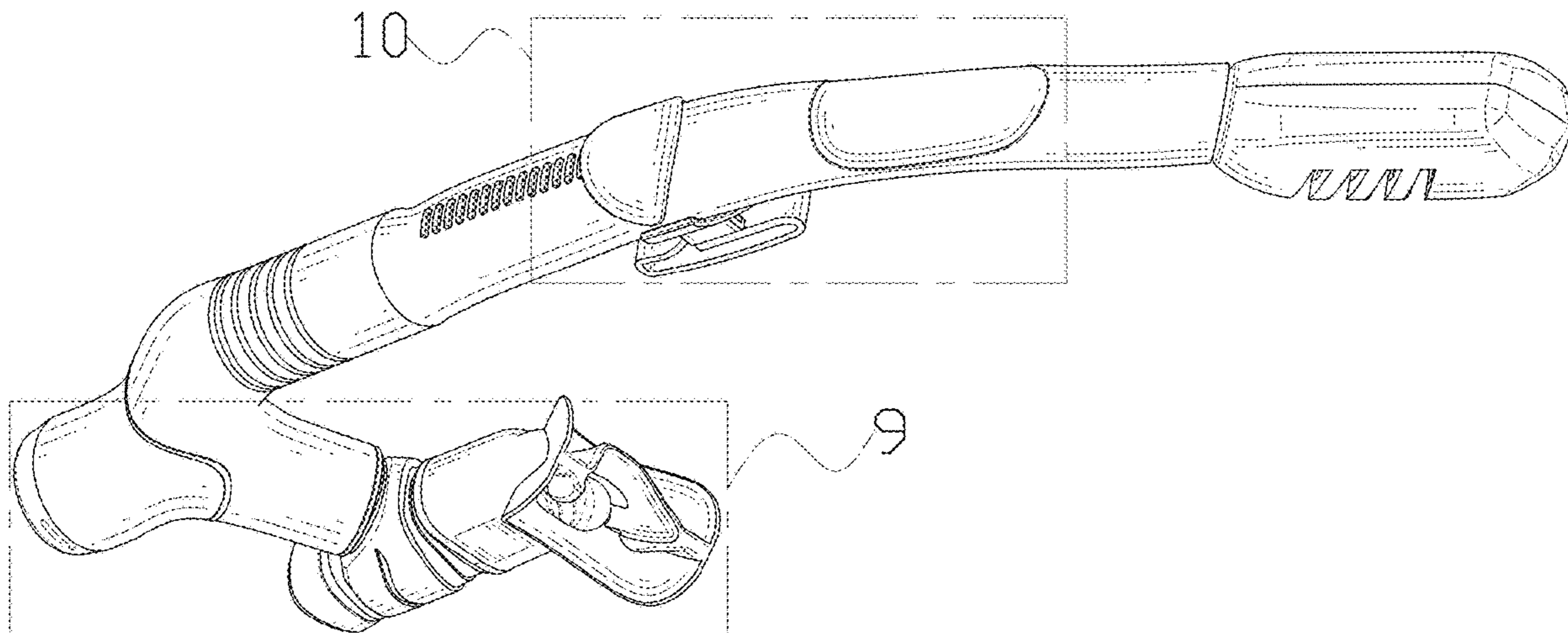
(57) **CLAIM**

The ornamental design for a snorkel, as shown and described.

DESCRIPTION

FIG. 1 is a perspective view of a snorkel showing my new design;
FIG. 2 is another perspective view thereof;
FIG. 3 is a front elevational view thereof;
FIG. 4 is a rear elevational view thereof;
FIG. 5 is a left side elevational view thereof;
FIG. 6 is a right side elevational view thereof;
FIG. 7 is a top plan view thereof;
FIG. 8 is a bottom plan view thereof;
FIG. 9 is an enlarged partial view of portion 9 in FIG. 1;
FIG. 10 is an enlarged partial view of portion 10 in FIG. 1;
and,
FIG. 11 is an enlarged partial view of portion 11 in FIG. 5.
The broken lines in the drawings depict portions of the snorkel that form no part of the claimed design.

1 Claim, 11 Drawing Sheets



(56)

References Cited

U.S. PATENT DOCUMENTS

7,793,656	B2 *	9/2010	Johnson	B63C 11/205 128/201.11
8,166,968	B2 *	5/2012	Garraffa	B63C 11/205 128/201.11
2003/0047182	A1 *	3/2003	Chen-Lieh	B63C 11/205 128/201.11
2004/0079366	A1 *	4/2004	Kawashima	B63C 11/205 128/201.11
2004/0226557	A1 *	11/2004	Shiue	B63C 11/205 128/201.11
2008/0092883	A1 *	4/2008	Shiue	B63C 11/205 128/201.11
2008/0099012	A1 *	5/2008	Johnson	B63C 11/205 128/201.11
2008/0135045	A1 *	6/2008	Johnson	B63C 11/205 128/201.11
2010/0132701	A1 *	6/2010	Fukasawa	B63C 11/205 128/201.11
2019/0016422	A1 *	1/2019	Hsu	B63C 11/16
2020/0094930	A1 *	3/2020	Chen	B63C 11/26
2020/0156746	A1 *	5/2020	Shiue	B63C 11/16

* cited by examiner

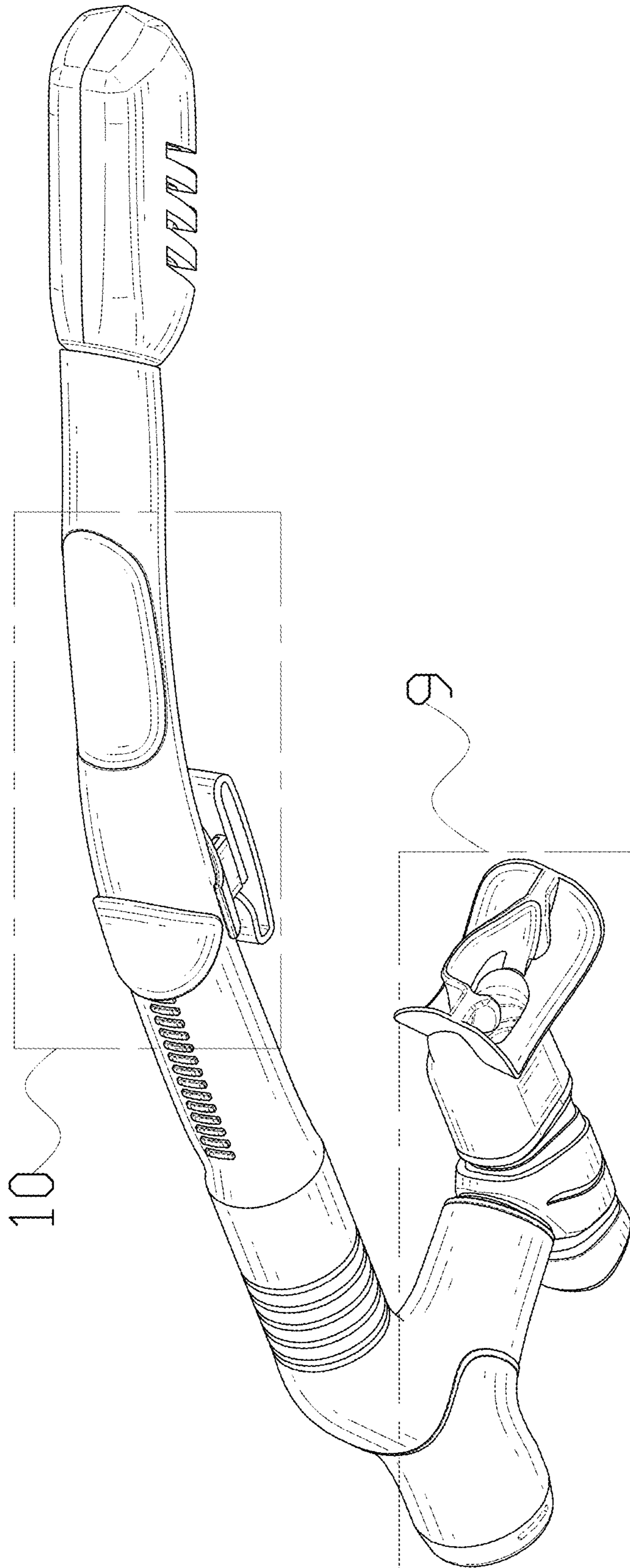


FIG. 1

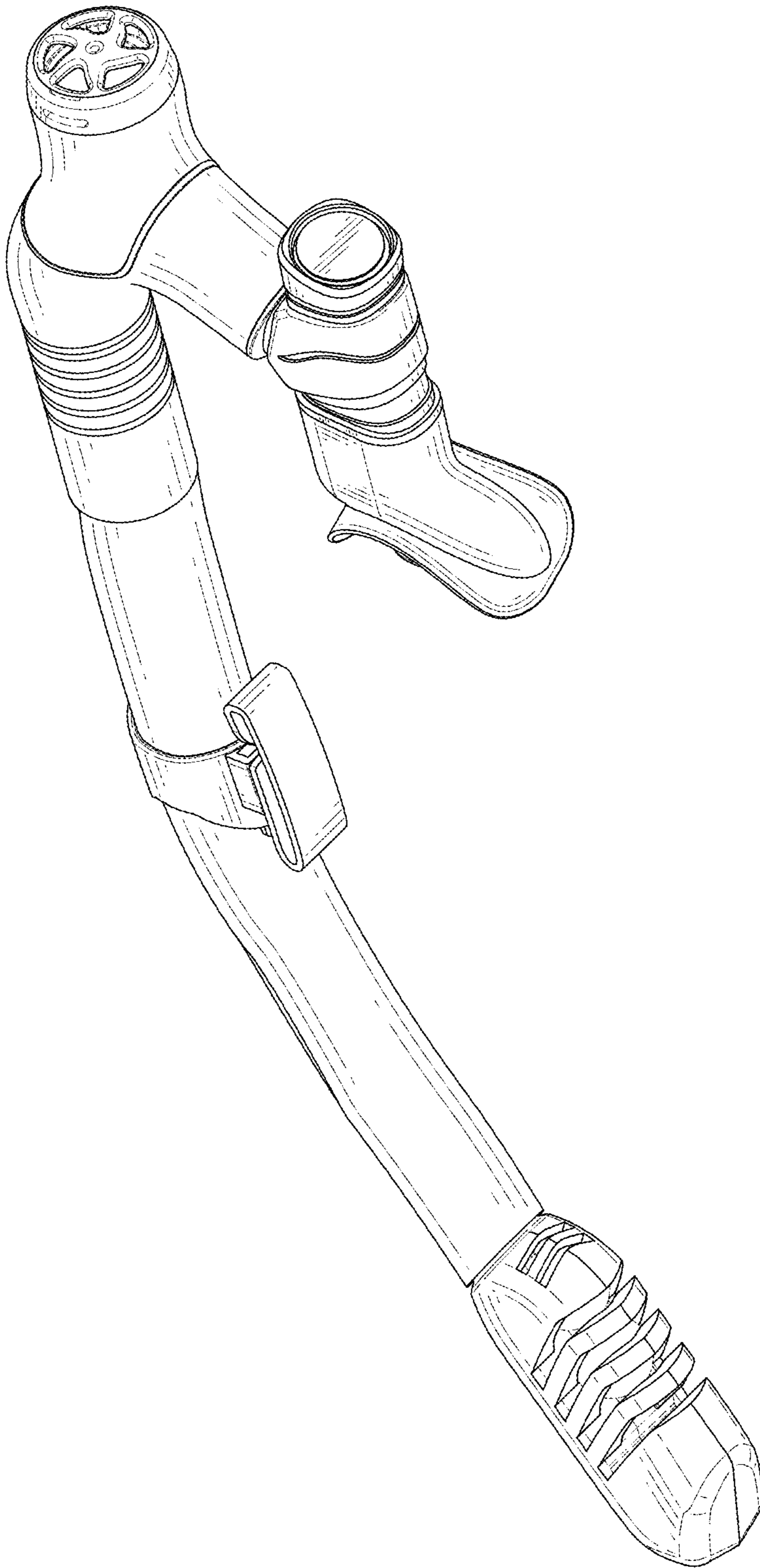


FIG. 2

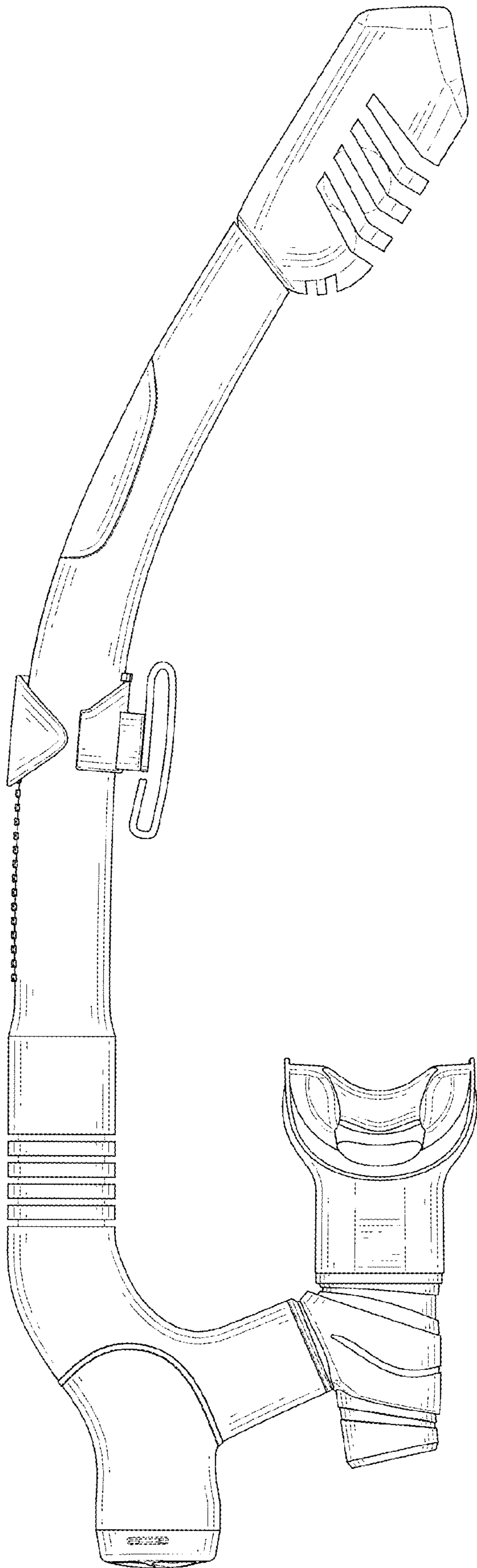


FIG. 3

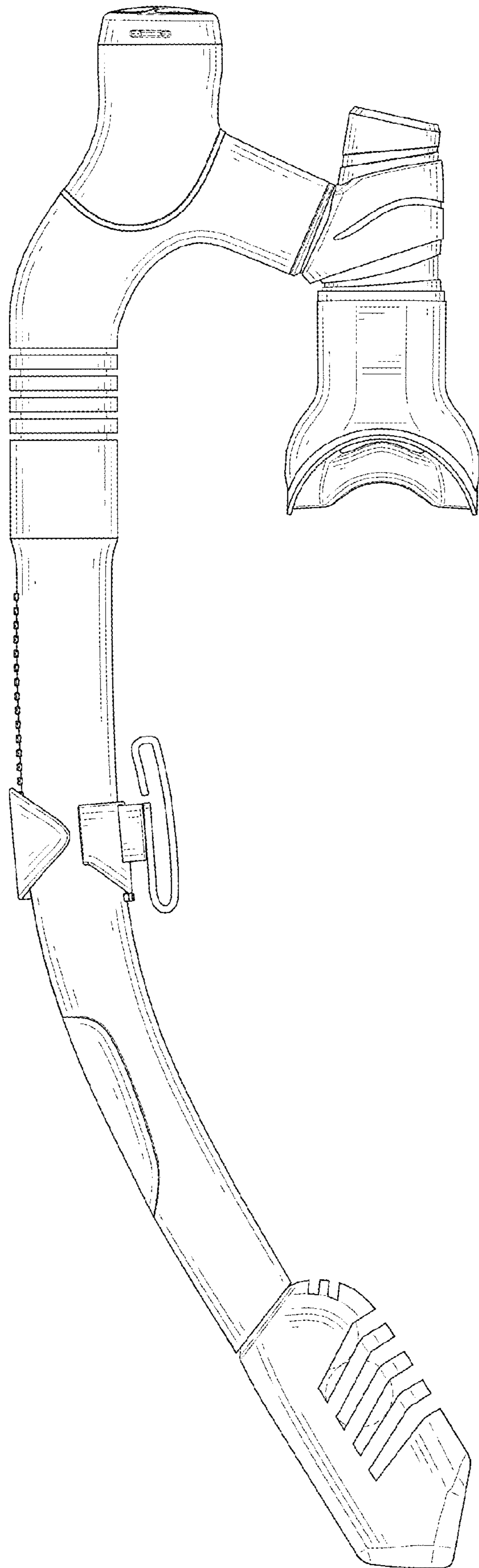


FIG. 4

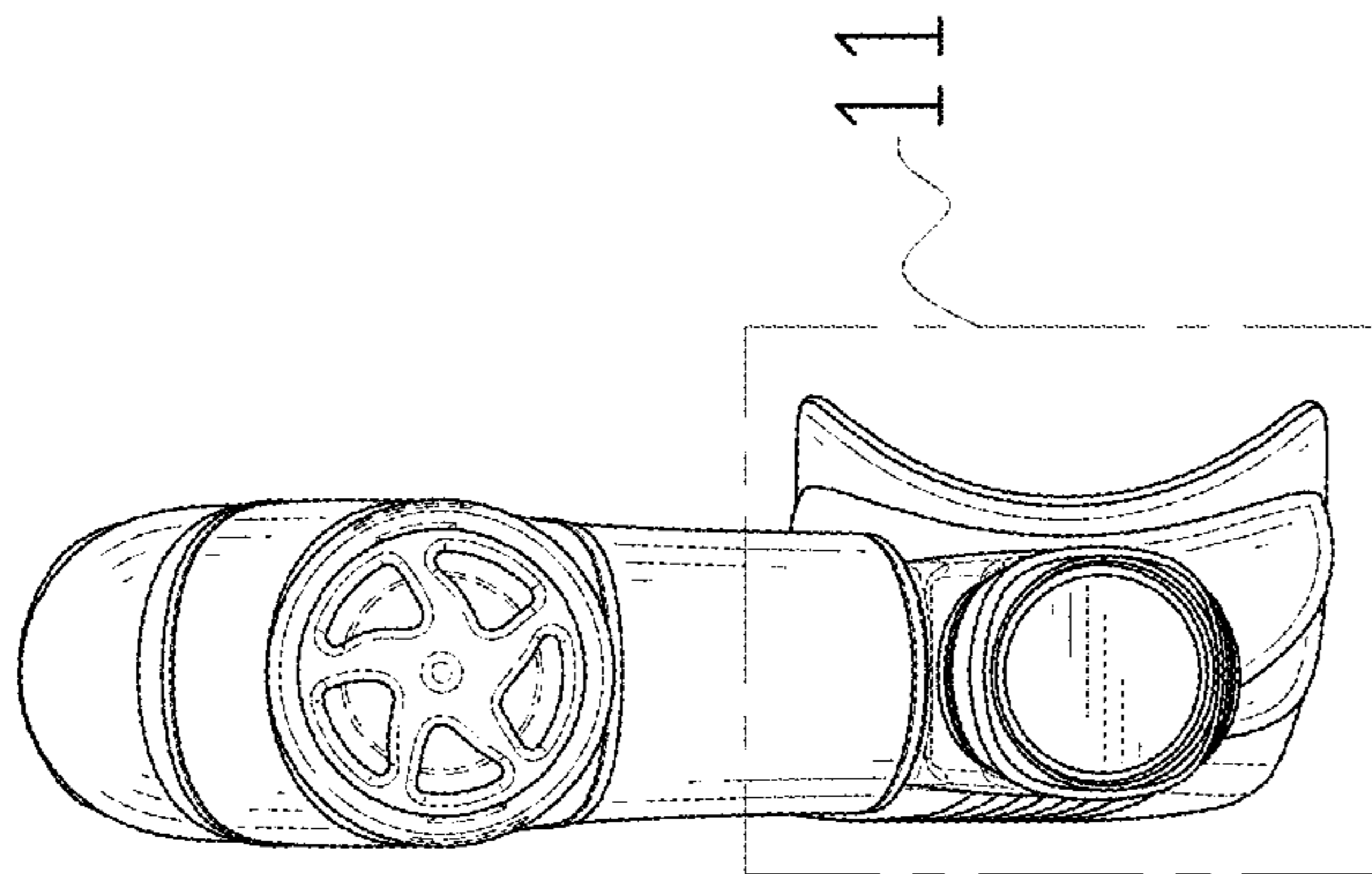


FIG. 5

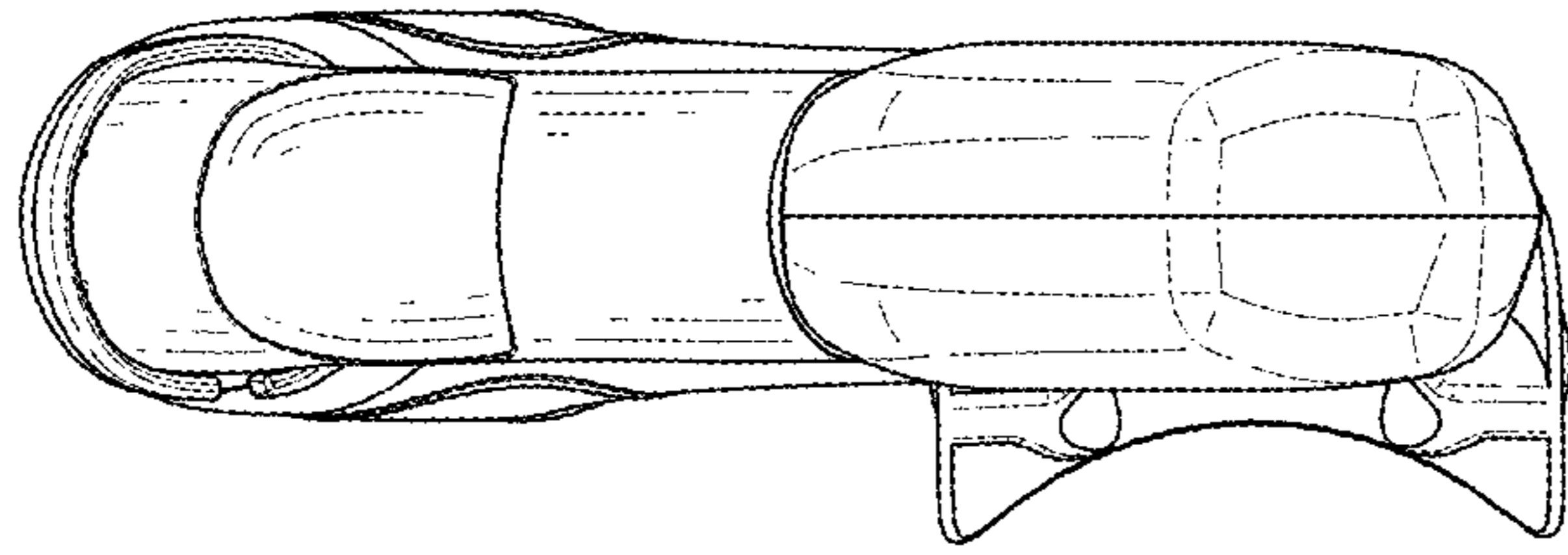


FIG. 6

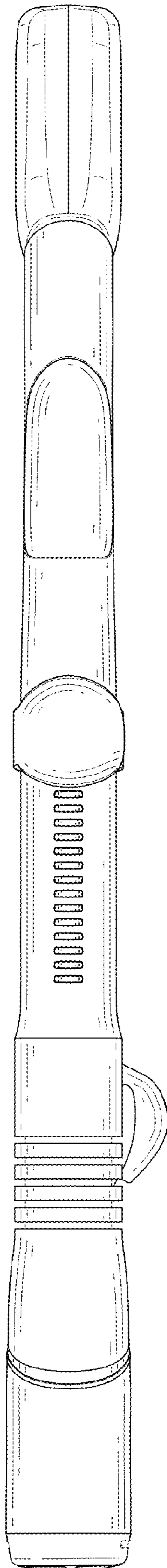


FIG. 7

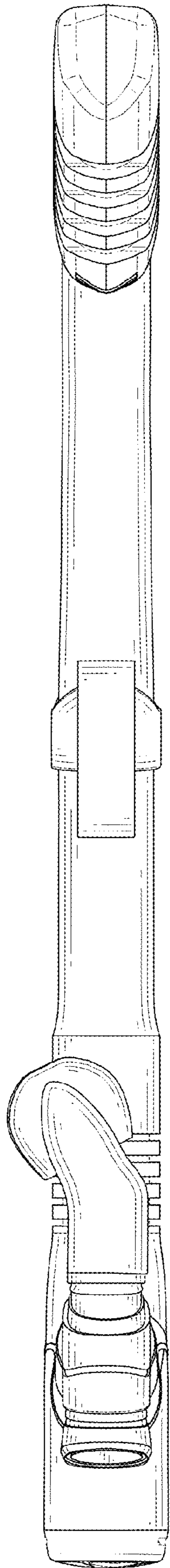


FIG. 8

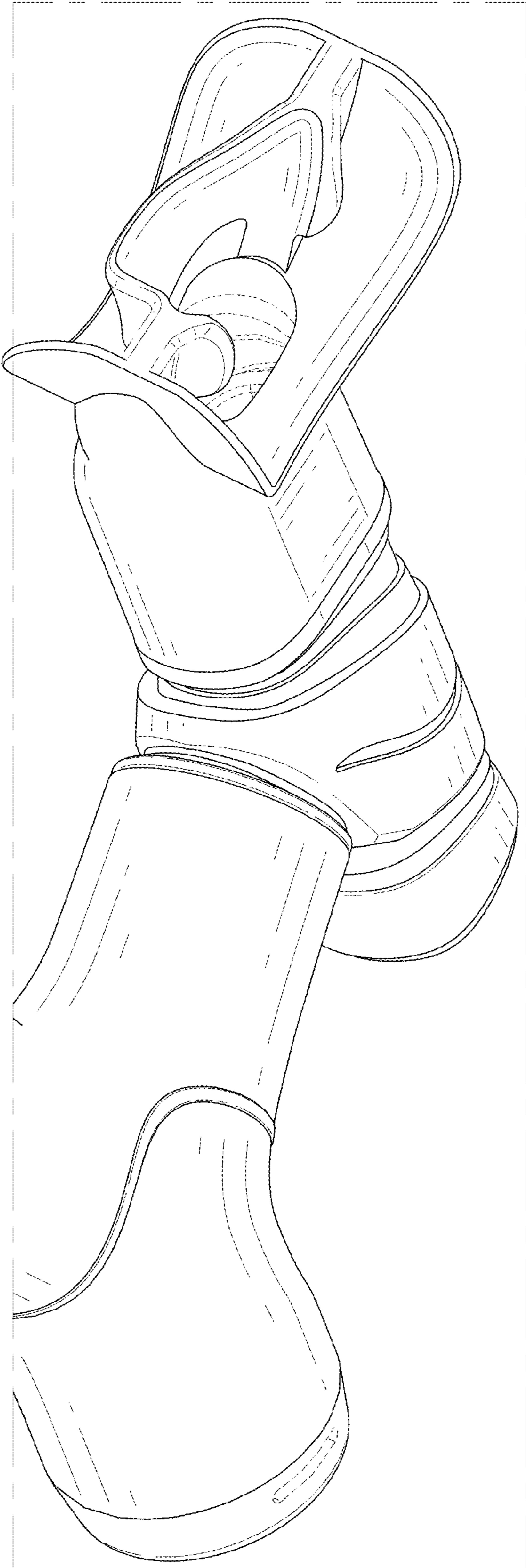


FIG. 9

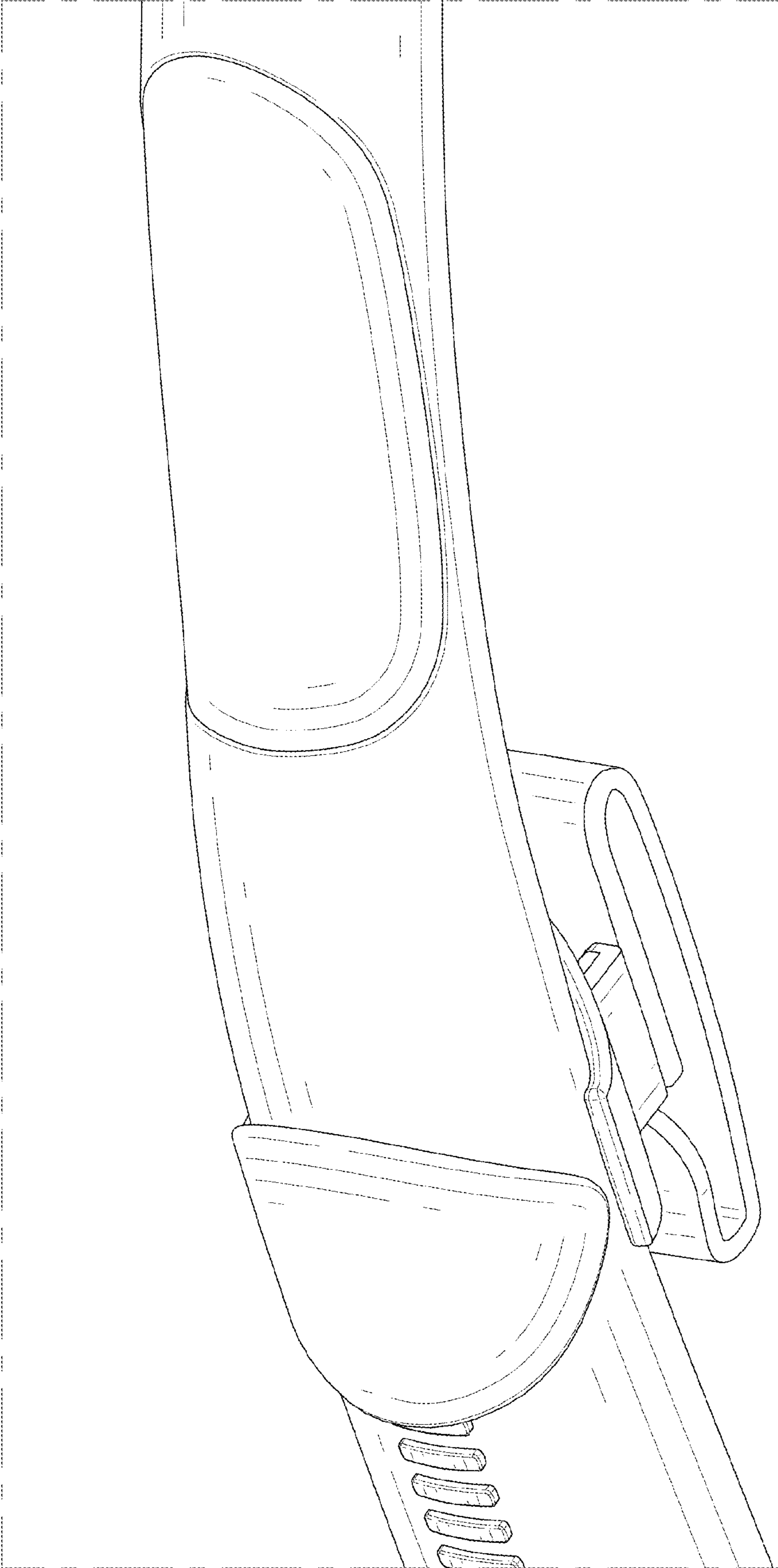


FIG. 10

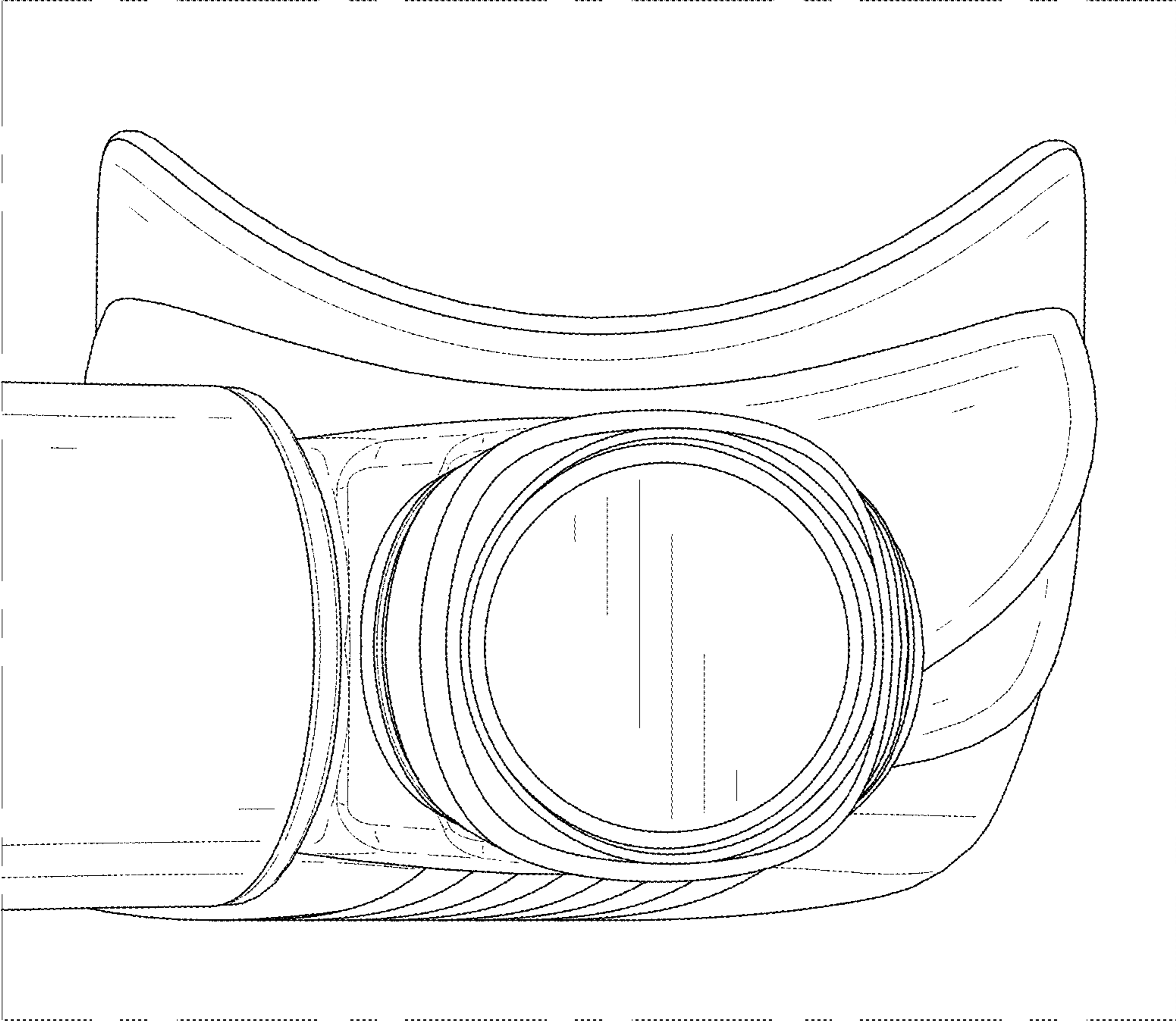


FIG. 11