



US00D905230S

(12) **United States Design Patent**
Chang et al.

(10) **Patent No.:** **US D905,230 S**
(45) **Date of Patent:** **** Dec. 15, 2020**

- (54) **FLEX CONDUIT FOR A BREAST PUMP**
- (71) Applicant: **EXPLORAMED NC7, INC.**, Mountain View, CA (US)
- (72) Inventors: **John Chang**, Los Altos, CA (US);
Brian Mason, Menlo Park, CA (US)
- (73) Assignee: **Willow Innovations, Inc.**, Mountain View, CA (US)
- (**) Term: **15 Years**
- (21) Appl. No.: **29/666,433**
- (22) Filed: **Oct. 12, 2018**

7,824,363	B2 *	11/2010	Myers	A61M 1/0068	604/74
D715,428	S *	10/2014	Baid	D24/130	
D811,579	S *	2/2018	Chang	D24/109	
9,919,084	B2 *	3/2018	Pollen	A61M 1/0049	
D834,177	S *	11/2018	Chang	D24/109	
10,625,005	B2 *	4/2020	Chang	A61M 1/0001	
2002/0193731	A1 *	12/2002	Myers	A61M 1/062	604/74
2007/0219486	A1 *	9/2007	Myers	A61M 1/064	604/74
2008/0275386	A1 *	11/2008	Myers	A61M 1/062	604/74
2014/0052056	A1 *	2/2014	Garbez	A61M 1/064	604/74
2014/0180205	A1 *	6/2014	Lee	A61B 17/24	604/74
2016/0058928	A1 *	3/2016	Nowroozi	A61M 1/066	604/74

Related U.S. Application Data

- (63) Continuation of application No. 29/633,989, filed on Jan. 17, 2018, now Pat. No. Des. 834,177, which is a continuation of application No. 29/554,305, filed on Feb. 10, 2016, now Pat. No. Des. 811,579.

- (51) **LOC (12) Cl.** **24-02**
- (52) **U.S. Cl.**
USPC **D24/109**

- (58) **Field of Classification Search**
USPC D24/108, 109, 127, 107, 111, 200, 215,
D24/110.3, 110.5, 110.6, 112, 114, 129,
D24/130; D32/21, 22, 23, 24, 31, 32, 33;
D29/108, 122
CPC A61M 1/06; A61M 1/062; A61M 1/064;
A61M 1/066; A61M 1/0037; A61M
1/0072; A61M 1/0049; A61M 1/0031
See application file for complete search history.

(56) **References Cited**

U.S. PATENT DOCUMENTS

- 3,141,460 A * 7/1964 Tsochatzopoulos
A61B 5/15003
600/577
- D460,552 S * 7/2002 Niermann D24/130

(Continued)

Primary Examiner — Lilyana Bekic

(57) **CLAIM**

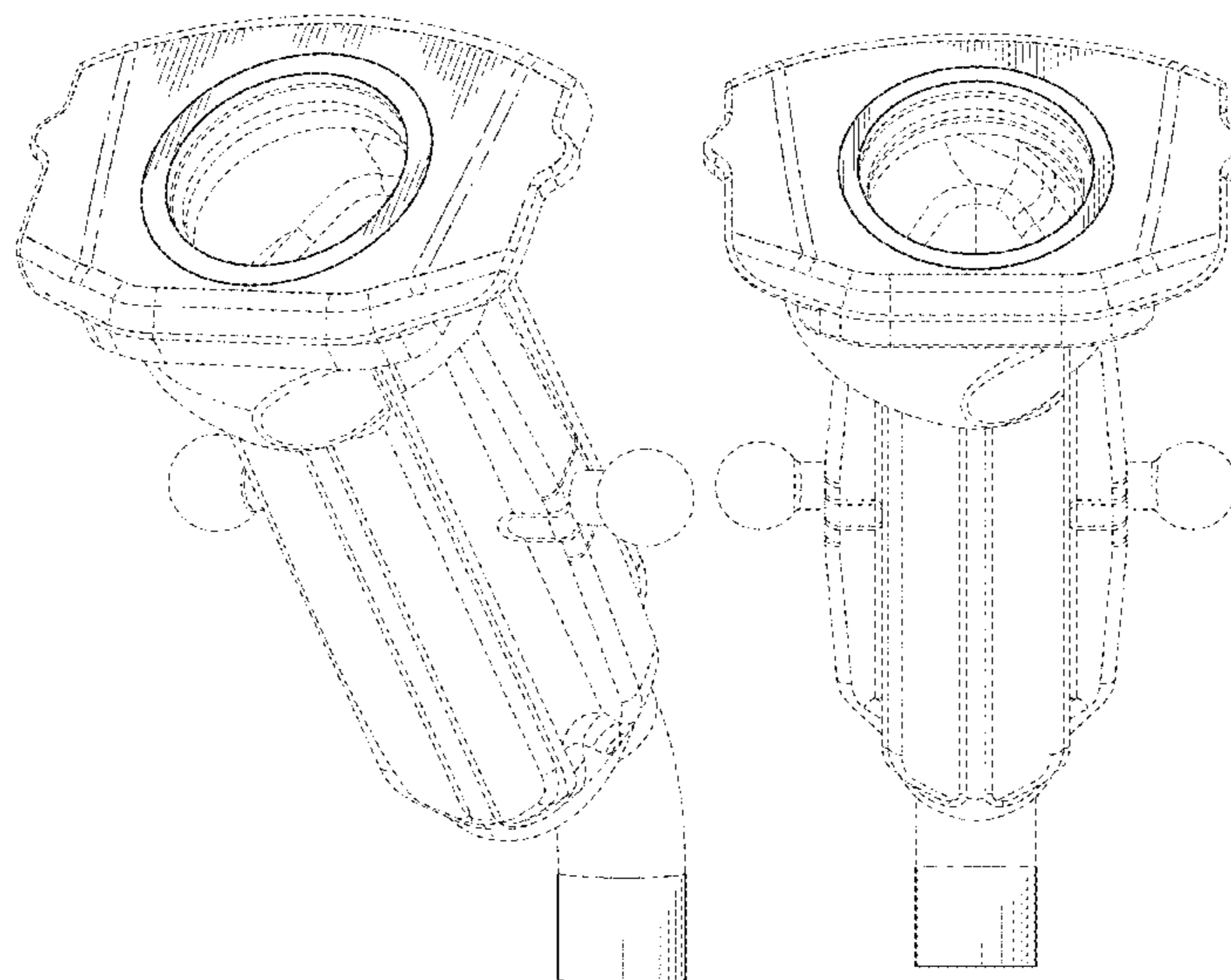
The ornamental design for a flex conduit for a breast pump, as shown and described.

DESCRIPTION

FIG. 1 is a front perspective view of a flex conduit for a breast pump showing our new design;
 FIG. 2 is a front view thereof;
 FIG. 3 is a rear view thereof;
 FIG. 4 is a left side view thereof;
 FIG. 5 is a right side view thereof;
 FIG. 6 is a top view thereof; and,
 FIG. 7 is a bottom view thereof.

The dash-dash broken lines in the drawings depict portions of the flex conduit for a breast pump that form no part of the claimed design. The dot-dash broken lines depict boundaries of the claimed design and form no part thereof.

1 Claim, 6 Drawing Sheets



(56)

References Cited

U.S. PATENT DOCUMENTS

2016/0206794 A1* 7/2016 Makower A61M 1/06
2017/0080134 A1* 3/2017 Makower A61M 1/1039
2017/0173232 A1* 6/2017 Chang A61M 1/064
2018/0021490 A1* 1/2018 Chang A61M 1/0031
604/514
2018/0333523 A1* 11/2018 Chang A61M 1/064
2018/0339089 A1* 11/2018 Chang A61M 1/06
2019/0054220 A1* 2/2019 Chang A61M 1/0031
2020/0061265 A1* 2/2020 Chang A61M 1/06

* cited by examiner

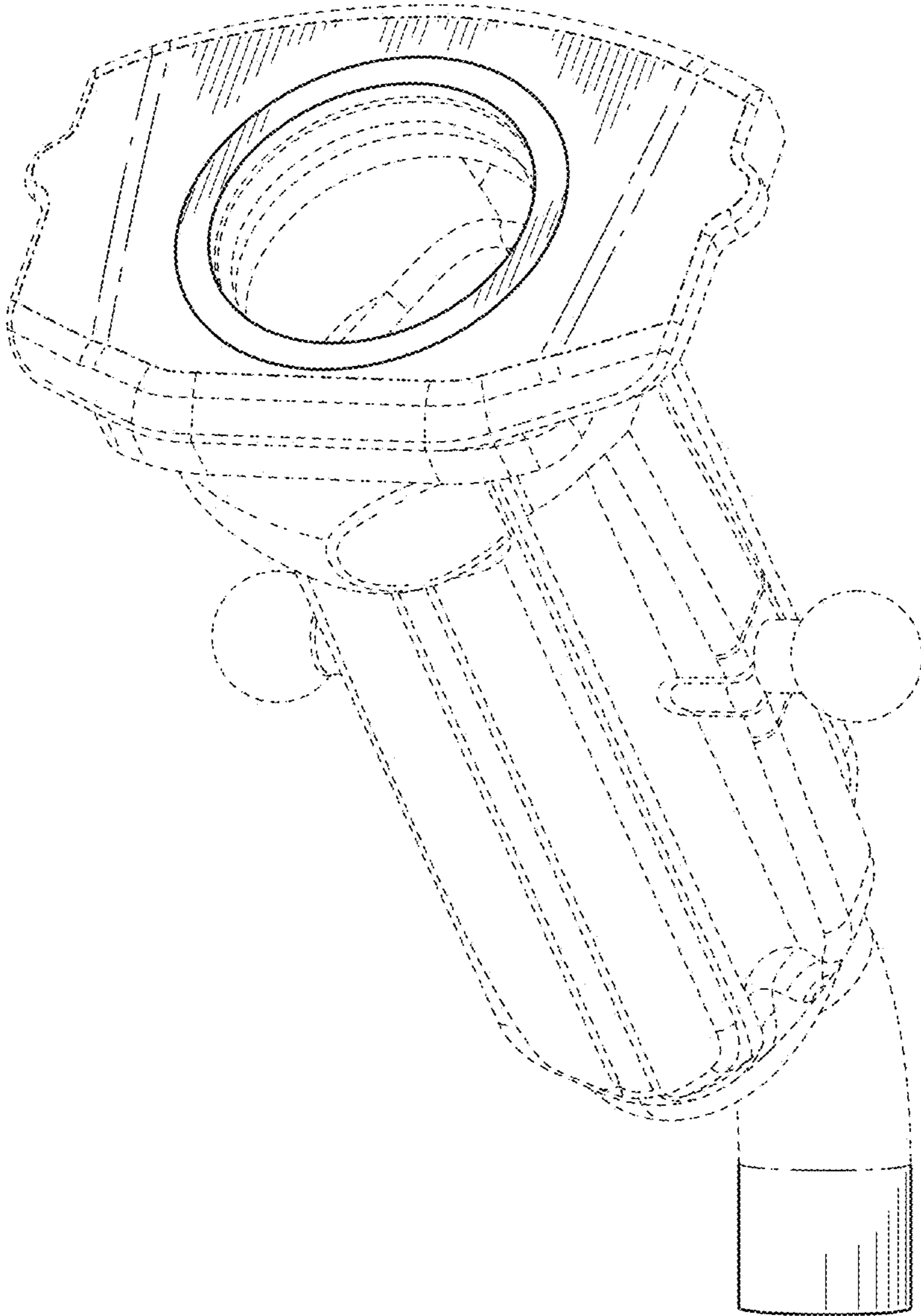


FIG. 1

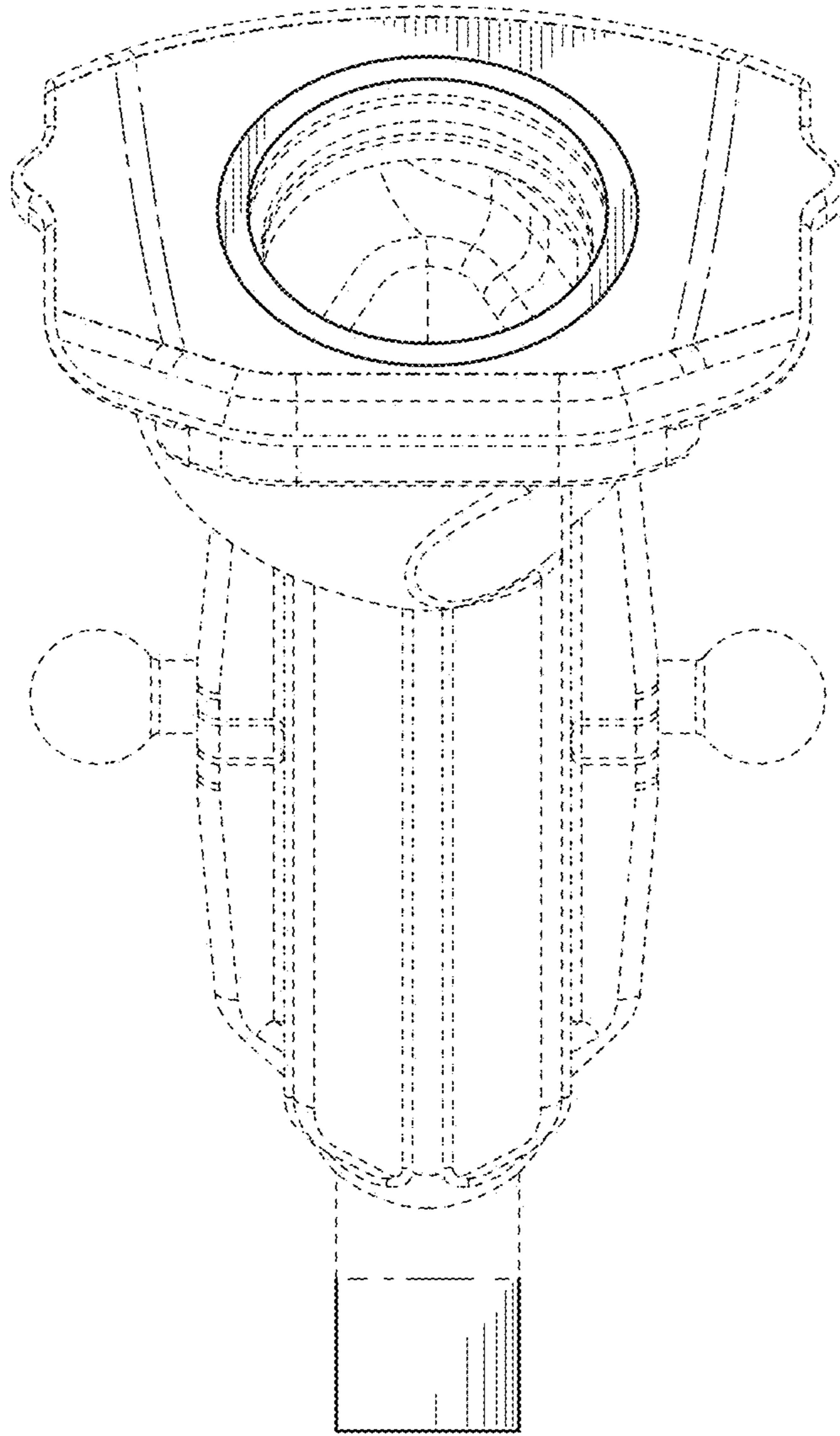


FIG. 2

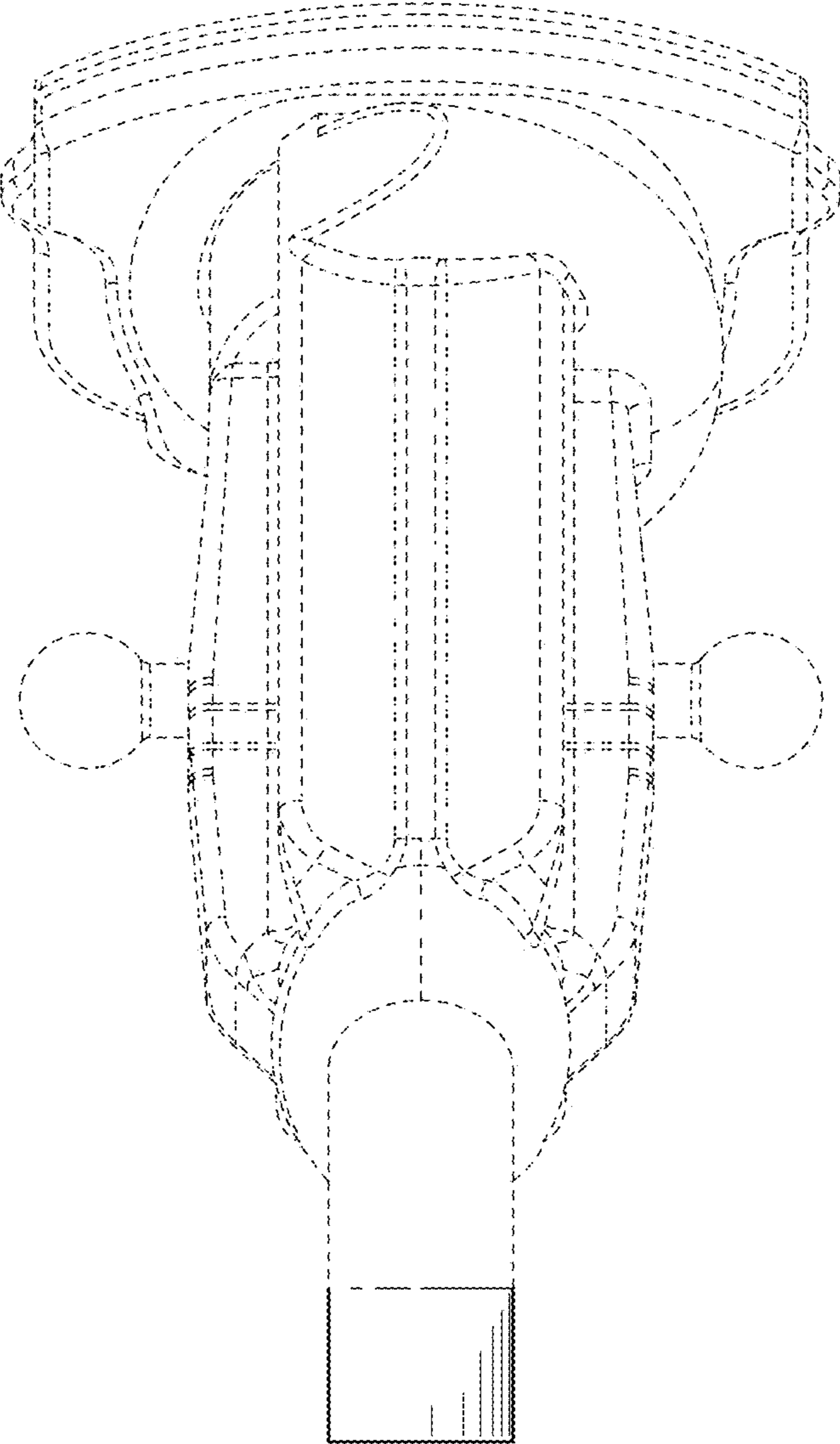


FIG. 3

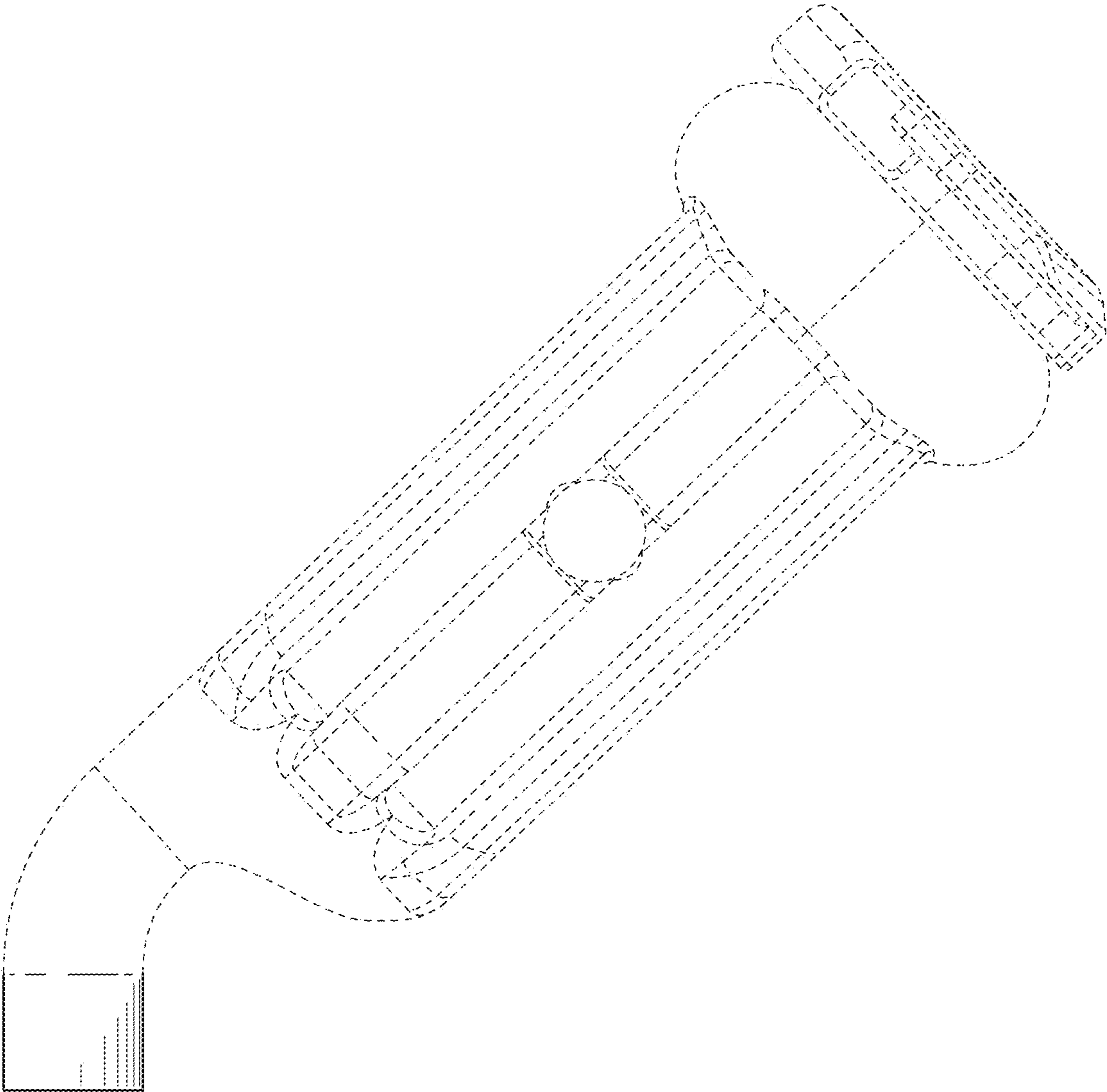


FIG. 4

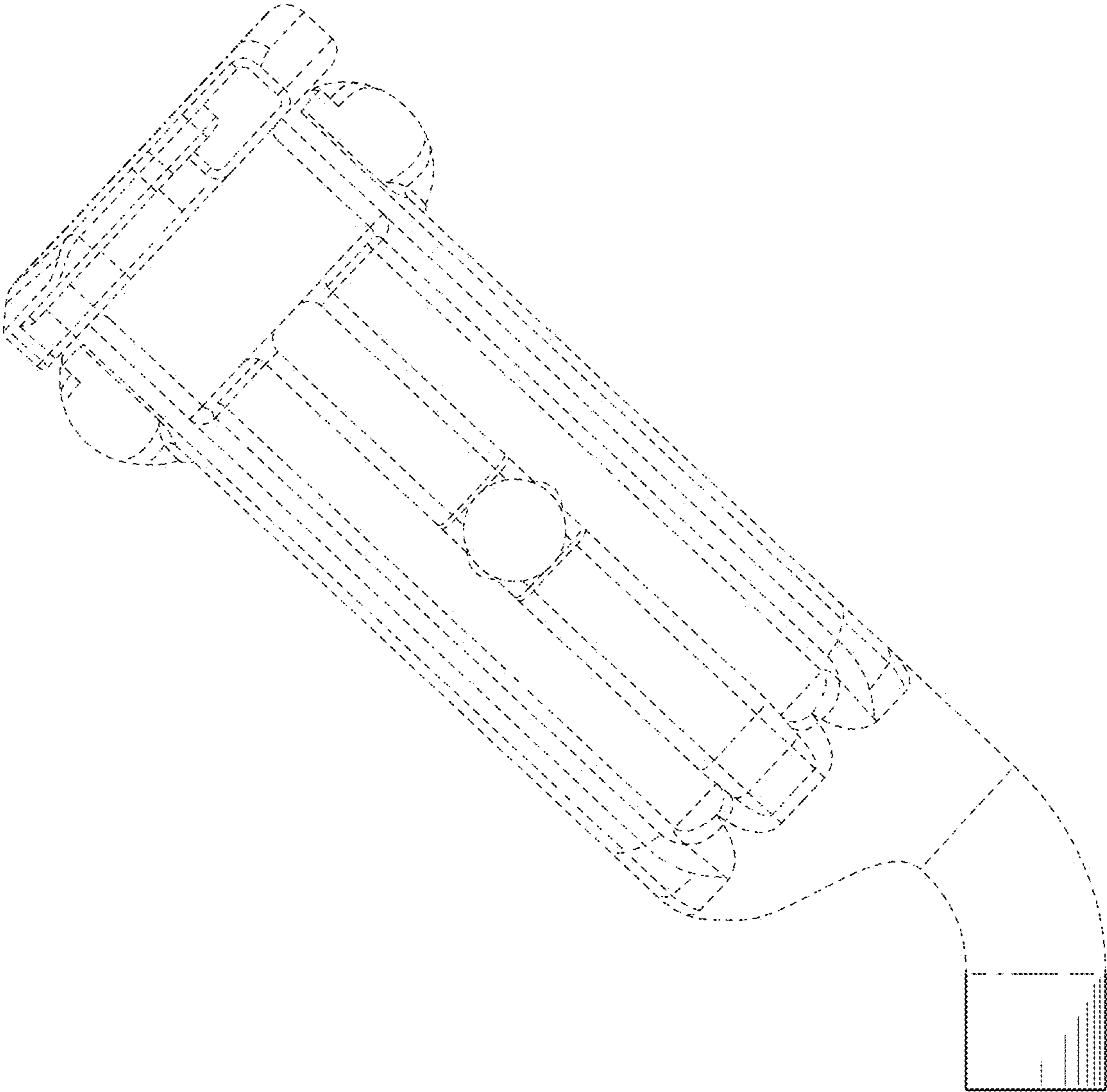


FIG. 5

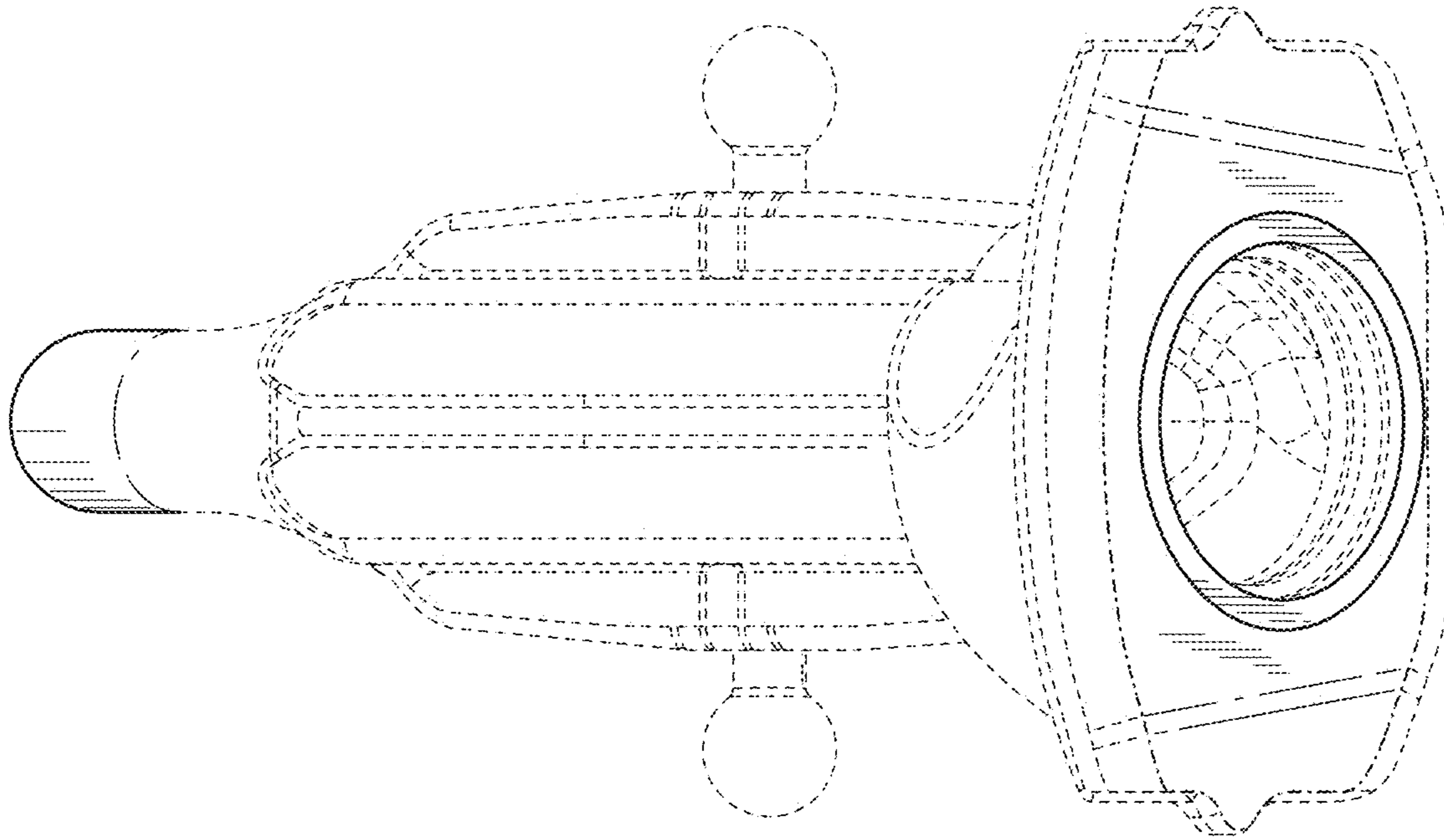


FIG. 6

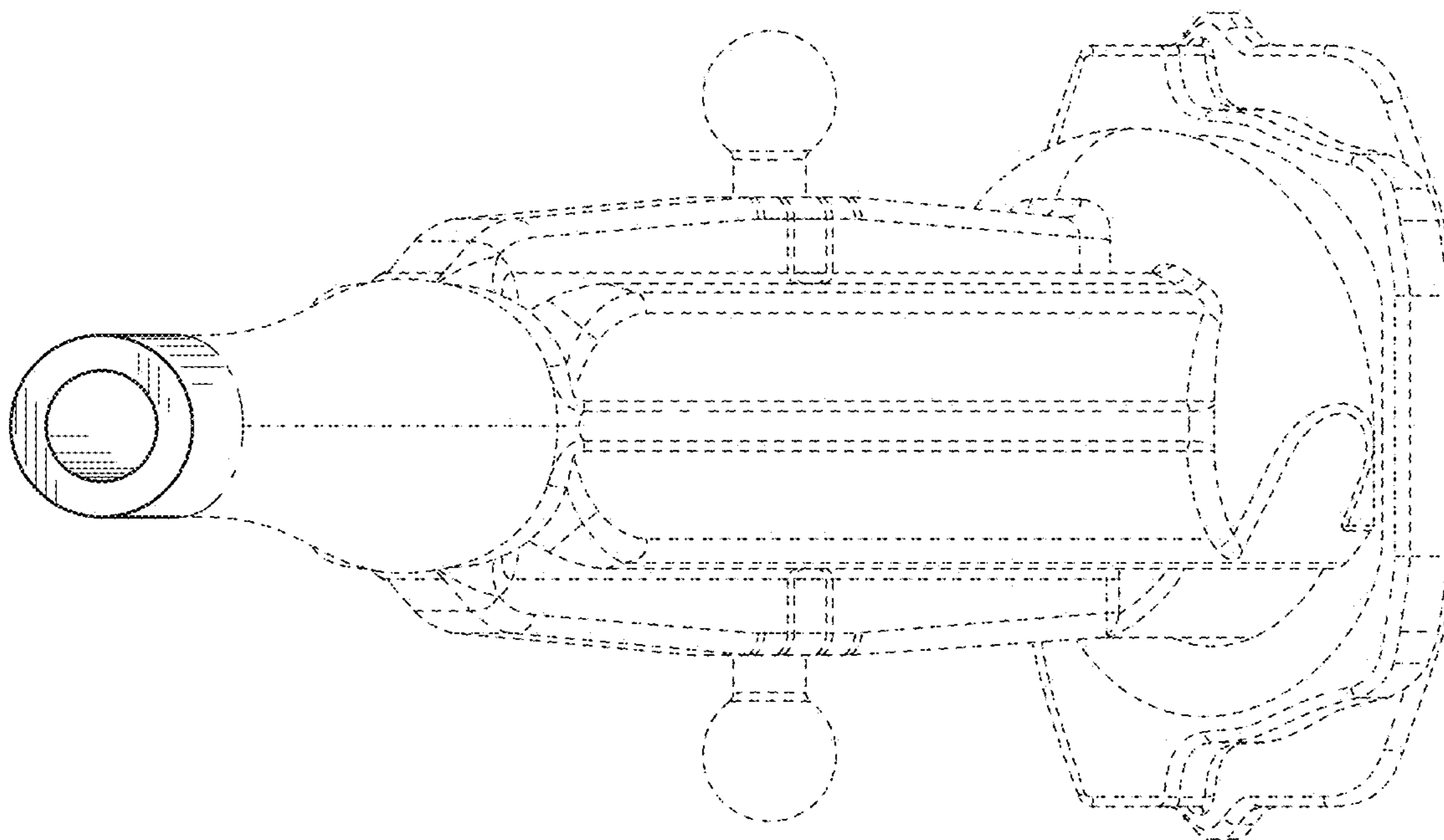


FIG. 7