

US00D905229S

(12) **United States Design Patent** (10) **Patent No.:** **US D905,229 S**
Hanneken et al. (45) **Date of Patent:** **** Dec. 15, 2020**

(54) **ELECTRIC BREAST PUMP**
(71) Applicant: **Handi-Craft Company**, St. Louis, MO (US)

D609,332 S * 2/2010 Paterson D24/109
D681,802 S * 5/2013 Marks D24/109
D683,843 S 6/2013 Cudworth
(Continued)

(72) Inventors: **Douglas Scott Hanneken**, St. Louis, MO (US); **Amanda Anne Auger**, St. Louis, MO (US)

FOREIGN PATENT DOCUMENTS

CN 305367965 * 9/2019
CN 305413731 * 11/2019

(73) Assignee: **Handi-Craft Company**, St. Louis, MO (US)

Primary Examiner — Lilyana Bekic
(74) *Attorney, Agent, or Firm* — Armstrong Teasdale LLP

(**) Term: **15 Years**

(57) **CLAIM**
We claim the ornamental design for an electric breast pump, as shown and described.

(21) Appl. No.: **29/665,571**

DESCRIPTION

(22) Filed: **Oct. 4, 2018**

(51) **LOC (12) Cl.** **24-02**

(52) **U.S. Cl.**
USPC **D24/109**

(58) **Field of Classification Search**
USPC D24/107, 109, 121, 193, 197
CPC A61M 1/06; A61M 1/062; A61M 1/064;
A61M 1/0031; A61M 1/0072; A61M
2205/3344

See application file for complete search history.

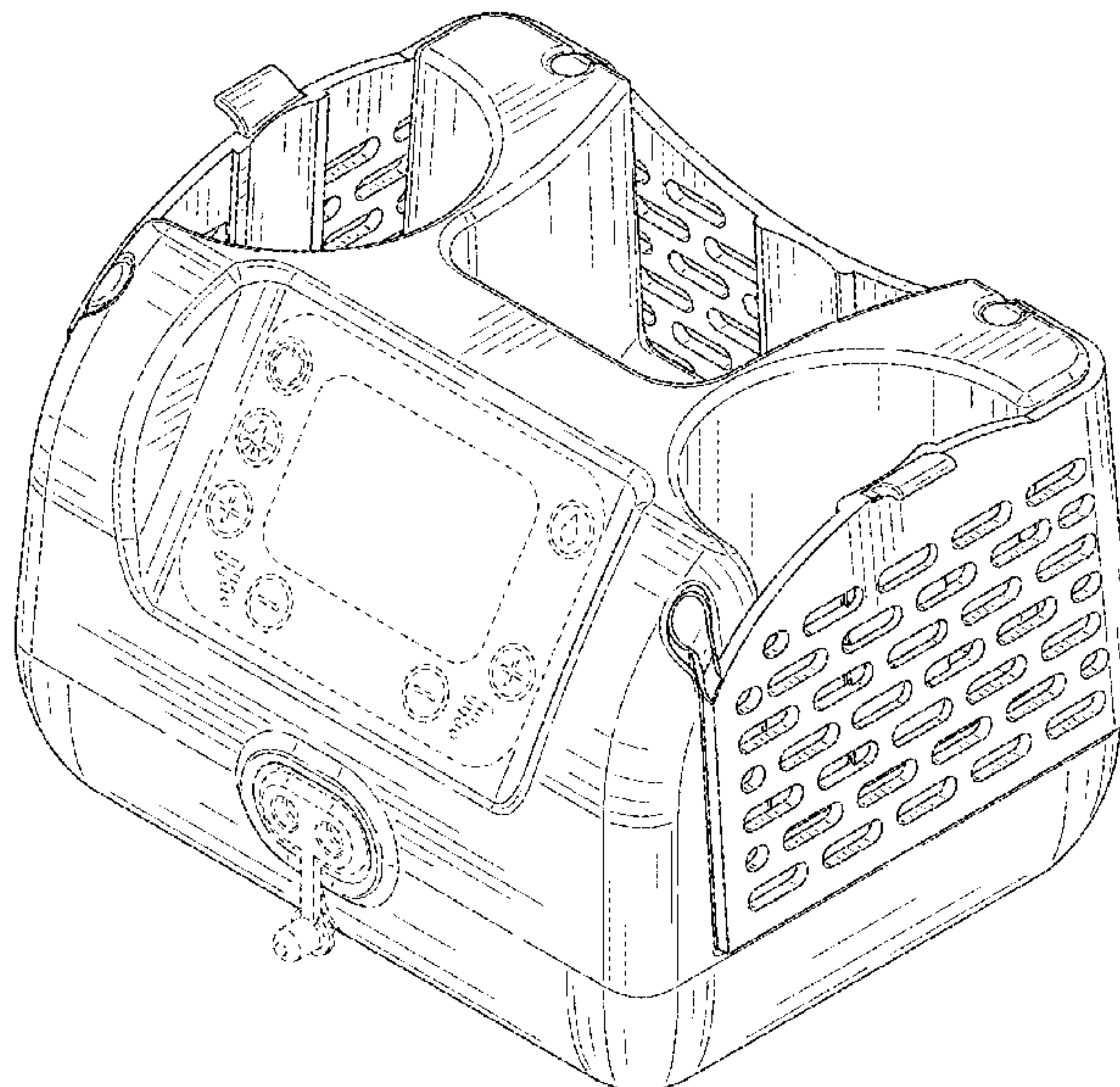
FIG. 1 is a top perspective view of an electric breast pump of our new design.
FIG. 2 is a back perspective view thereof.
FIG. 3 is a bottom perspective view thereof.
FIG. 4 is a front elevation view thereof.
FIG. 5 is a back elevation view thereof.
FIG. 6 is a right side elevation view thereof.
FIG. 7 is a left side elevation view thereof.
FIG. 8 is a top plan view thereof.
FIG. 9 is a bottom plan view thereof.
FIG. 10 is a top perspective view of the electric breast pump with a panel removed such that a shelf and a handle of the electric breast pump are visible.
FIG. 11 is a first back perspective view of the electric breast pump with the panel removed.
FIG. 12 is a second back perspective view of the electric breast pump with the panel removed; and,
FIG. 13 is a back elevation view of the electric breast pump with the panel removed.
Broken lines are for illustrative purposes only and form no part of the claimed design.
The broken lines in the drawings depict portions of the electric breast pump that form no part of the claimed design.

(56) **References Cited**

U.S. PATENT DOCUMENTS

D251,015 S 2/1979 Cone
D372,975 S 8/1996 Meyers
D446,853 S 8/2001 Johansen
D468,822 S * 1/2003 Greter D24/108
D496,097 S 9/2004 Rosnak
D498,670 S 11/2004 Cummings
7,223,255 B2 5/2007 Myers
7,569,031 B2 * 8/2009 Britto A61M 1/06
604/315
D609,330 S * 2/2010 Paterson D24/109
D609,331 S 2/2010 Paterson

1 Claim, 13 Drawing Sheets



(56)

References Cited

U.S. PATENT DOCUMENTS

8,900,182	B2 *	12/2014	Britto	A61M 1/06 604/74
D744,086	S *	11/2015	Yamashita	D24/109
10,744,243	B2 *	8/2020	Rigert	A61M 1/06
2003/0069536	A1 *	4/2003	Greter	A61M 1/06 604/74
2004/0024352	A1	2/2004	Renz	
2007/0135761	A1 *	6/2007	Cheng	A61M 1/06 604/74
2008/0021380	A1 *	1/2008	Thommen	A61M 1/06 604/74
2010/0324478	A1 *	12/2010	Kazazoglu	A61M 1/06 604/74
2016/0346446	A1 *	12/2016	Evans	A61M 1/06
2018/0028732	A1 *	2/2018	Rigert	A61M 1/06
2018/0104395	A1 *	4/2018	Aalders	A61M 1/06
2018/0154055	A1 *	6/2018	Alvarez	A61M 1/0072
2018/0369463	A1 *	12/2018	Tanaka	F04B 49/12
2020/0316274	A1 *	10/2020	Alvarez	A61M 1/0072

* cited by examiner

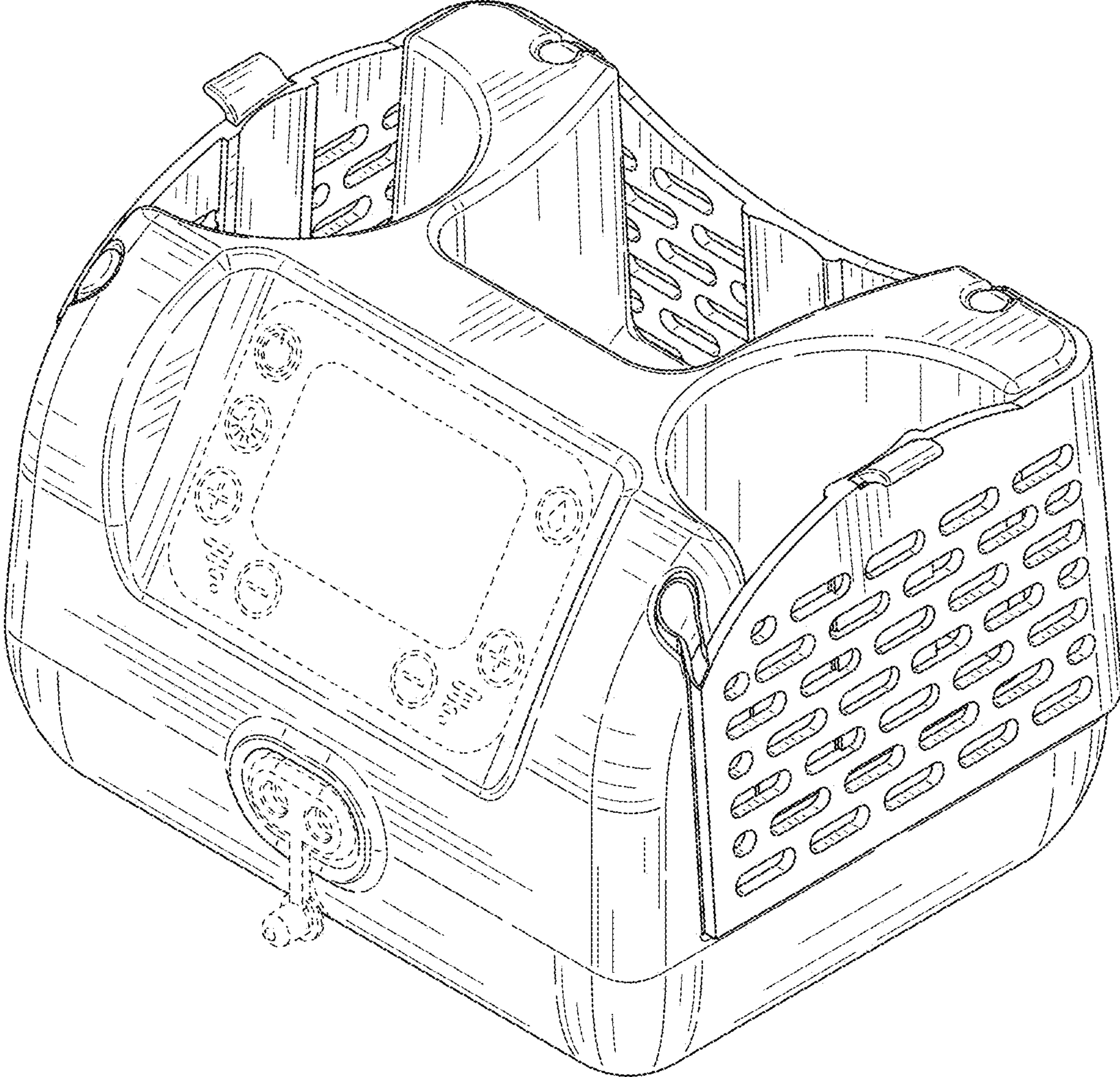


FIG. 1

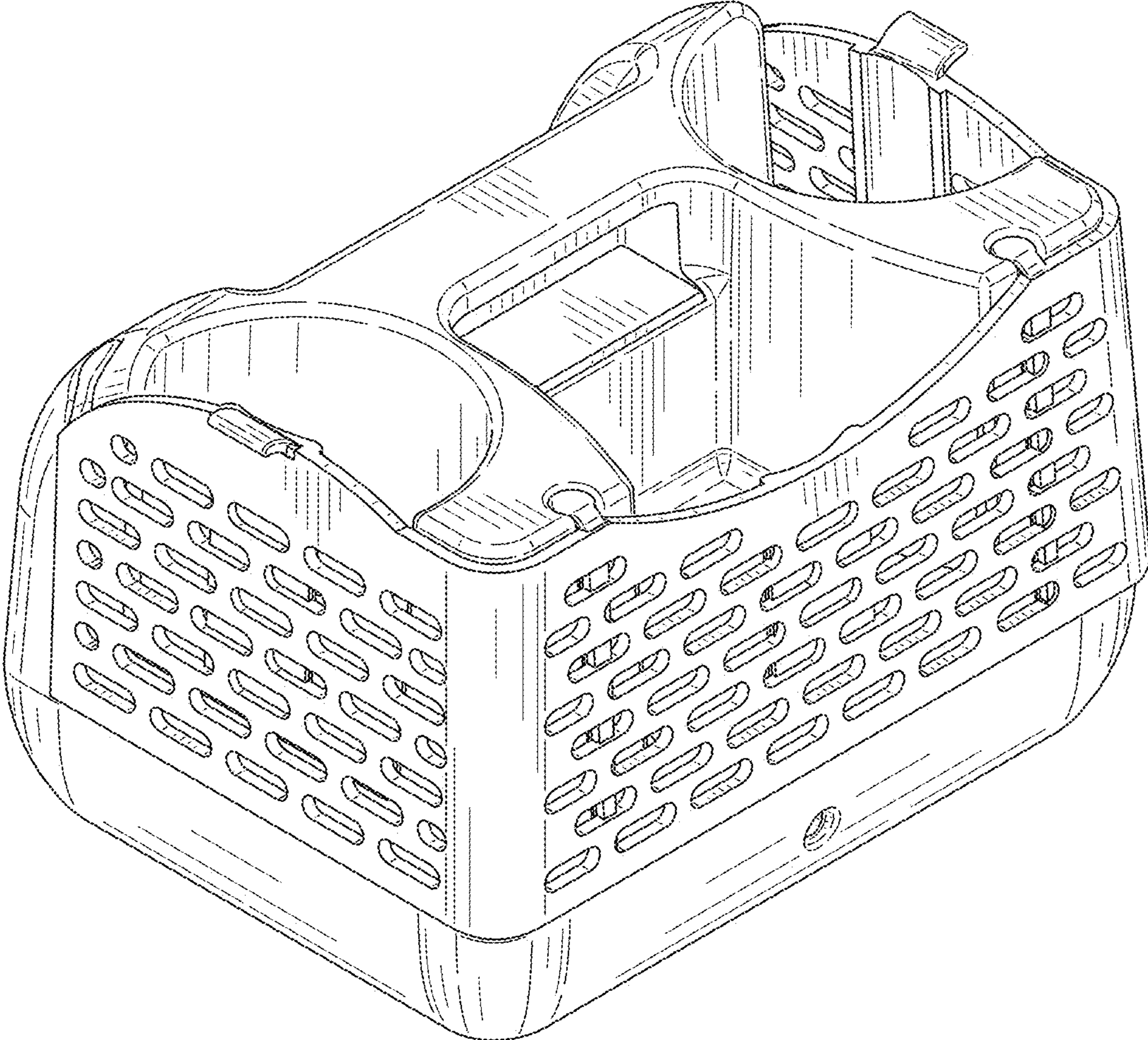


FIG. 2

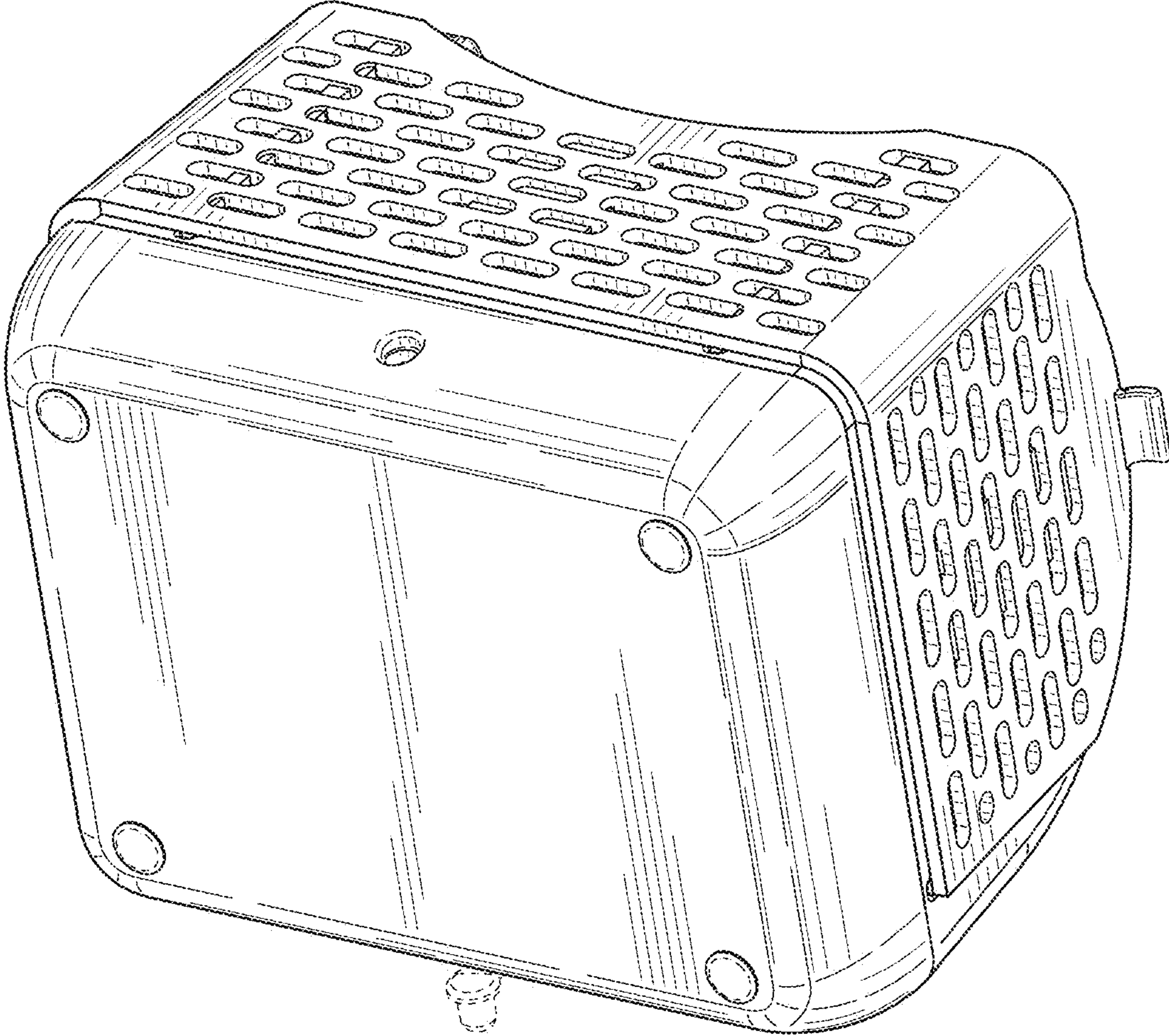


FIG. 3

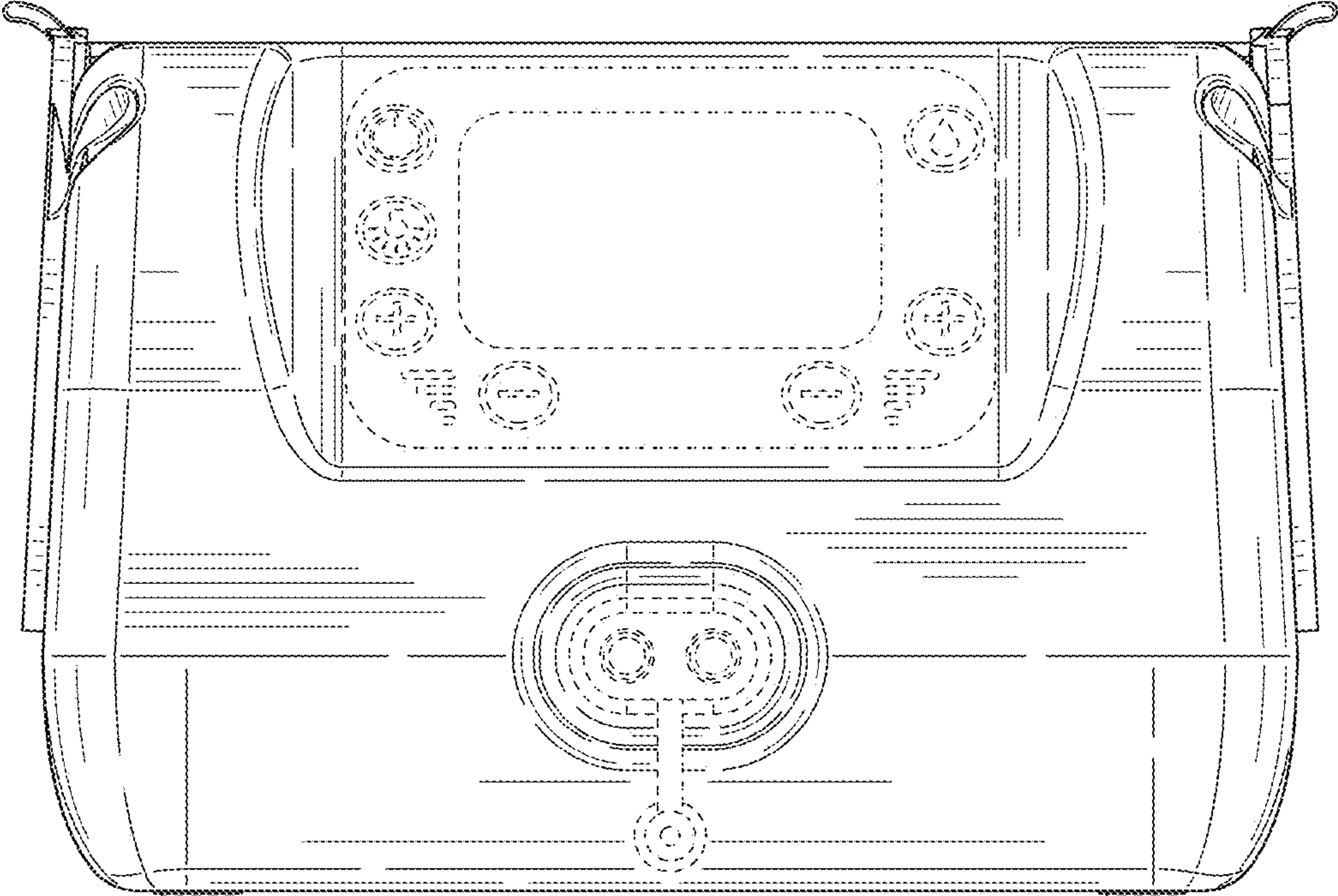


FIG. 4

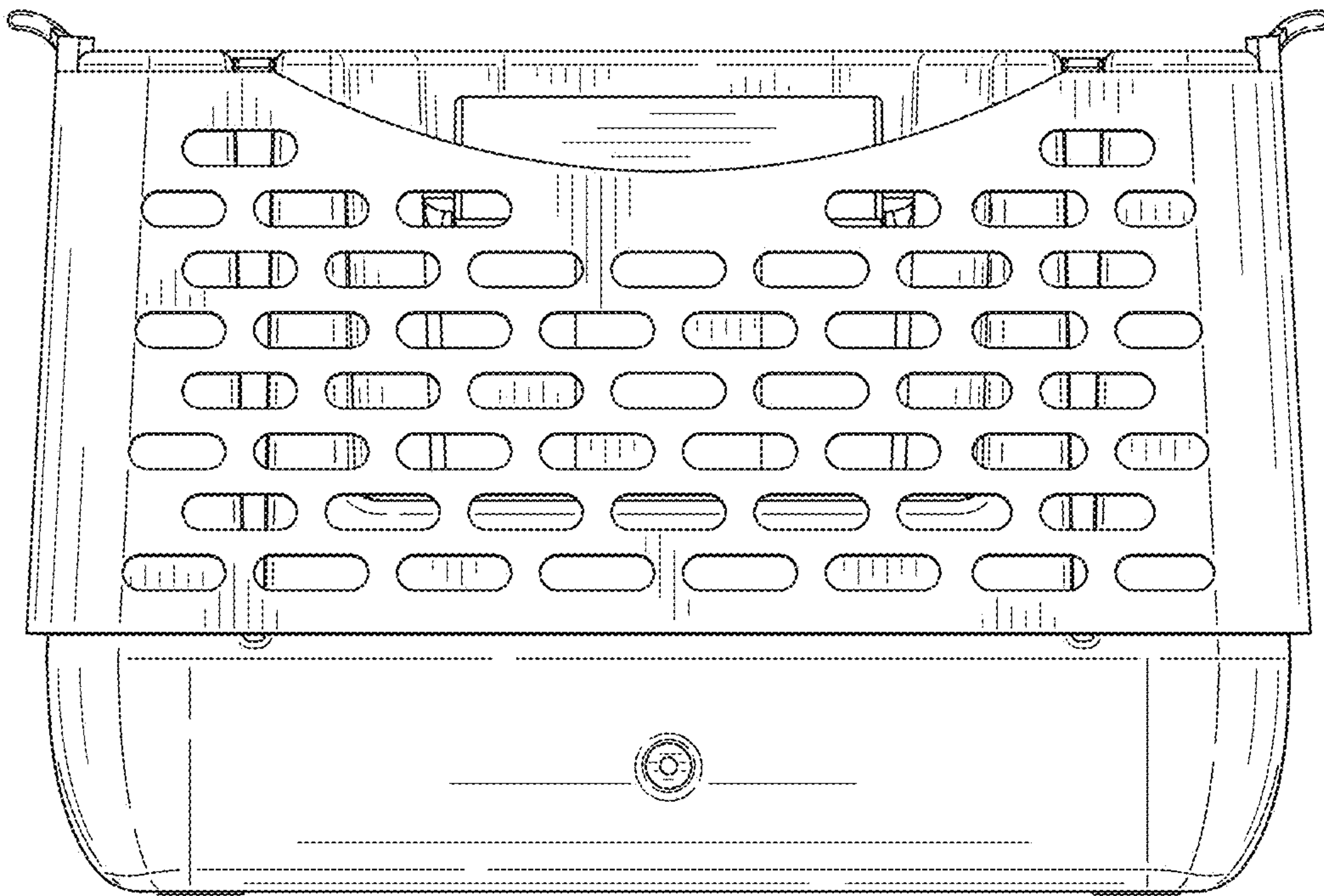


FIG. 5

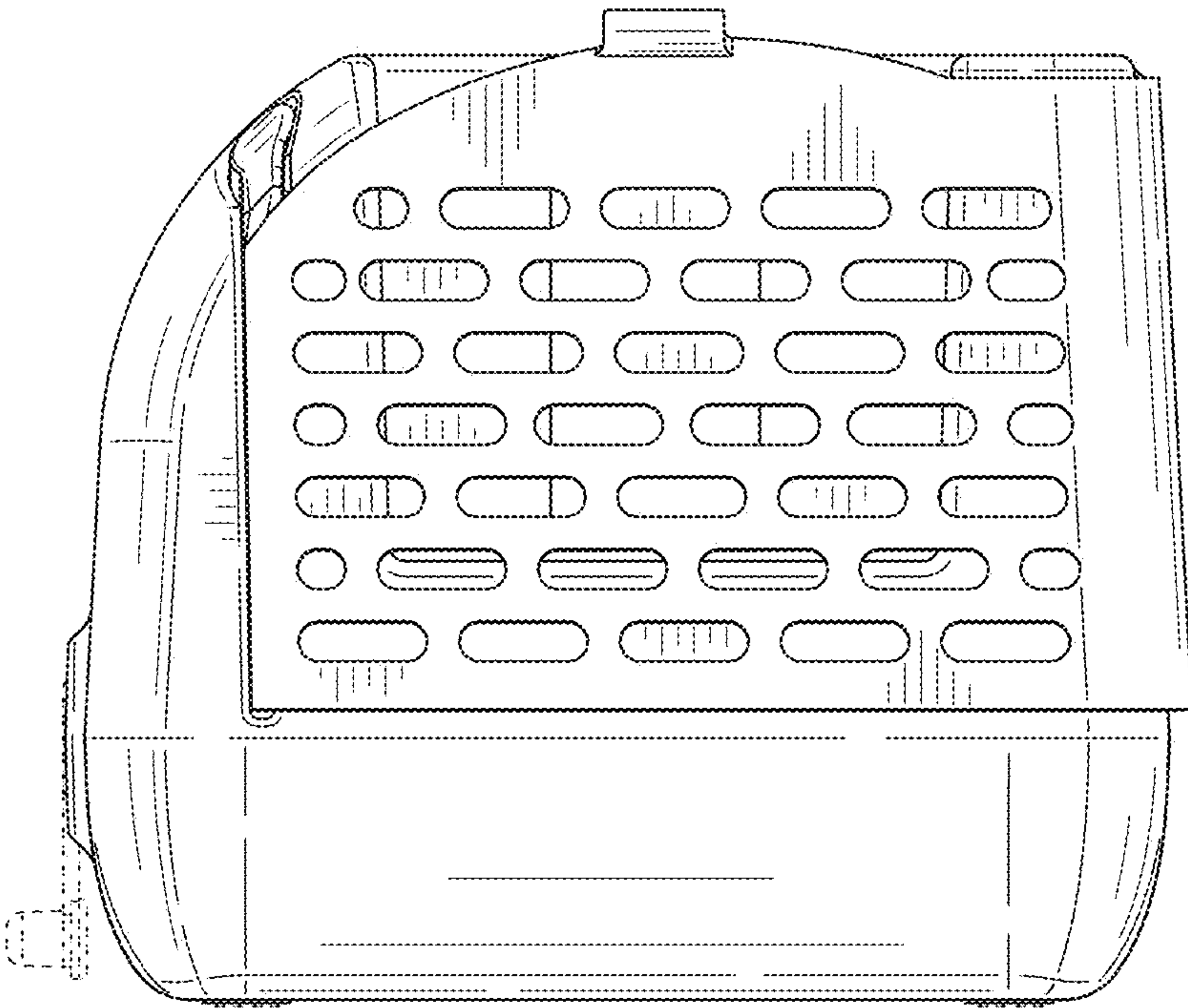


FIG. 6

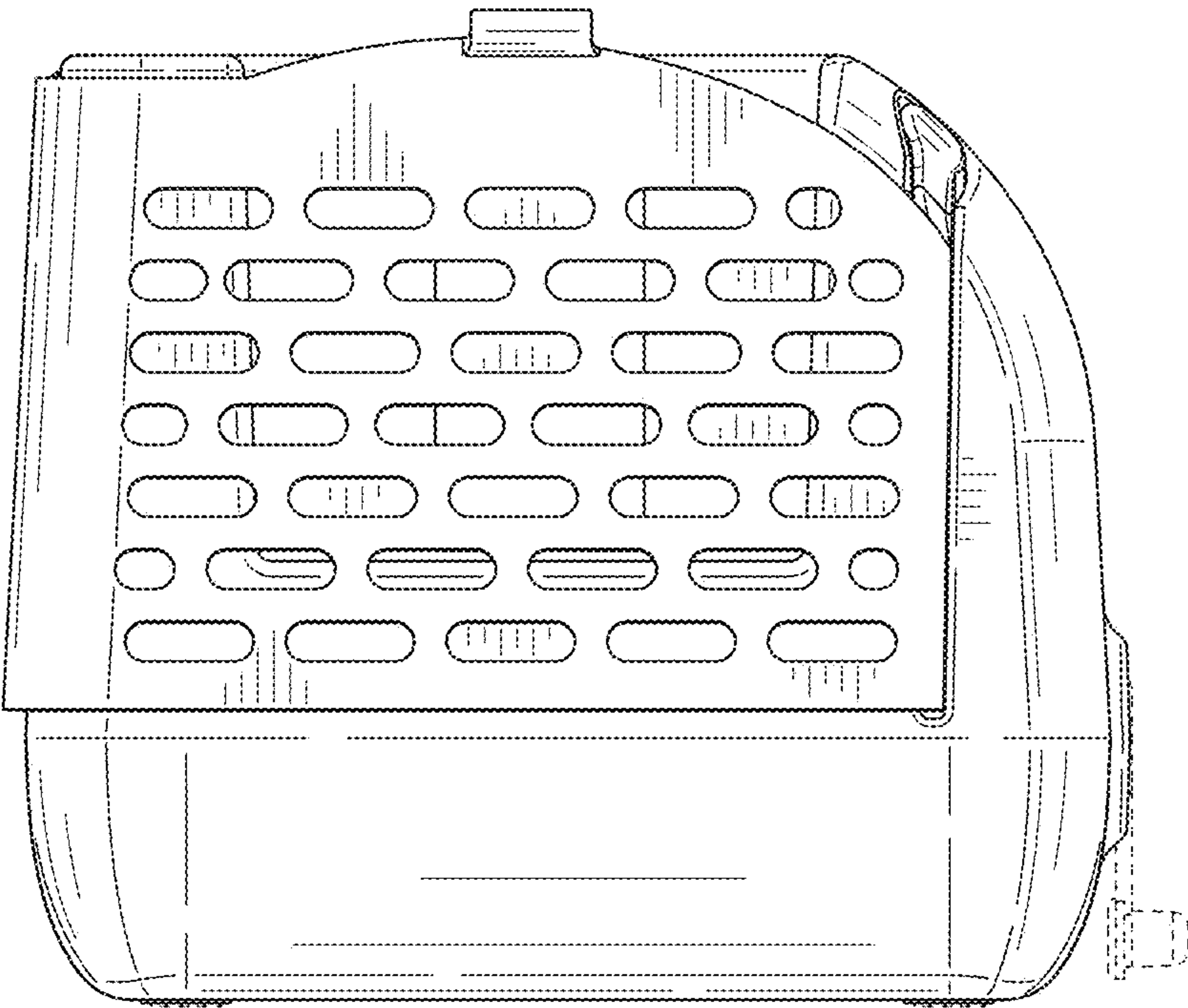


FIG. 7

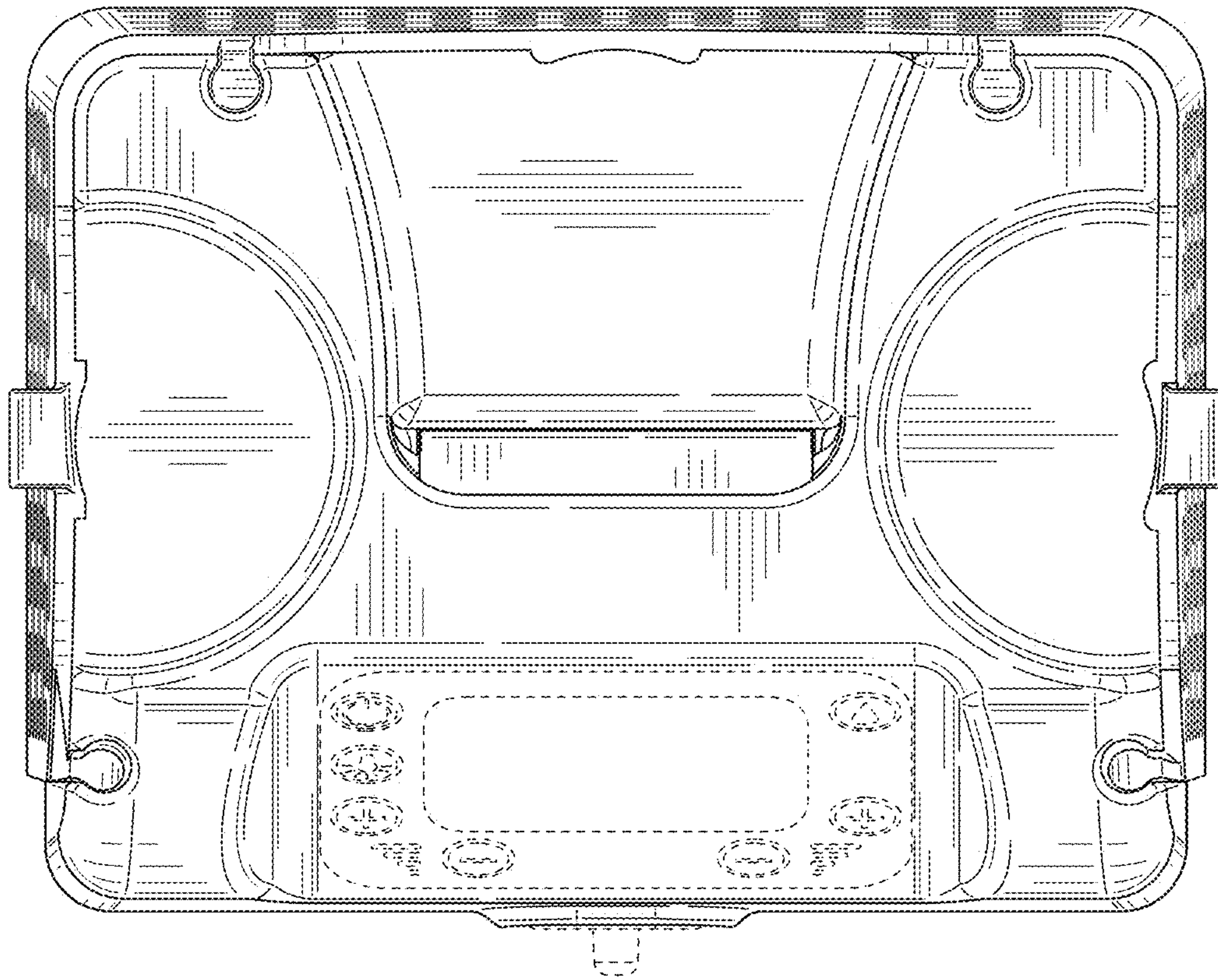


FIG. 8

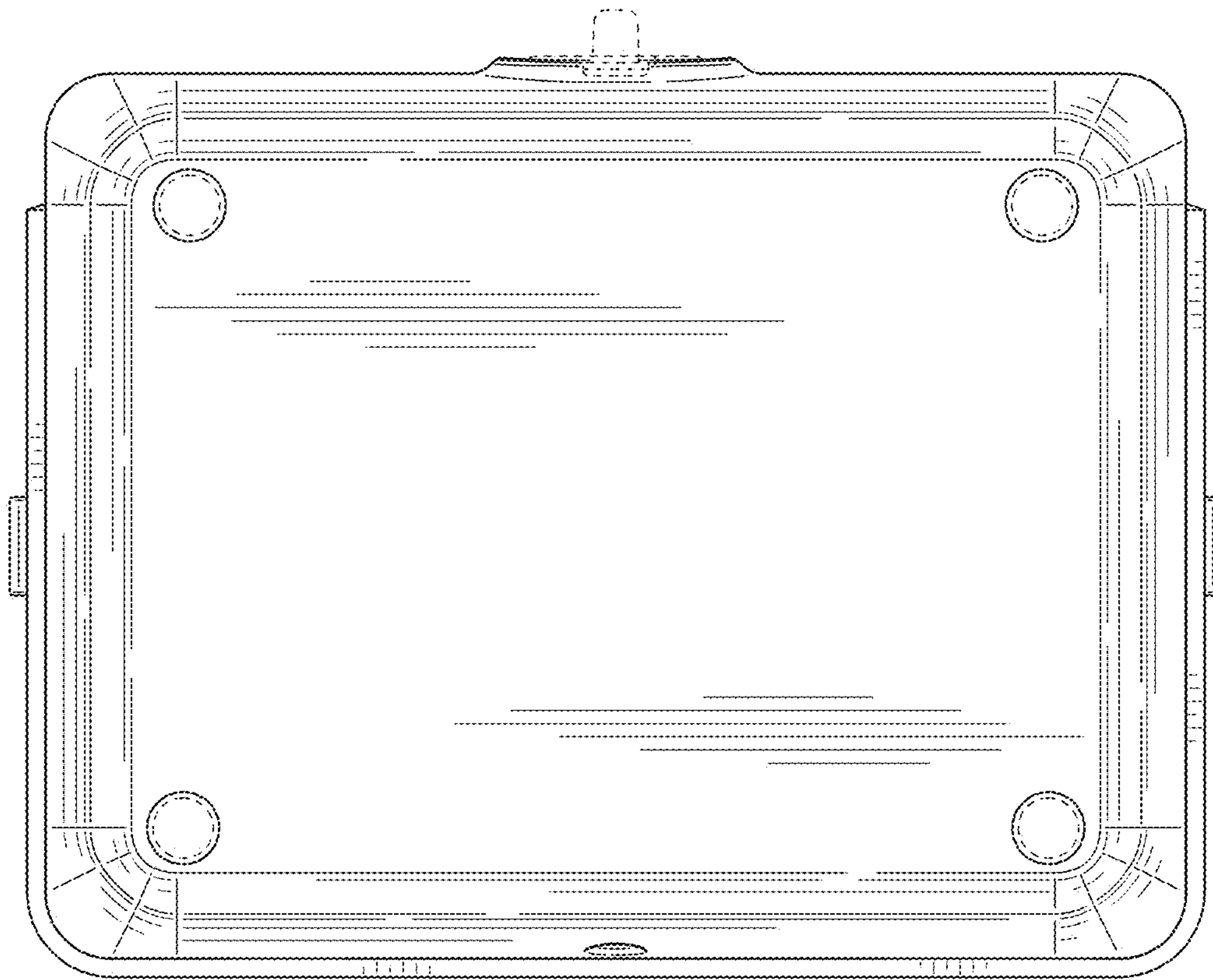


FIG. 9

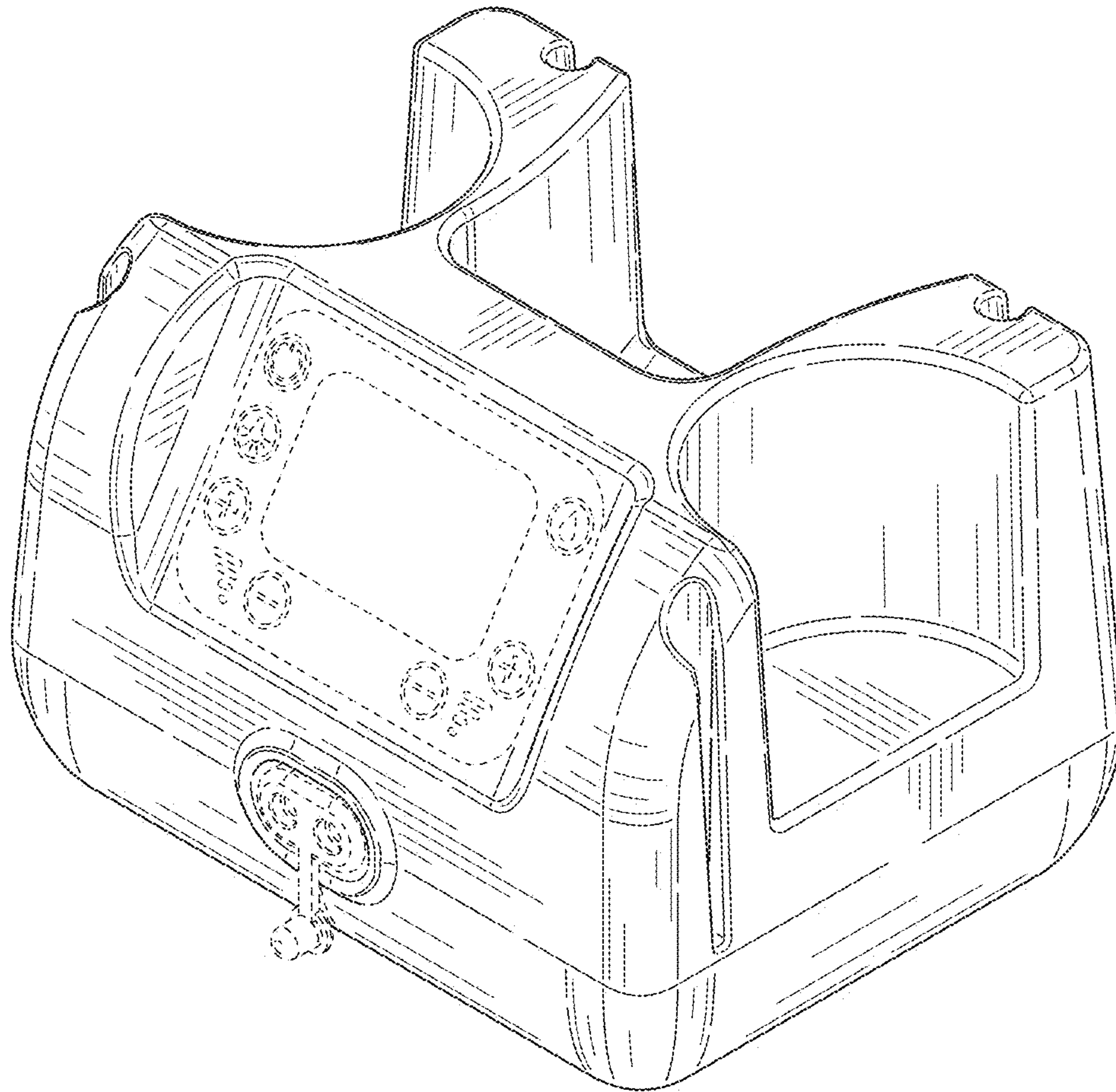


FIG. 10

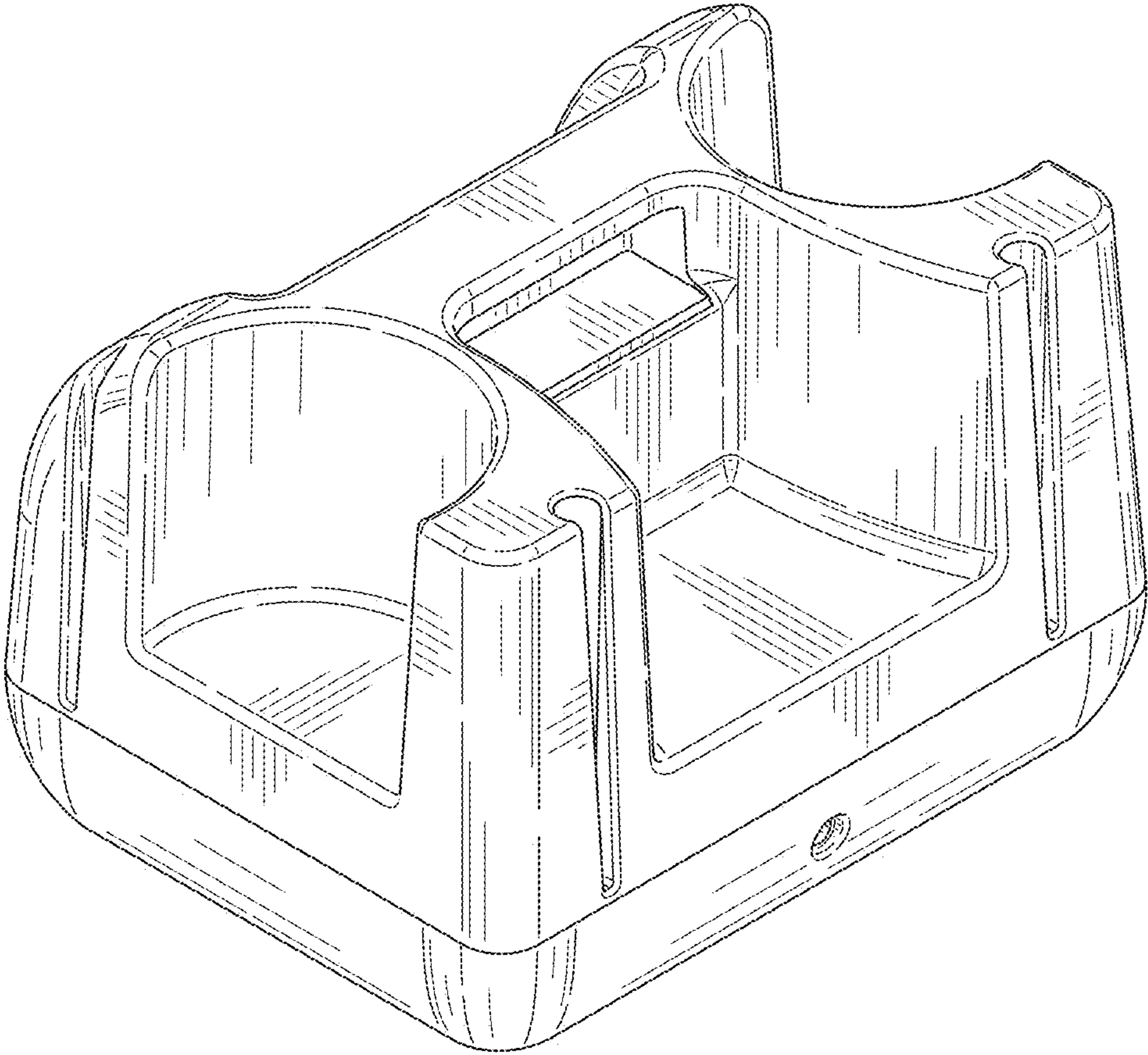


FIG. 11

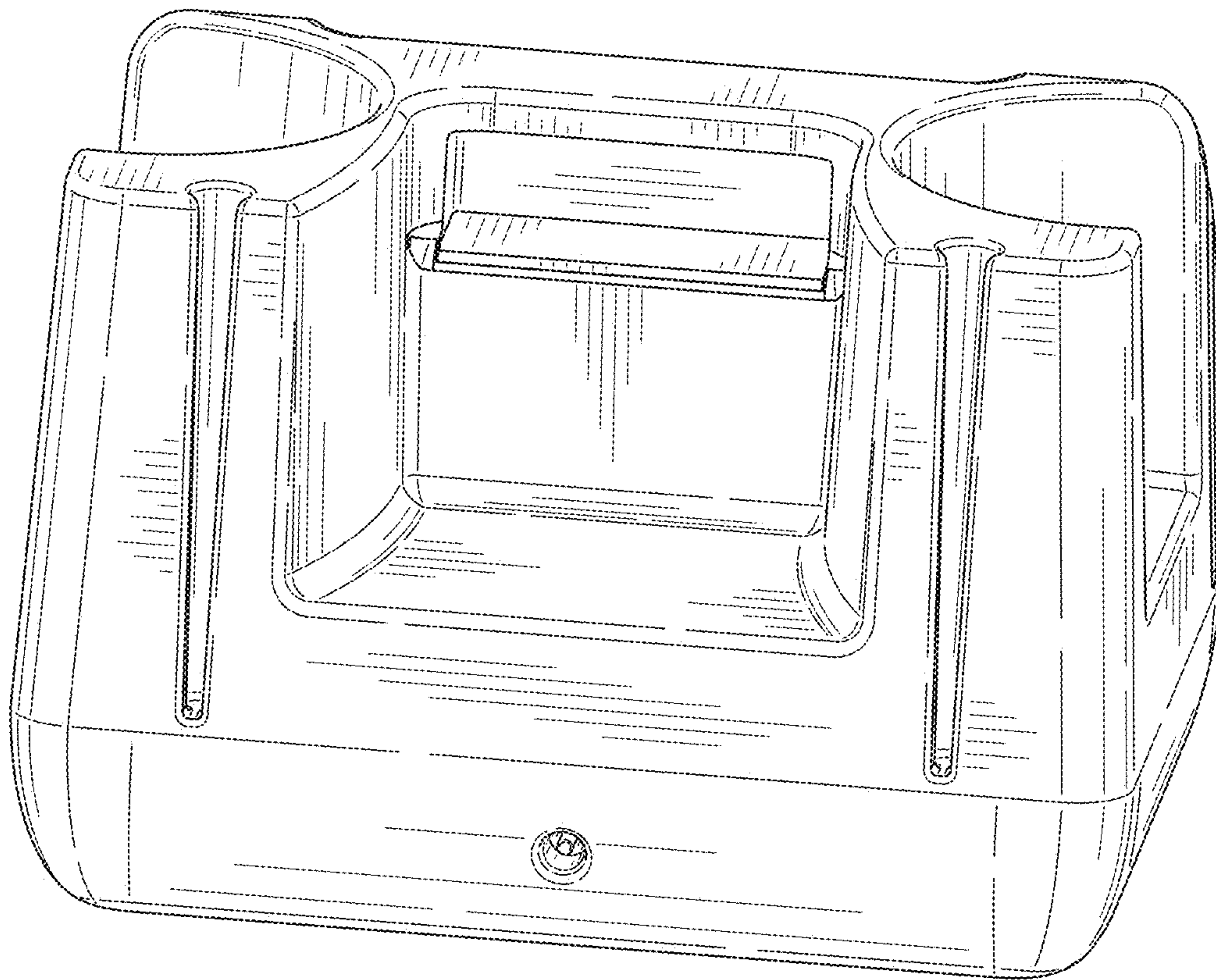


FIG. 12

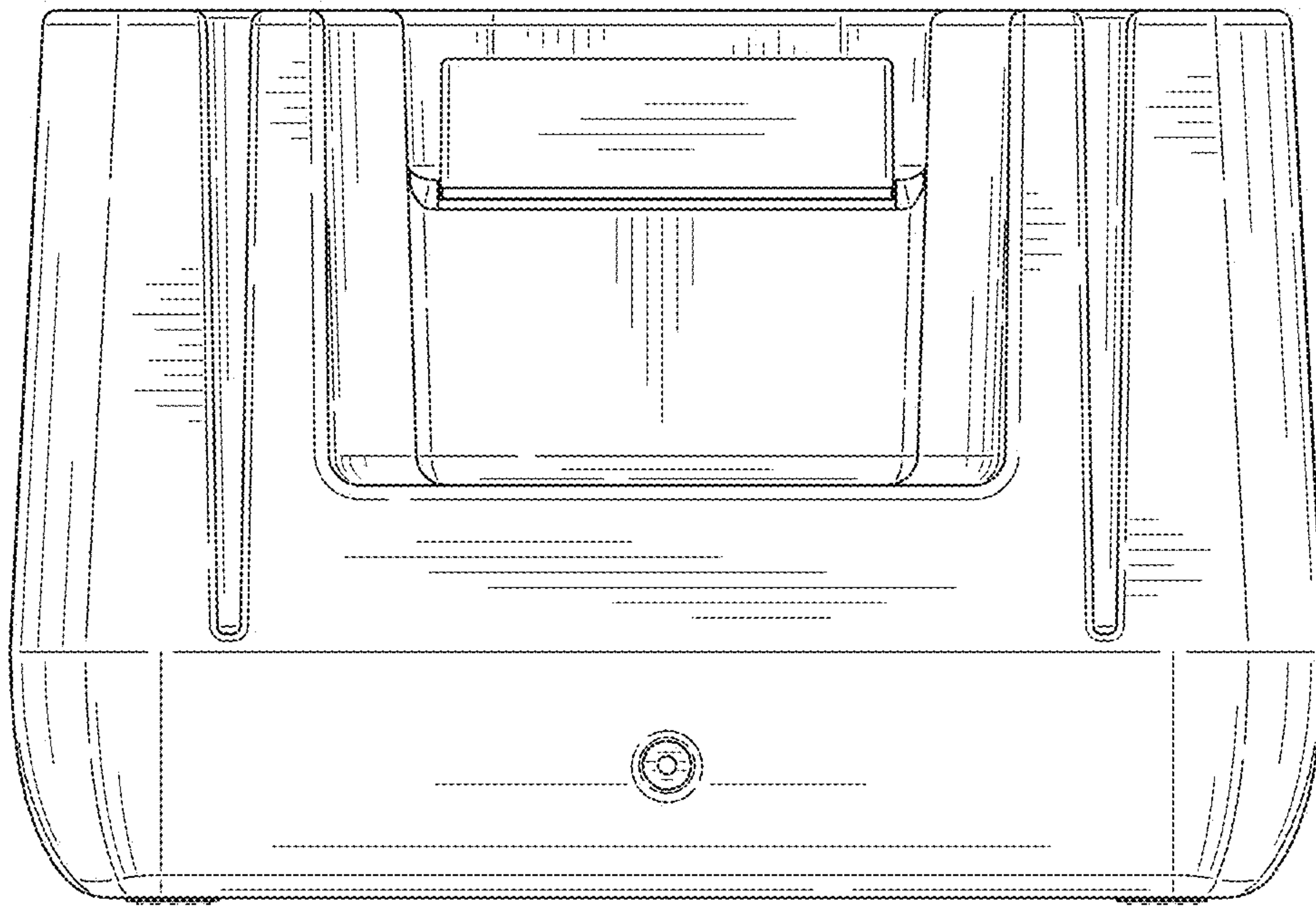


FIG. 13