



US00D905225S

(12) **United States Design Patent** (10) **Patent No.:** **US D905,225 S**
Hidalgo (45) **Date of Patent:** **** Dec. 15, 2020**

(54) **CEILING FAN BLADE IRON**
(71) Applicant: **Minka Lighting, Inc.**, Corona, CA (US)
(72) Inventor: **Rolando Hidalgo**, Yorba Linda, CA (US)
(73) Assignee: **MINKA LIGHTING, INC.**, Corona, CA (US)

D528,652 S * 9/2006 Hidalgo D23/411
D535,384 S * 1/2007 Pickett D23/411
D536,437 S * 2/2007 Pickett D23/411
D548,322 S * 8/2007 Ertze D23/411
D562,974 S * 2/2008 Pickett D23/413
D580,546 S * 11/2008 Smyth D23/411
D627,872 S * 11/2010 Pan D23/411
D800,296 S * 10/2017 Wang D23/411
D834,700 S * 11/2018 Hidalgo D23/411
D837,363 S * 1/2019 Schulzman D23/411
2010/0124504 A1 * 5/2010 Yao F04D 29/34
416/210 R

(**) Term: **15 Years**

* cited by examiner

(21) Appl. No.: **29/670,172**

Primary Examiner — Janice Hallmark

(22) Filed: **Nov. 14, 2018**

(74) *Attorney, Agent, or Firm* — Seyfarth Shaw LLP

(51) **LOC (12) Cl.** **23-04**

(57) **CLAIM**

(52) **U.S. Cl.**
USPC **D23/411**

The ornamental design for a ceiling fan blade iron, as shown and described.

(58) **Field of Classification Search**
USPC D23/370–385, 411–414; D13/179;
D15/5, 7; D8/366, 373
CPC F04D 25/088; F04D 29/38; F04D 25/06;
F04D 19/002; F04D 29/522; F04D
29/5853; F04D 29/326
See application file for complete search history.

DESCRIPTION

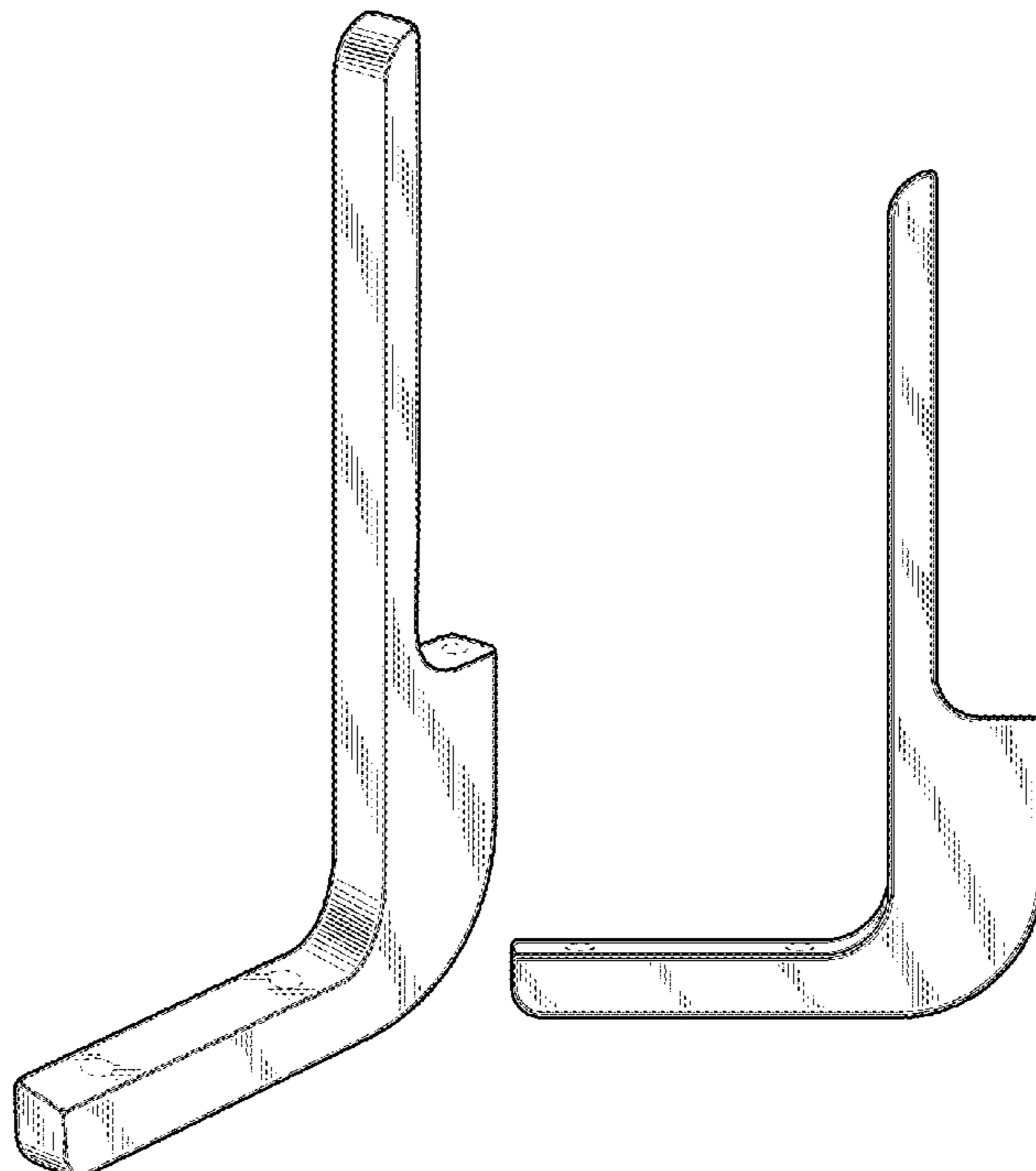
(56) **References Cited**

U.S. PATENT DOCUMENTS

D255,982 S * 7/1980 Germann D23/411
D464,870 S * 10/2002 Fraser D8/373
D477,399 S * 7/2003 Johnson D23/411
D505,723 S * 5/2005 Young D23/411
D519,629 S * 4/2006 Pickett D23/411
D522,647 S * 6/2006 Pickett D23/411
D522,648 S * 6/2006 Ertze D23/411

FIG. 1 is a perspective view of a ceiling fan blade iron in accordance with my design;
FIG. 2 is an perspective view thereof;
FIG. 3 is an top plan view thereof;
FIG. 4 is an bottom plan view thereof;
FIG. 5 is an front elevation view thereof;
FIG. 6 is an rear elevation view thereof;
FIG. 7 is an left-side elevation view thereof; and,
FIG. 8 is an right-side elevation view thereof.
The broken lines in FIG. 1 showing the ceiling fan depict environmental subject matter only and form no part of the claim; while the remaining broken lines depict parts of the ceiling fan blade iron that form no part of the claim.

1 Claim, 4 Drawing Sheets



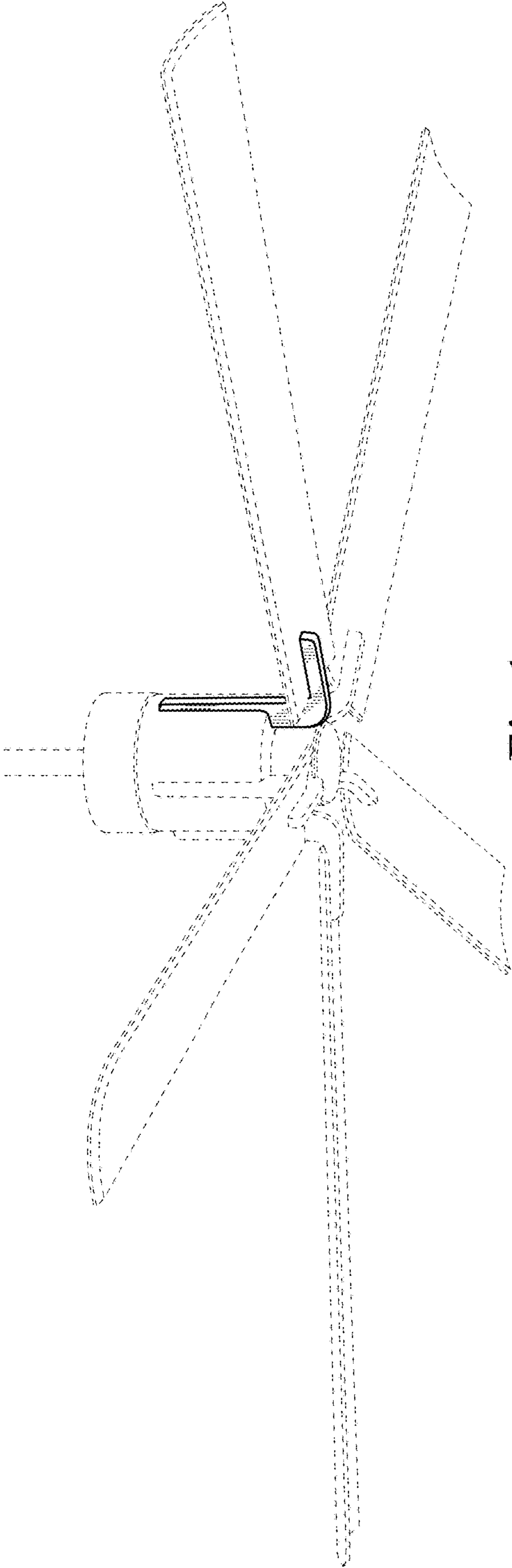


Fig. 1

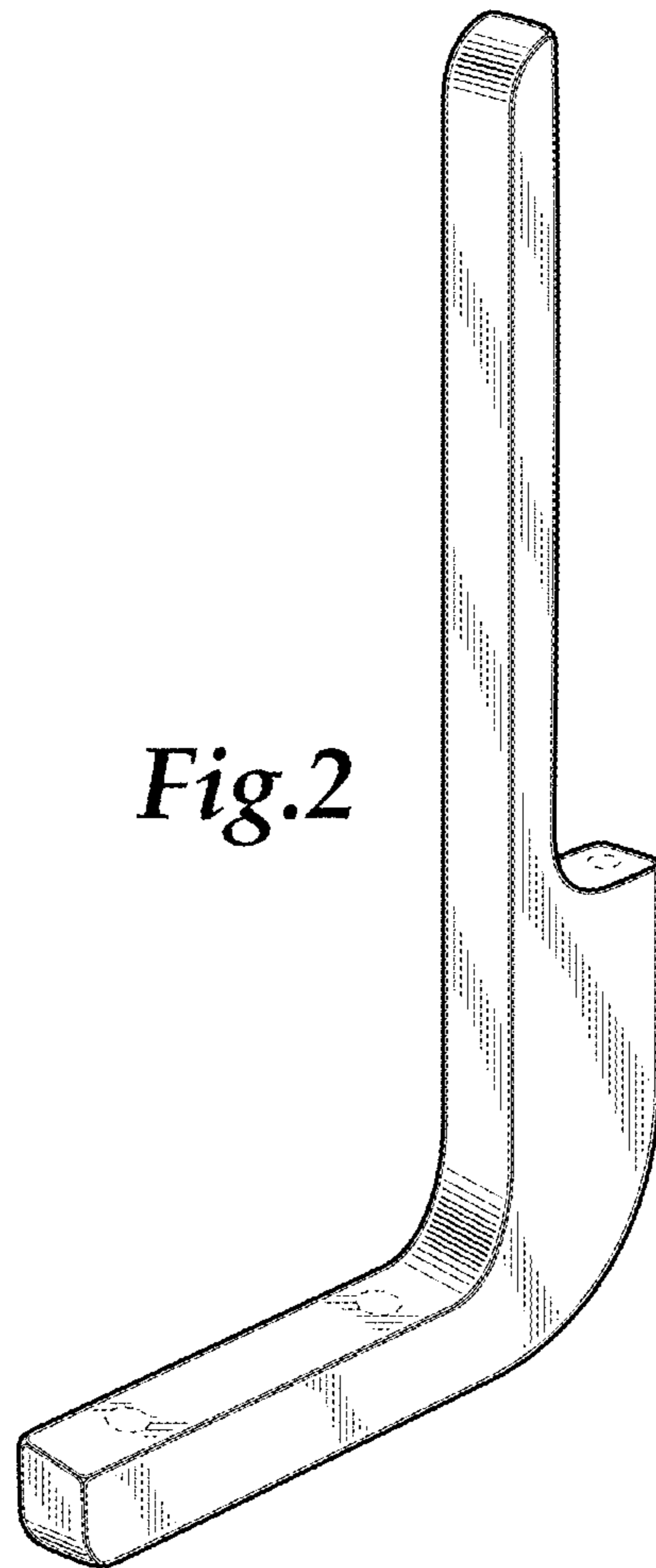


Fig. 2



Fig.3

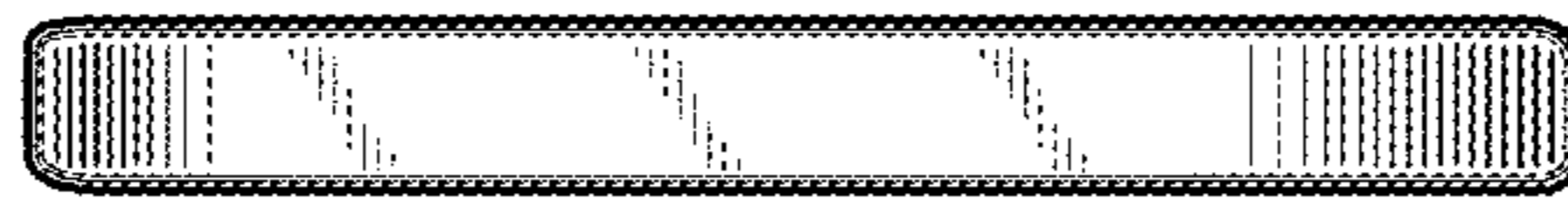


Fig.4

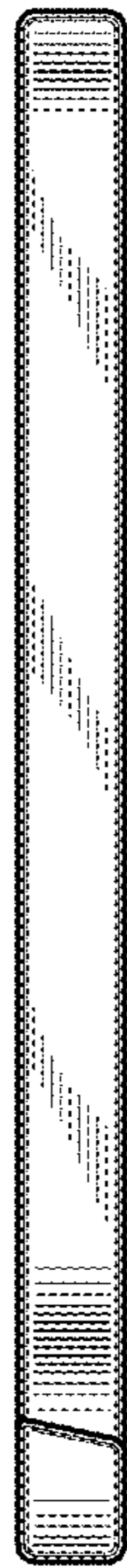


Fig.5



Fig.6

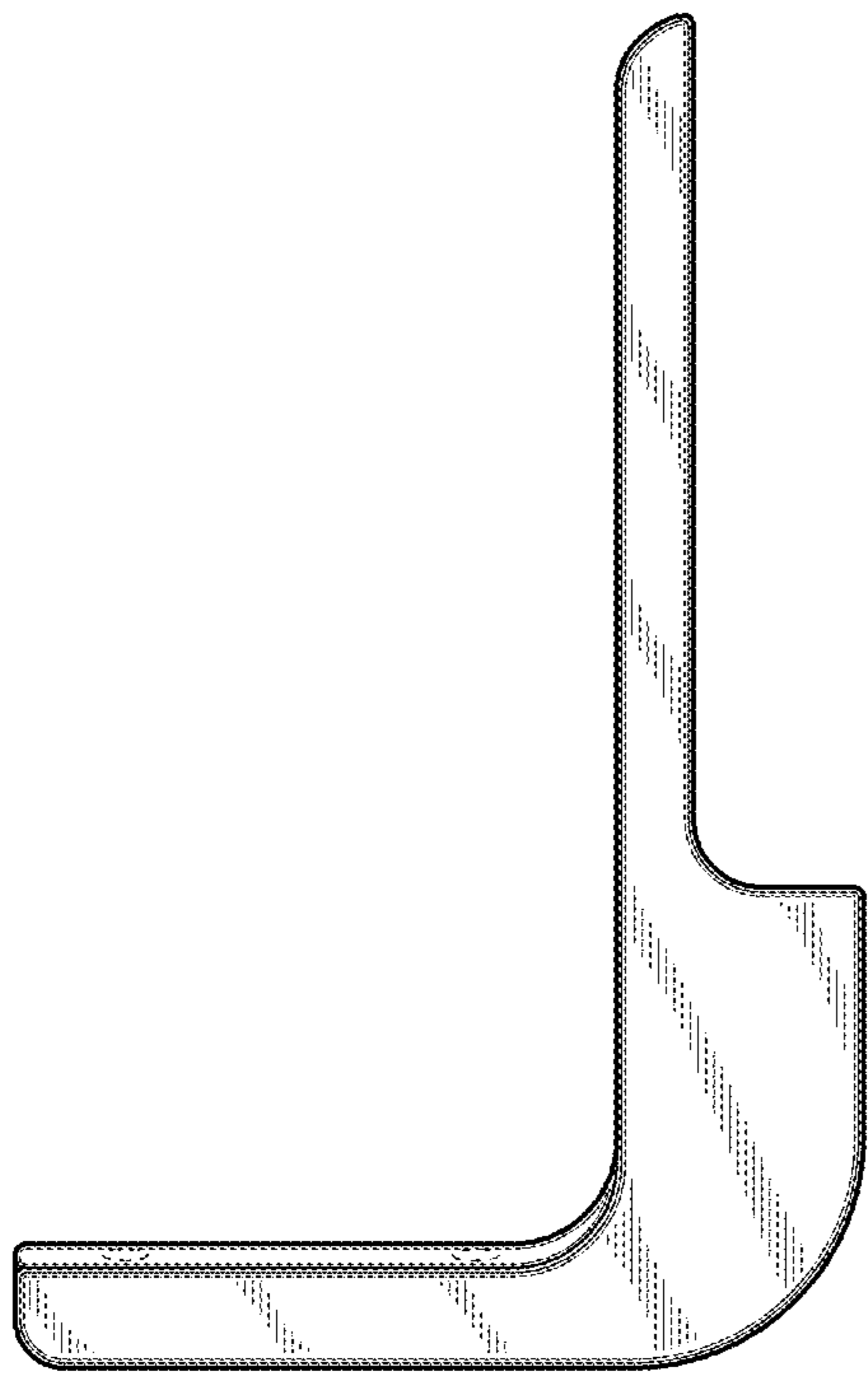


Fig.7

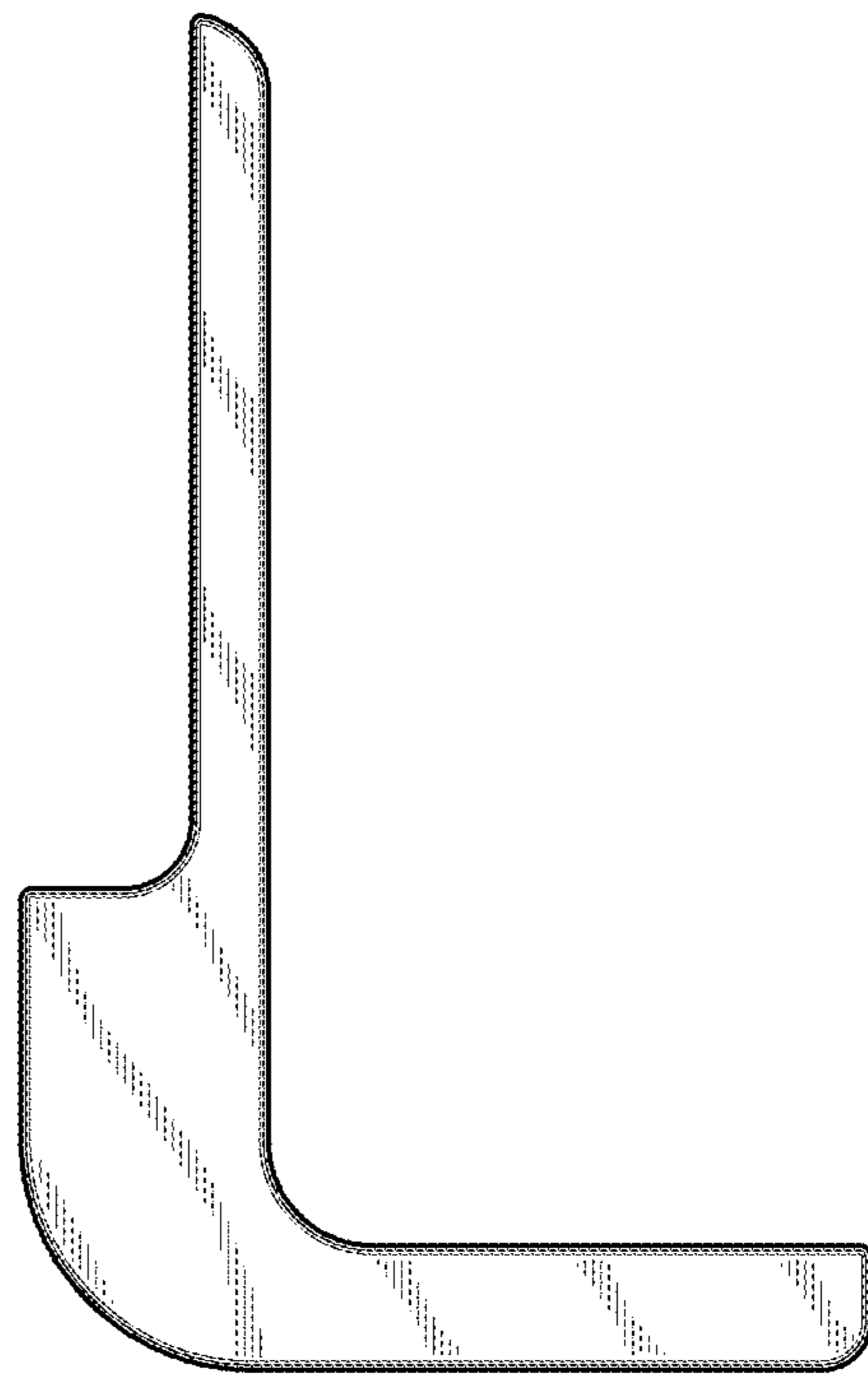


Fig.8