



US00D905223S

(12) **United States Design Patent**
Münz et al.

(10) **Patent No.:** **US D905,223 S**
(45) **Date of Patent:** **** Dec. 15, 2020**

(54) **AXIAL FAN FOR TRANSPORTATION**
(71) Applicant: **ebm-papst Mulfingen GmbH & Co. KG**, Mulfingen (DE)
(72) Inventors: **Martin Münz**, Mulfingen-Hollenbach (DE); **Florian Friedlein**, Ravenstein-Hüngheim (DE)
(73) Assignee: **ebm-papst Mulfingen GmbH & Co. KG**, Mulfingen (DE)

D733,861 S * 7/2015 Haaf D23/370
D802,113 S * 11/2017 Hoss D23/370
D810,911 S * 2/2018 Hoss D23/370
D814,008 S * 3/2018 Munz D23/370
D820,966 S * 6/2018 De Filippis D23/370
D847,967 S * 5/2019 Hernandez D23/370
2015/0219117 A1* 8/2015 Heli F04D 29/526
415/178
2015/0226224 A1* 8/2015 De Filippis F04D 25/0693
417/423.14
2015/0330411 A1* 11/2015 Heli F04D 29/667
415/208.2

(**) Term: **15 Years**

* cited by examiner

(21) Appl. No.: **29/684,343**

Primary Examiner — Janice Hallmark

(22) Filed: **Mar. 20, 2019**

(74) *Attorney, Agent, or Firm* — Harness, Dickey & Pierce, P.L.C.

(30) **Foreign Application Priority Data**

Oct. 12, 2018 (EM) 005797081-0001

(51) **LOC (12) Cl.** **23-04**

(52) **U.S. Cl.**
USPC **D23/370**

(58) **Field of Classification Search**
USPC D23/370-385, 411-414; D13/179;
D15/5, 7

CPC F04D 25/088; F04D 29/38; F04D 25/06;
F04D 19/002; F04D 29/522; F04D
29/5853; F04D 29/326; F01P 5/02
See application file for complete search history.

(57) **CLAIM**

The ornamental design for an axial fan for transportation, as shown and described.

(56) **References Cited**

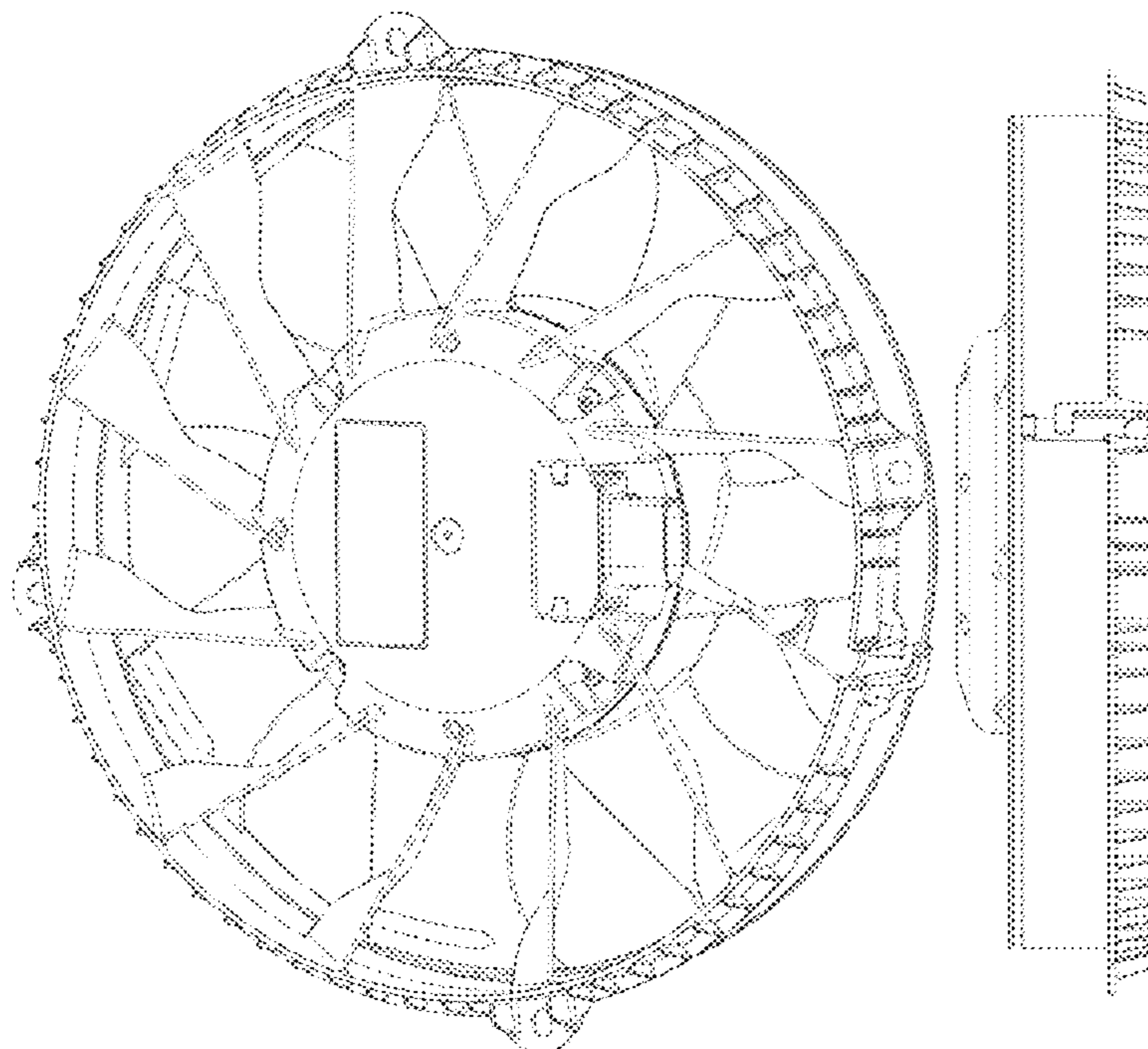
U.S. PATENT DOCUMENTS

D297,761 S * 9/1988 Shiraki D23/370
D576,567 S * 9/2008 Otsuki D13/179

DESCRIPTION

FIG. 1 is a front perspective view of an axial fan for transportation showing our new design; FIG. 2 is a right side view thereof; FIG. 3 is a rear view thereof; FIG. 4 is a left side view thereof; FIG. 5 is a top side view thereof; FIG. 6 is a front view thereof; and, FIG. 7 is a bottom side view thereof.

1 Claim, 7 Drawing Sheets



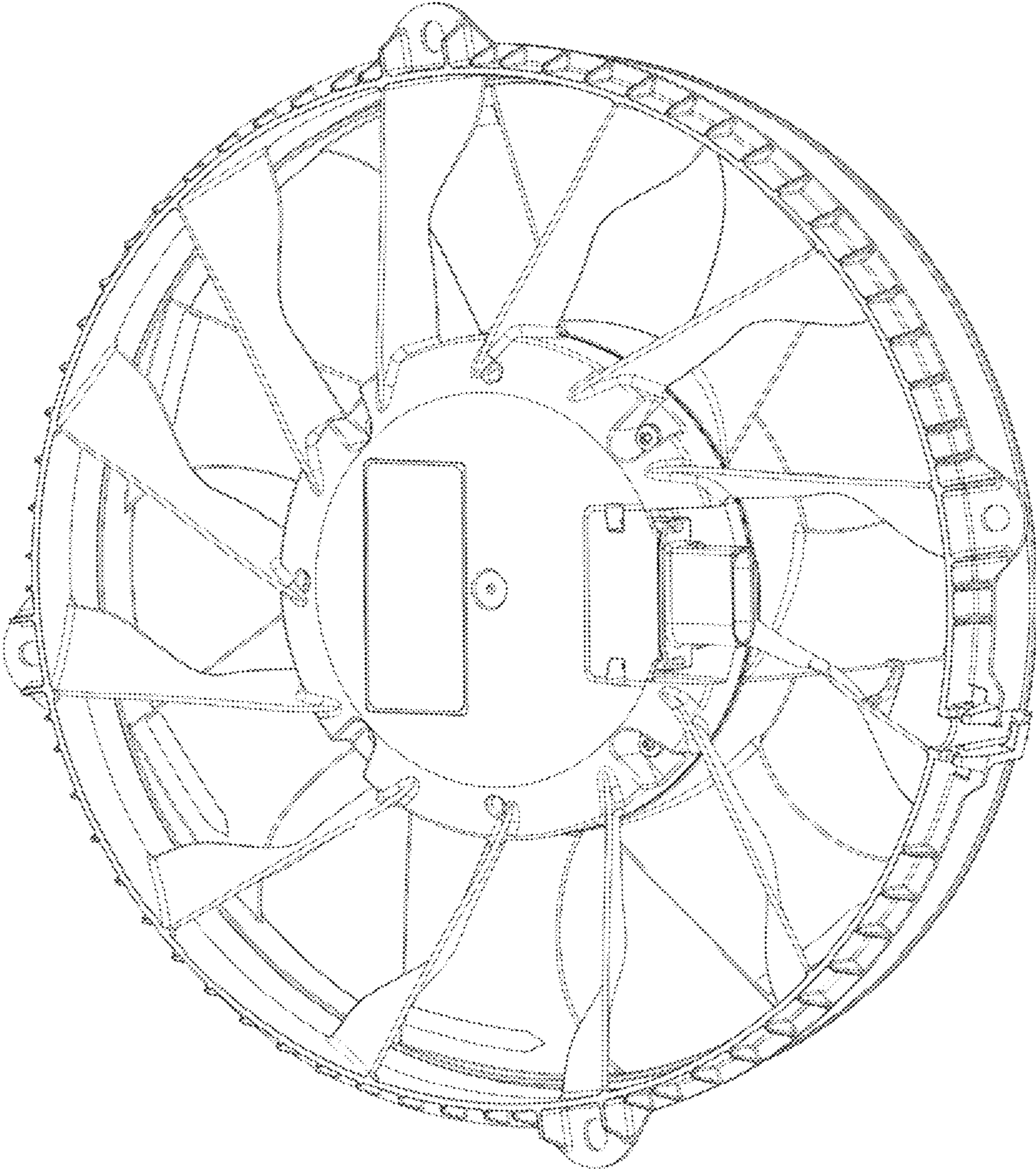


FIG - 1

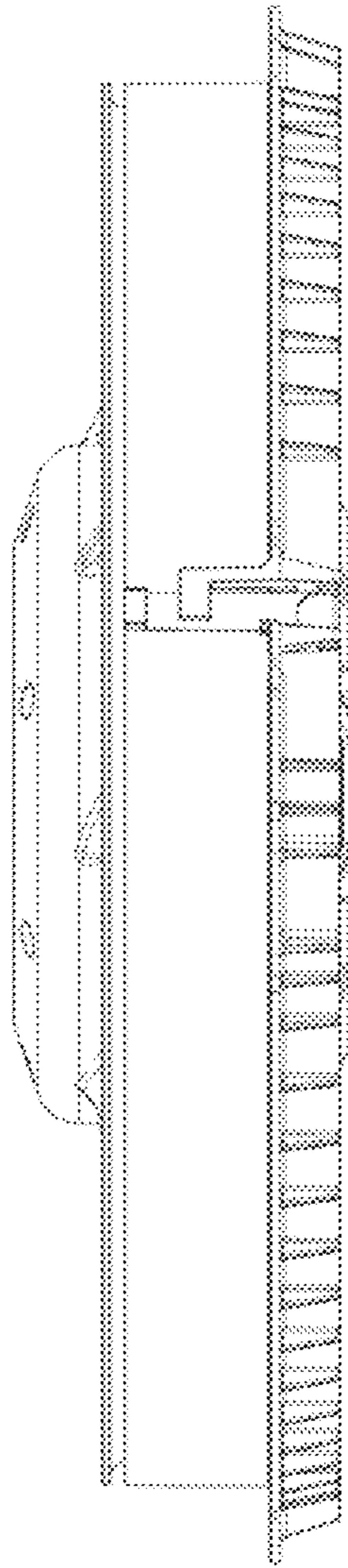


FIG - 2

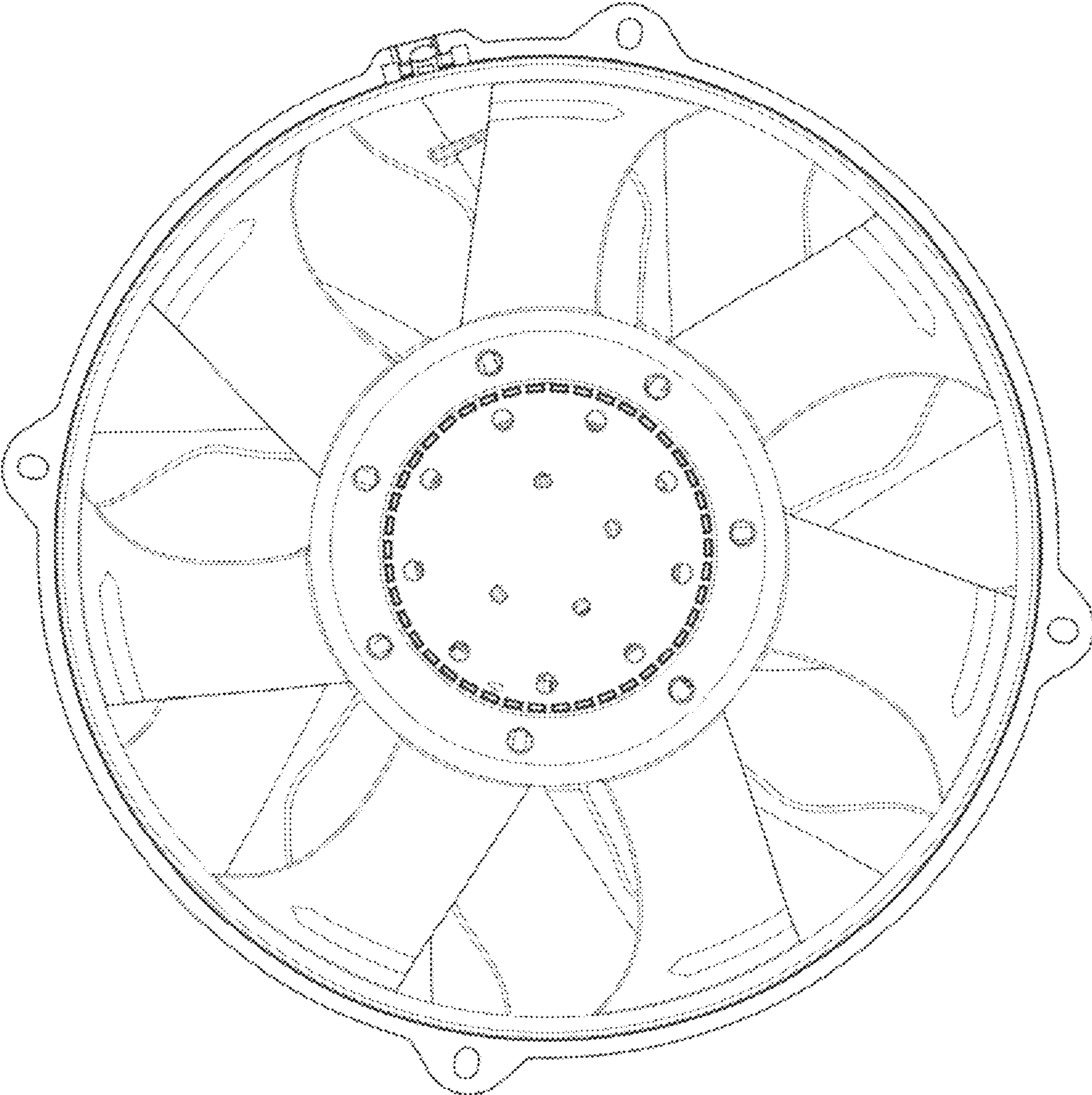


FIG - 3

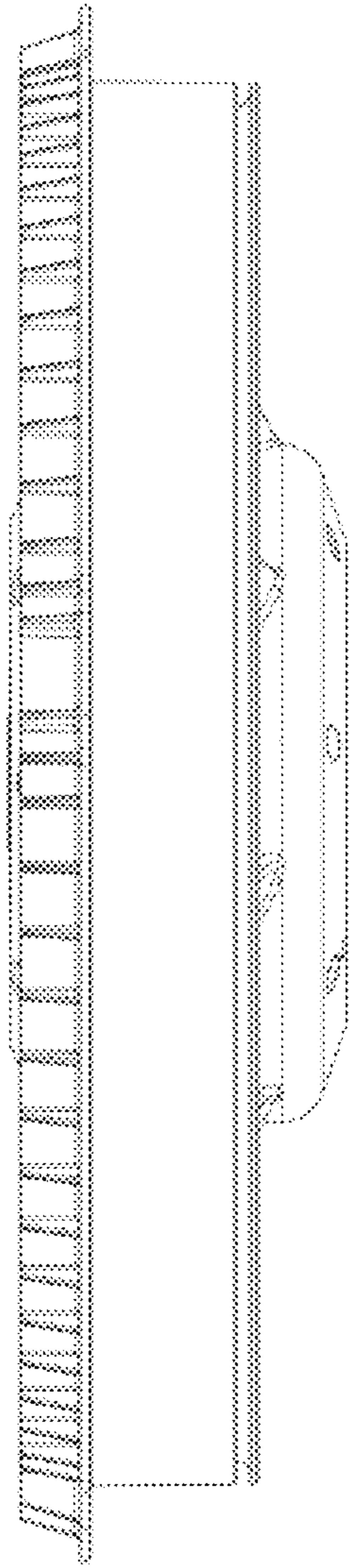


FIG - 4

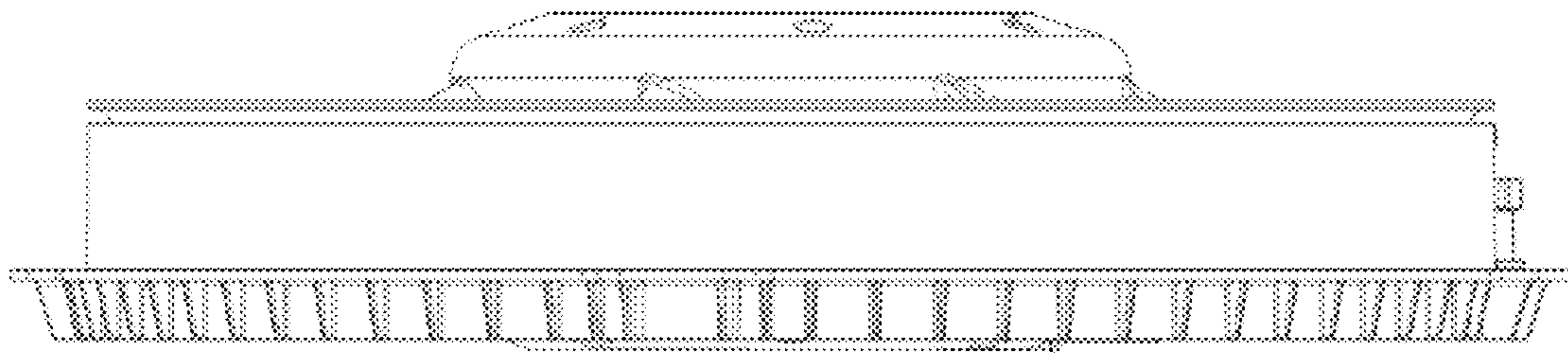


FIG - 5

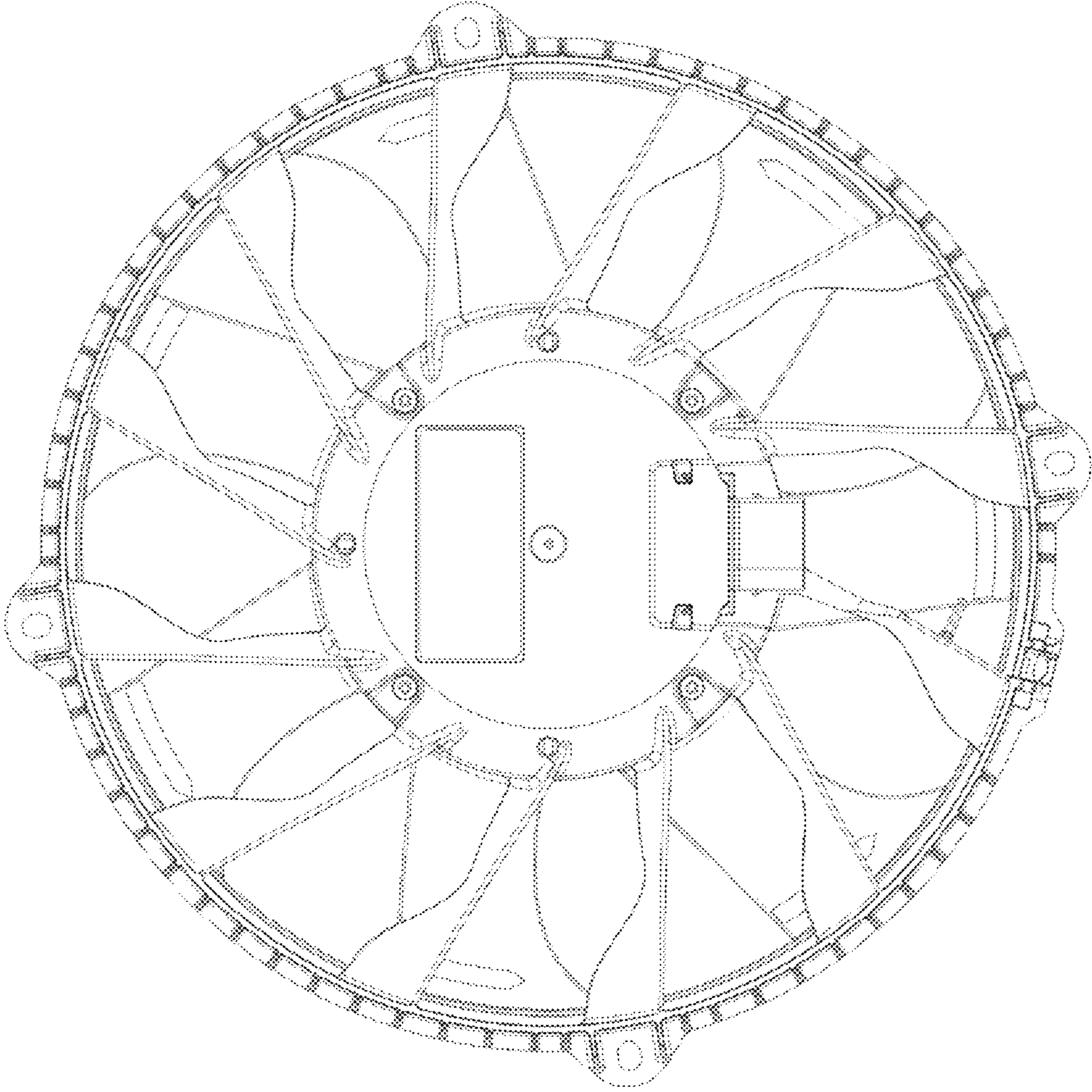


FIG - 6

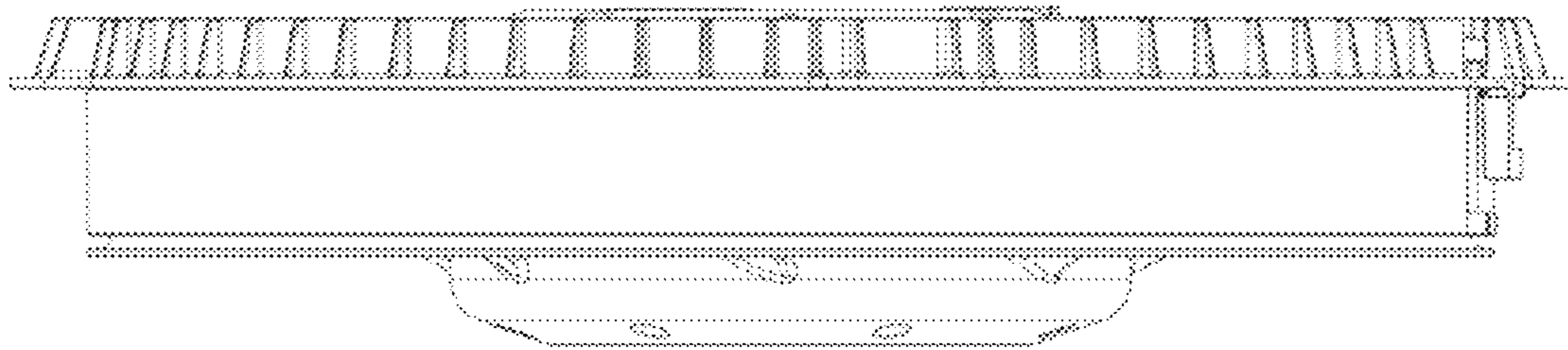


FIG - 7